



US00D585151S

(12) **United States Design Patent**
Izardel

(10) **Patent No.:** **US D585,151 S**
(45) **Date of Patent:** **** Jan. 20, 2009**

(54) **SOLAR SHED LIGHT**

(75) Inventor: **Lazar Izardel**, Tel Aviv (IL)

(73) Assignee: **Gamasonic Ltd.**, Tel Aviv (IL)

(**) Term: **14 Years**

(21) Appl. No.: **29/298,946**

(22) Filed: **Dec. 17, 2007**

(51) **LOC (9) Cl.** **26-05**

(52) **U.S. Cl.** **D26/60**

(58) **Field of Classification Search** D26/60-72,
D26/85; 362/102, 240, 157-159, 183, 101,
362/431, 367

See application file for complete search history.

(56) **References Cited**

U.S. PATENT DOCUMENTS

D232,858 S *	9/1974	Husby	D26/71
D468,044 S *	12/2002	Lam	D26/72
D557,435 S *	12/2007	Hon et al.	D26/63
2004/0246723 A1 *	12/2004	Graves et al.	362/276

* cited by examiner

Primary Examiner—T. Chase Nelson

Assistant Examiner—Barbara Fox

(74) *Attorney, Agent, or Firm*—Derek Patent Ltd; David Klein

(57) **CLAIM**

The ornamental design for a solar shed light, as shown and described.

DESCRIPTION

The nature and intended use of the article in which the design is embodied is that of a solar powered light for use with a shed and the like.

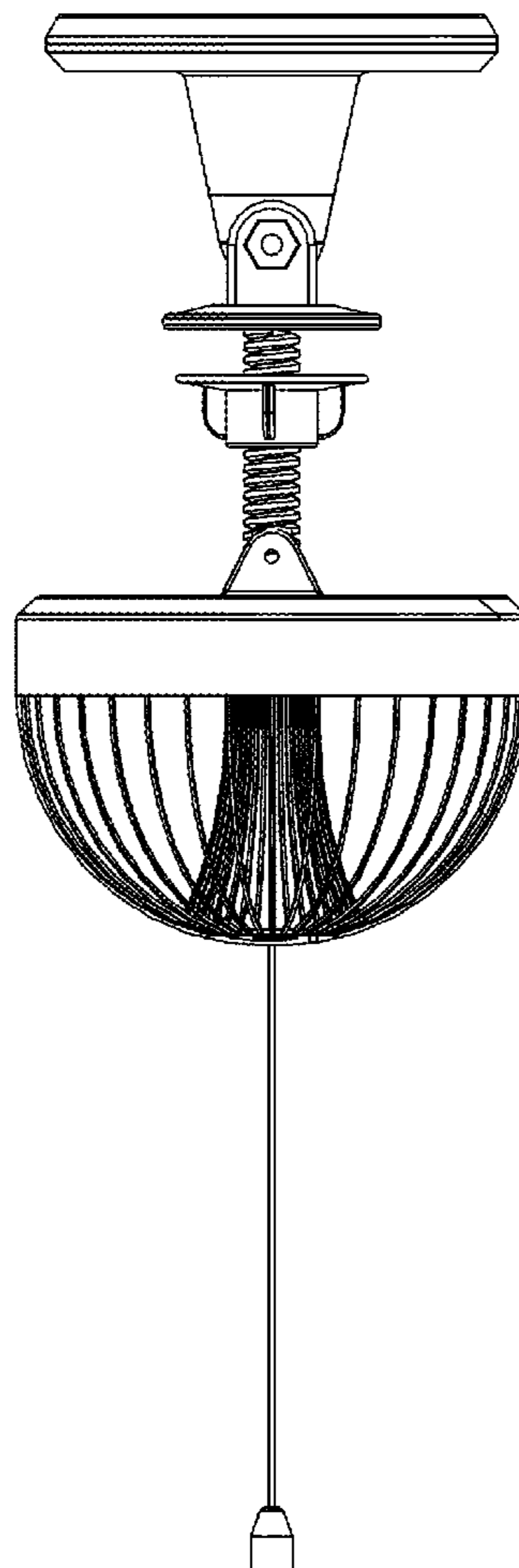
FIG. 1 is a front view of a solar shed light, showing my new design;

FIG. 2 is a perspective view thereof;

FIG. 3 is a side view thereof; and,

FIG. 4 is a top view thereof;

1 Claim, 4 Drawing Sheets



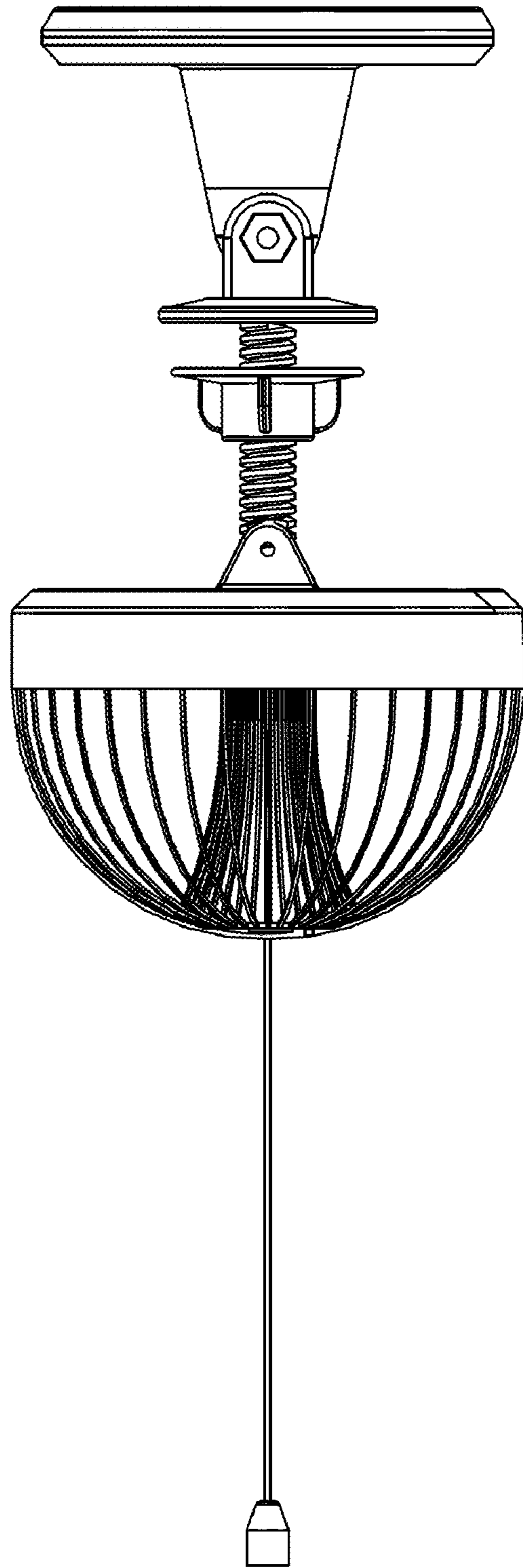


FIG.1

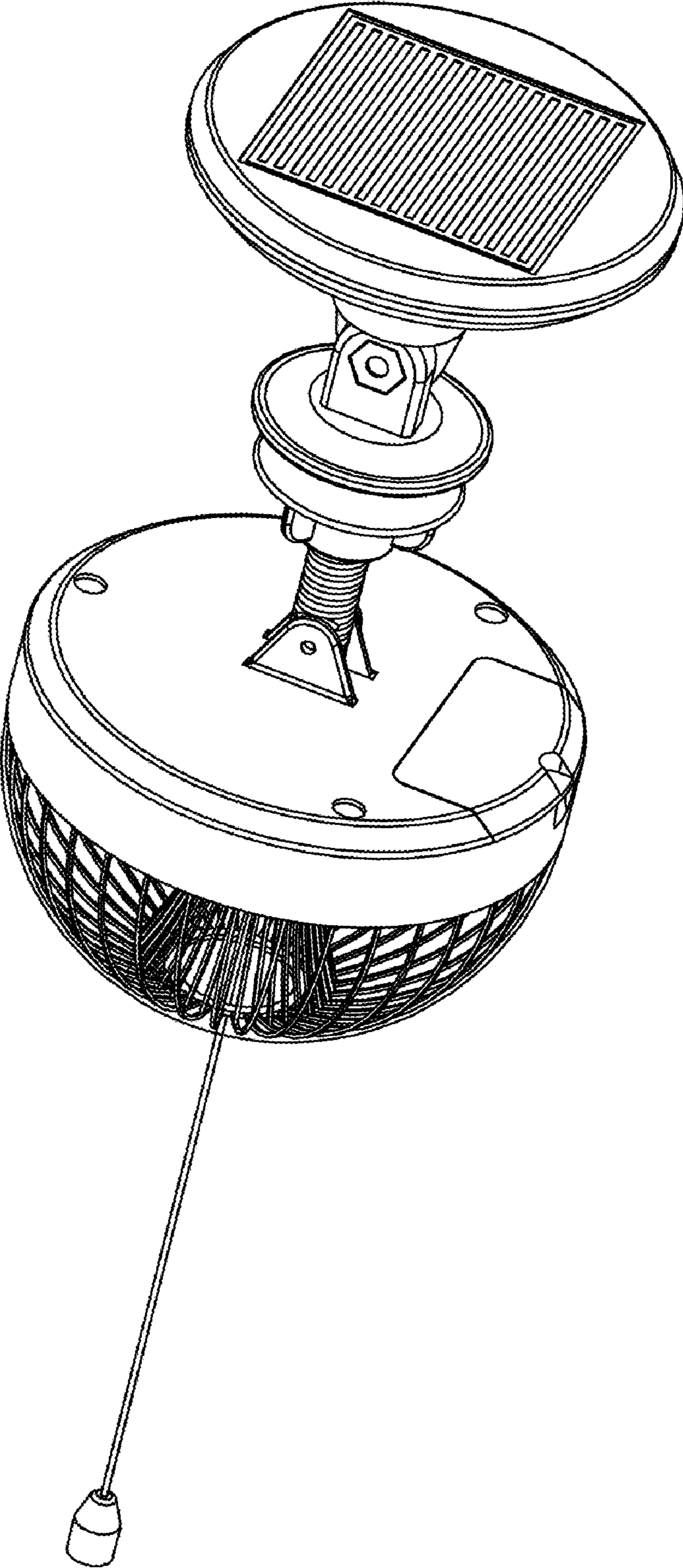


FIG.2

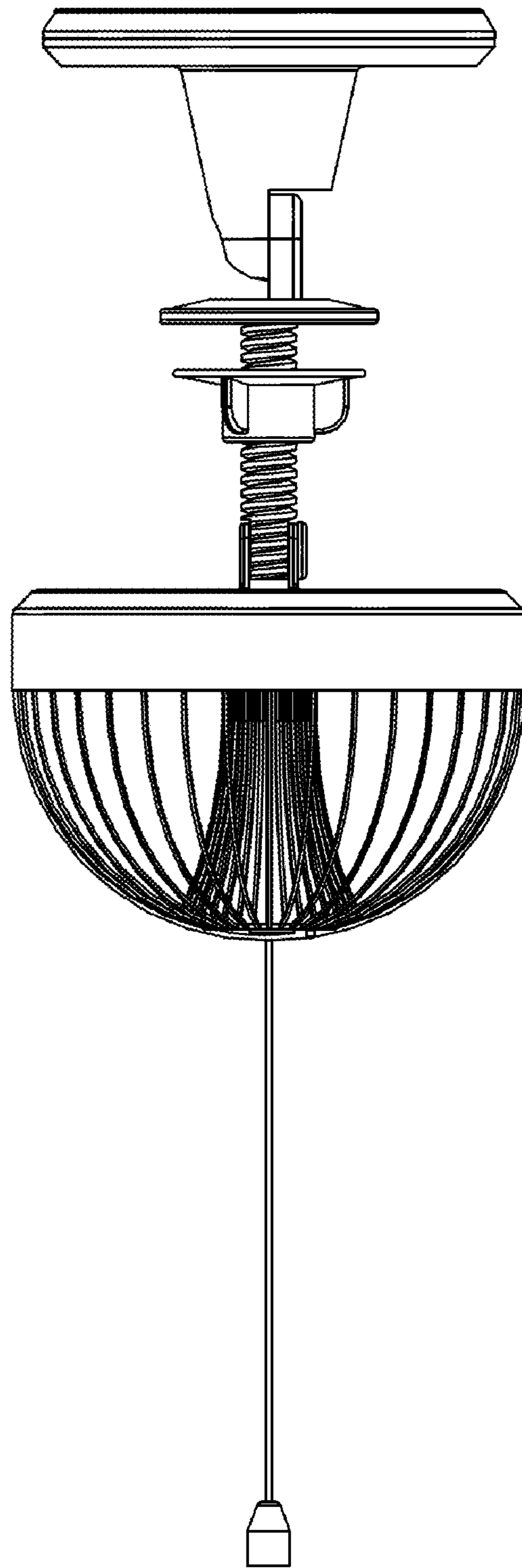


FIG. 3

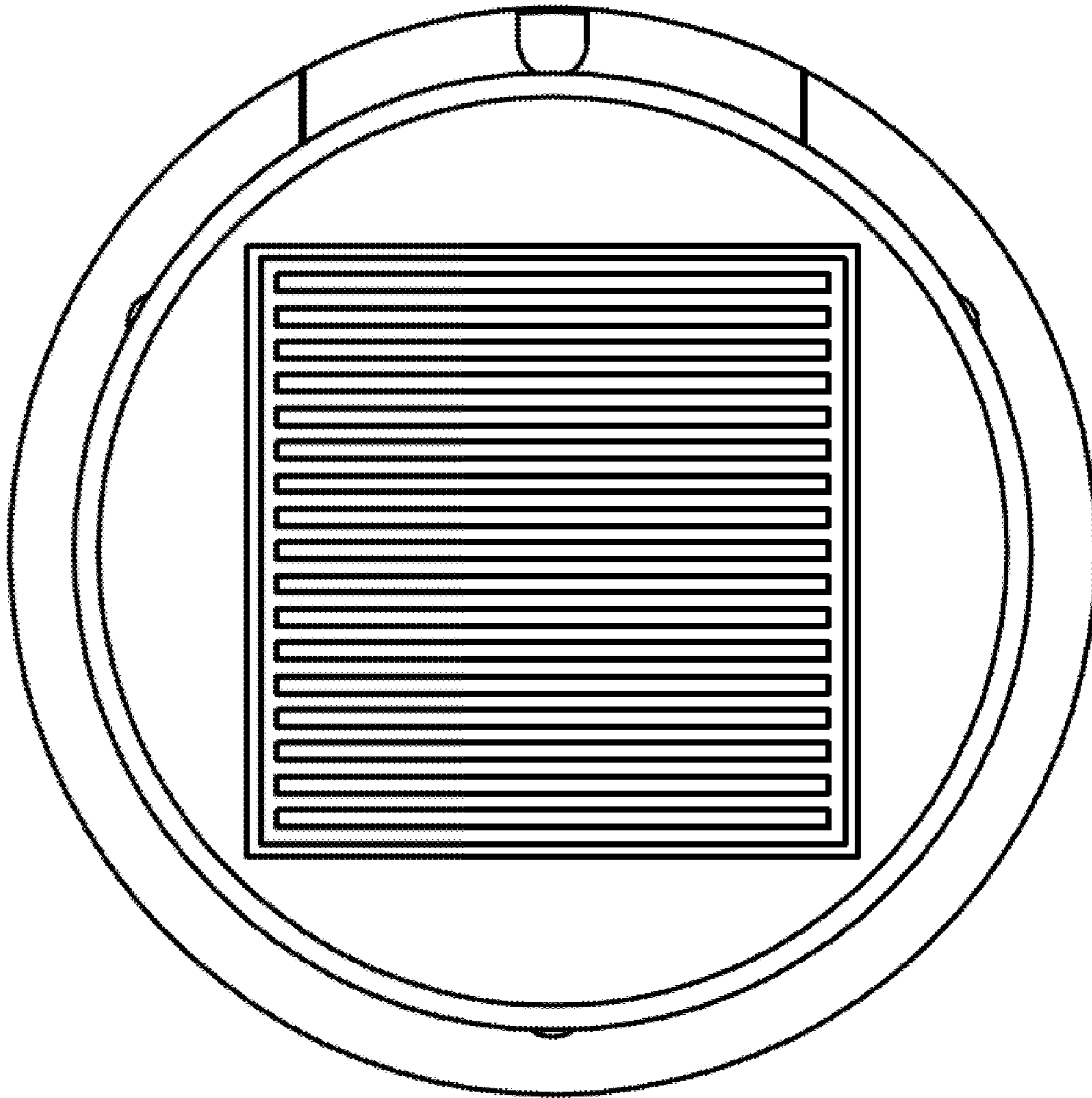


FIG. 4