



US00D585150S

(12) **United States Design Patent**
Hung

(10) **Patent No.:** **US D585,150 S**
(45) **Date of Patent:** **** Jan. 20, 2009**

(54) **HEADLIGHT FOR BEACH VEHICLES**

D569,015 S * 5/2008 Tsukui et al. D26/28
D573,734 S * 7/2008 Watanabe et al. D26/28

(75) Inventor: **Mu-Chen Hung**, Kaohsiung Hsien (TW)

* cited by examiner

(73) Assignee: **Taiwan Golden Bee Co., Ltd.**,
Kaohsiung Hsien (TW)

Primary Examiner—Marcus A. Jackson
(74) *Attorney, Agent, or Firm*—Leong C. Lei

(**) Term: **14 Years**

(57) **CLAIM**

(21) Appl. No.: **29/323,506**

The ornamental design for a headlight for beach vehicles, as shown and described.

(22) Filed: **Aug. 27, 2008**

(51) **LOC (9) Cl.** **26-02**

(52) **U.S. Cl.** **D26/28**

(58) **Field of Classification Search** D26/1-4;
313/313, 315, 317, 318, 493; 315/52, 56,
315/57, 58

See application file for complete search history.

DESCRIPTION

FIG. 1 is a perspective view of a headlight for beach vehicles showing my new design;

FIG. 2 is a front elevational view thereof;

FIG. 3 is a rear elevational view thereof;

FIG. 4 is a left side elevational view thereof;

FIG. 5 is a right side elevational view thereof;

FIG. 6 is a top plan view thereof; and,

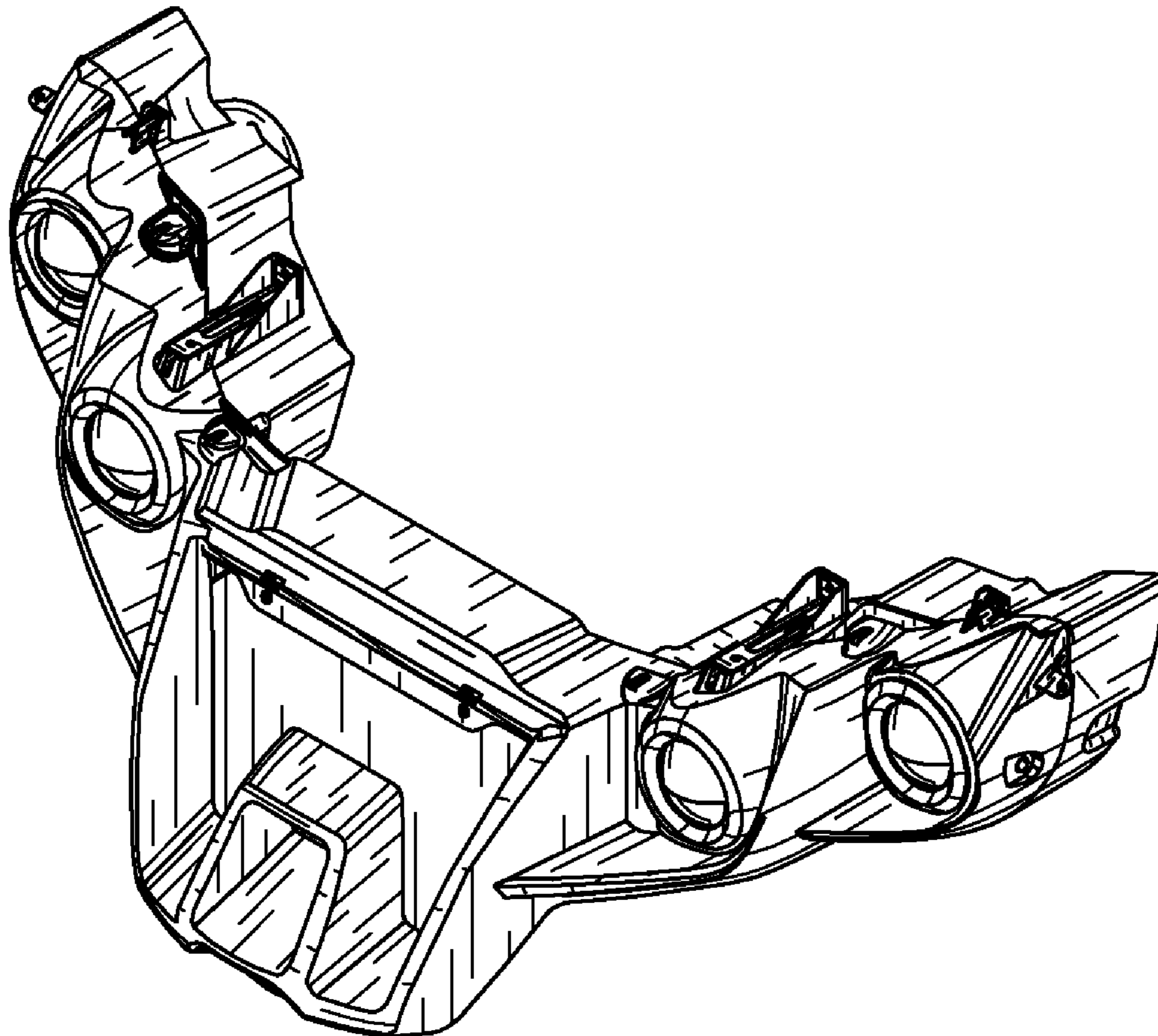
FIG. 7 is a bottom plan view thereof.

(56) **References Cited**

U.S. PATENT DOCUMENTS

D552,274 S * 10/2007 Tanaka et al. D26/28
D563,000 S * 2/2008 Sanschagrin et al. D26/28
D568,501 S * 5/2008 Nakazawa et al. D26/28

1 Claim, 4 Drawing Sheets



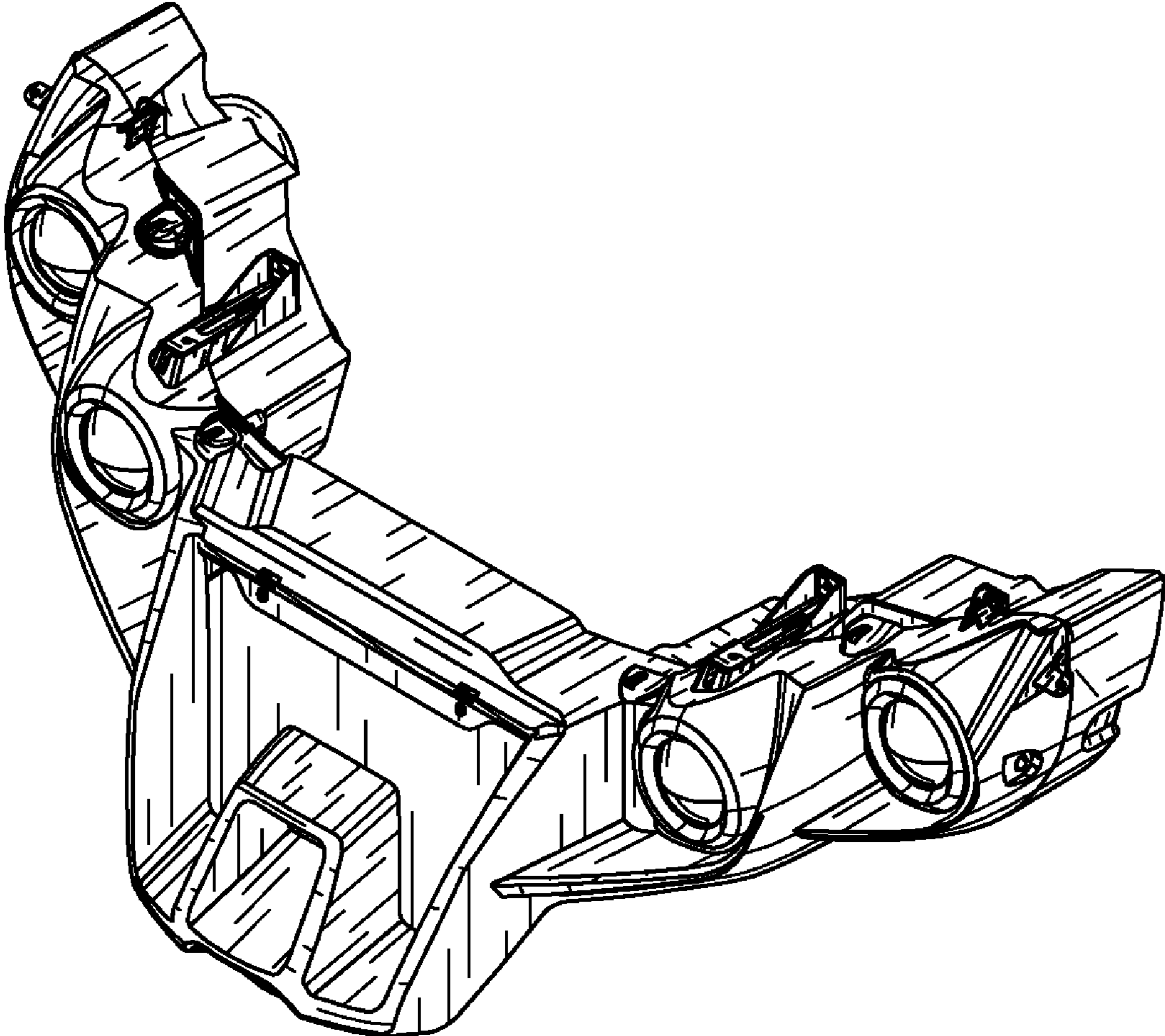


FIG. 1

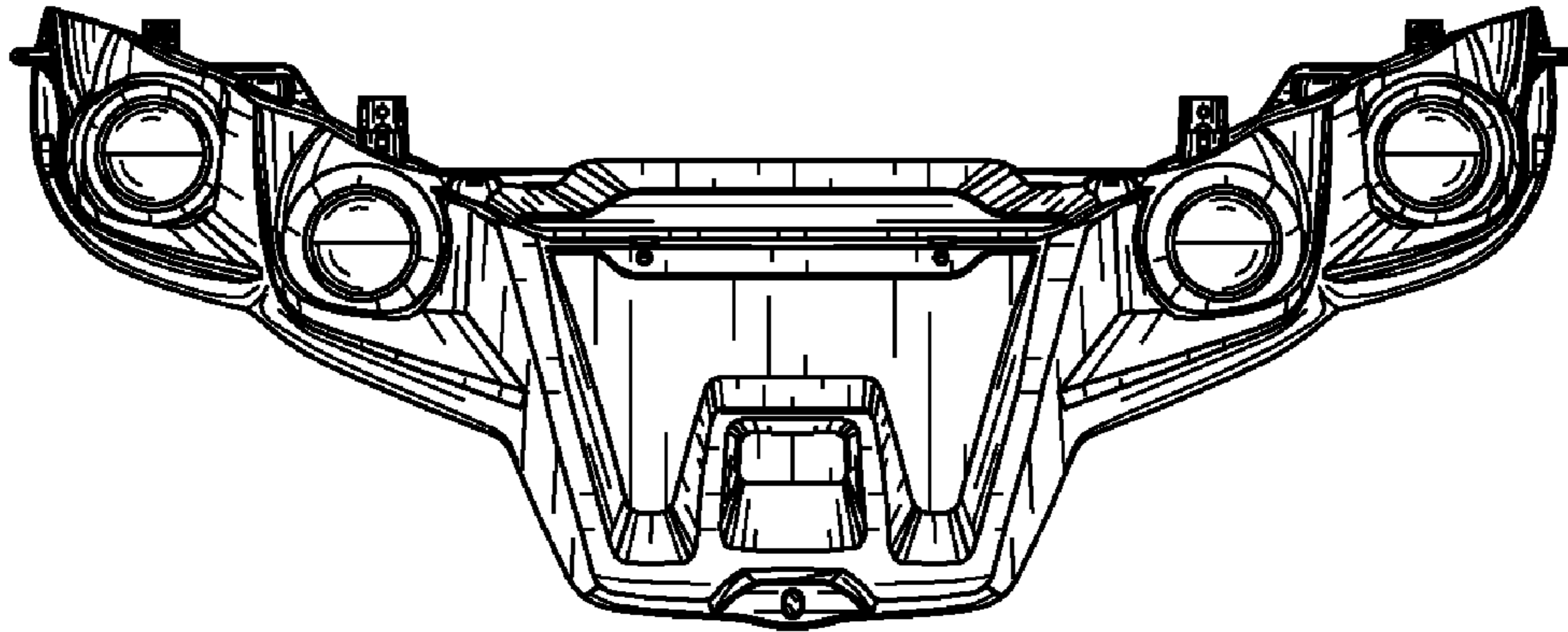


FIG. 2

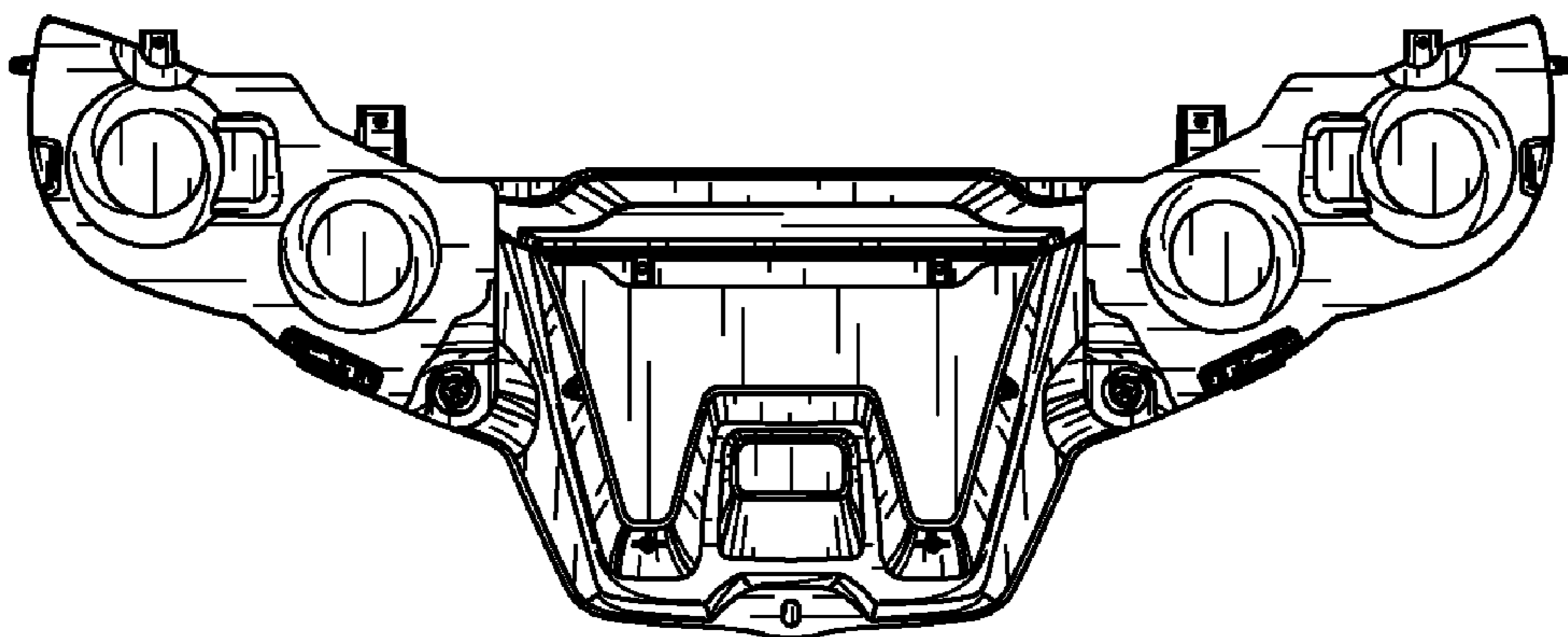


FIG. 3

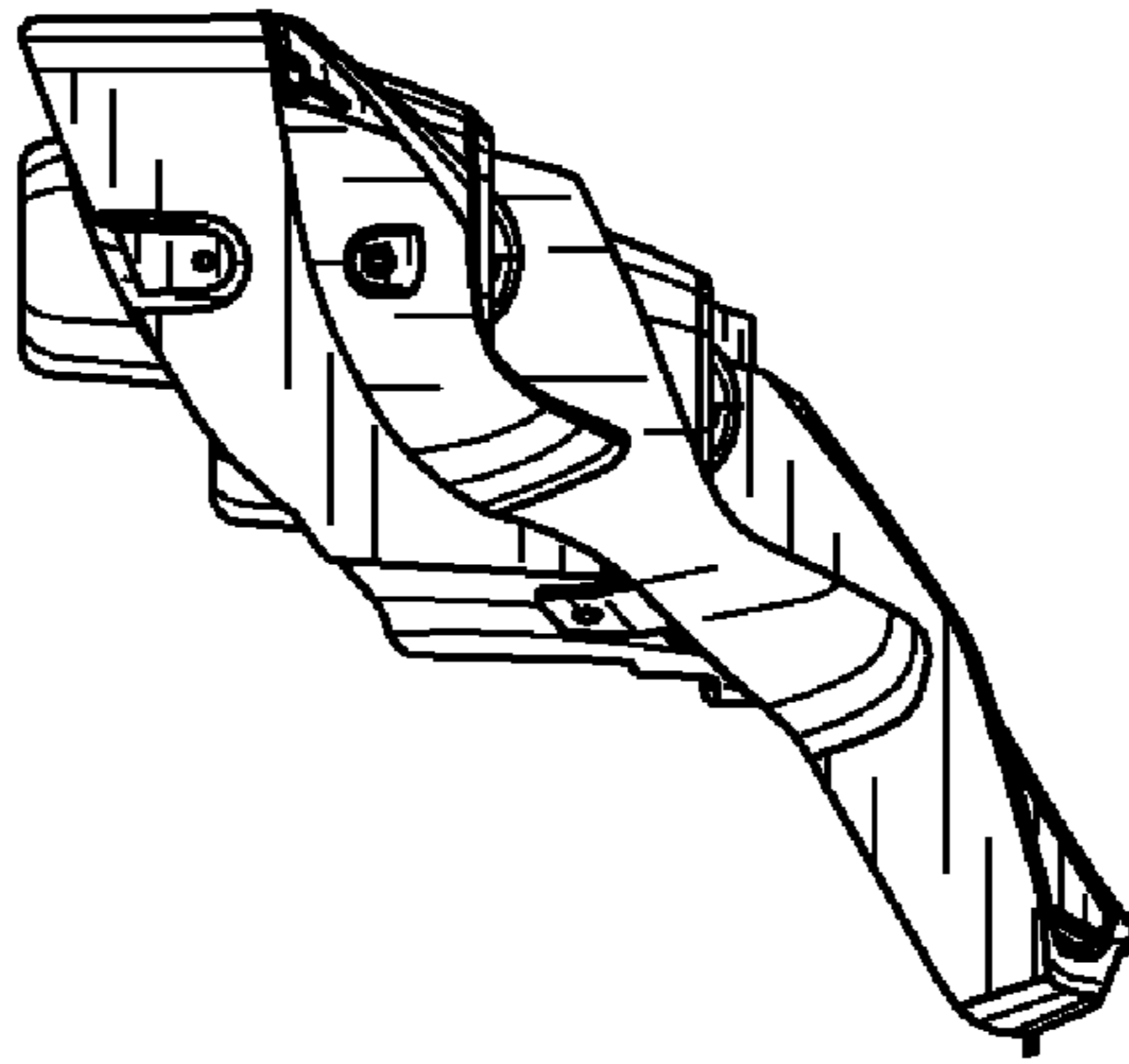


FIG. 4

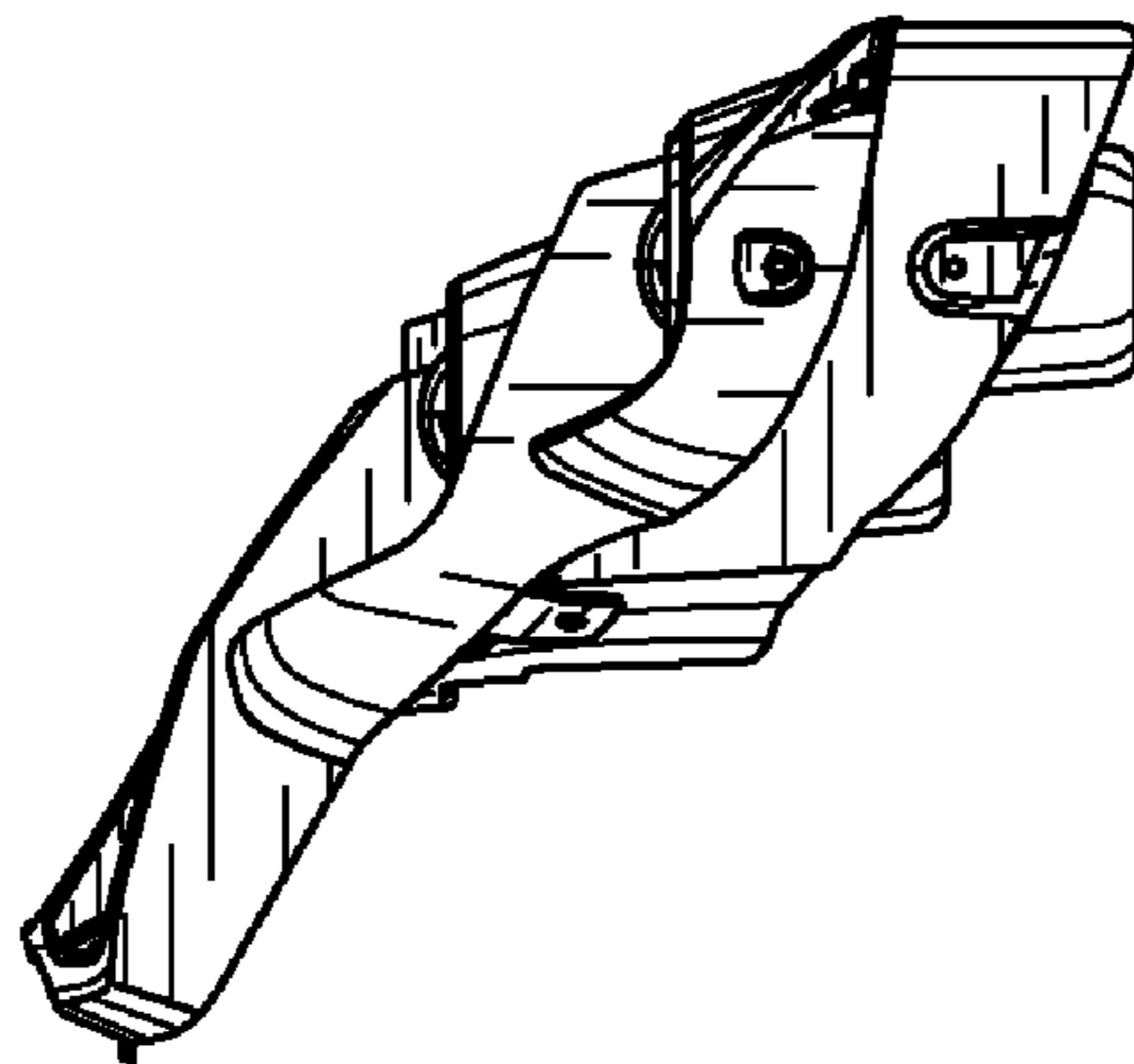


FIG. 5

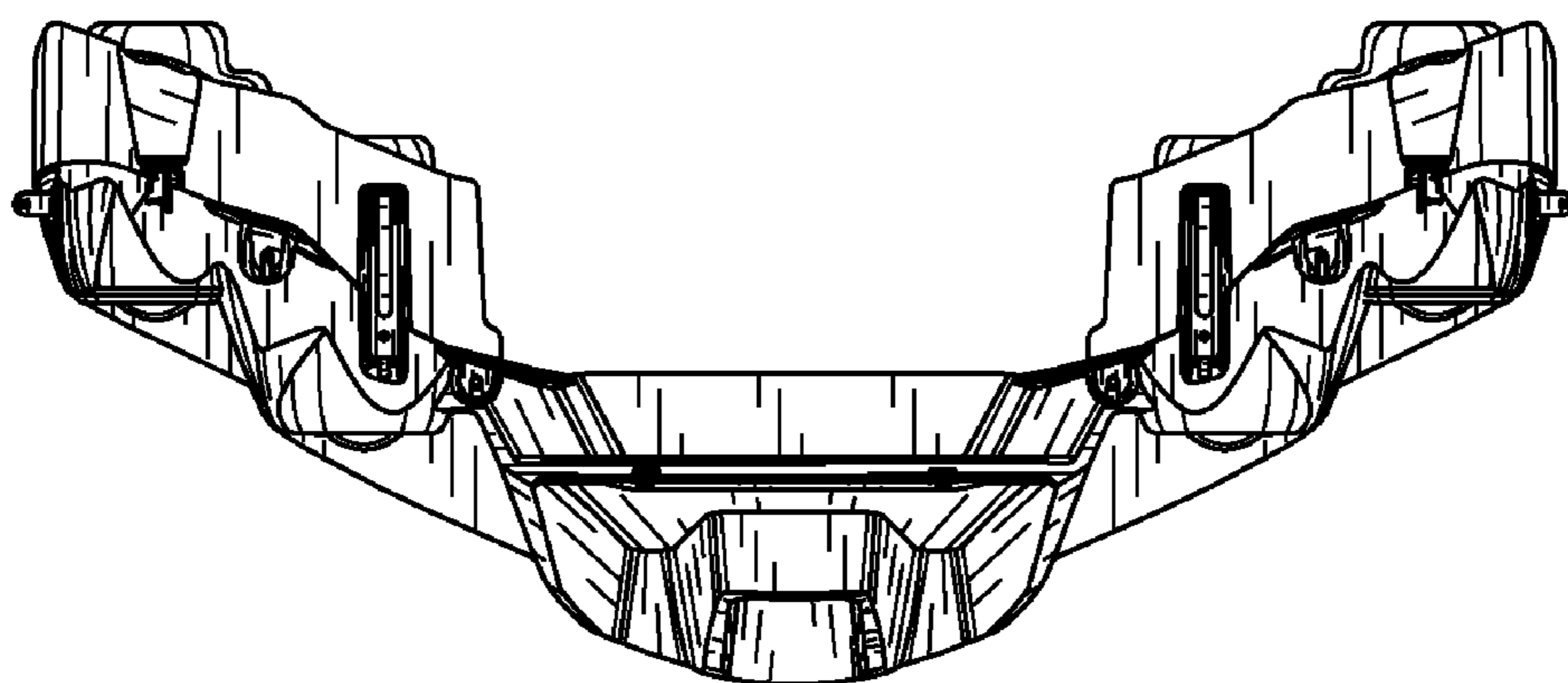


FIG. 6

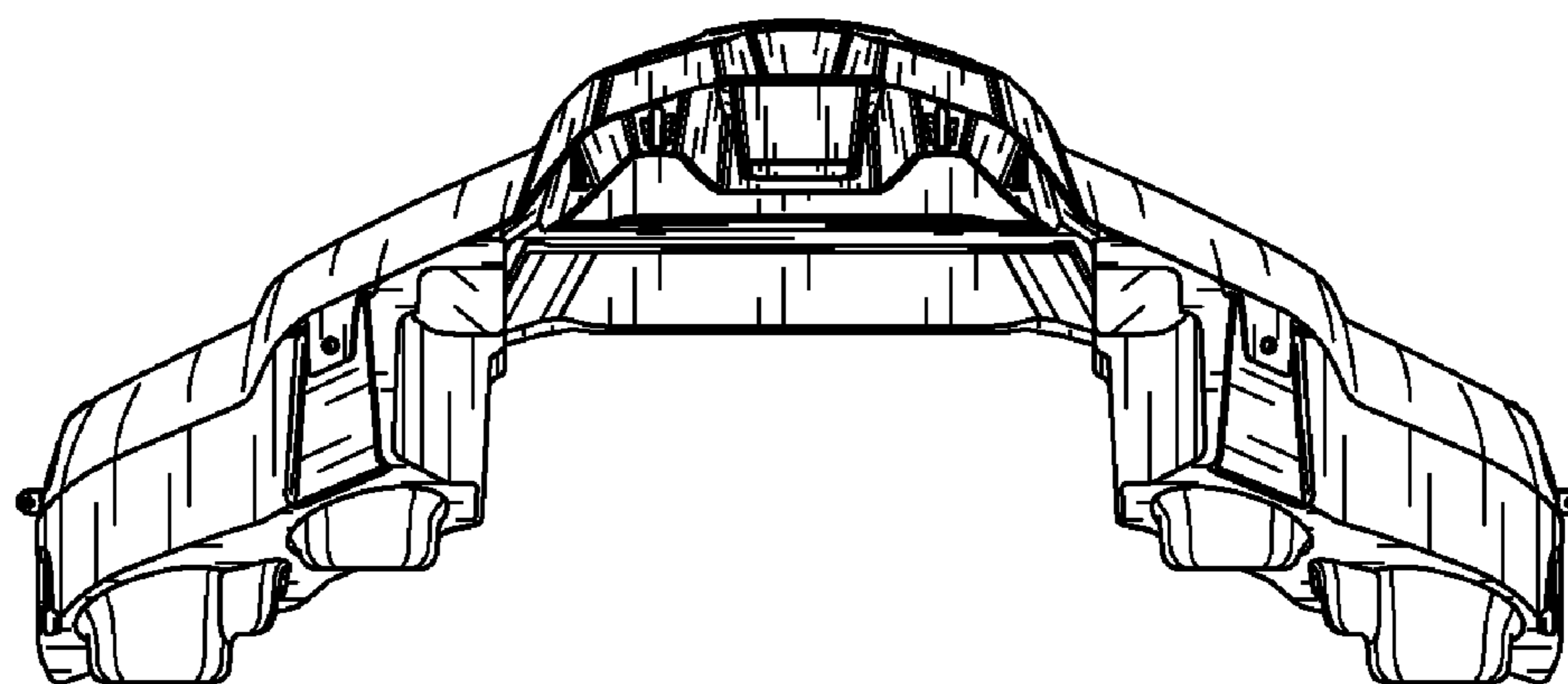


FIG. 7