



US00D585147S

(12) **United States Design Patent**  
**Foo**

(10) **Patent No.:** **US D585,147 S**  
(45) **Date of Patent:** **\*\* Jan. 20, 2009**

(54) **FLUORESCENT TUBE**

D525,725 S \* 7/2006 Foo ..... D26/3  
D528,675 S \* 9/2006 Foo ..... D26/3  
D559,411 S \* 1/2008 Foo ..... D26/3

(75) Inventor: **Onn Fah Foo**, Hong Kong (CN)

(73) Assignee: **Mass Technology (H.K.) Ltd.**, Kowloon (HK)

\* cited by examiner

*Primary Examiner*—Marcus A. Jackson  
(74) *Attorney, Agent, or Firm*—Rabin & Berdo, P.C.

(\*\*) Term: **14 Years**

(21) Appl. No.: **29/319,960**

(57) **CLAIM**

(22) Filed: **Jun. 18, 2008**

The ornamental design for a fluorescent tube, as shown and described.

(30) **Foreign Application Priority Data**

May 23, 2008 (HK) ..... 0801410

**DESCRIPTION**

(51) **LOC (9) Cl.** ..... **26-04**

FIG. 1 is a perspective view of a fluorescent tube showing my new design;

(52) **U.S. Cl.** ..... **D26/3**

FIG. 2 is a front view thereof;

(58) **Field of Classification Search** ..... D26/1-4;  
313/313, 315, 317, 318, 493; 315/52, 53,  
315/56, 57, 58

FIG. 3 is a rear view thereof;

See application file for complete search history.

FIG. 4 is a left side view thereof;

FIG. 5 is a right side view thereof;

(56) **References Cited**

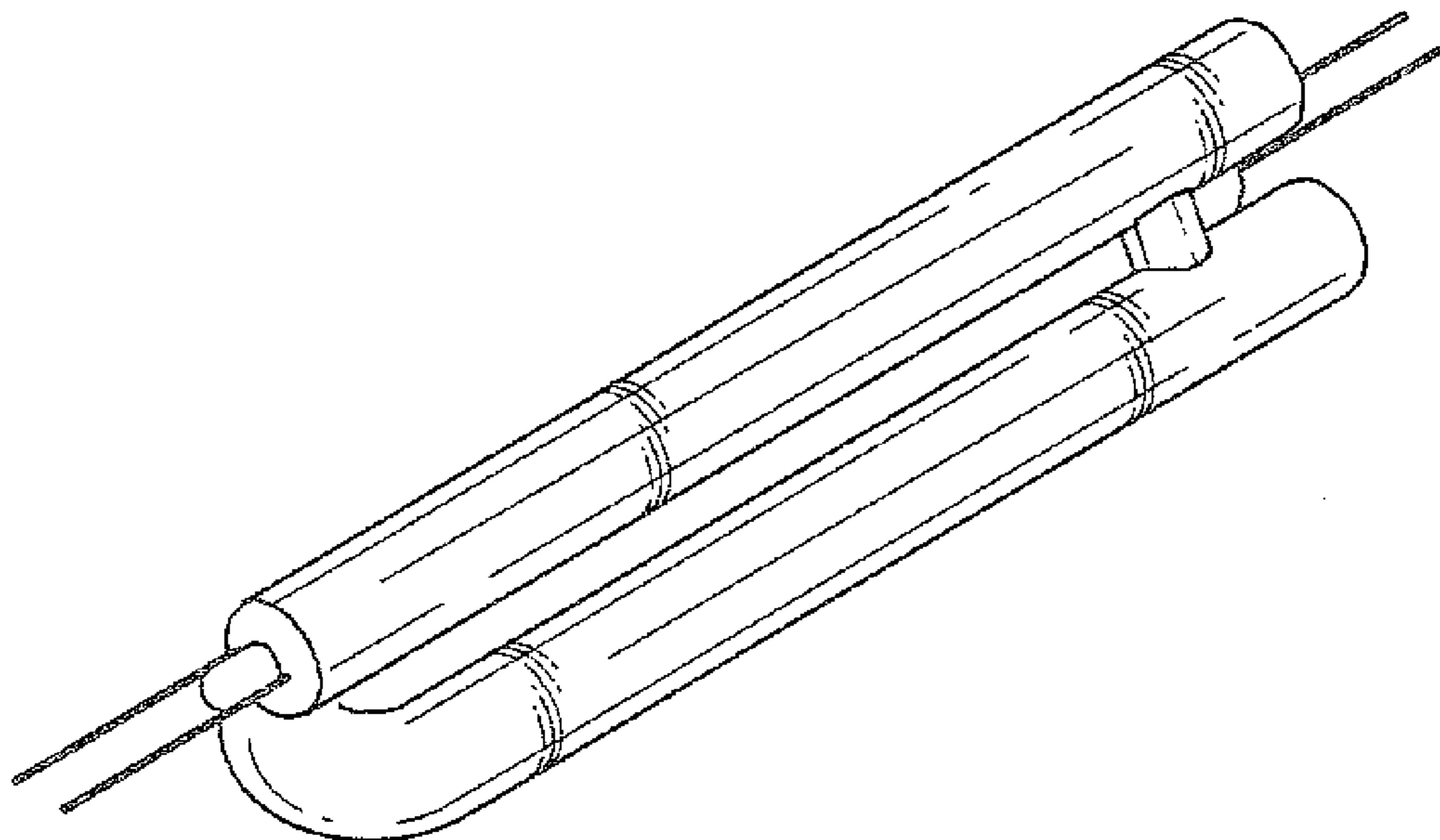
FIG. 6 is a top view thereof; and,

FIG. 7 is a bottom view thereof.

**U.S. PATENT DOCUMENTS**

D390,674 S \* 2/1998 Foo ..... D26/3

**1 Claim, 4 Drawing Sheets**



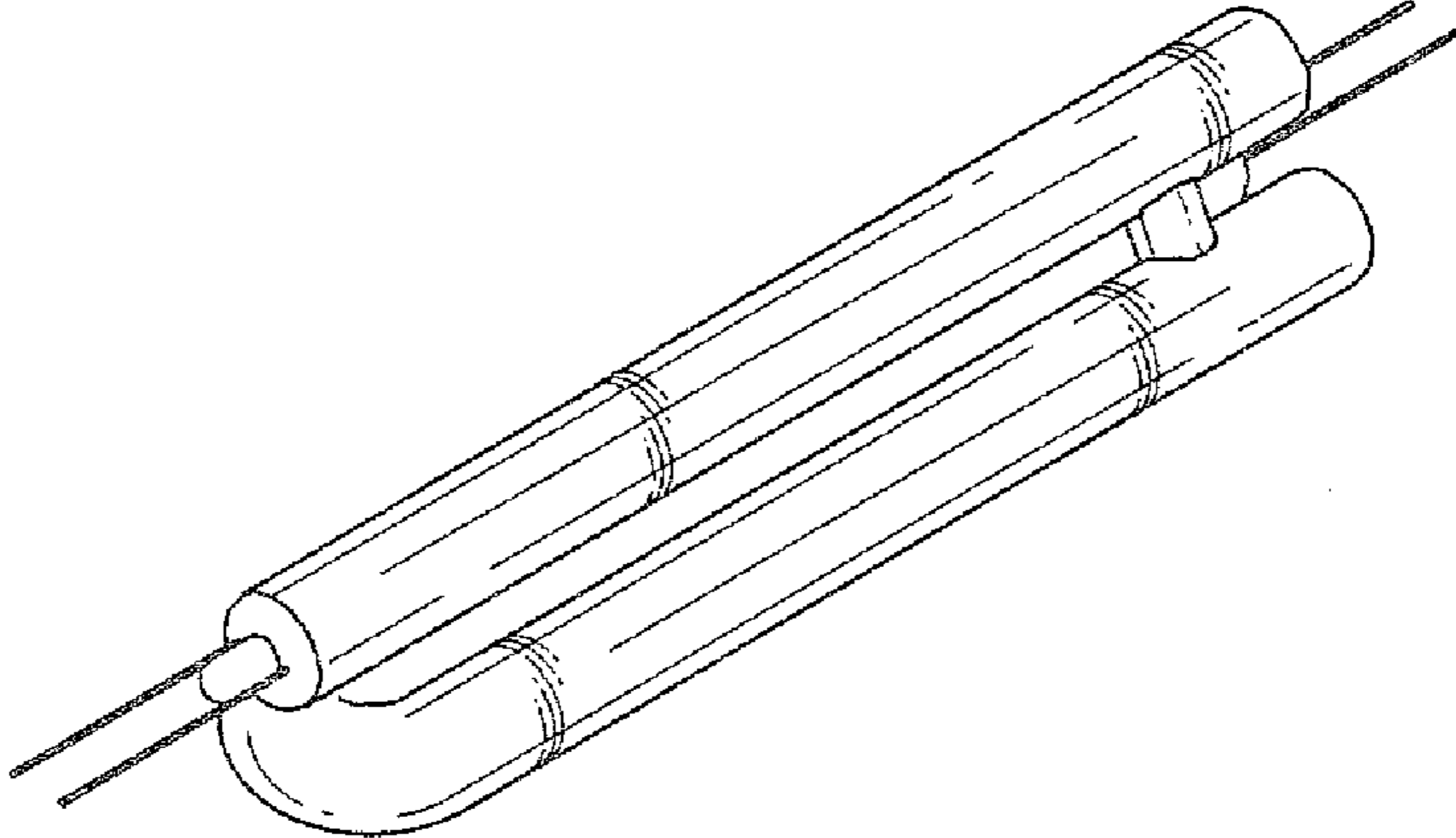
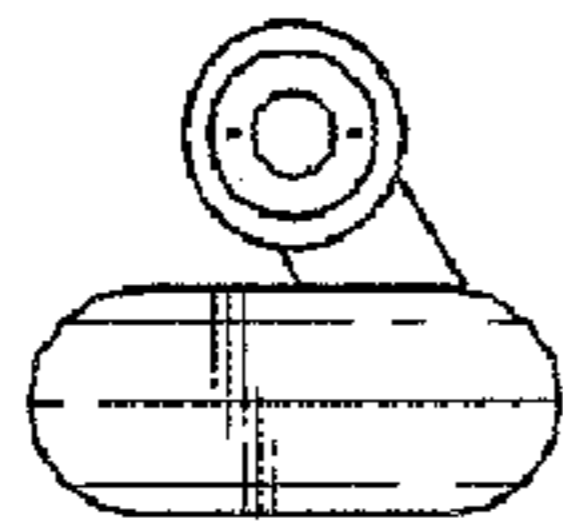
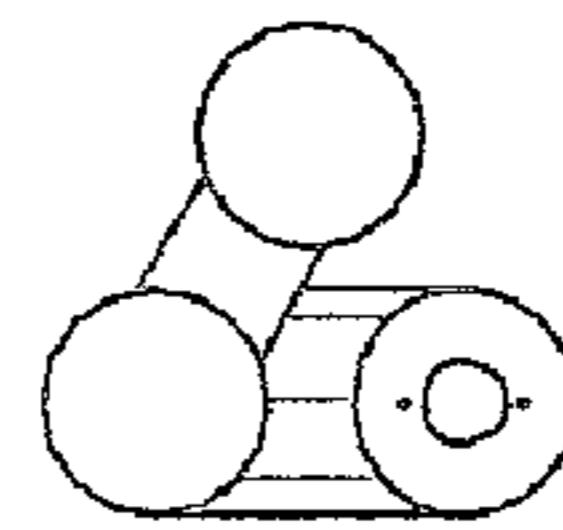


Fig. 1



**Fig. 2**



**Fig. 3**

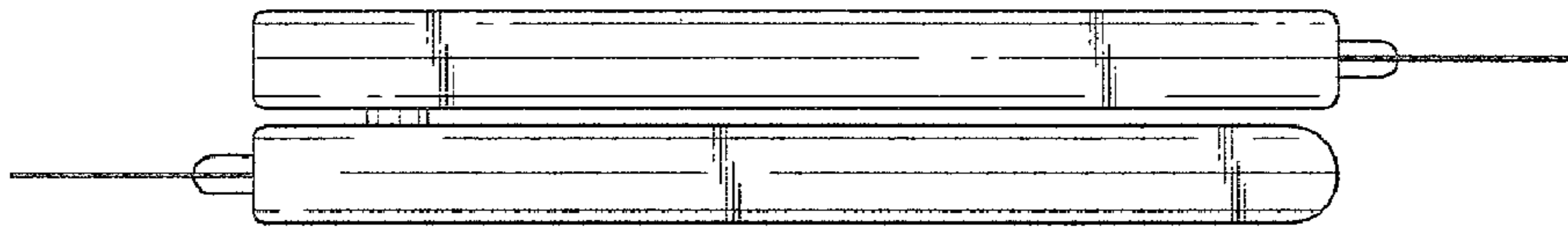


Fig. 4

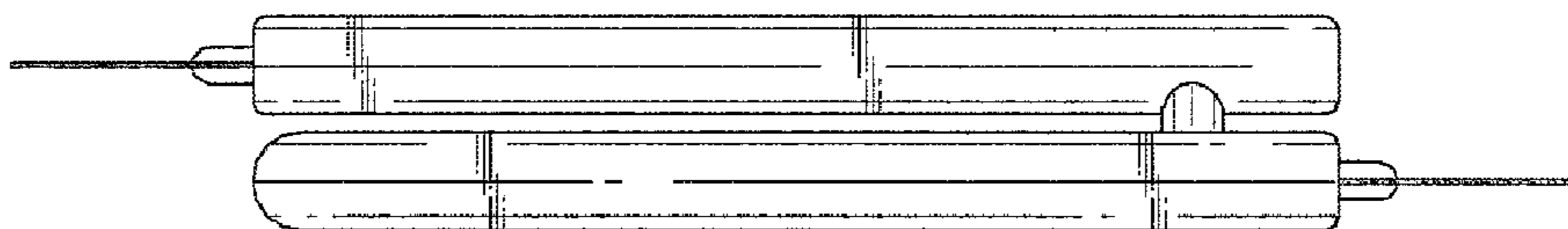


Fig. 5

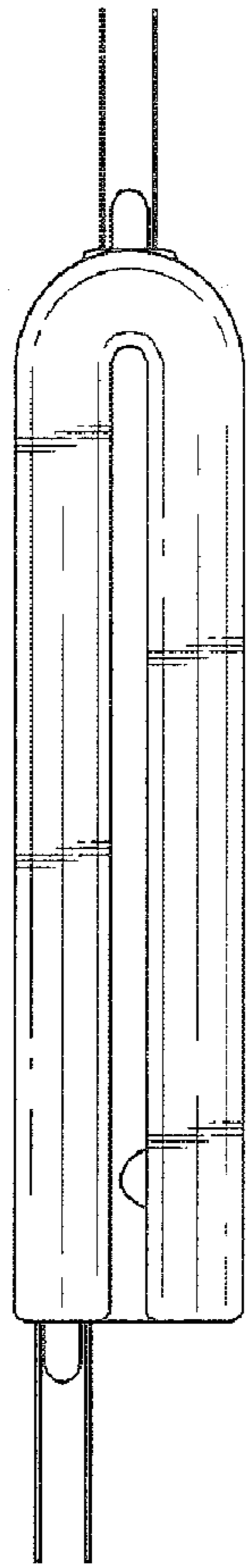


Fig. 6

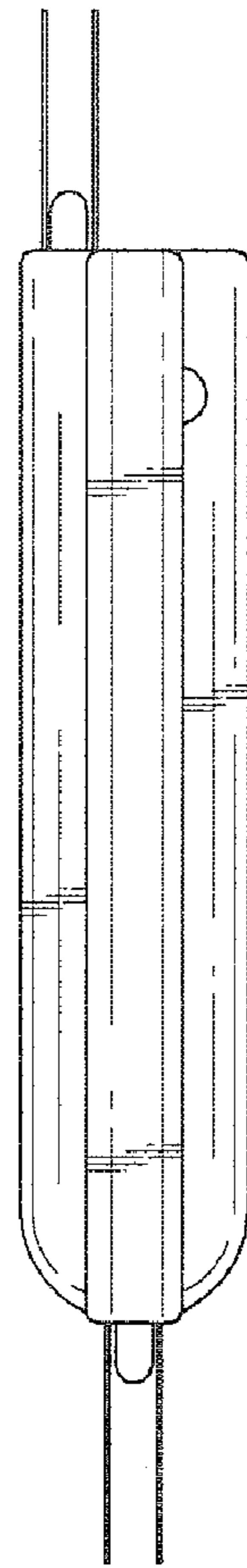


Fig. 7