



US00D585146S

(12) **United States Design Patent**
McCarthy

(10) **Patent No.:** **US D585,146 S**
(45) **Date of Patent:** **** Jan. 20, 2009**

(54) **STAINED GLASS**

(75) Inventor: **Jessica Marie McCarthy**, Belton, TX
(US)

(73) Assignee: **JELD-WEN, inc.**, Klamath Falls, OR
(US)

(**) Term: **14 Years**

(21) Appl. No.: **29/303,575**

(22) Filed: **Feb. 12, 2008**

(51) **LOC (9) Cl.** **25-01**

(52) **U.S. Cl.** **D25/103**

(58) **Field of Classification Search** D25/103-111,
D25/52, 48, 138; D6/306, 470, 494; D26/122;
D21/494; 428/38, 49; 52/204.59; 362/330
See application file for complete search history.

(56) **References Cited**

U.S. PATENT DOCUMENTS

619,676 A	2/1899	Cronin
D110,453 S	7/1938	Baum
2,201,266 A	5/1940	Hutchinson
D132,040 S	4/1942	Cummings
2,343,740 A	3/1944	Birmingham
2,682,083 A	6/1954	Patton
D177,963 S	6/1956	Cutler
2,831,793 A	4/1958	Elmendorf
D192,073 S	1/1962	Jackson
3,098,781 A	7/1963	Greten
3,121,263 A	2/1964	Binner
3,212,948 A	10/1965	McMahon
3,308,013 A	3/1967	Bryant
D209,738 S	1/1968	Bachner
3,512,304 A	5/1970	Meuret
3,533,190 A	10/1970	Hilfinger et al.
3,546,841 A	12/1970	Smith et al.
D222,775 S	12/1971	Sartori
3,639,200 A	2/1972	Elmendorf et al.
3,796,586 A	3/1974	Hanlon et al.
3,987,599 A	10/1976	Hines
D244,736 S	6/1977	Palka
D245,263 S	8/1977	Andresen

D245,824 S	9/1977	Palka
D246,136 S	* 10/1977	Abraham et al. D25/103
D246,385 S	11/1977	Bogan
4,086,738 A	5/1978	Saccoccio
D248,322 S	6/1978	Stichtenoth
4,236,365 A	12/1980	Wheeler
4,246,310 A	1/1981	Hunt et al.
4,248,163 A	2/1981	Caughey et al.

(Continued)

FOREIGN PATENT DOCUMENTS

CA 57271 10/1986

(Continued)

OTHER PUBLICATIONS

Masonite Brand Door Facings - brochure, published in 1987.

(Continued)

Primary Examiner—Louis S Zarfaz
Assistant Examiner—Anhdao Doan
(74) *Attorney, Agent, or Firm*—Nelson Mullins Riley & Scarborough, LLP

(57) **CLAIM**

The ornamental design for a stained glass, as shown and described.

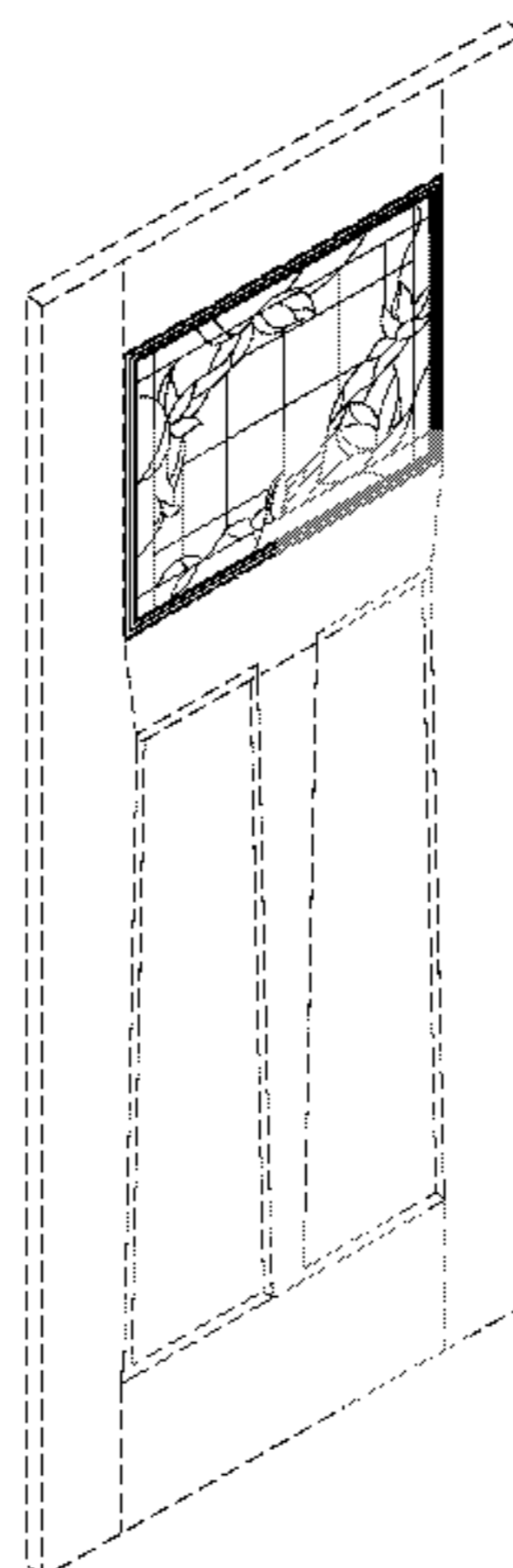
DESCRIPTION

FIG. 1 is an elevation view of a stained glass of the present invention; and,

FIG. 2 is a perspective view thereof.

The broken lines in the drawings depict environmental subject matter and form no part of the claimed design.

1 Claim, 2 Drawing Sheets



US D585,146 S

U.S. PATENT DOCUMENTS

4,277,428 A 7/1981 Luck et al.
D265,929 S * 8/1982 Simpson D25/48
D266,042 S 9/1982 Moore et al.
D266,720 S 11/1982 Moore et al.
4,361,612 A 11/1982 Shaner et al.
4,364,984 A 12/1982 Wentworth
D272,767 S 2/1984 Nemeth
4,441,296 A 4/1984 Grabendike et al.
D274,107 S 6/1984 Gordon
D274,944 S 7/1984 Coppa
4,503,115 A 3/1985 Hemels et al.
4,552,797 A 11/1985 Munk et al.
D282,426 S 2/1986 Heimberger et al.
4,579,613 A 4/1986 Belanger
4,610,900 A 9/1986 Nishibori
4,610,913 A 9/1986 Barnes
D286,177 S 10/1986 Case et al.
4,622,190 A 11/1986 Schultz
D288,489 S 2/1987 Tofani
4,720,363 A 1/1988 Mayumi et al.
4,811,538 A 3/1989 Lehnert
4,830,929 A 5/1989 Ikeda et al.
4,853,062 A 8/1989 Gartland
4,876,838 A 10/1989 Hagemeyer
D304,983 S 12/1989 Palka
4,908,990 A 3/1990 Yoon et al.
4,942,084 A 7/1990 Prince
D313,854 S * 1/1991 Hall D25/103
D313,855 S * 1/1991 Hall D25/103
D314,242 S 1/1991 Mikolaitis
D314,625 S 2/1991 Hall
5,016,414 A 5/1991 Wang
D319,884 S 9/1991 Hall
5,074,087 A 12/1991 Green
5,074,092 A 12/1991 Norlander
5,075,059 A 12/1991 Green
5,167,105 A 12/1992 Isban et al.
D335,982 S 6/1993 Brandon
5,219,634 A 6/1993 Aufderhaar
D338,718 S 8/1993 Izzo
5,239,799 A 8/1993 Bies et al.
D341,210 S 11/1993 Zvi
5,293,726 A 3/1994 Schick
D345,806 S 4/1994 Vyvoda
D349,352 S 8/1994 Csati
5,355,654 A 10/1994 Stanley
5,369,869 A 12/1994 Bies et al.
5,401,556 A 3/1995 Ishitoya et al.
5,418,021 A * 5/1995 Kim 428/14
5,443,891 A 8/1995 Bach
5,470,631 A 11/1995 Lindquist et al.
D366,939 S 2/1996 Schafernak
D367,121 S 2/1996 Schafernak
5,501,888 A 3/1996 Hanson et al.
D370,269 S 5/1996 Schafernak
D371,852 S 7/1996 Schafernak
D372,103 S 7/1996 Schooling
5,543,234 A 8/1996 Lynch et al.
D380,053 S 6/1997 Forsland
D382,350 S 8/1997 Lynch
D384,423 S * 9/1997 Lint et al. D25/103
D388,196 S 12/1997 Schafernak et al.
D392,051 S 3/1998 Lee
5,753,341 A * 5/1998 Peng 428/122
5,766,774 A 6/1998 Lynch et al.
5,775,041 A 7/1998 Tull et al.
5,822,923 A 10/1998 Governale
5,852,910 A 12/1998 Zebedee
D411,022 S 6/1999 Schafernak et al.
5,918,434 A 7/1999 Ballantyne et al.
D415,291 S 10/1999 Woodruff

D417,013 S * 11/1999 Gatch D25/105
D422,088 S 3/2000 Mishina
6,067,699 A 5/2000 Jackson
D426,645 S 6/2000 Bonomo et al.
6,170,224 B1 1/2001 Boyse et al.
6,185,883 B1 2/2001 Howard
D438,637 S 3/2001 Ben-Ezra
6,200,687 B1 3/2001 Smith et al.
D440,327 S 4/2001 Keating et al.
D460,196 S 7/2002 Ben-Ezra
D462,455 S * 9/2002 Careri D25/103
6,485,800 B1 11/2002 Liittschwager et al.
D468,027 S 12/2002 Jimenez et al.
D472,330 S 3/2003 Marshall
6,615,558 B2 9/2003 Libby
D491,278 S * 6/2004 Barnard D25/52
D501,565 S 2/2005 Malicki et al.
D501,931 S 2/2005 Davina et al.
6,899,835 B2 5/2005 Liittschwager et al.
D513,329 S * 12/2005 Barnard D25/52
D517,219 S 3/2006 Davina et al.
7,022,414 B2 4/2006 Davina et al.
D528,666 S 9/2006 Walsh et al.
D528,670 S 9/2006 Davina et al.
D532,114 S 11/2006 Hackett et al.
7,137,232 B2 11/2006 Lynch et al.
7,178,308 B2 2/2007 Fagan et al.
7,185,468 B2 3/2007 Clark et al.
D539,920 S 4/2007 Hackett et al.
D545,454 S 6/2007 McCarthy
D550,856 S 9/2007 Hackett et al.
D550,858 S 9/2007 McCarthy
D551,776 S 9/2007 Hackett et al.
D551,777 S 9/2007 Hackett et al.
D552,252 S 10/2007 Davina et al.
D552,253 S 10/2007 Hackett et al.
D552,254 S 10/2007 Hackett et al.
D552,255 S 10/2007 Hackett et al.
D552,752 S 10/2007 Hackett et al.
D553,256 S 10/2007 Hackett et al.
D553,755 S 10/2007 Davina et al.
D553,756 S 10/2007 Davina et al.
7,284,352 B2 10/2007 Lynch et al.
D554,769 S 11/2007 Hardaway
D555,806 S 11/2007 Berryman
D559,406 S 1/2008 Boshell et al.
D559,409 S 1/2008 McCarthy
7,328,539 B2 2/2008 Hunt et al.
7,337,543 B2 3/2008 Liittschwager et al.
7,337,544 B2 3/2008 Fagan et al.
7,370,454 B2 5/2008 Lynch et al.
2005/0266222 A1 12/2005 Clark et al.
2008/0172984 A1 7/2008 Fagan et al.

FOREIGN PATENT DOCUMENTS

DE 3801486 A1 8/1989
EP 0 049 299 B1 4/1982
EP 0 225 629 B2 6/1987

OTHER PUBLICATIONS

Elite Doors - brochure, apparently published in Oct. 1987.
"The New Mission Series" product brochure by Nord, Part of the JELD-WEN family, 300 W. Marine View Drive, Everett, WA 98201-1030, in existence at least as of Oct. 29, 2002.
Lloyd, William B., Millwork Principles and Practices, Manufacture-Distribution Use, Cahners Pub. Co., Inc., Chicago, IL © 1966, pp. 173 and 192 (FIGS. 100 & 103).
1981 Sweet's Catalog, Section 8-3/50, p. 7.
Therma-Tru® Doors brochure, pp. 117-120, 122, 124-130, © 2000.
Simpson Door Co. Infinity Encore® brochure, © 2001.
Simpson® Door Co. Infinity Doors brochure, © 2004.
Simpson® Door Co. Bungalow Series™ brochure, © 2004.

US D585,146 S

Page 3

Simpson® Door Co. Mahogany Collection brochure, © 2004.

Simpson® Door Co. Simpson Custom Doors brochure, © 2004, pp. 4 and 7-20.

Simpson® Door Co. Doors of a Lifetime® brochure, © 2004, pp. 10, 18, 22, 40 and 41.

Therma-Tru® Doors Product Manual, Jun. 2005, pp. 3.1 - 6.20.

The Front Door by IWP™, IWP™ International Wood Products brochure, © 1998, pp. 1-8.

JELD-WEN® Windows & Doors, IWP® Custom Wood Entrance Systems brochure, © 2006, pp. 2, 26, 28, 53, 72, 73, 75, and 77.

Diane Maddex, 50 Favorite Furnishings by Frank Lloyd Wright, 1999, p. 85, Archetype Press, Inc., Printed in Singapore.

Craftsman Doors.com, www.craftsmandoors.com, Bungalow Doors, 3 pages, © 2001-2007.

AAW, Inc., Collections, www.aawdoorsinc.com, 15 pages, © 2005.

1981 Sweet's Catalogue, Section 9.31/MO, p. 3, door in center of page.

Magazine by The International Magazine of Design entitled Architectural Digest, Dec. 2006, cover page, pp. 10, 14, 18, 158-159.

* cited by examiner

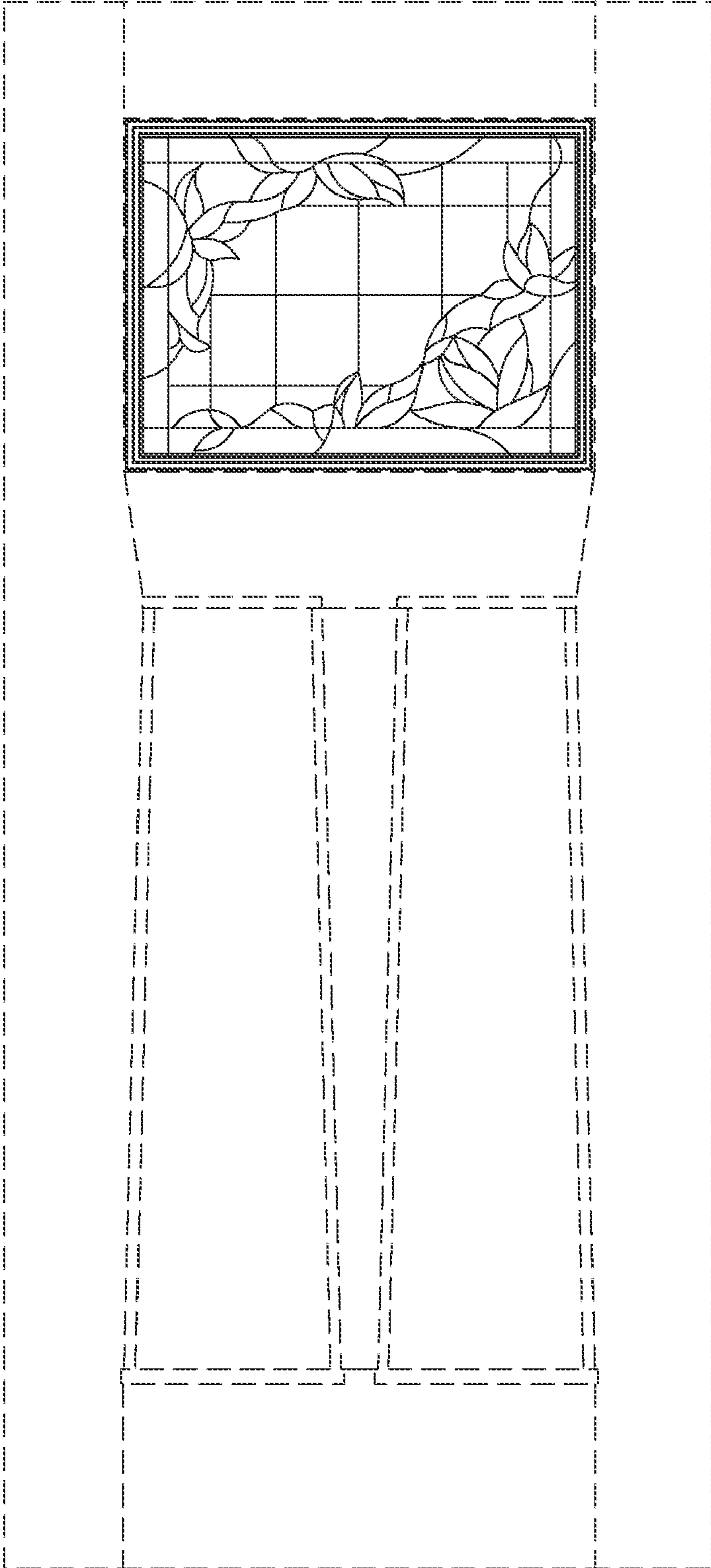


Fig. 1

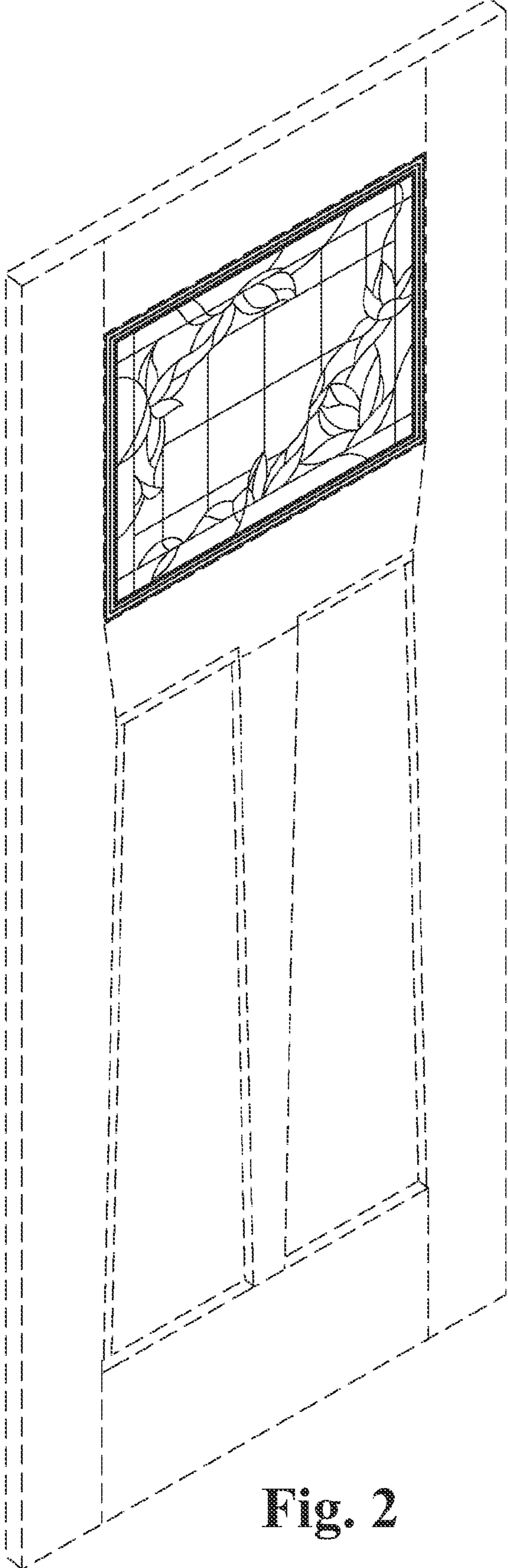


Fig. 2