



US00D585139S

(12) **United States Design Patent**
Andrews

(10) **Patent No.:** **US D585,139 S**
(45) **Date of Patent:** **** Jan. 20, 2009**

(54) **ANATOMICAL PORTABLE OR STATIONARY MASSAGE TABLE**

6,295,668 B1 * 10/2001 Nation 5/110
6,857,145 B1 * 2/2005 Sikes 5/110
6,938,287 B1 * 9/2005 Mahshie 5/111

(76) Inventor: **Adelaide Andrews**, 2240 Encinitas Blvd., PMB D-407, Encinitas, CA (US) 92024

* cited by examiner

Primary Examiner—Robert A. Delehanty
Assistant Examiner—Mark Cavanna

(**) Term: **14 Years**

(21) Appl. No.: **29/303,563**

(57) **CLAIM**

(22) Filed: **Feb. 12, 2008**

The ornamental design for an anatomical portable or stationary massage table, as shown and described.

(51) **LOC (9) Cl.** **24-02**

(52) **U.S. Cl.** **D24/184**

(58) **Field of Classification Search** D24/36,
D24/64, 183–184; D6/595–596, 601, 604–605;
5/110–111, 431–437, 490, 636–637, 639–640,
5/648, 706, 710, 713; 601/11, 652–654
See application file for complete search history.

DESCRIPTION

FIG. 1 is a perspective view of a massage table, showing my new design;

FIG. 2 is a front elevational view of the invention;

FIG. 3 is a rear elevational view of the invention;

FIG. 4 is a left-side elevational view of the invention, showing fabric or canvas detachable privacy shields;

FIG. 5 is a right-side elevational view of the invention, showing fabric or canvas detachable privacy shields;

FIG. 6 is a top plan view of the invention, showing removable portions for males and females; and,

FIG. 7 is a bottom plan view of the invention.

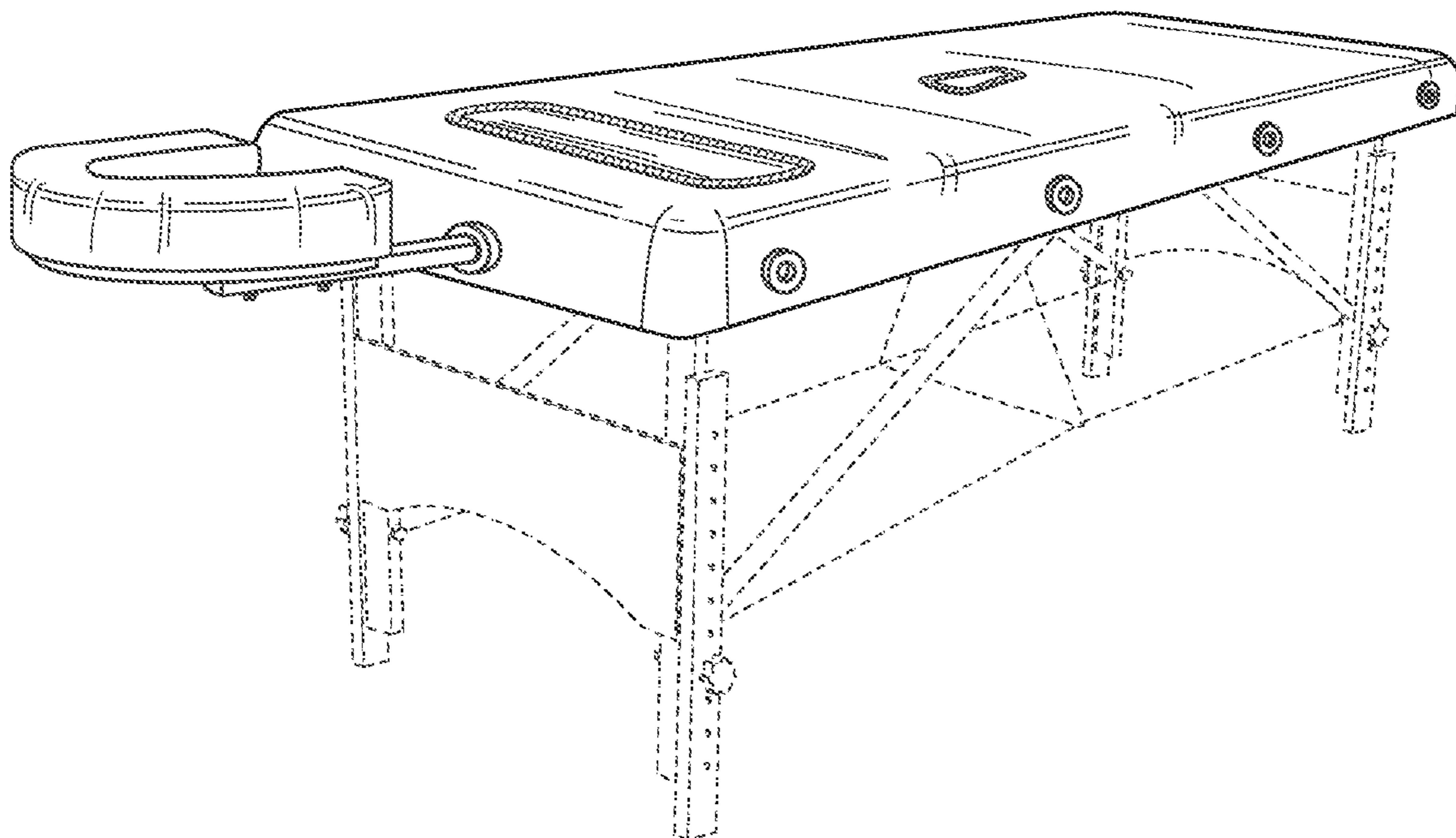
The broken lines showing a table in FIG. 1 are included for the purpose of illustrating the invention in use, and form no part of the claimed design.

(56) **References Cited**

U.S. PATENT DOCUMENTS

3,988,793	A *	11/1976	Abitbol	601/11
D271,647	S *	12/1983	McLeod	D6/596
D309,542	S *	7/1990	Glenn	D6/596
5,014,375	A *	5/1991	Coonrad et al.	5/648
D318,923	S *	8/1991	Marsh	D24/183
5,095,569	A *	3/1992	Glenn	5/490
D357,538	S *	4/1995	Sockwell et al.	D24/183
5,425,147	A *	6/1995	Supplee et al.	5/713
D364,464	S *	11/1995	Gigante et al.	D24/183
D384,850	S *	10/1997	Fanuzzi	D6/601

1 Claim, 2 Drawing Sheets



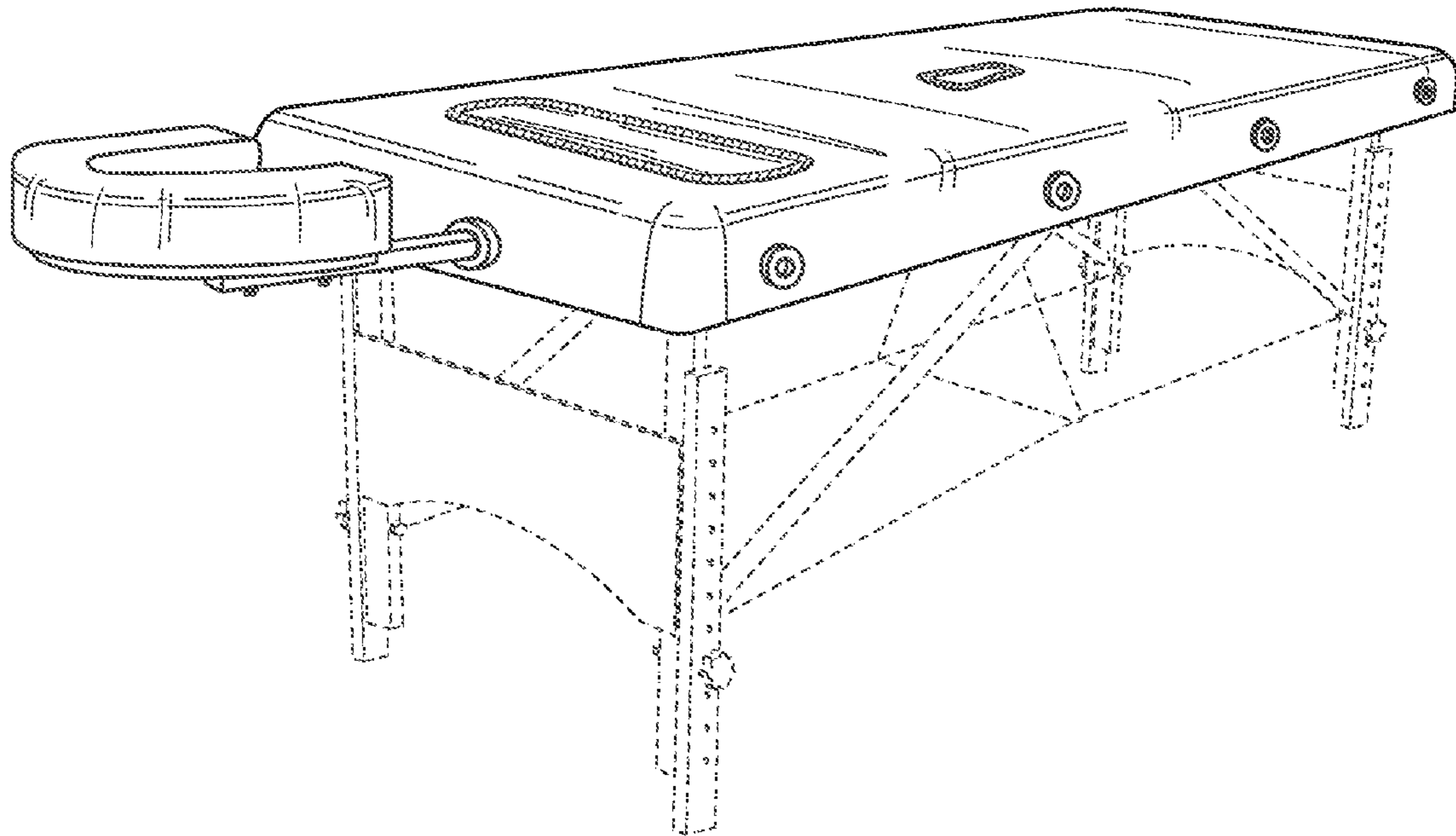


FIG. 1

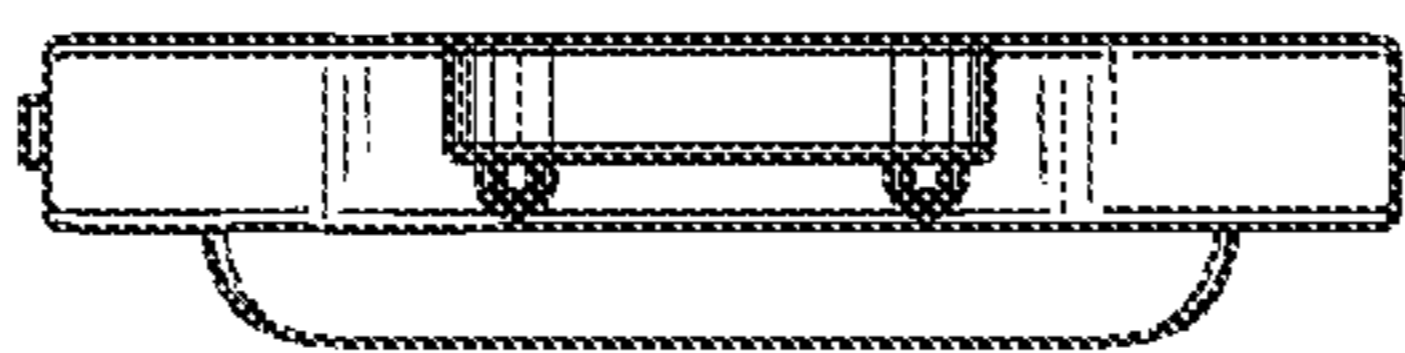


FIG. 2

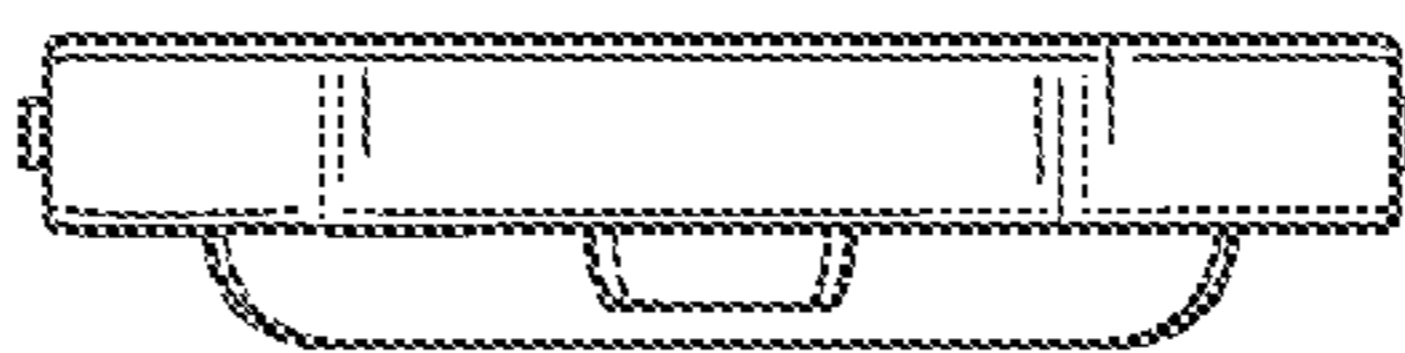


FIG. 3



FIG. 4

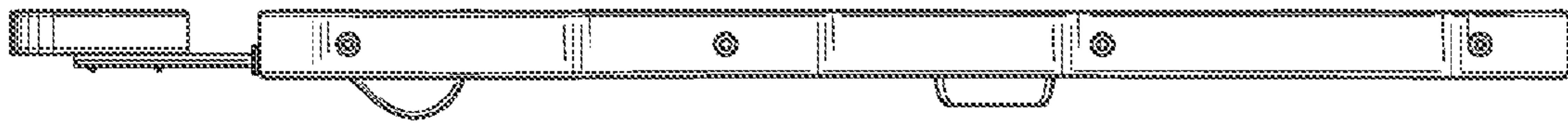


FIG. 5

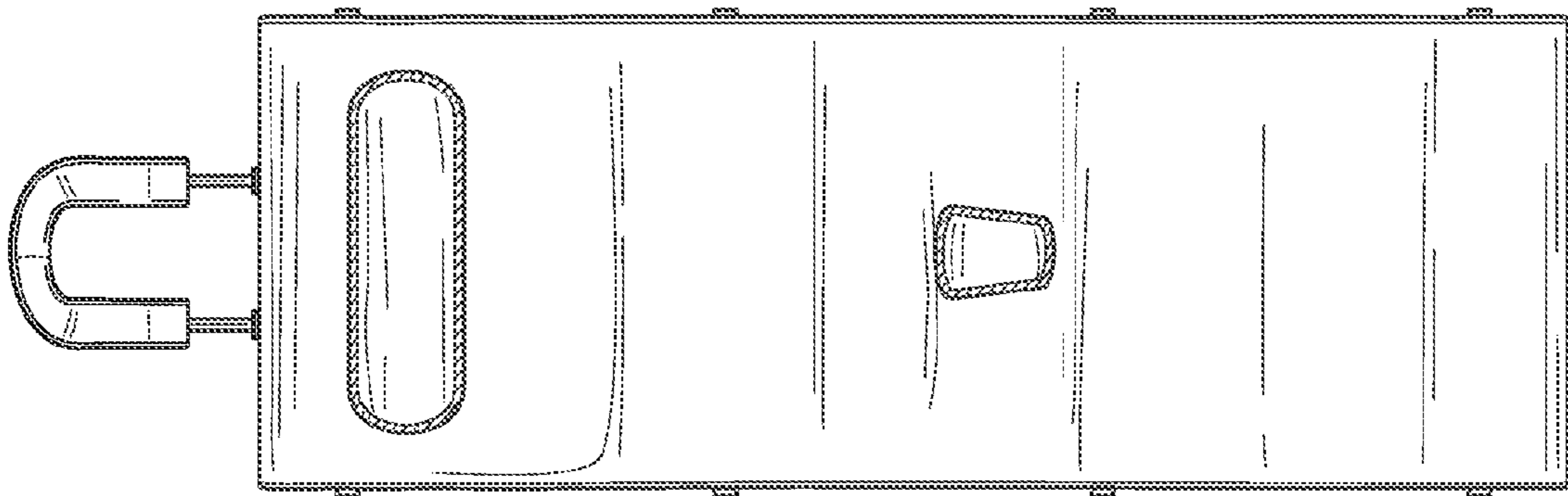


FIG. 6

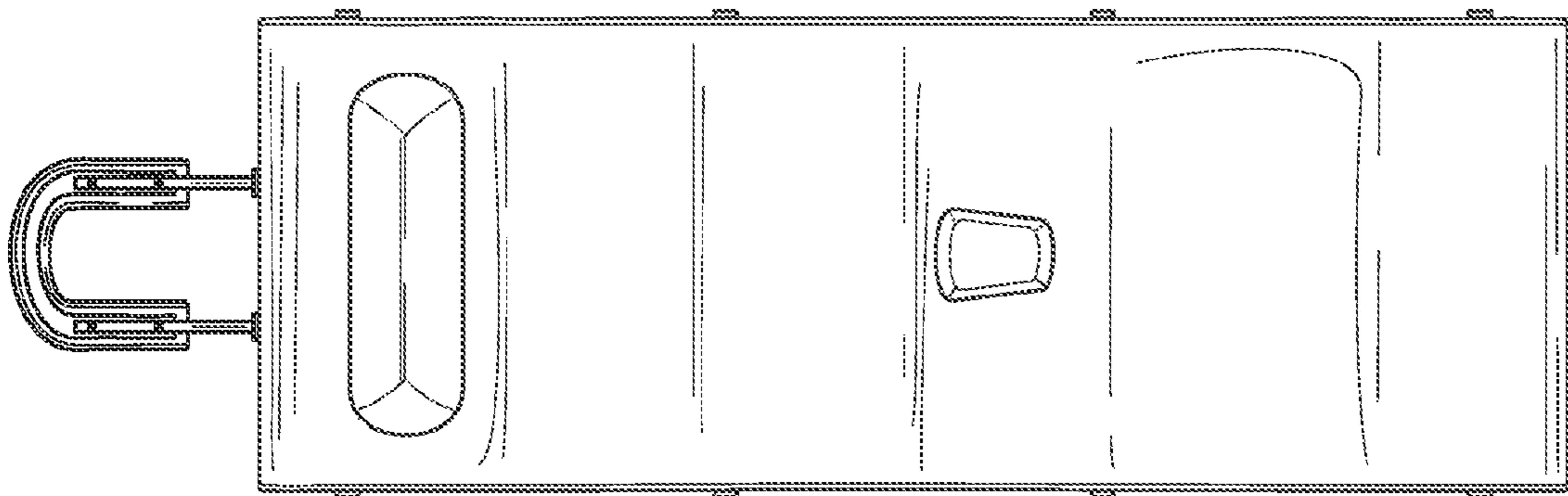


FIG. 7