



US00D585138S

(12) **United States Design Patent**
Boehm et al.

(10) **Patent No.:** **US D585,138 S**
(45) **Date of Patent:** **** Jan. 20, 2009**

(54) **SHADE GUIDE CAPSULE**

(75) Inventors: **Andreas J. Boehm**, Reichling (DE);
Kevin D. Foust, Dana Point, CA (US);
Jon W. Fundingsland, Stillwater, MN
(US); **Timo K. Kuretzky**, Kottgeisering
(DE); **Marc Peuker**, Schondorf (DE)

(73) Assignee: **3M Innovative Properties Company**,
St. Paul, MN (US)

(**) Term: **14 Years**

(21) Appl. No.: **29/305,433**

(22) Filed: **Mar. 20, 2008**

(51) **LOC (9) Cl.** **24-04**

(52) **U.S. Cl.** **D24/181**

(58) **Field of Classification Search** D24/111,
D24/112, 176, 177, 181; 424/234.1, 217.1;
433/89, 86, 80, 119, 98, 26, 24; 367/70;
358/521

See application file for complete search history.

(56) **References Cited**

U.S. PATENT DOCUMENTS

1,518,608	A *	12/1924	Short	433/26
2,249,634	A *	7/1941	Myerson	433/26
2,990,616	A *	7/1961	Kuris et al.	433/119
D282,719	S *	2/1986	Anscomb	D24/117
4,618,325	A *	10/1986	Appelle	433/26
D289,261	S *	4/1987	Shadwell	D24/117
4,819,193	A *	4/1989	Imao	358/521
4,919,616	A *	4/1990	Croll	433/26
D323,891	S *	2/1992	Arkel	D24/146
D328,348	S *	7/1992	Neisse et al.	D24/176
D330,508	S *	10/1992	Berger	D24/176

5,240,414	A *	8/1993	Thompson	433/26
D357,320	S *	4/1995	Yarovesky et al.	D24/181
D359,119	S *	6/1995	Dragan et al.	D24/176
D372,081	S *	7/1996	Kramer et al.	D24/181
5,961,327	A *	10/1999	Lohn	433/80
7,218,573	B1 *	5/2007	Laake	367/70
2002/0064747	A1 *	5/2002	Chisti et al.	433/24

FOREIGN PATENT DOCUMENTS

EP	0 783 281	7/1997
WO	WO 2006/132932	12/2006

* cited by examiner

Primary Examiner—Charles A Rademaker

(74) *Attorney, Agent, or Firm*—Peter L. Olson

(57) **CLAIM**

The ornamental design for a shade guide capsule, as shown and described.

DESCRIPTION

FIG. 1 is a perspective view of a shade guide capsule showing our new design;

FIG. 2 is a left side elevational view thereof;

FIG. 3 is a right side elevational view thereof

FIG. 4 is top plan view thereof;

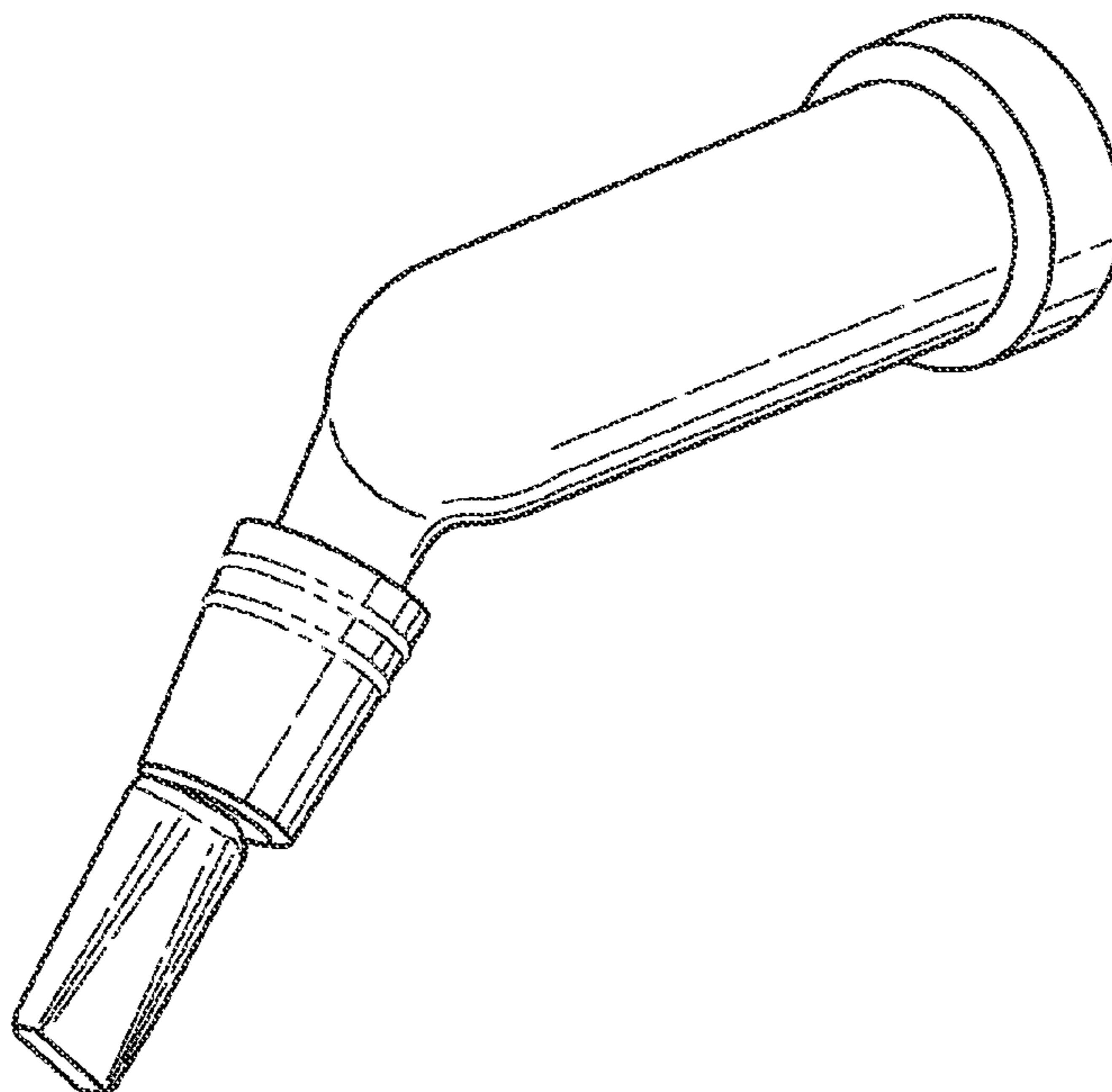
FIG. 5 is a bottom plan elevational view thereof;

FIG. 6 is a front elevational view thereof; and,

FIG. 7 is a rear elevational view thereof.

The broken lines shown in the drawings are used too illustrate structural environment and form no part of the claimed design.

1 Claim, 2 Drawing Sheets



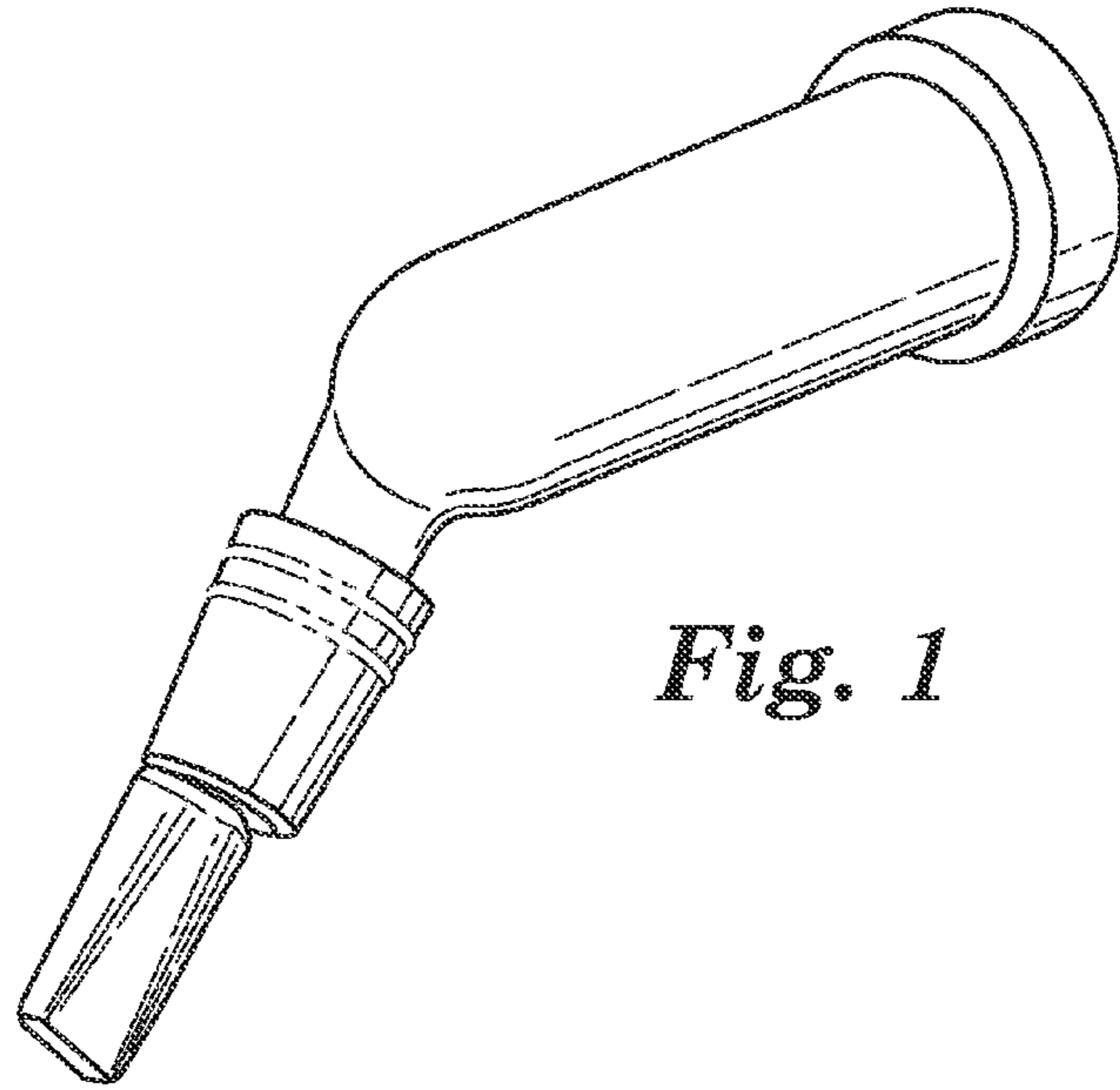


Fig. 1

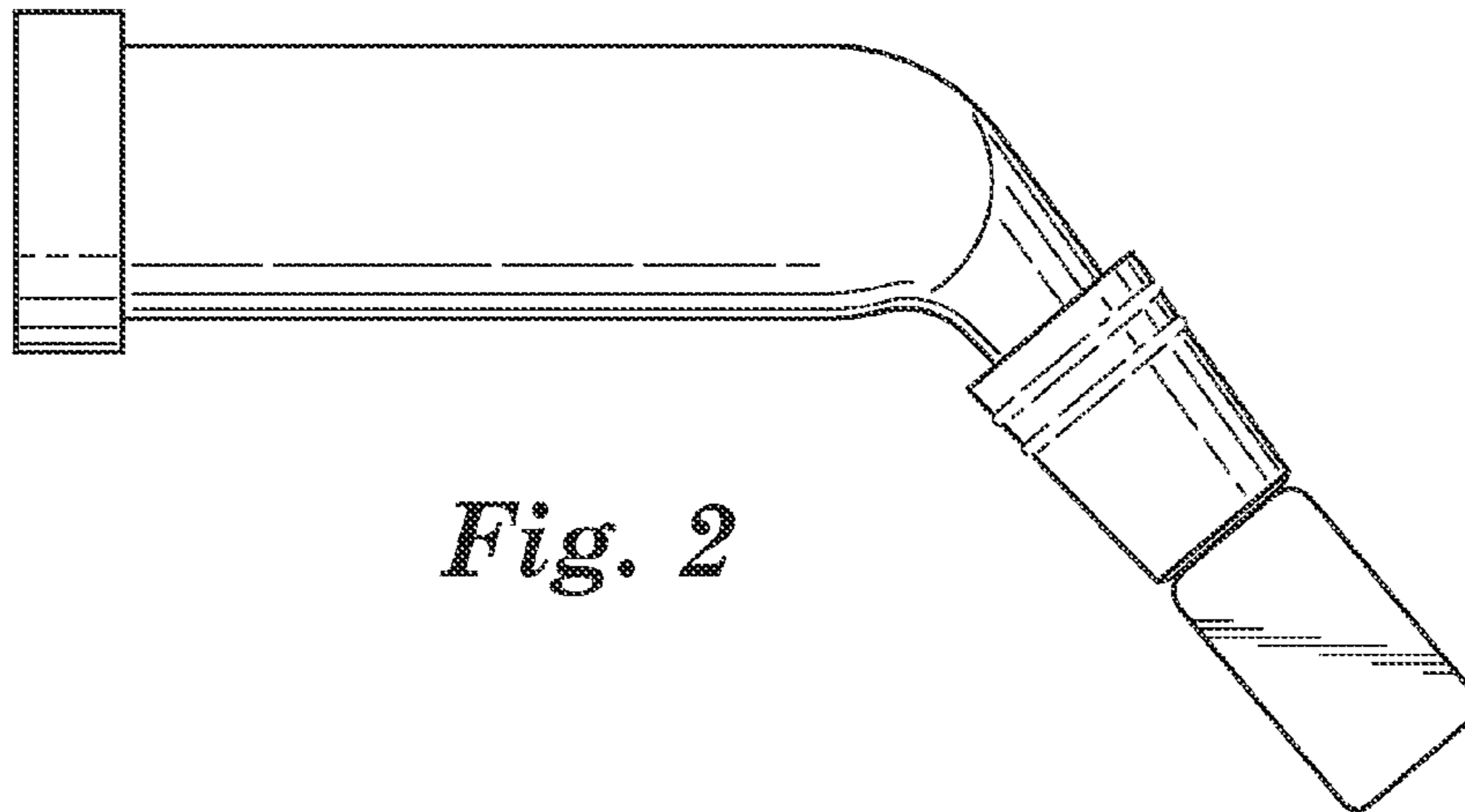


Fig. 2

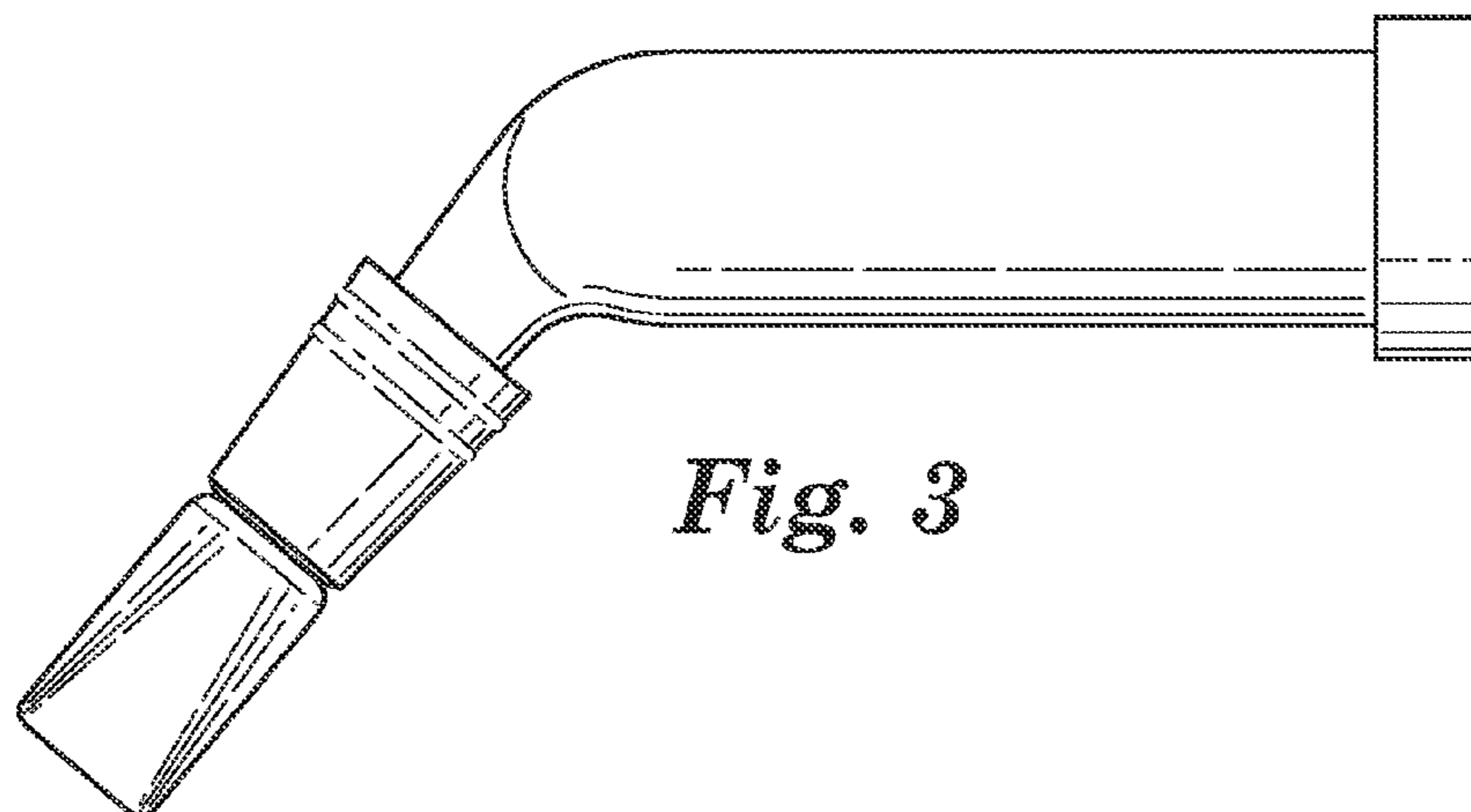


Fig. 3

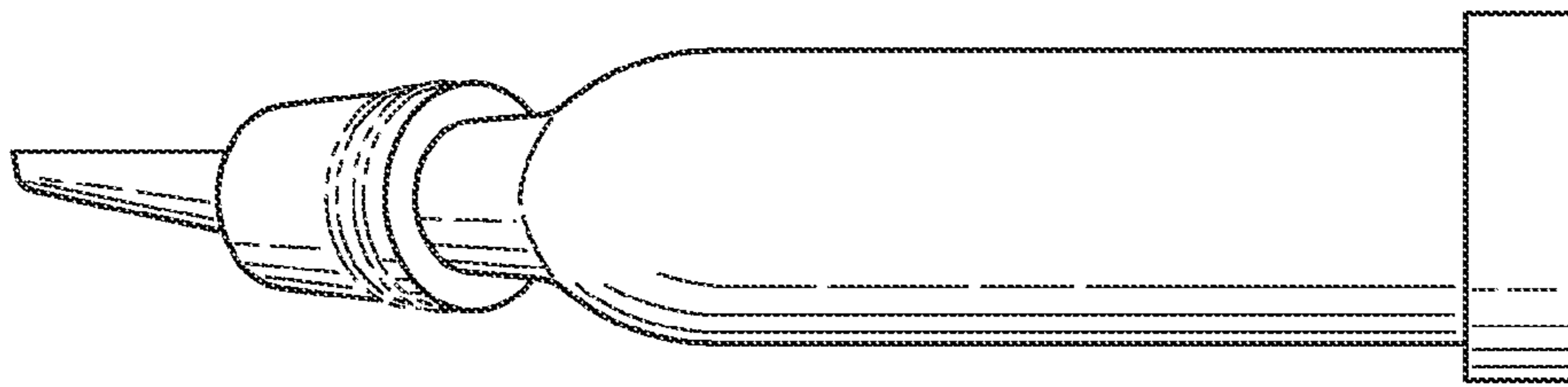


Fig. 4

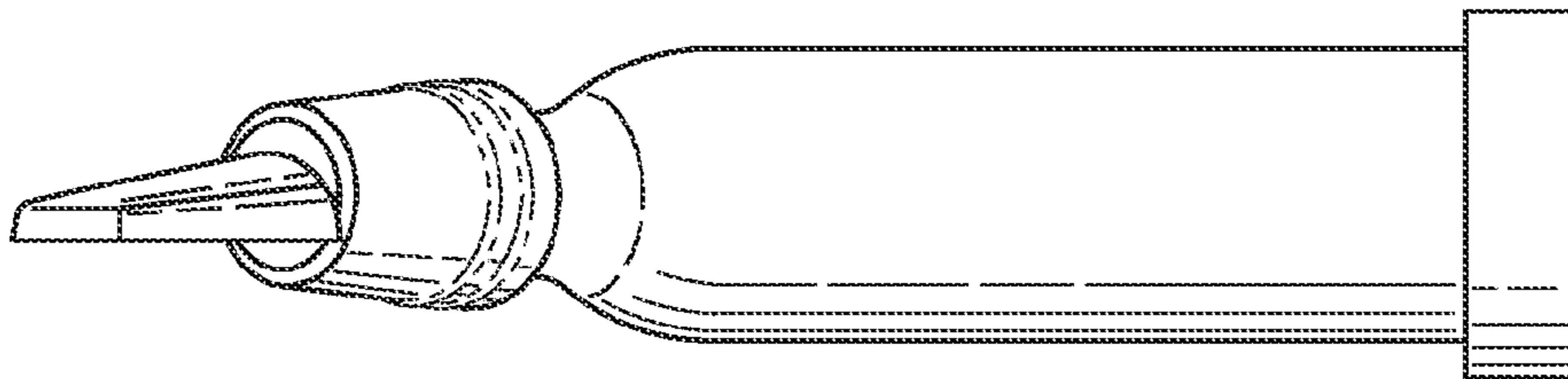


Fig. 5

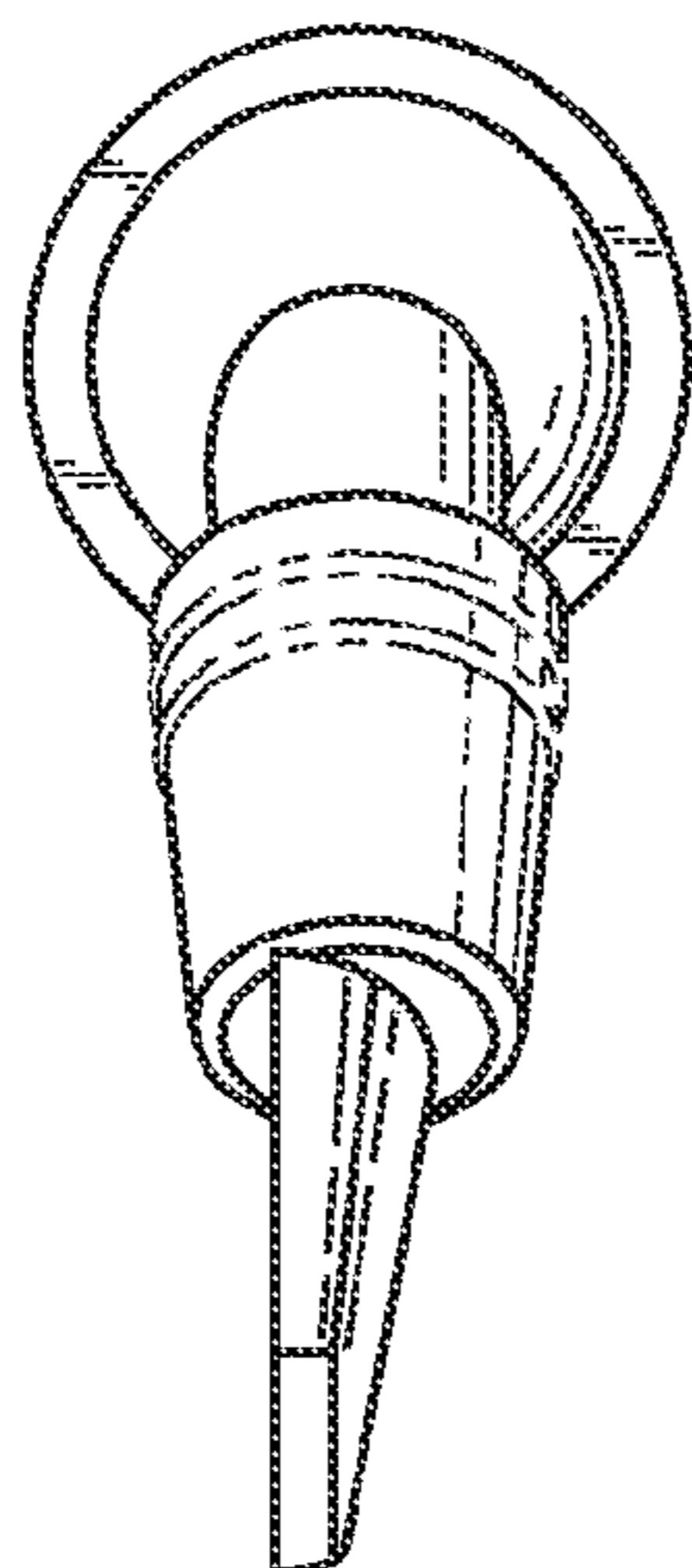


Fig. 6

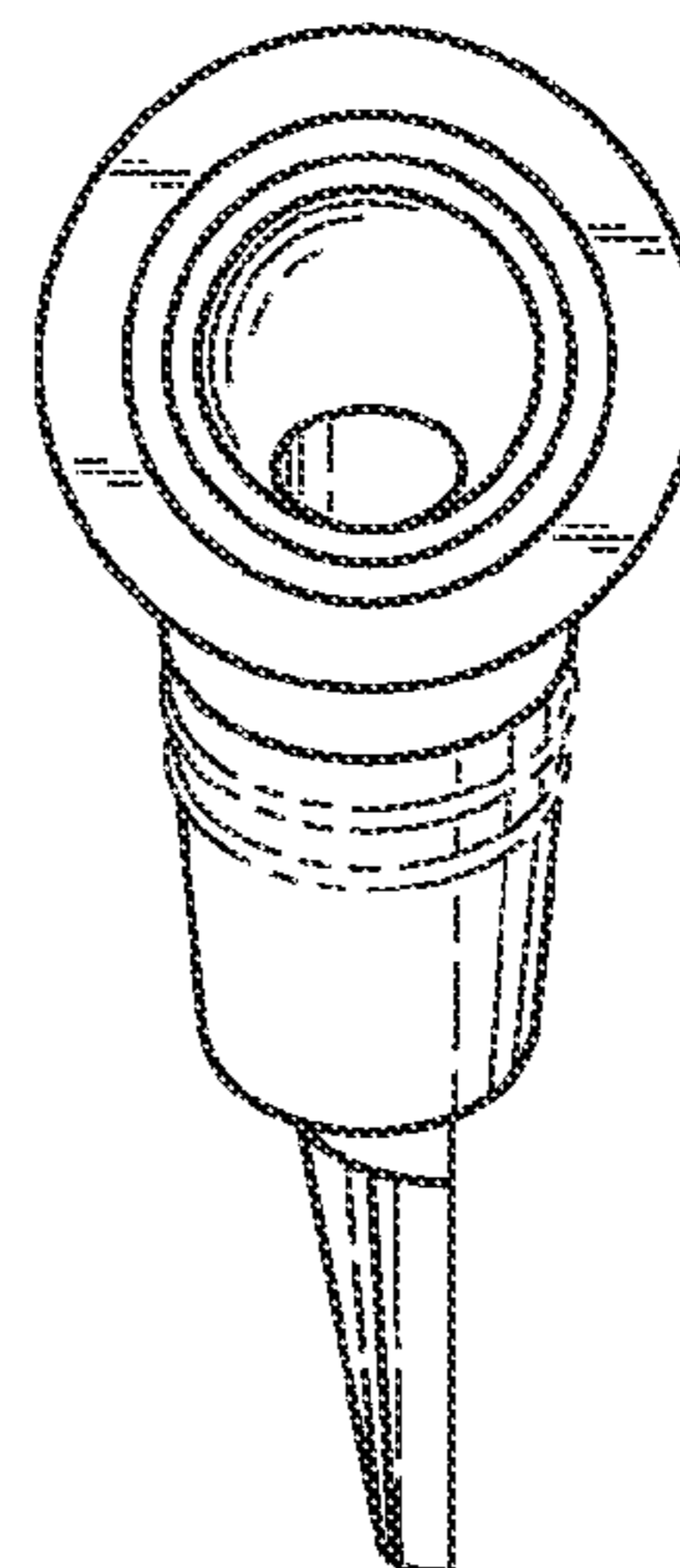


Fig. 7

UNITED STATES PATENT AND TRADEMARK OFFICE
CERTIFICATE OF CORRECTION

PATENT NO. : D585,138 S
APPLICATION NO. : 29/305433
DATED : January 20, 2009
INVENTOR(S) : Andreas Boehm

Page 1 of 1

It is certified that error appears in the above-identified patent and that said Letters Patent is hereby corrected as shown below:

Title Page

Column 2 (Description); Line 9, Delete "too" and insert -- to --, therefor.

Signed and Sealed this
Fourth Day of October, 2011

A handwritten signature in black ink that reads "David J. Kappos". The signature is written in a cursive style with a large initial "D" and "K".

David J. Kappos
Director of the United States Patent and Trademark Office