



US00D585137S

(12) **United States Design Patent**
Onoda et al.

(10) **Patent No.:** **US D585,137 S**
(45) **Date of Patent:** **** Jan. 20, 2009**

(54) **GLUCOSE METER**

(75) Inventors: **Akira Onoda**, Toon (JP); **Michael Woolsey**, Tarrytown, NY (US); **Derek Lok**, Tarrytown, NY (US); **Gerald Shaffer**, Tarrytown, NY (US)

(73) Assignees: **Panasonic Corporation**, Kadoma-shi (JP); **Bayer Healthcare LLC**, Tarrytown, NY (US)

(**) Term: **14 Years**

(21) Appl. No.: **29/280,796**

(22) Filed: **Jun. 7, 2007**

(30) **Foreign Application Priority Data**

Dec. 7, 2006 (JP) 2006-033777

(51) **LOC (9) Cl.** **24-01**

(52) **U.S. Cl.** **D24/169**

(58) **Field of Classification Search** D24/165-169, D24/186; D10/78, 81; 600/309, 316, 322, 600/365, 368; 422/58, 61, 68.1

See application file for complete search history.

(56) **References Cited**

U.S. PATENT DOCUMENTS

- D369,216 S 4/1996 Micinski
- D369,864 S 5/1996 Petersen
- D371,440 S 7/1996 Petersen
- D429,527 S * 8/2000 Bolam et al. D24/169
- D440,312 S * 4/2001 Bertrand et al. D24/169
- D452,564 S 12/2001 Micinski
- D456,514 S 4/2002 Brown
- D460,557 S 7/2002 Steinberg
- D460,823 S 7/2002 Steinberg
- D469,107 S 1/2003 Miller
- D472,834 S * 4/2003 Ueda et al. D10/98
- D473,310 S 4/2003 Schlagheck
- D484,600 S * 12/2003 Kaar et al. D24/169
- D502,654 S * 3/2005 Nishiura et al. D10/70
- D522,656 S * 6/2006 Orr et al. D24/169

- D546,456 S * 7/2007 May D24/186
- D555,021 S * 11/2007 Rounds et al. D10/81
- 2003/0223906 A1 * 12/2003 McAllister et al. 422/58
- 2006/0182658 A1 * 8/2006 Wu et al. 422/68.1

FOREIGN PATENT DOCUMENTS

- JP D 1145566 S 7/2002
- JP D 1145580 S 7/2002
- JP D 1145581 S 7/2002
- JP D 1192909 S 12/2003
- JP D 1192910 S 12/2003
- JP D 1192911 S 12/2003
- JP D 1192912 S 12/2003
- JP D 1192913 S 12/2003
- JP D 1192914 S 12/2003
- JP D 1206919 S 5/2007
- JP D 1206920 S 5/2007
- JP D 1206921 S 5/2007
- JP D 1206922 S 5/2007
- JP D 1206923 S 5/2007

* cited by examiner

Primary Examiner—Louis S Zarfaz

Assistant Examiner—Anhdao Doan

(74) *Attorney, Agent, or Firm*—Christensen O'Connor Johnson Kindness PLLC

(57) **CLAIM**

The ornamental design for a glucose meter, as shown and described.

DESCRIPTION

FIG. 1 is a perspective view of the front, right side and bottom of a glucose meter showing our new design;

FIG. 2 is a front view thereof;

FIG. 3 is a rear view thereof;

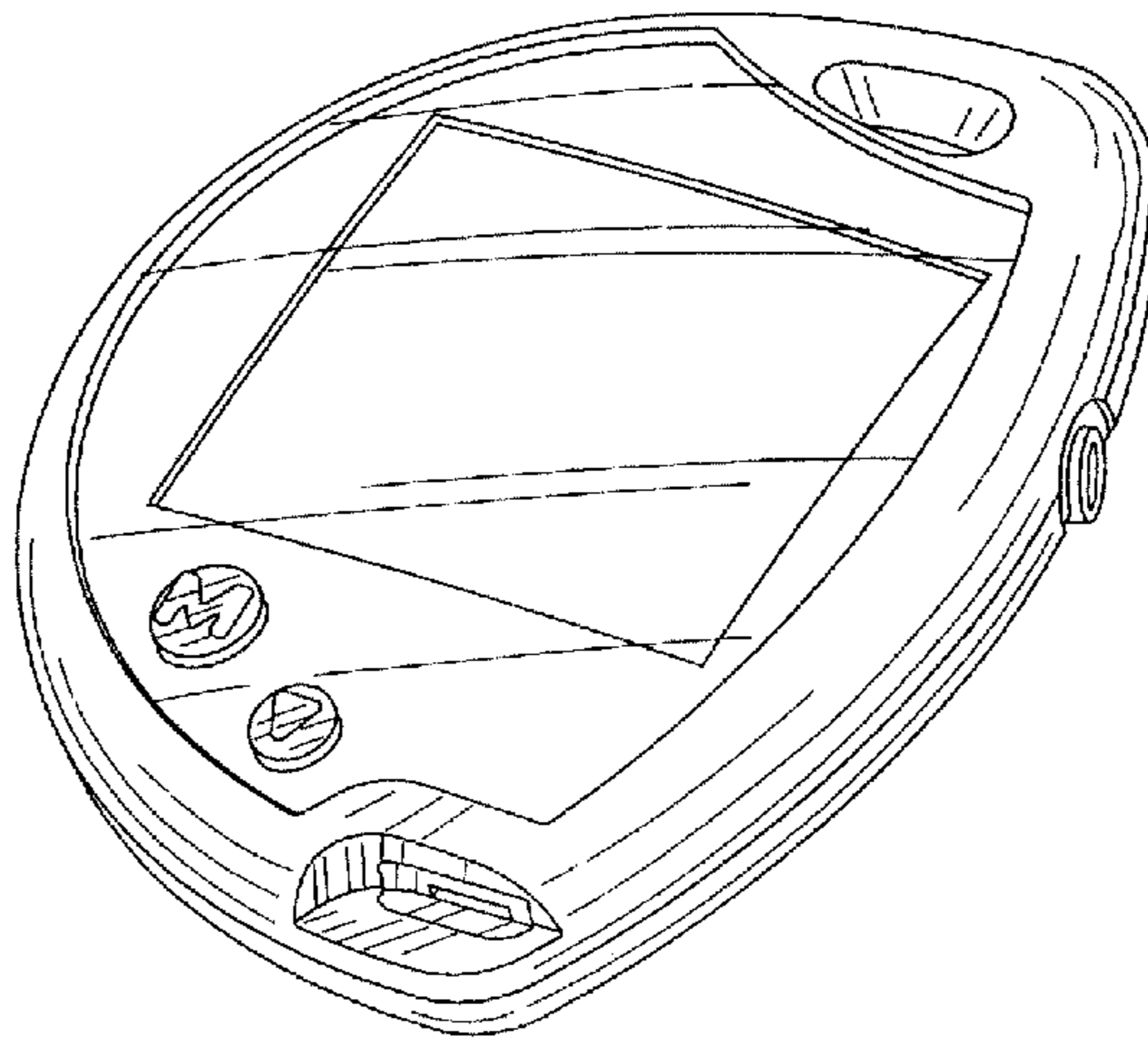
FIG. 4 is a left side view thereof;

FIG. 5 is a right side view thereof;

FIG. 6 is a top plan view thereof; and,

FIG. 7 is a bottom view thereof.

1 Claim, 4 Drawing Sheets



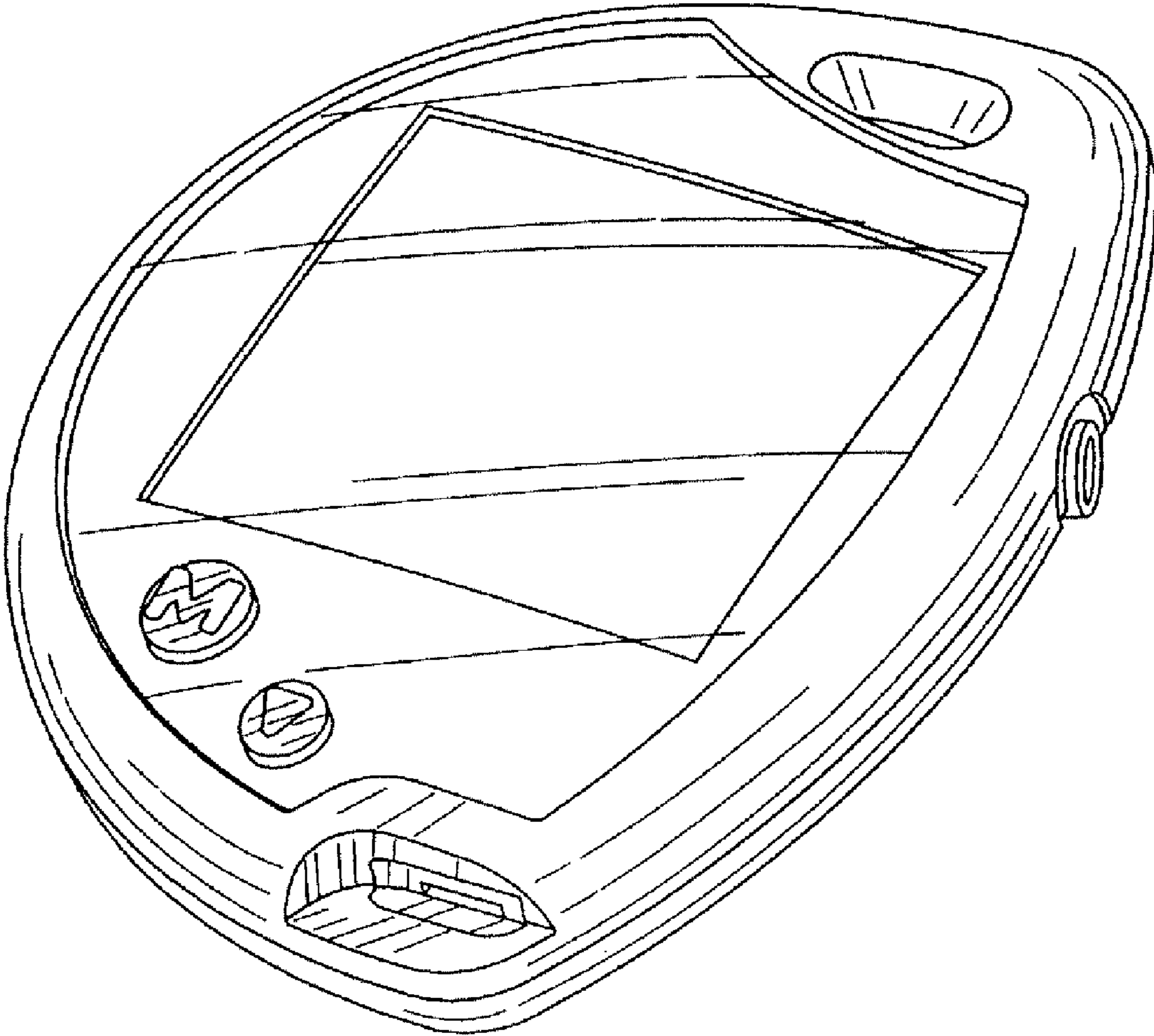


FIG. 1

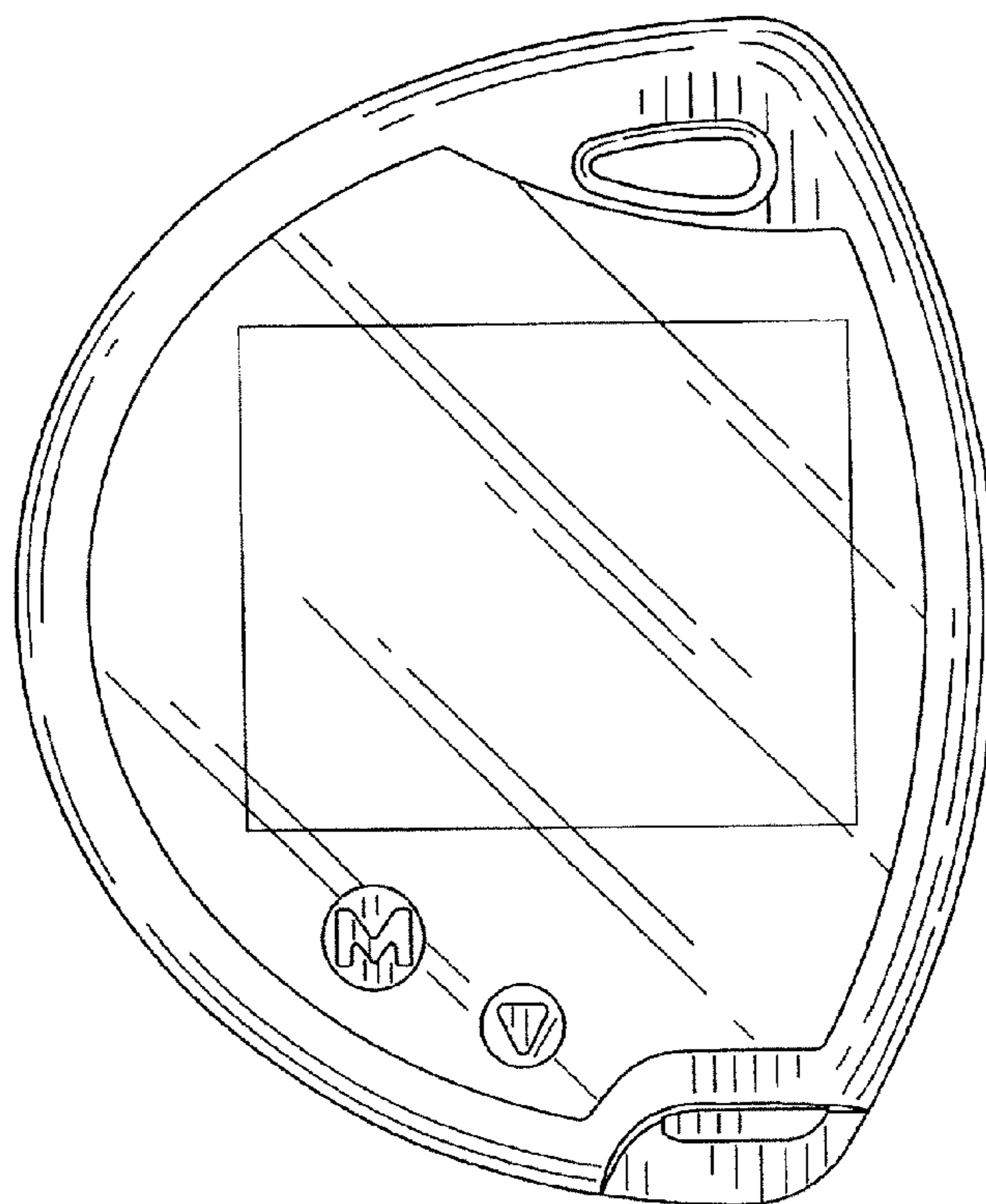


FIG. 2

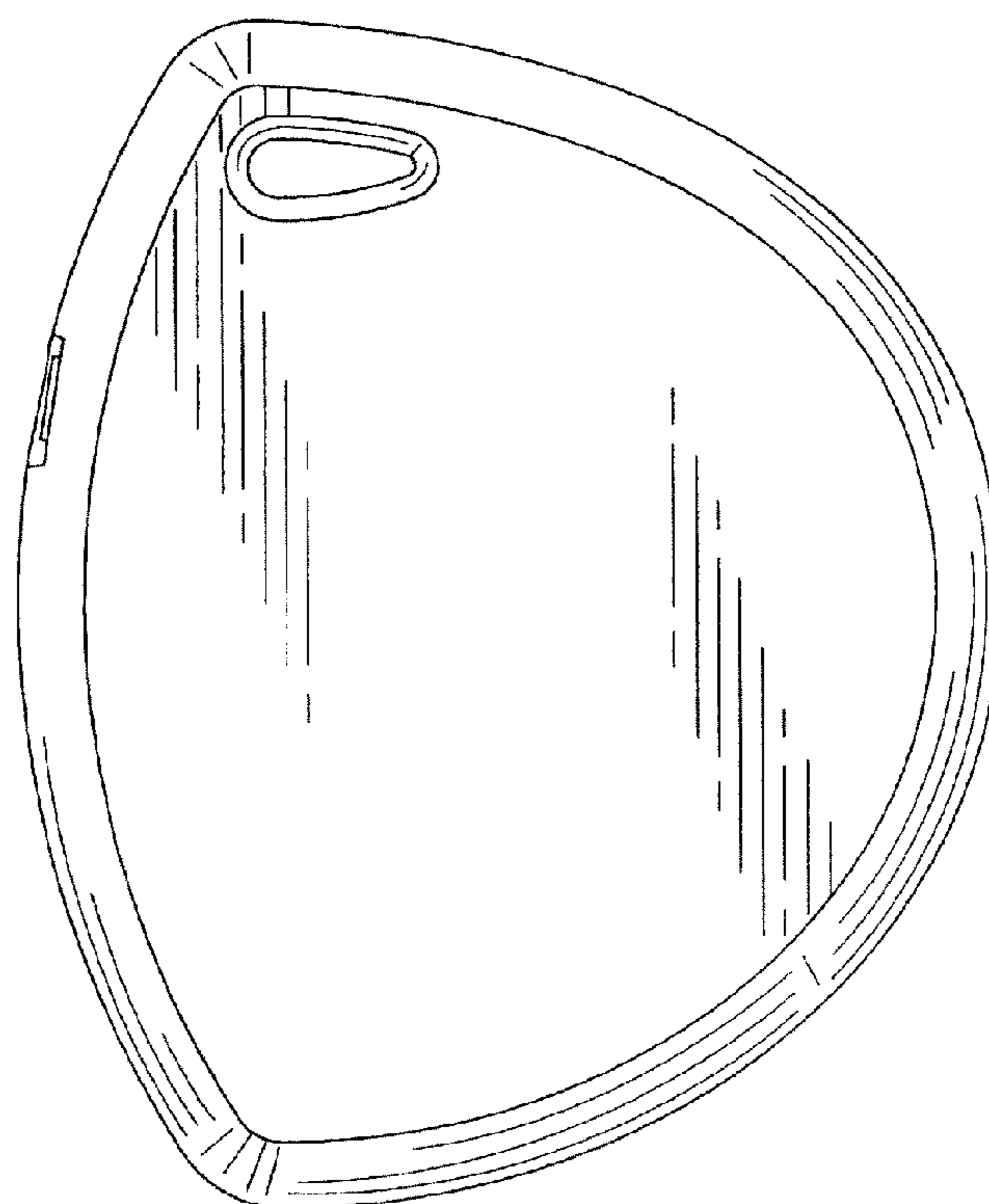


FIG. 3

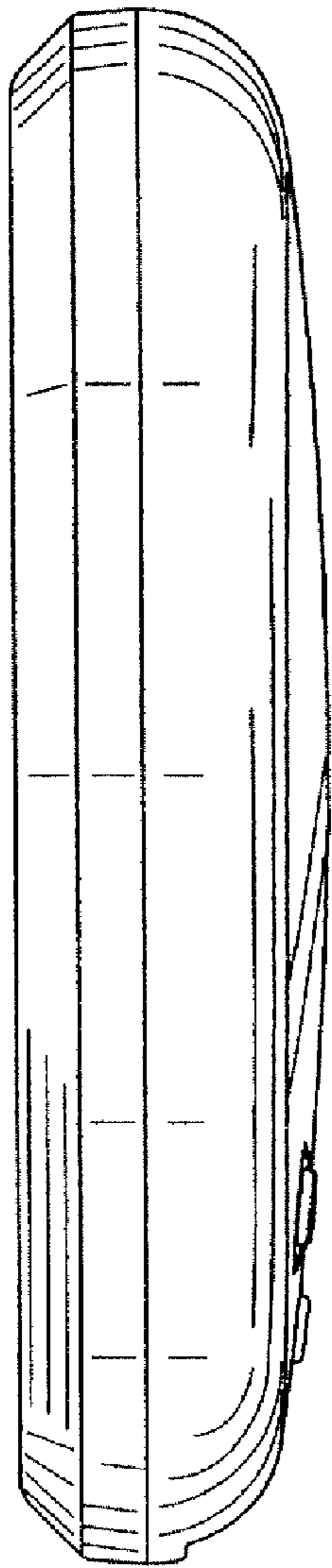


FIG. 4

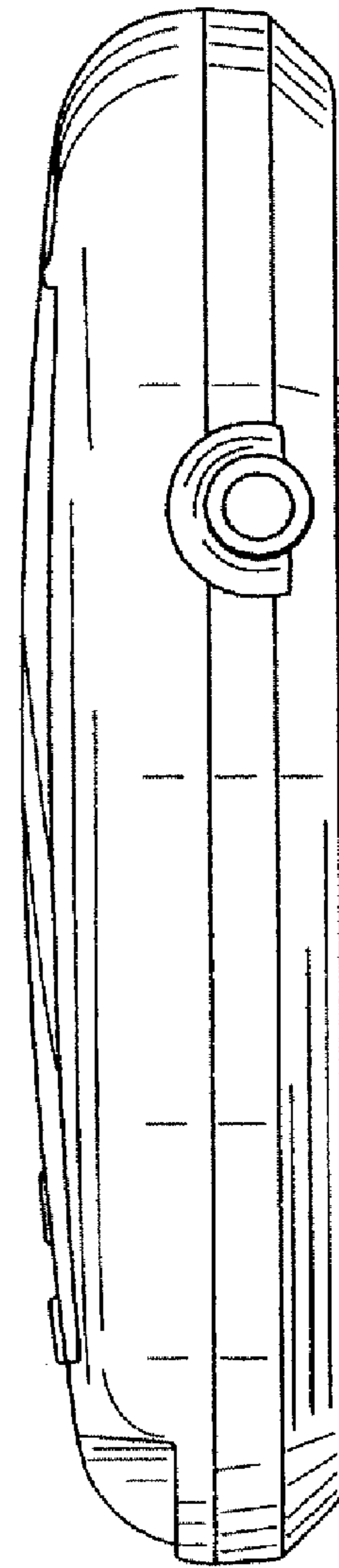


FIG. 5

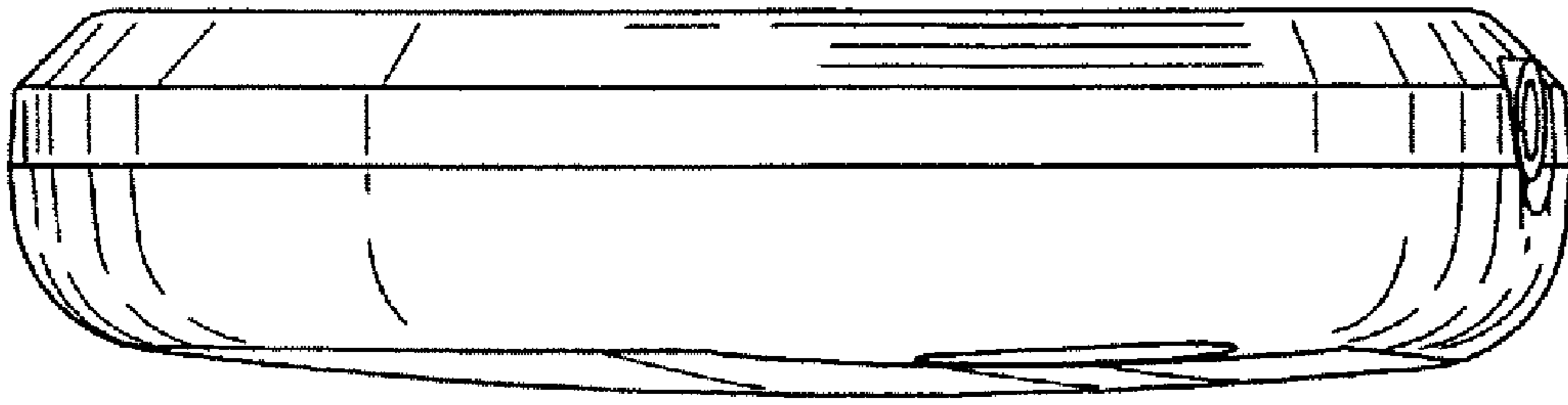


FIG. 6

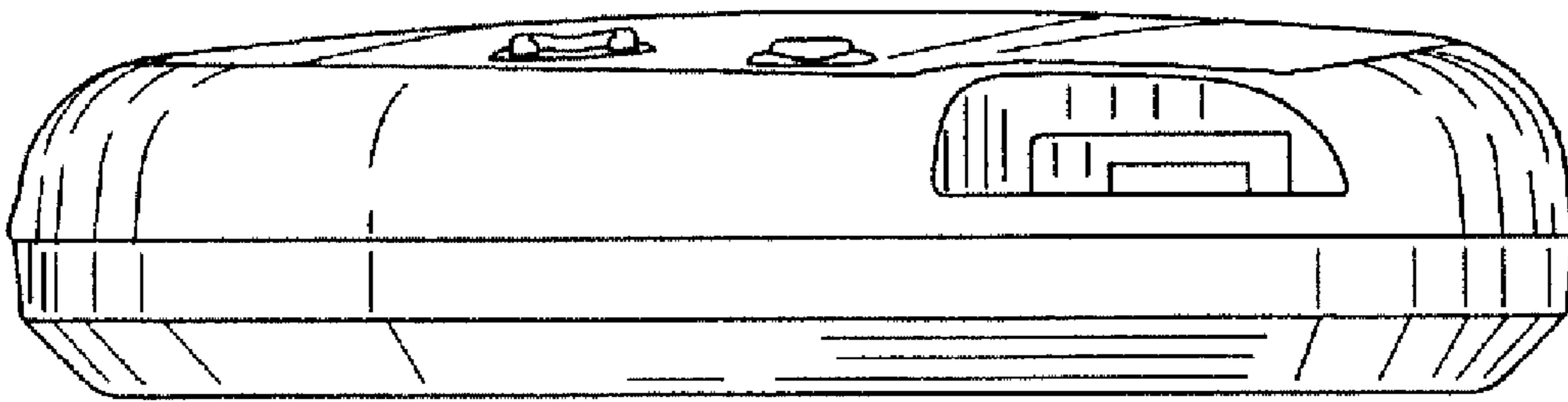


FIG. 7