



US00D585129S

(12) **United States Design Patent**  
**Huang**

(10) **Patent No.:** **US D585,129 S**  
(45) **Date of Patent:** **\*\* Jan. 20, 2009**

(54) **AROMATIC DEVICE**  
(75) Inventor: **Chi Chuan Huang**, Taipei County (TW)  
(73) Assignee: **Aromate Industries Co., Ltd.**, Taipei County (TW)  
(\*\*) Term: **14 Years**  
(21) Appl. No.: **29/302,417**  
(22) Filed: **Jan. 16, 2008**

D436,536 S \* 1/2001 Levi ..... D9/447  
D441,441 S \* 5/2001 Upson ..... D23/366  
D443,924 S \* 6/2001 Renella ..... D23/366  
6,244,518 B1 \* 6/2001 Pogue ..... 239/36  
D464,720 S \* 10/2002 Lohkamp ..... D23/355  
6,631,852 B1 \* 10/2003 O'Leary ..... 239/60  
D491,257 S \* 6/2004 Picken, Jr. .... D23/366  
D550,345 S \* 9/2007 Weggelaar ..... D23/366  
D555,778 S \* 11/2007 Fellows et al. .... D23/366  
D565,715 S \* 4/2008 Wu ..... D23/366

\* cited by examiner

*Primary Examiner*—Sandra Snapp  
(74) *Attorney, Agent, or Firm*—Rabin & Berdo, P.C.

(51) **LOC (9) Cl.** ..... **28-99**  
(52) **U.S. Cl.** ..... **D23/366**  
(58) **Field of Classification Search** ..... D23/355–396;  
261/DIG. 17, DIG. 43, DIG. 65, DIG. 88,  
261/DIG. 89; 239/34, 35, 53, 56, 57, 60,  
239/136, 326; 392/386, 394, 395; D28/5,  
D28/6

(57) **CLAIM**

The ornamental design for an aromatic device, as shown and described.

See application file for complete search history.

**DESCRIPTION**

(56) **References Cited**

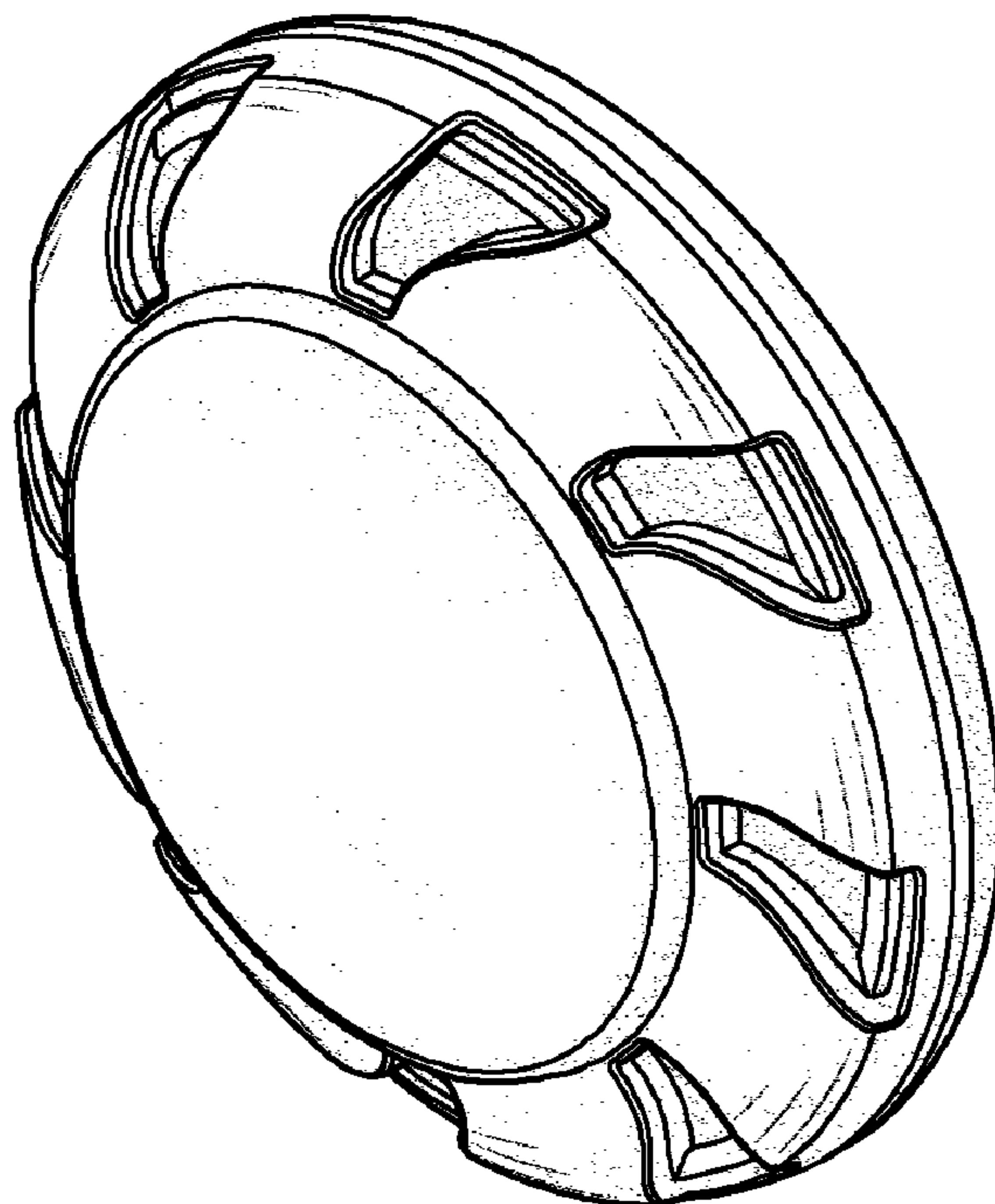
**U.S. PATENT DOCUMENTS**

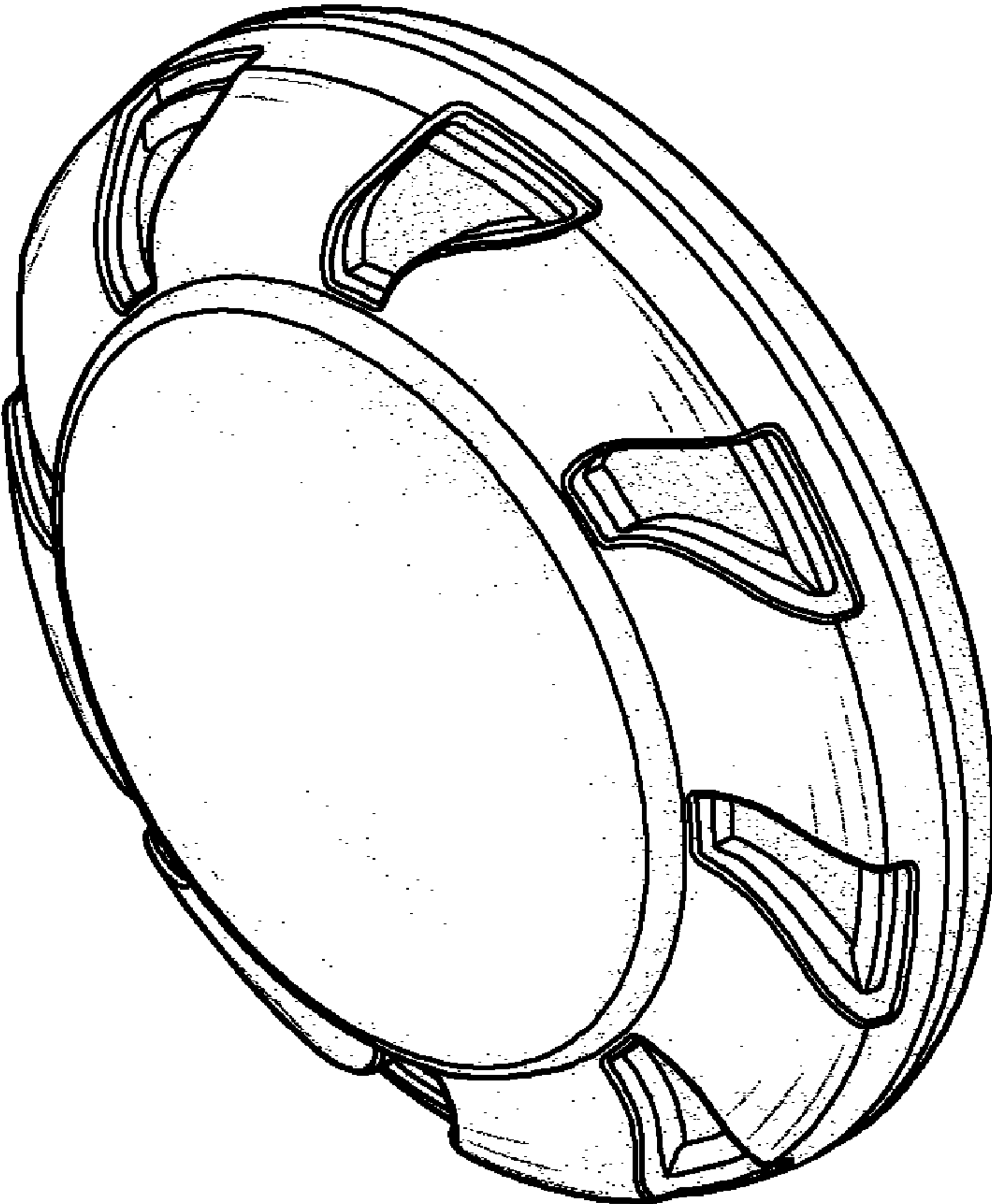
1,499,864 A \* 7/1924 Gordon ..... 55/484  
D84,785 S \* 8/1931 Keim ..... D23/368  
D246,052 S \* 10/1977 Hatai ..... D23/366  
D255,263 S \* 6/1980 Mandon et al. .... D23/369  
D268,520 S \* 4/1983 LeCaire, Jr. .... D23/369  
D323,383 S \* 1/1992 Keays et al. .... D23/366  
D367,924 S \* 3/1996 Patel et al. .... D23/369  
D372,079 S \* 7/1996 Fago et al. .... D23/365  
D375,350 S \* 11/1996 Patel et al. .... D23/366  
5,624,230 A \* 4/1997 Taylor et al. .... 416/5  
D399,945 S \* 10/1998 Bonomo et al. .... D23/369  
D403,758 S \* 1/1999 Bryson et al. .... D23/366

FIG. 1 is a perspective view of an aromatic device showing my new design;  
FIG. 2 is a front view thereof;  
FIG. 3 is a back view thereof;  
FIG. 4 is a left side view thereof;  
FIG. 5 is a right side view thereof;  
FIG. 6 is a top view thereof; and,  
FIG. 7 is a bottom view thereof.

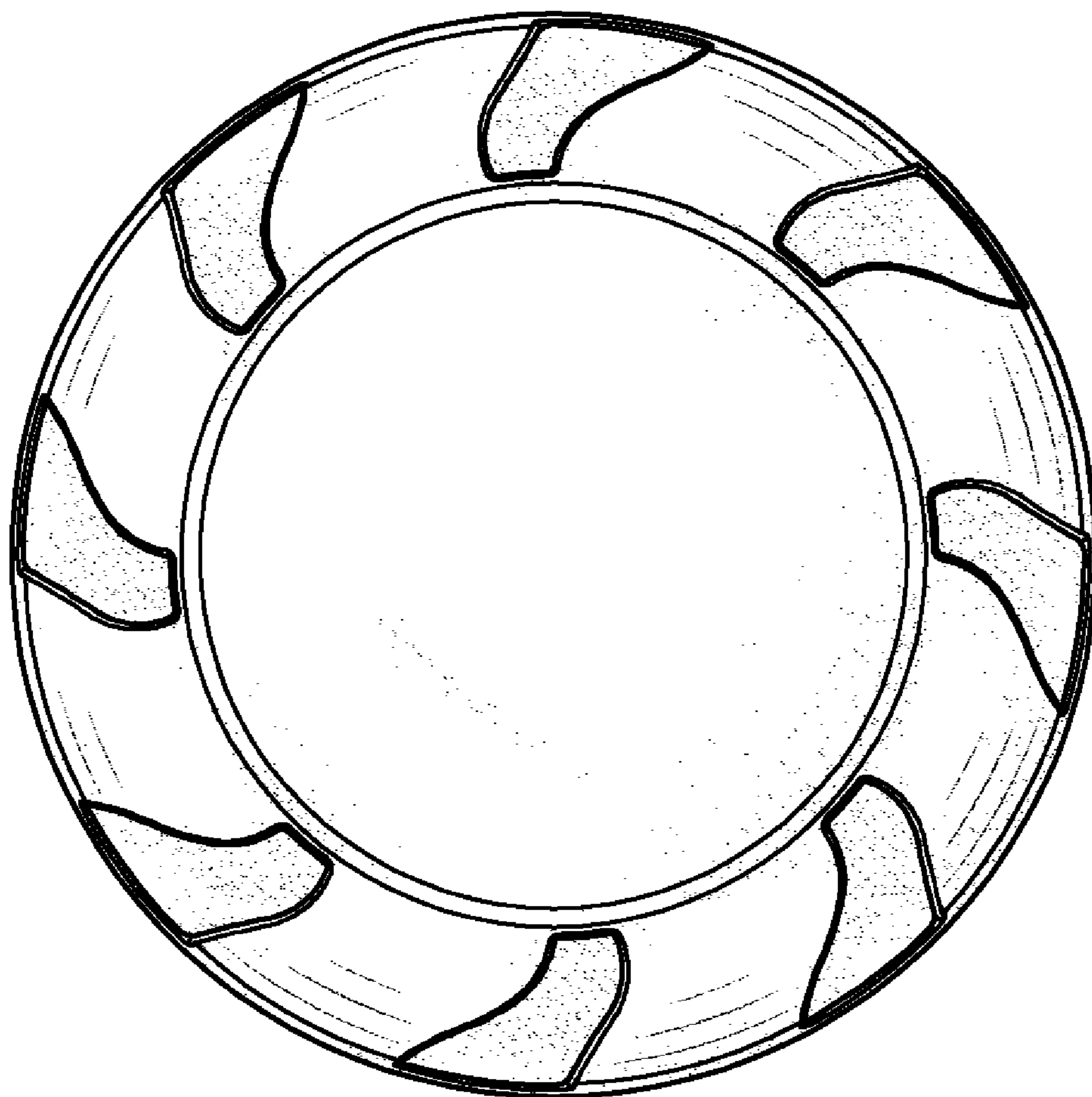
The broken lines shown in the drawings are for illustrative purposes only and form no part of the claimed design.

**1 Claim, 6 Drawing Sheets**

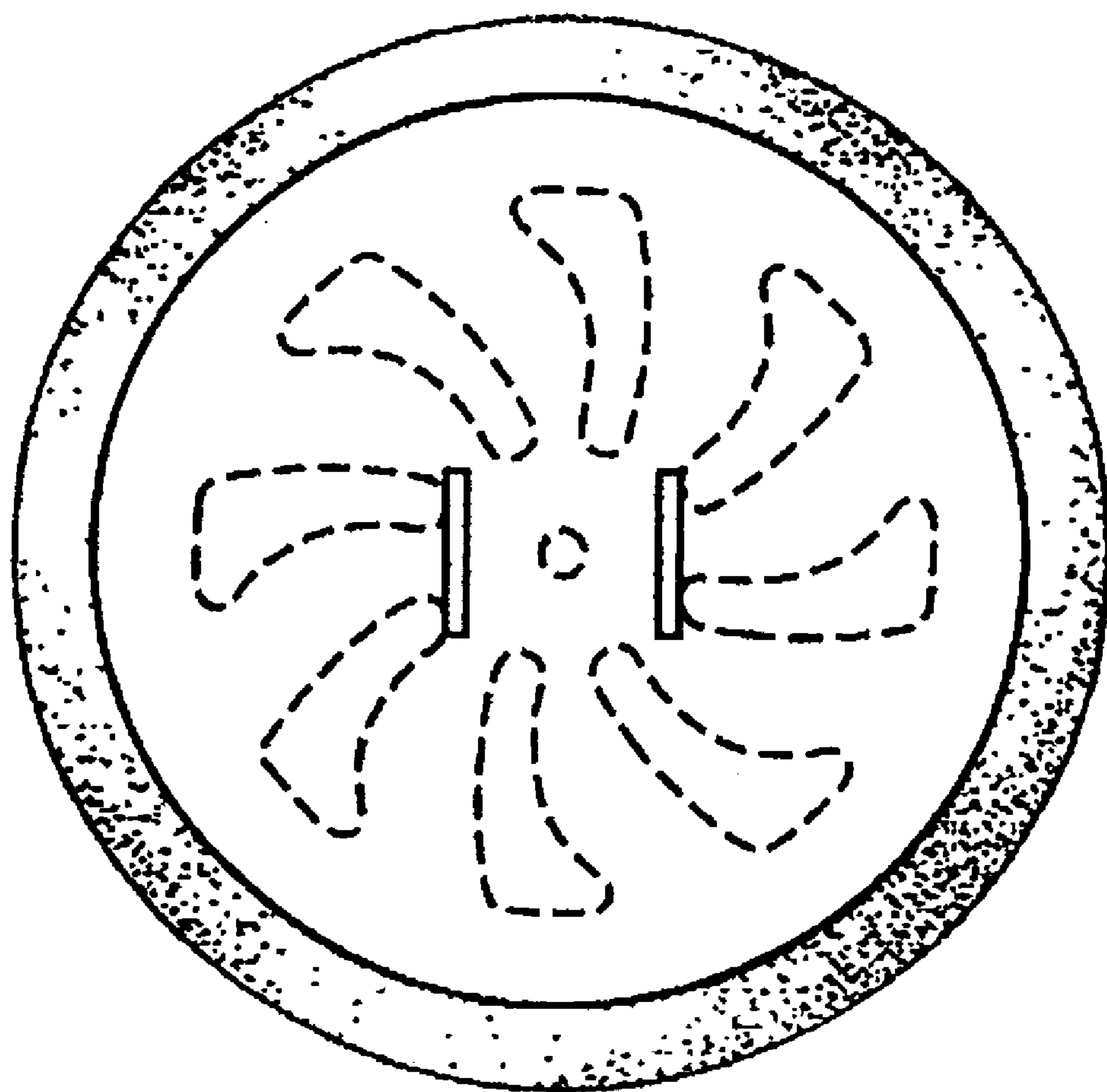




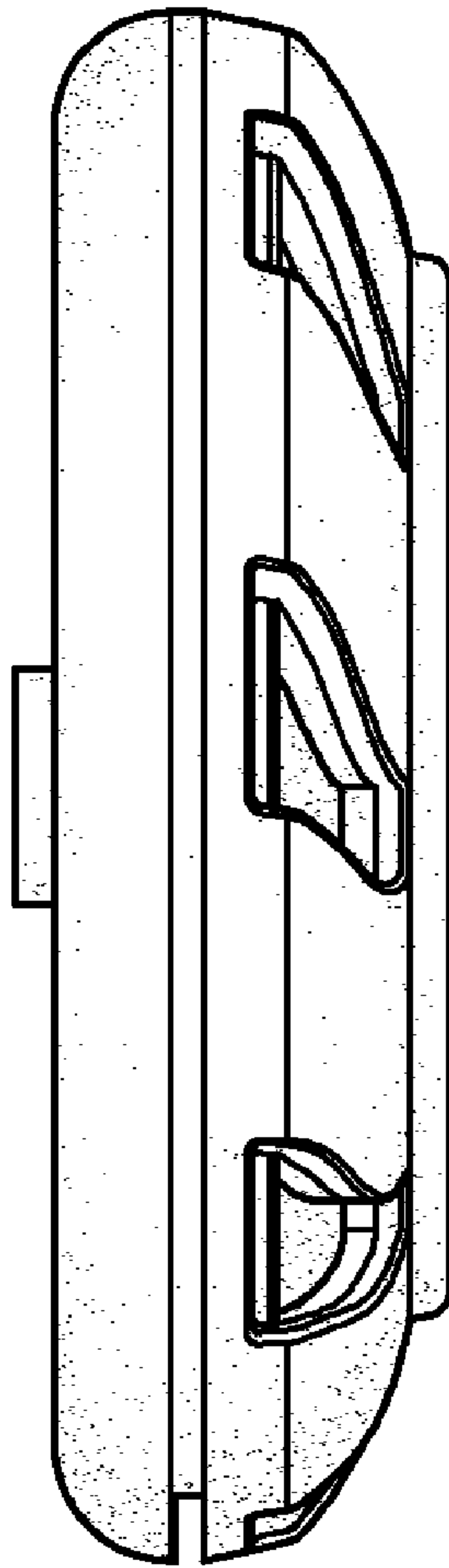
*FIG. 1*



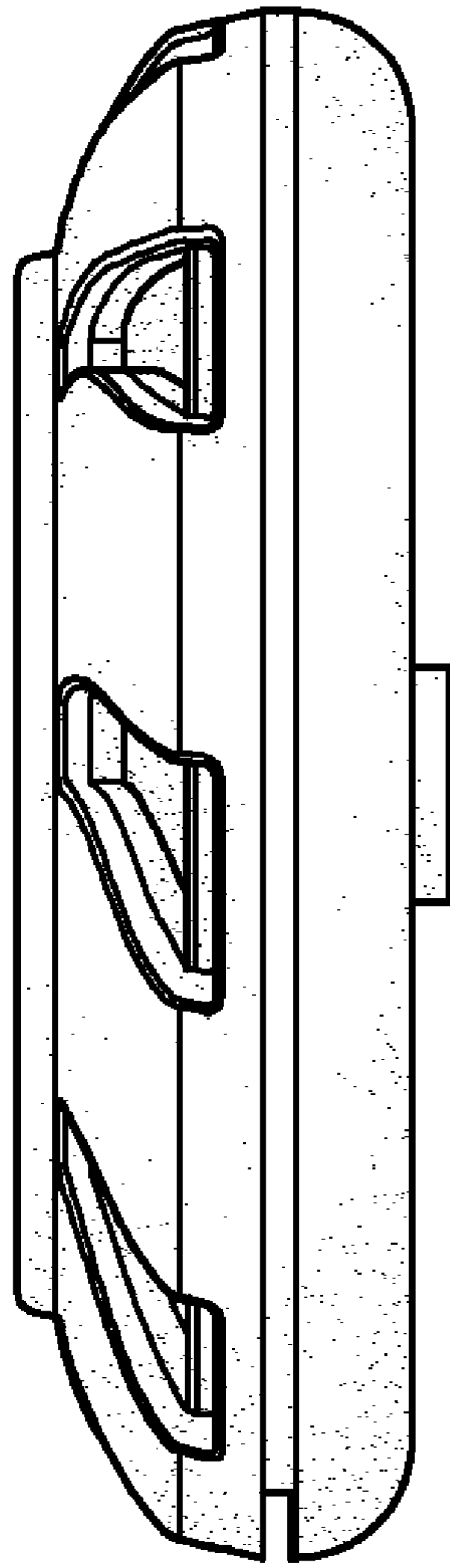
*FIG. 2*



*FIG. 3*



*FIG. 4*



*FIG. 5*



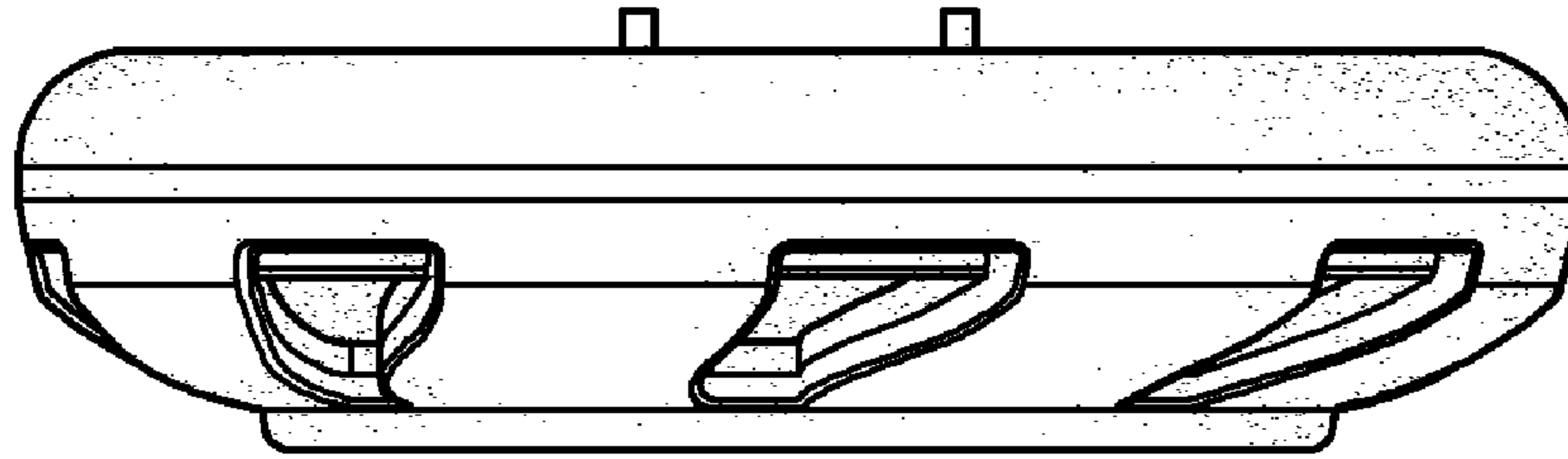


FIG. 6

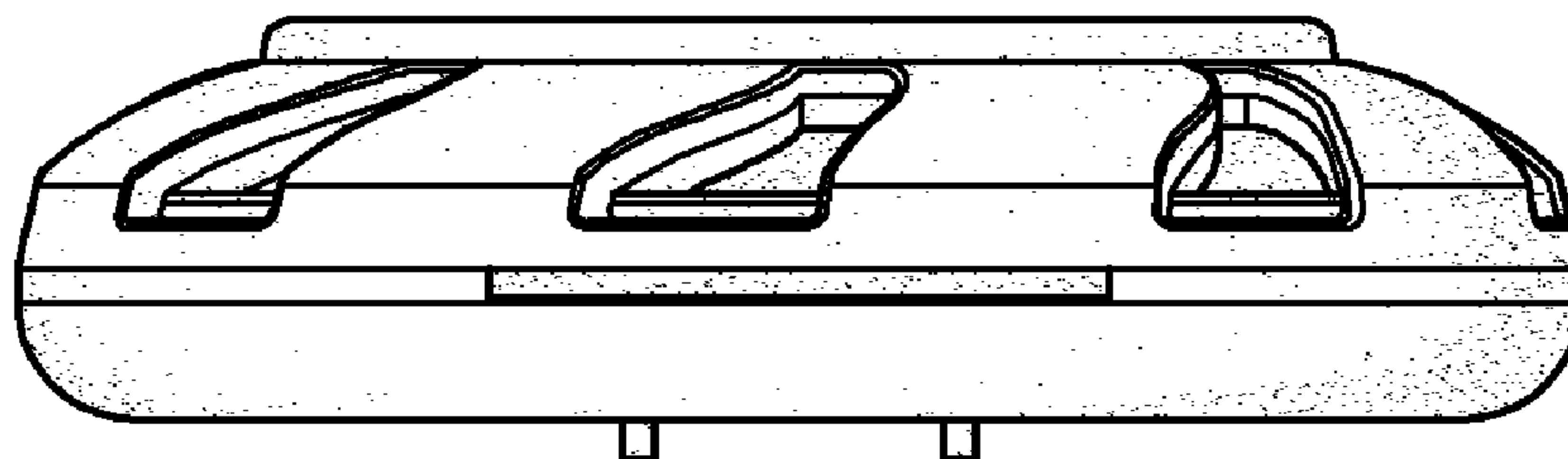


FIG. 7