



US00D585124S

(12) **United States Design Patent**
Ziemann

(10) **Patent No.:** **US D585,124 S**

(45) **Date of Patent:** **** Jan. 20, 2009**

(54) **SINK**

(75) Inventor: **Brigitte Ziemann**, Eppingen (DE)

(73) Assignee: **BLANCO GmbH & Co KG**,
Oberderdingen (DE)

(**) Term: **14 Years**

(21) Appl. No.: **29/284,772**

(22) Filed: **Sep. 14, 2007**

(51) **LOC (9) Cl.** **23-02**

(52) **U.S. Cl.** **D23/290**

(58) **Field of Classification Search** D23/284,
D23/287, 291-293.1, 303, 308, 290; 4/630,
4/631, 637, 638, 661, 639-642
See application file for complete search history.

(56) **References Cited**

U.S. PATENT DOCUMENTS

D174,749 S * 5/1955 Harris D23/287
D243,241 S * 2/1977 Doman D23/284

D259,439 S * 6/1981 Doman D23/287
D313,841 S * 1/1991 Bulthaupt D23/287
D329,491 S * 9/1992 Bonnell et al. D23/284

* cited by examiner

Primary Examiner—Robert A Delehanty

(74) *Attorney, Agent, or Firm*—Hanley, Flight, &
Zimmerman, LLC

(57) **CLAIM**

The ornamental design for a “sink,” as shown and described.

DESCRIPTION

FIG. 1 is a perspective view of the sink;

FIG. 2 is a top plan view of the sink;

FIG. 3 is a bottom view of the sink;

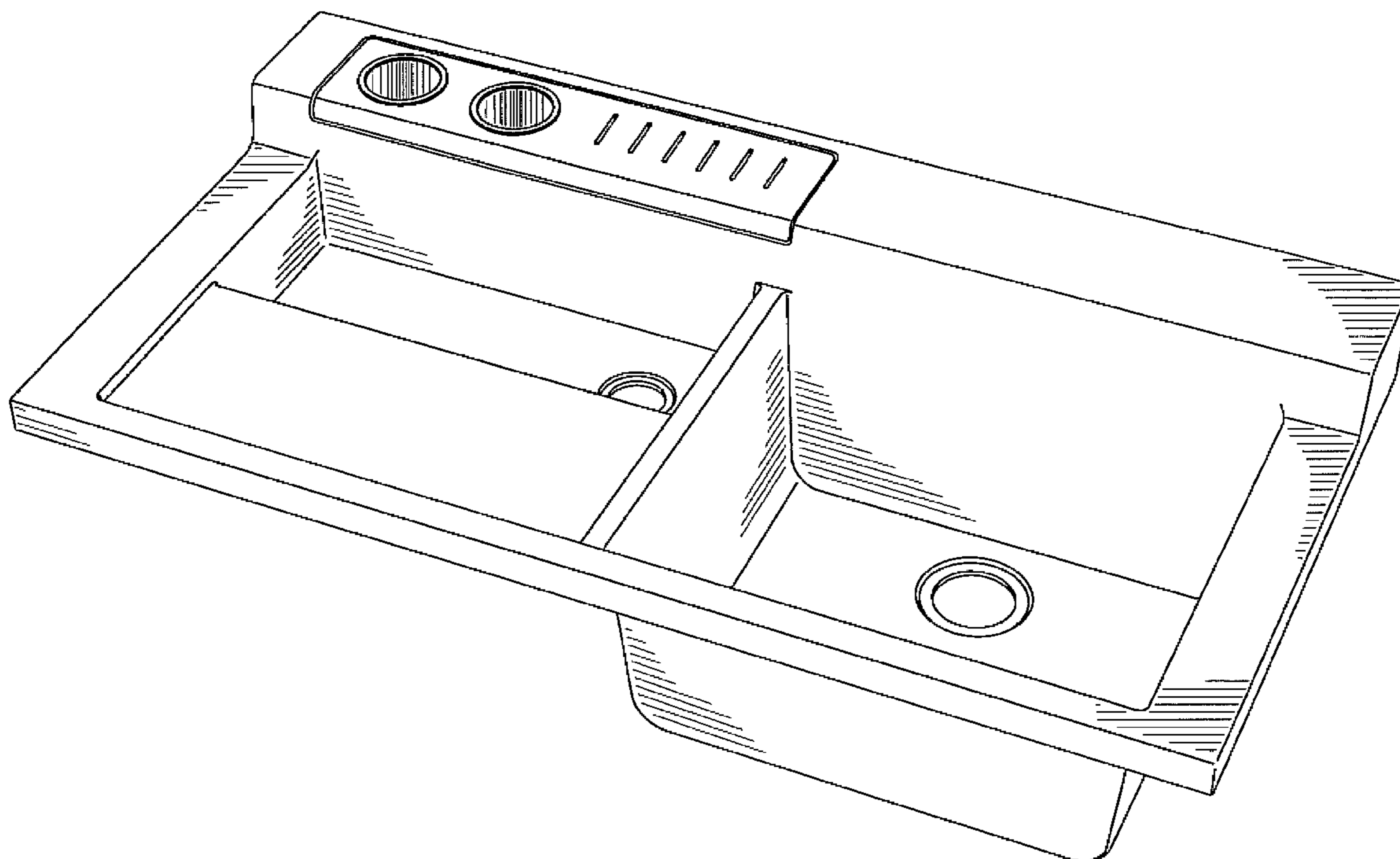
FIG. 4 is a front view of the sink;

FIG. 5 is a rear view of the sink;

FIG. 6 is a left side view of the sink; and,

FIG. 7 is a right side view of the sink.

1 Claim, 7 Drawing Sheets



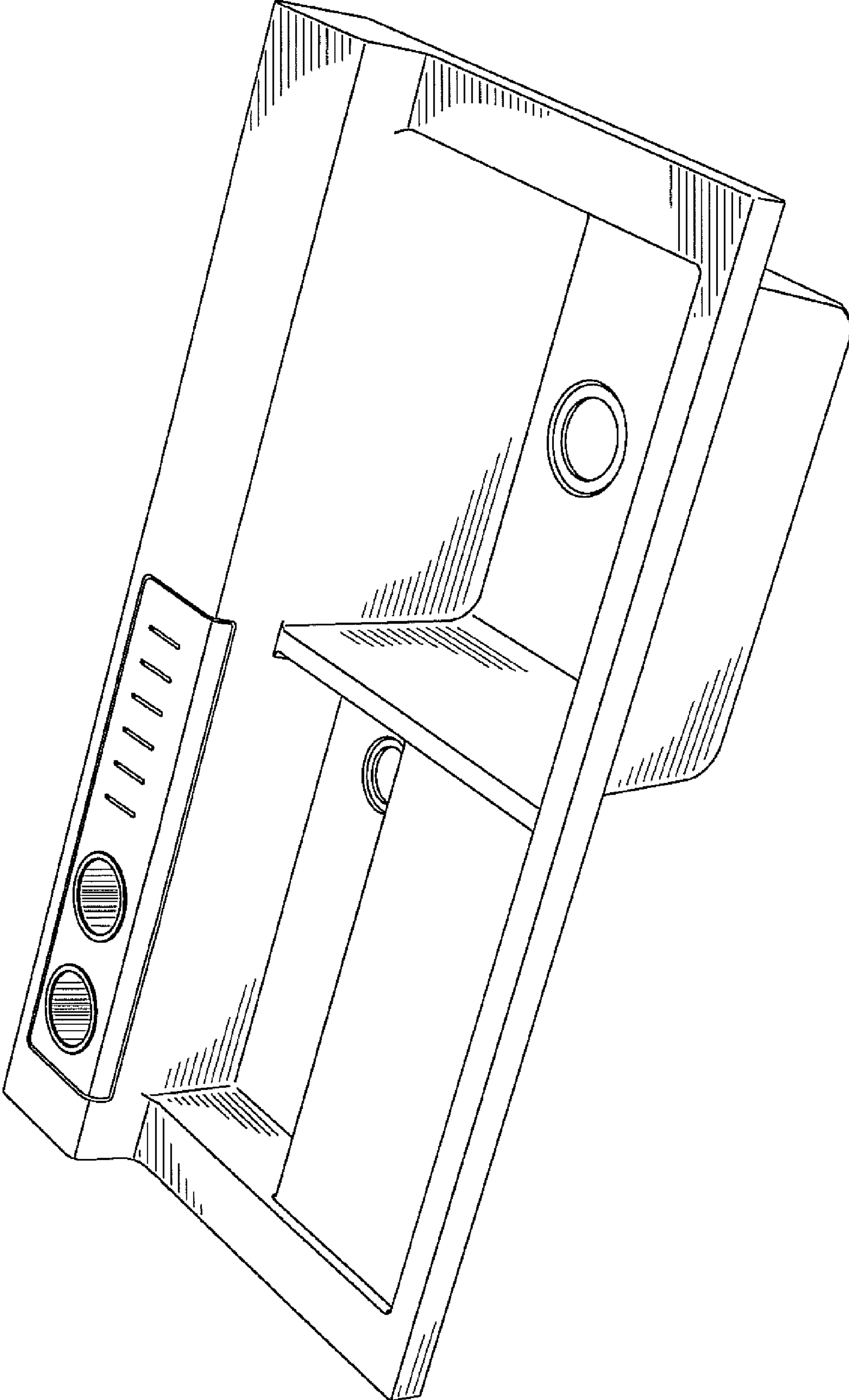


FIG. 1

FIG. 2

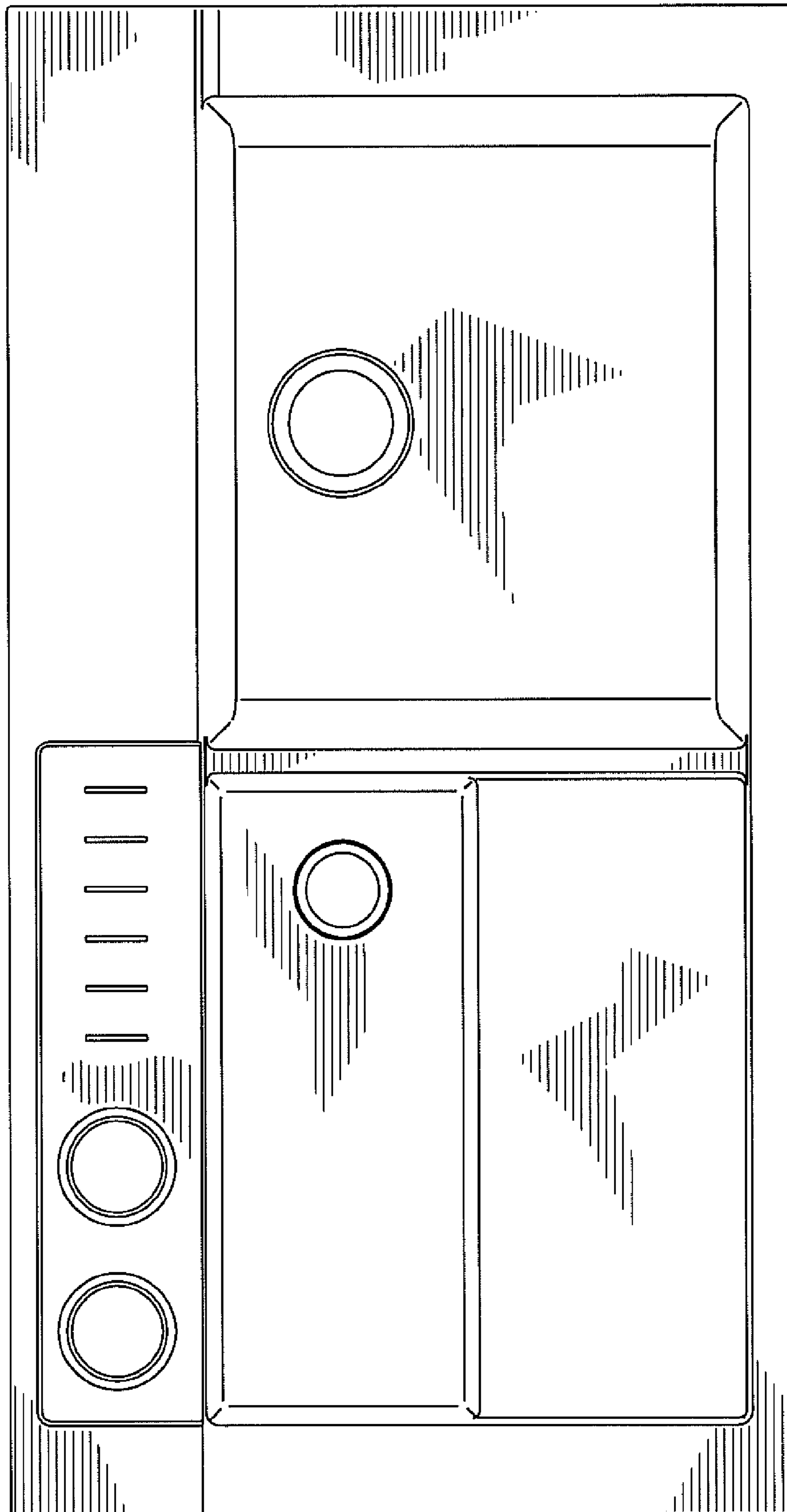


FIG. 3

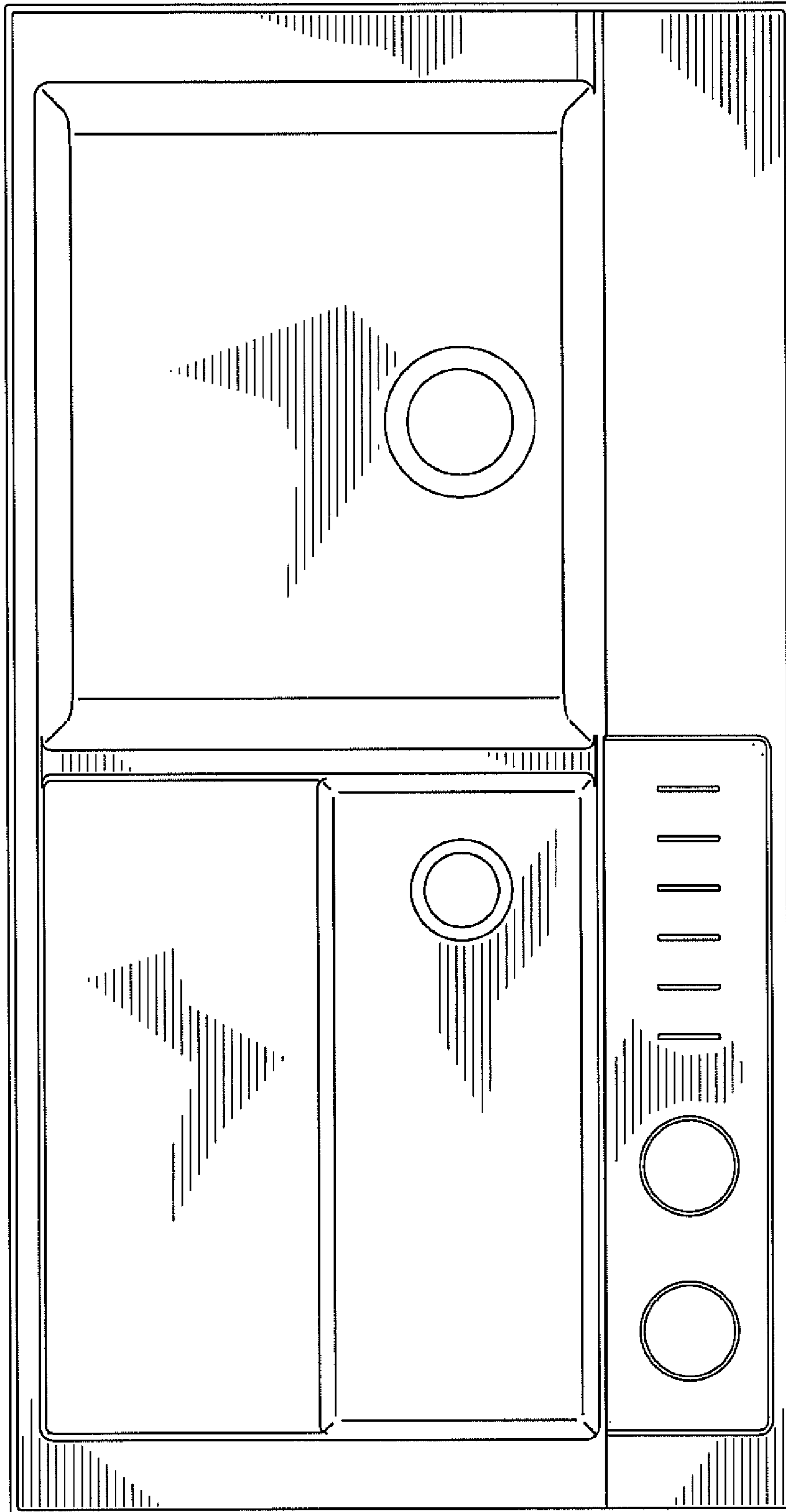


FIG. 4

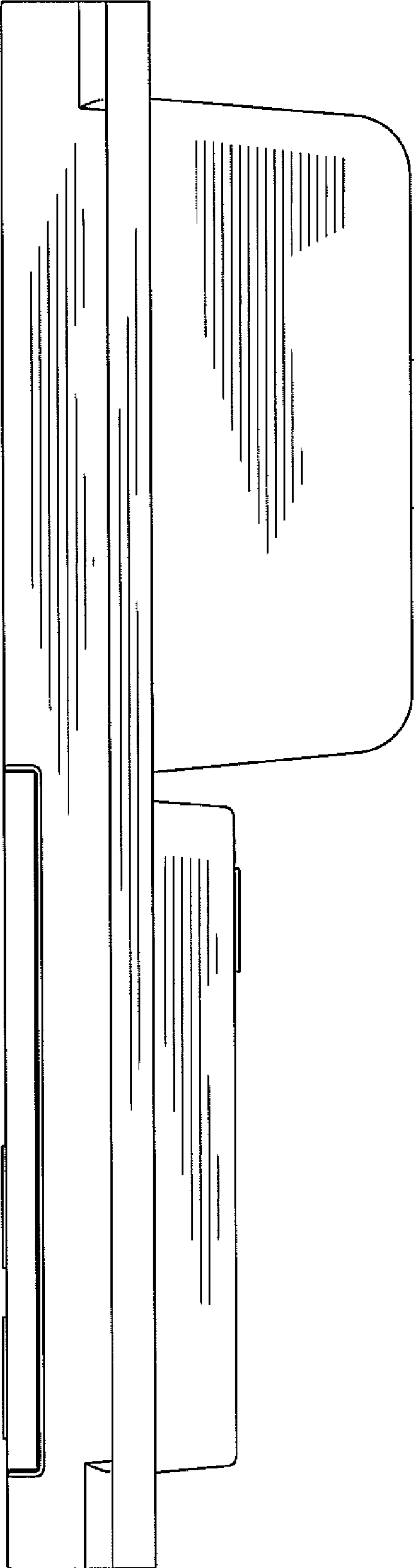
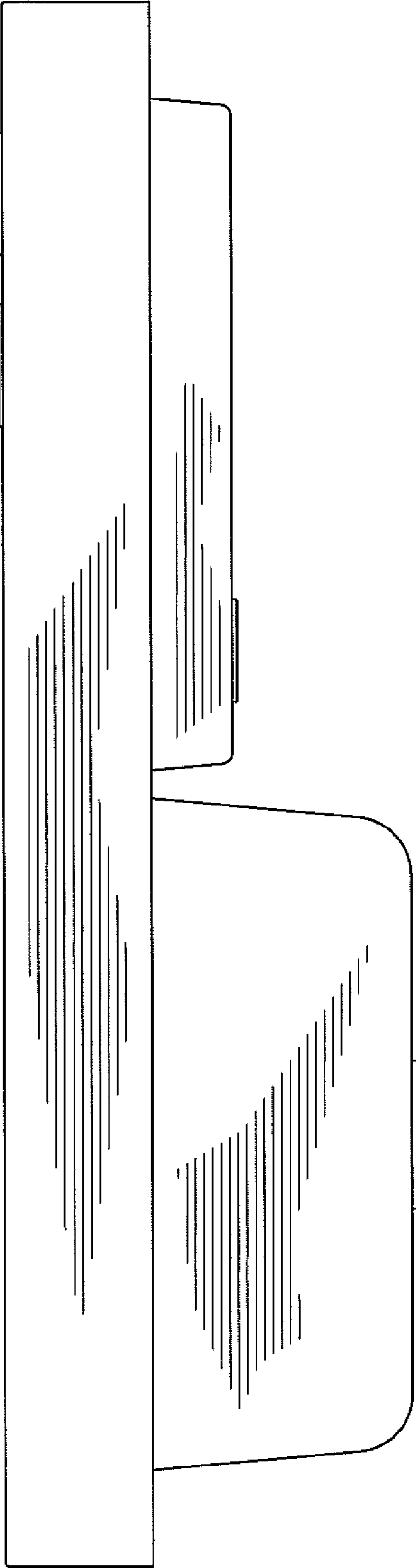


FIG. 5



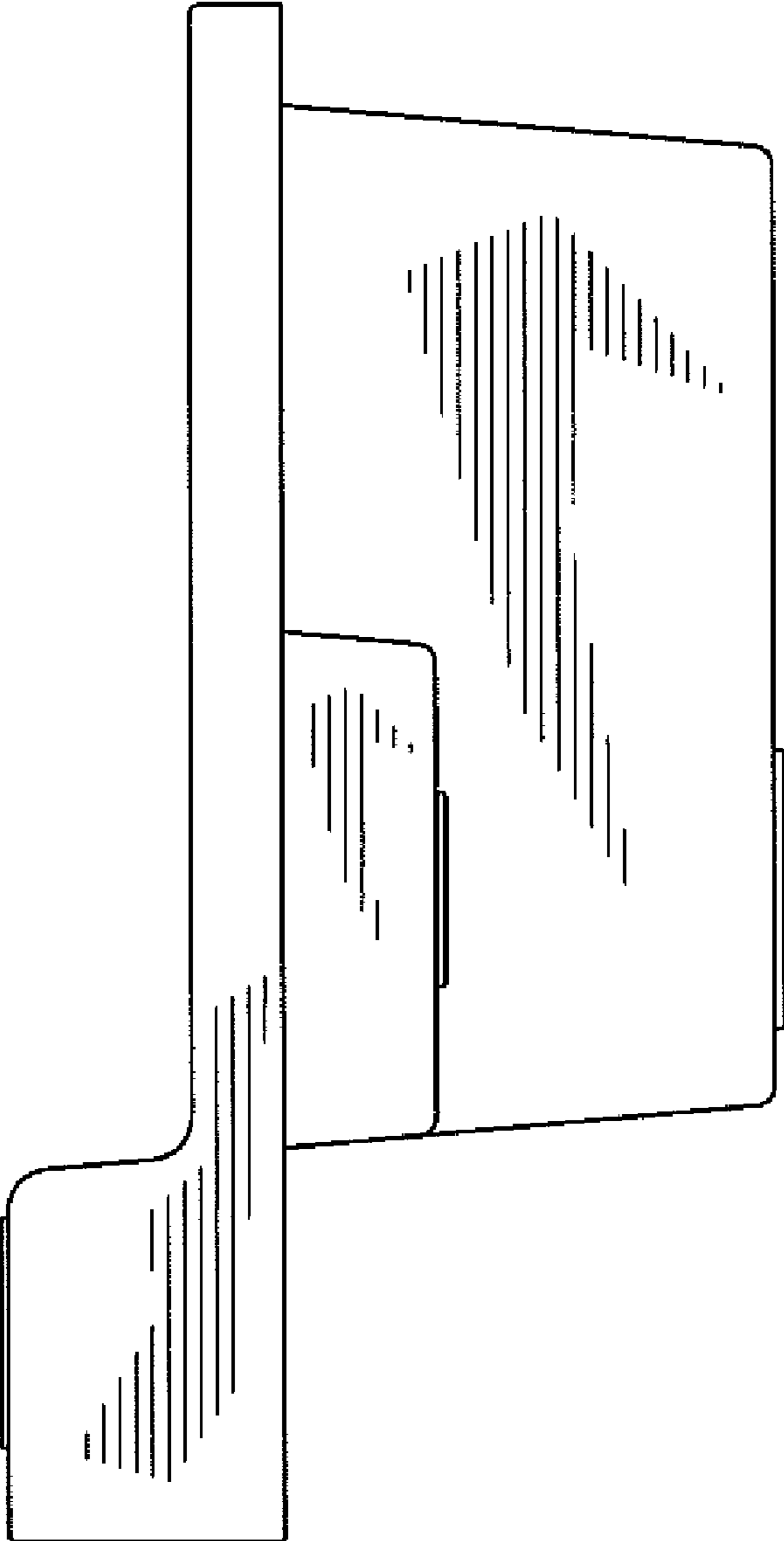


FIG. 6

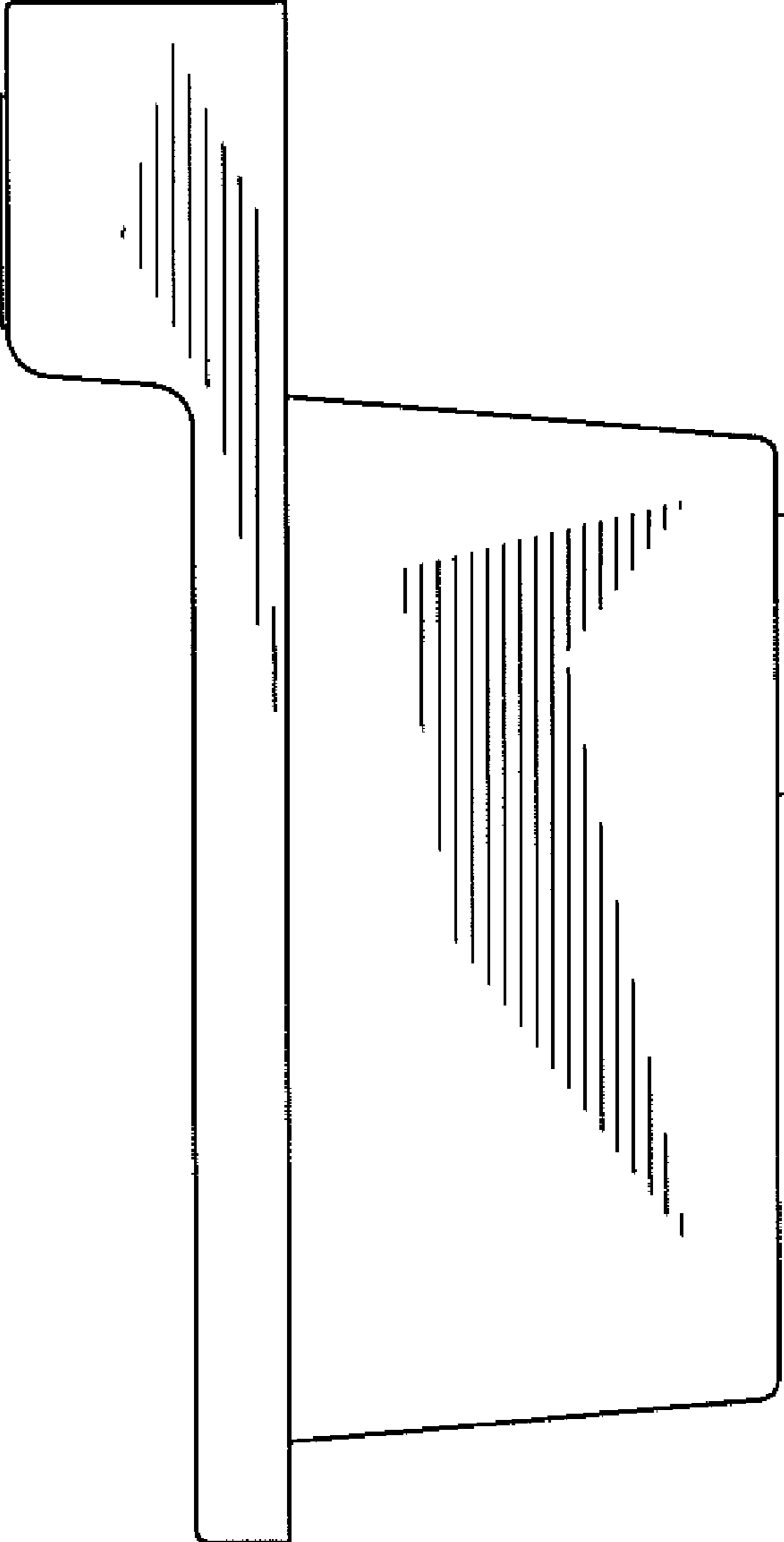


FIG. 7