



US00D585122S

(12) **United States Design Patent**  
**Ziemann**

(10) **Patent No.:** **US D585,122 S**

(45) **Date of Patent:** **\*\* Jan. 20, 2009**

(54) **SINK**

D426,624 S \* 6/2000 Kohler et al. .... D23/290  
D468,004 S \* 12/2002 Porsche et al. .... D23/290

(75) Inventor: **Brigitte Ziemann**, Eppingen (DE)

\* cited by examiner

(73) Assignee: **BLANCO GmbH + Co KG**,  
Oberderdingen (DE)

*Primary Examiner*—Robert A Delehanty  
(74) *Attorney, Agent, or Firm*—Hanley, Flight, &  
Zimmerman, LLC

(\*\*) Term: **14 Years**

(21) Appl. No.: **29/284,767**

(57) **CLAIM**

(22) Filed: **Sep. 14, 2007**

The ornamental design for a “sink,” as shown and described.

(51) **LOC (9) Cl.** ..... **23-02**

**DESCRIPTION**

(52) **U.S. Cl.** ..... **D23/290; D23/287**

FIG. 1 is a perspective view of the sink;

(58) **Field of Classification Search** ..... D23/284,

FIG. 2 is a top plan view of the sink;

D23/287, 291–293.1, 303, 308, 290; 4/630,

FIG. 3 is a bottom view of the sink;

4/631, 637, 638, 661, 639–642

FIG. 4 is a front view of the sink;

See application file for complete search history.

FIG. 5 is a rear view of the sink;

(56) **References Cited**

FIG. 6 is a left side view of the sink; and,

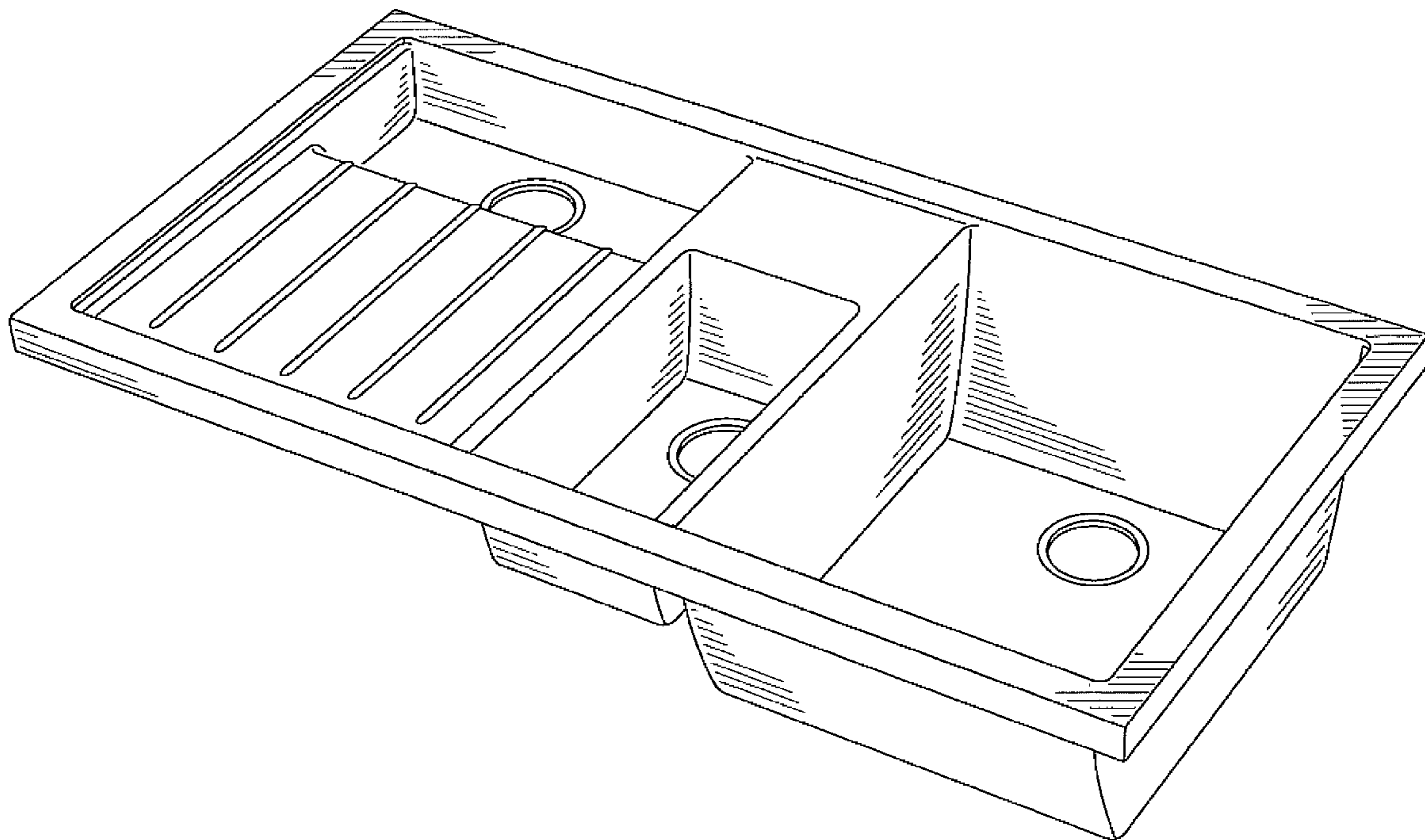
**U.S. PATENT DOCUMENTS**

FIG. 7 is a right side view of the sink.

D253,787 S \* 12/1979 Kinsey ..... D23/287

D356,859 S \* 3/1995 Formgren ..... D23/287

**1 Claim, 7 Drawing Sheets**



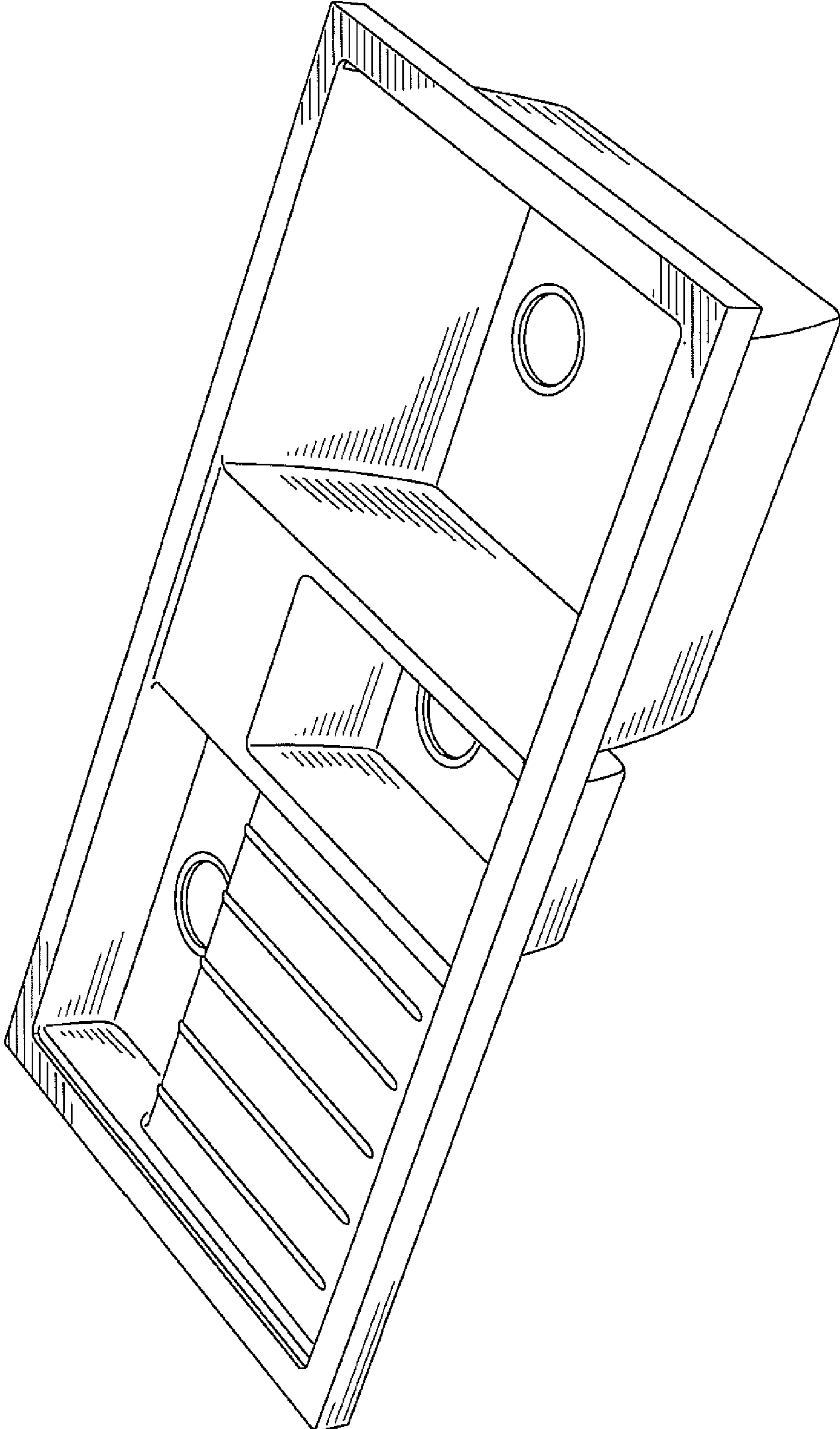


FIG. 1

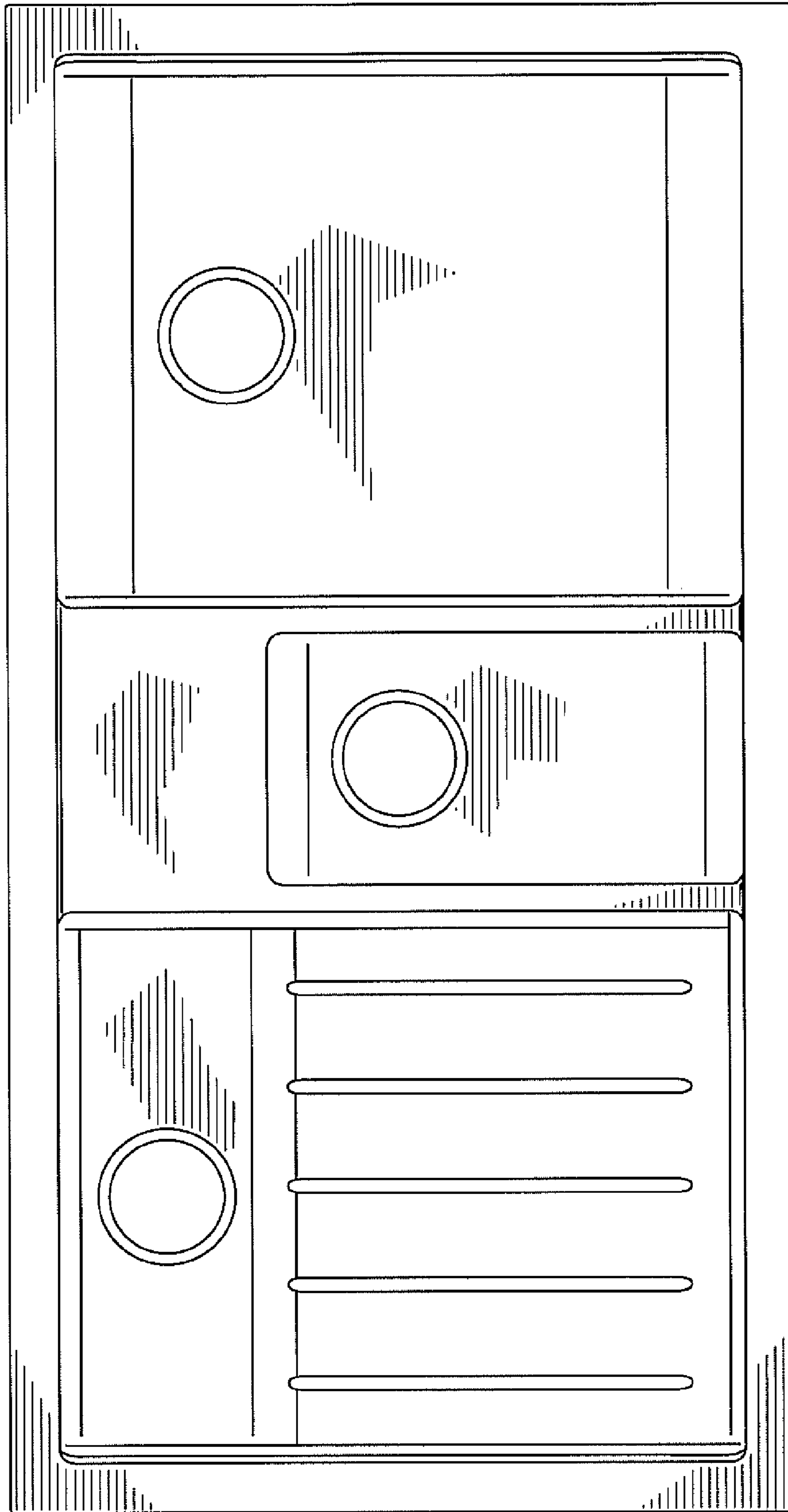


FIG. 2

FIG. 3

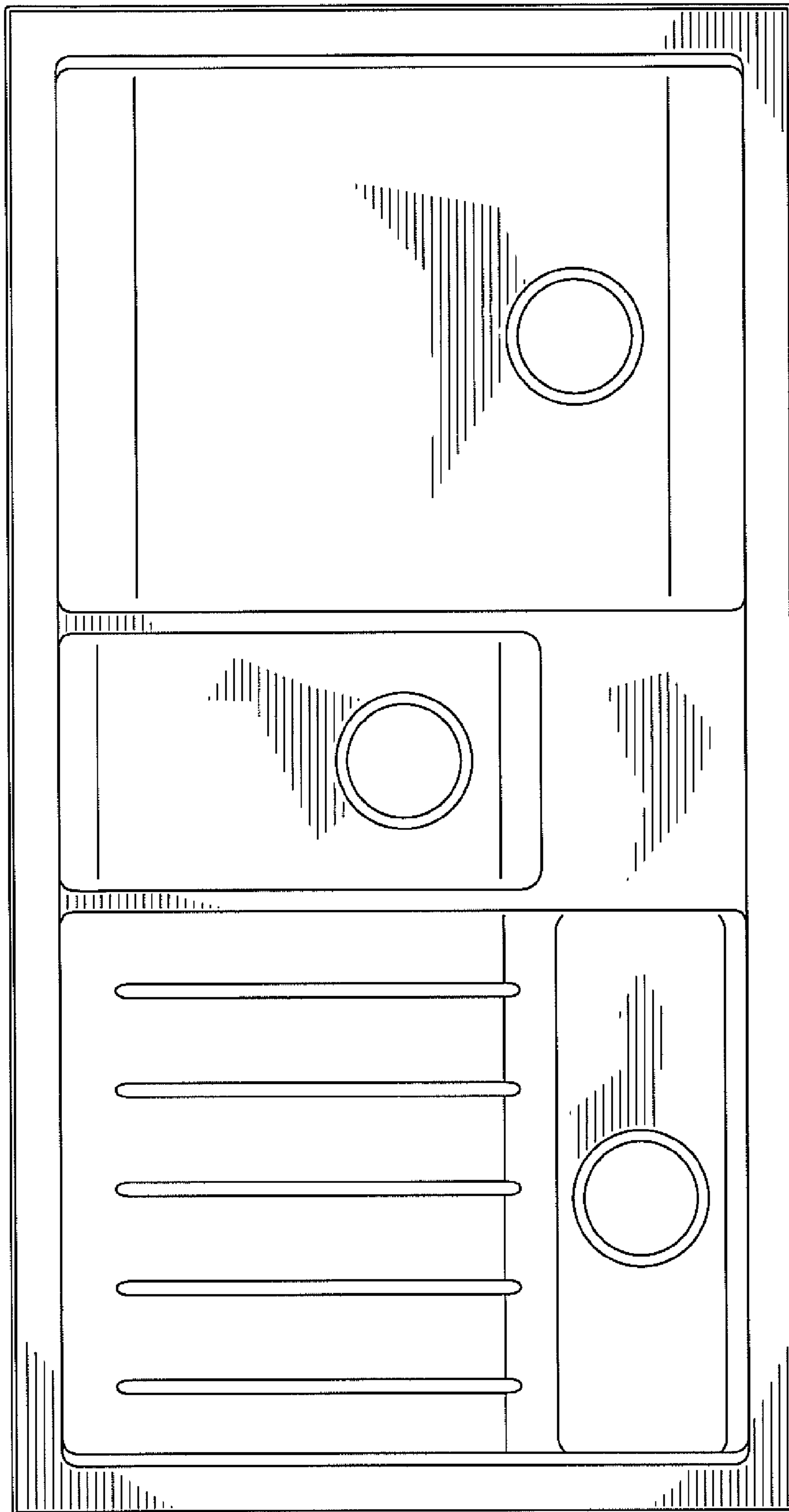


FIG. 4

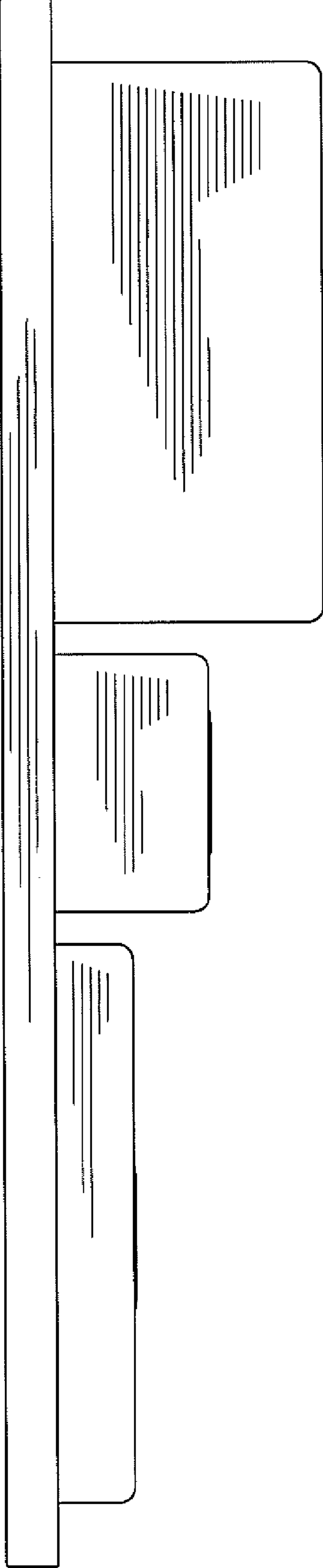
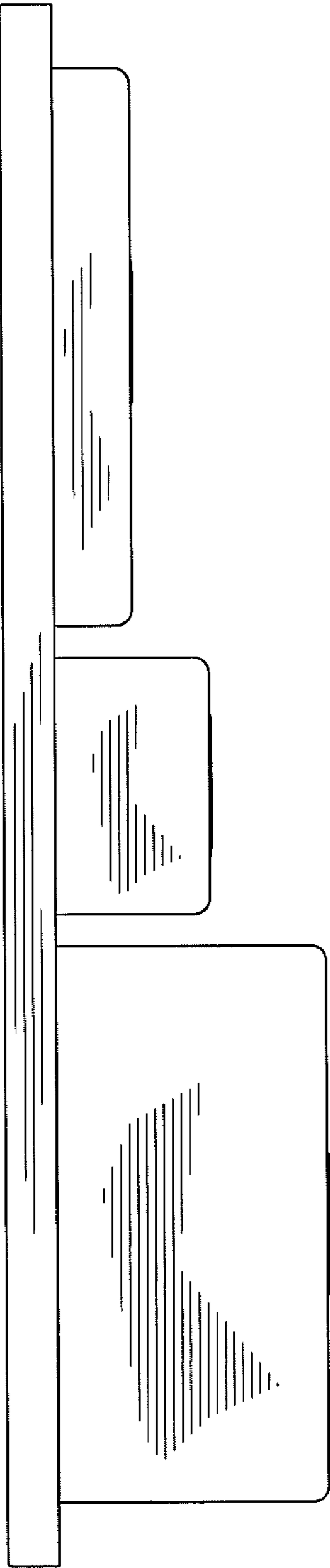


FIG. 5



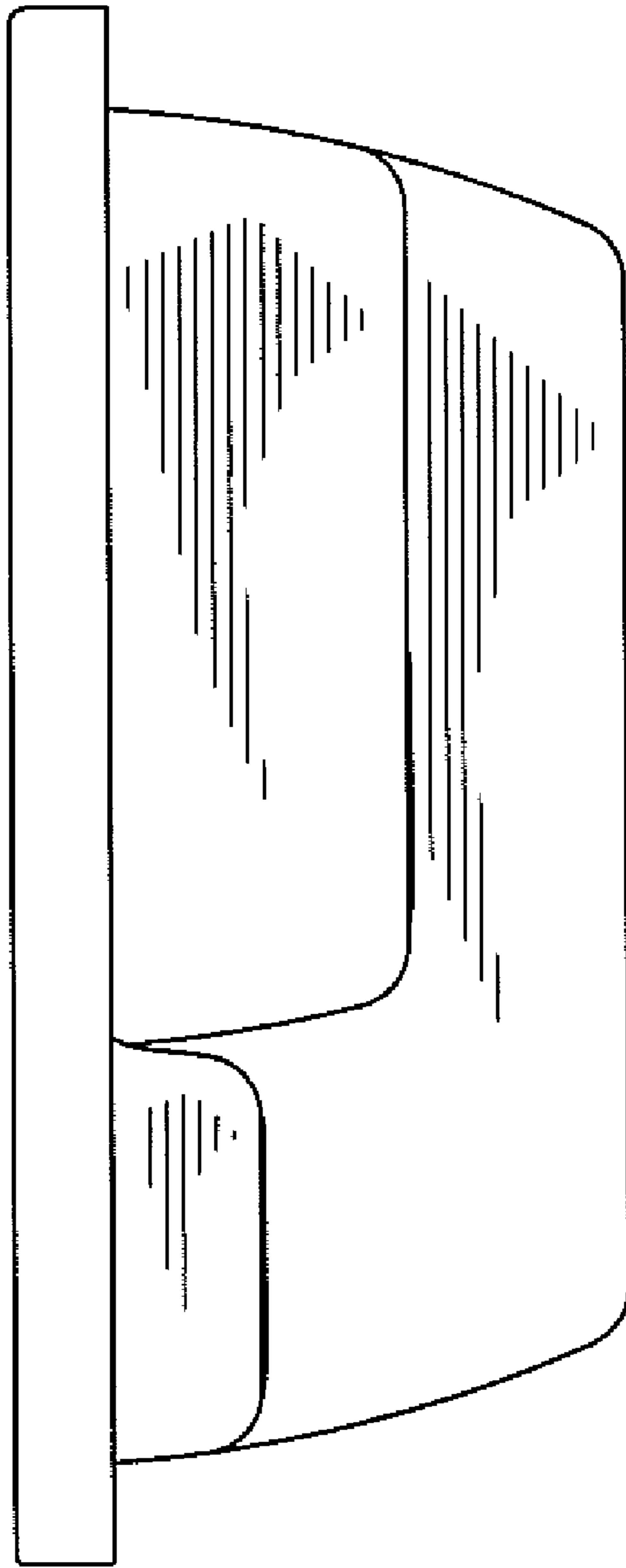


FIG. 6

FIG. 7

