



US00D585121S

(12) **United States Design Patent**  
**Ziemann et al.**

(10) **Patent No.:** **US D585,121 S**  
(45) **Date of Patent:** **\*\* Jan. 20, 2009**

- (54) **SINK**
- (75) Inventors: **Brigitte Ziemann**, Eppingen (DE);  
**Reinhard Koska**, Karlsruhe (DE)
- (73) Assignee: **BLANCO GmbH + Co KG**,  
Oberderdingen (DE)
- (\*\*) Term: **14 Years**
- (21) Appl. No.: **29/283,650**
- (22) Filed: **Aug. 20, 2007**
- (51) **LOC (9) Cl.** ..... **23-02**
- (52) **U.S. Cl.** ..... **D23/290**
- (58) **Field of Classification Search** ..... D23/284,  
D23/287, 291-293.1, 303, 308, 290; 4/630,  
4/631, 637, 638, 661, 639-642  
See application file for complete search history.

- D546,928 S \* 7/2007 Ziemann ..... D23/290
- D547,836 S \* 7/2007 Ziemann ..... D23/290
- D558,312 S \* 12/2007 Webb ..... D23/290

\* cited by examiner

*Primary Examiner*—Robert A Delehanty  
(74) *Attorney, Agent, or Firm*—Hanley, Flight and  
Zimmerman, LLC.

(57) **CLAIM**

The ornamental design for a “sink,” as shown and described.

**DESCRIPTION**

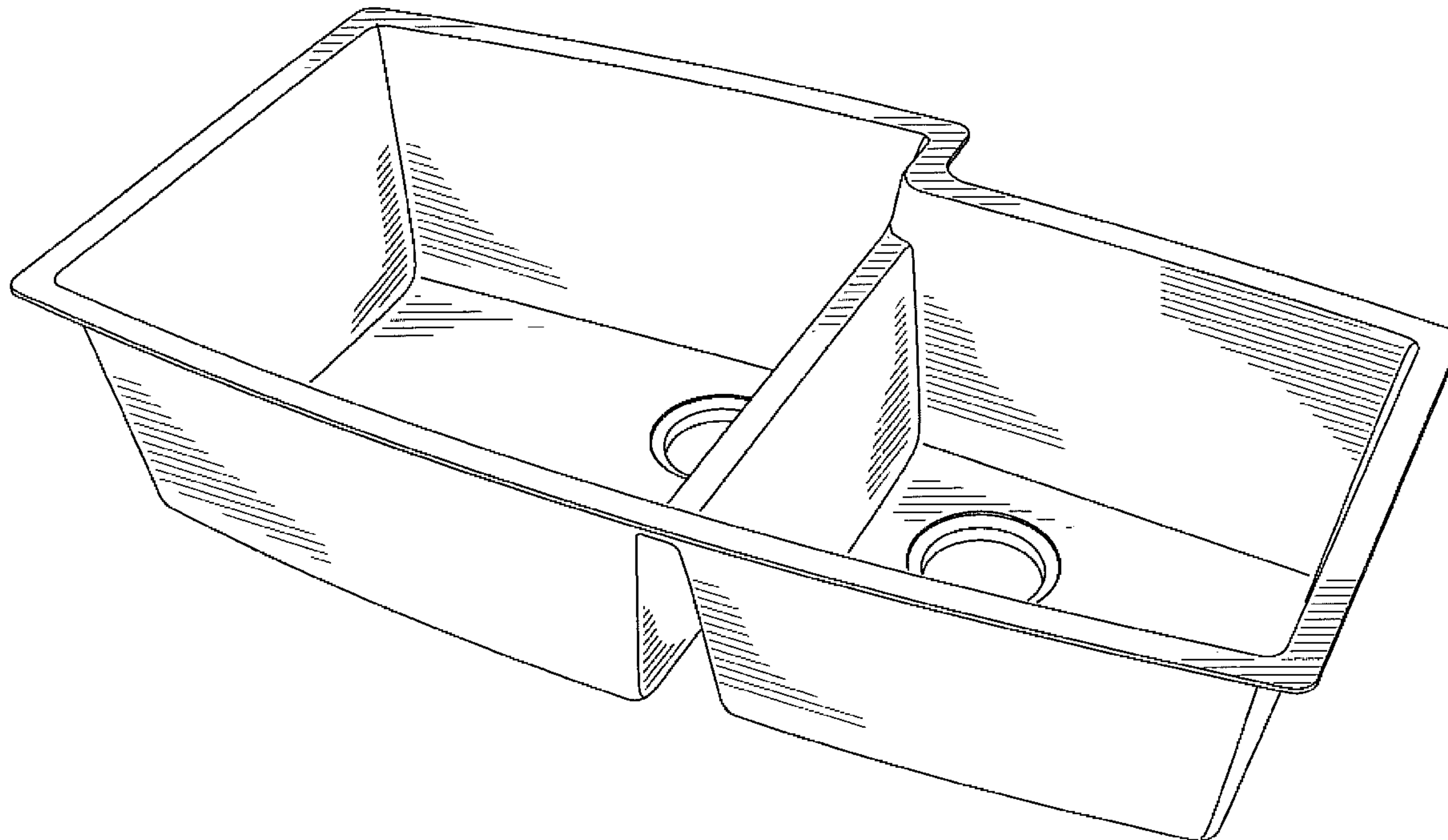
- FIG. 1 is a perspective view of the sink;
- FIG. 2 is a top plan view of the sink;
- FIG. 3 is a bottom view of the sink;
- FIG. 4 is a front view of the sink;
- FIG. 5 is a rear view of the sink;
- FIG. 6 is a right side view of the sink; and,
- FIG. 7 is a left side view of the sink.

(56) **References Cited**

**U.S. PATENT DOCUMENTS**

- D504,716 S \* 5/2005 Bayer et al. .... D23/290

**1 Claim, 7 Drawing Sheets**



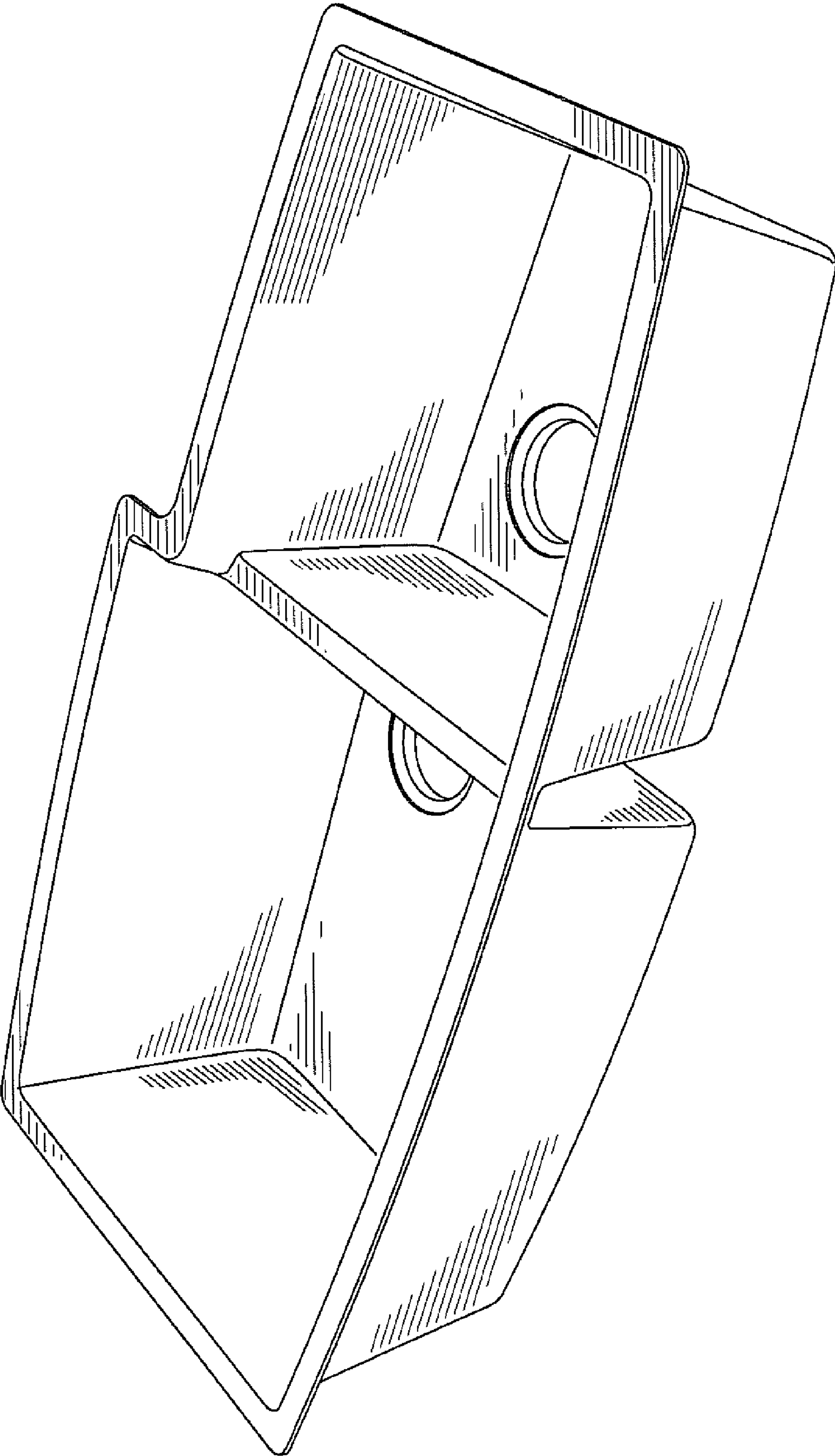


FIG. 1

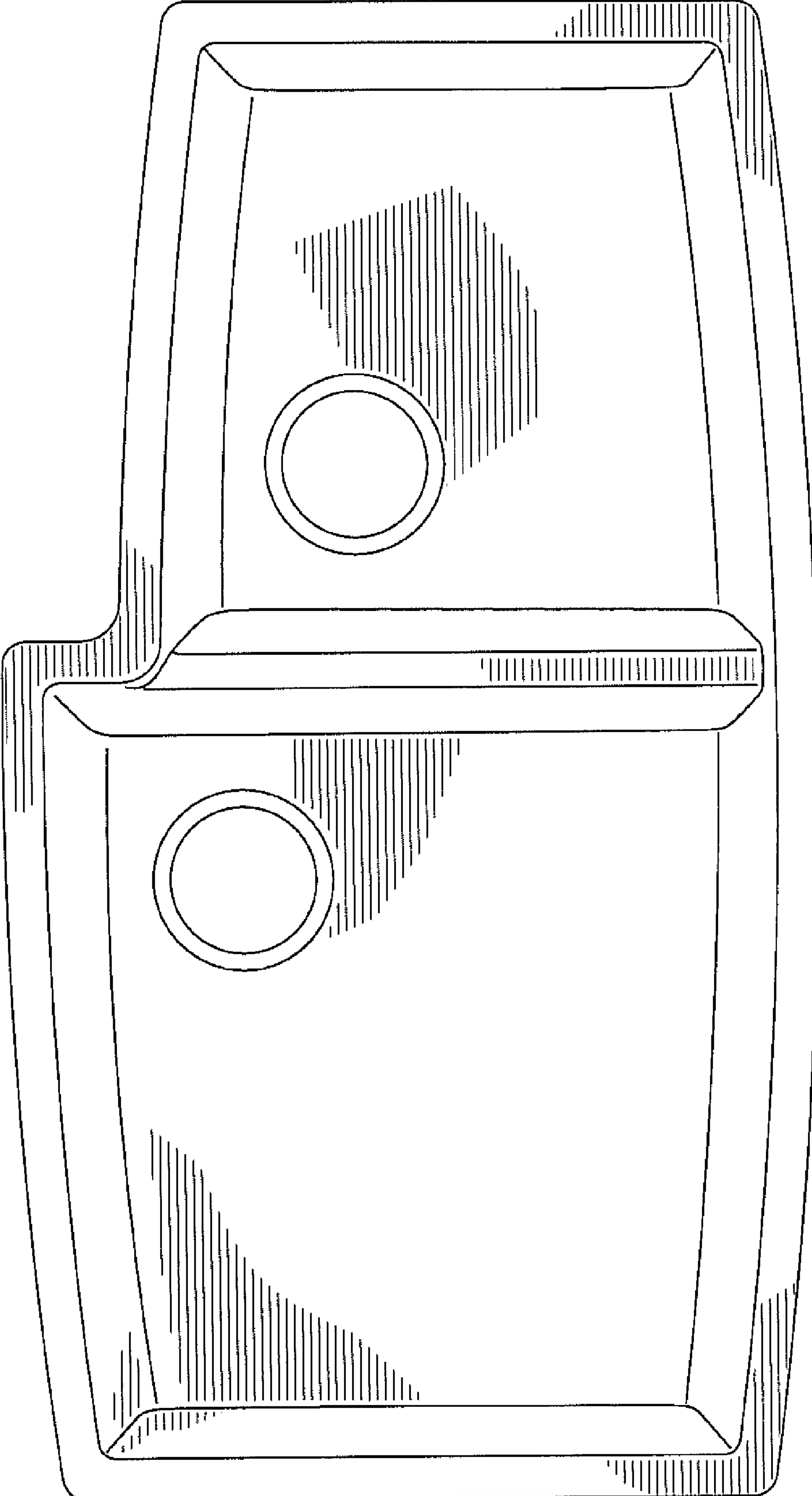


FIG. 2

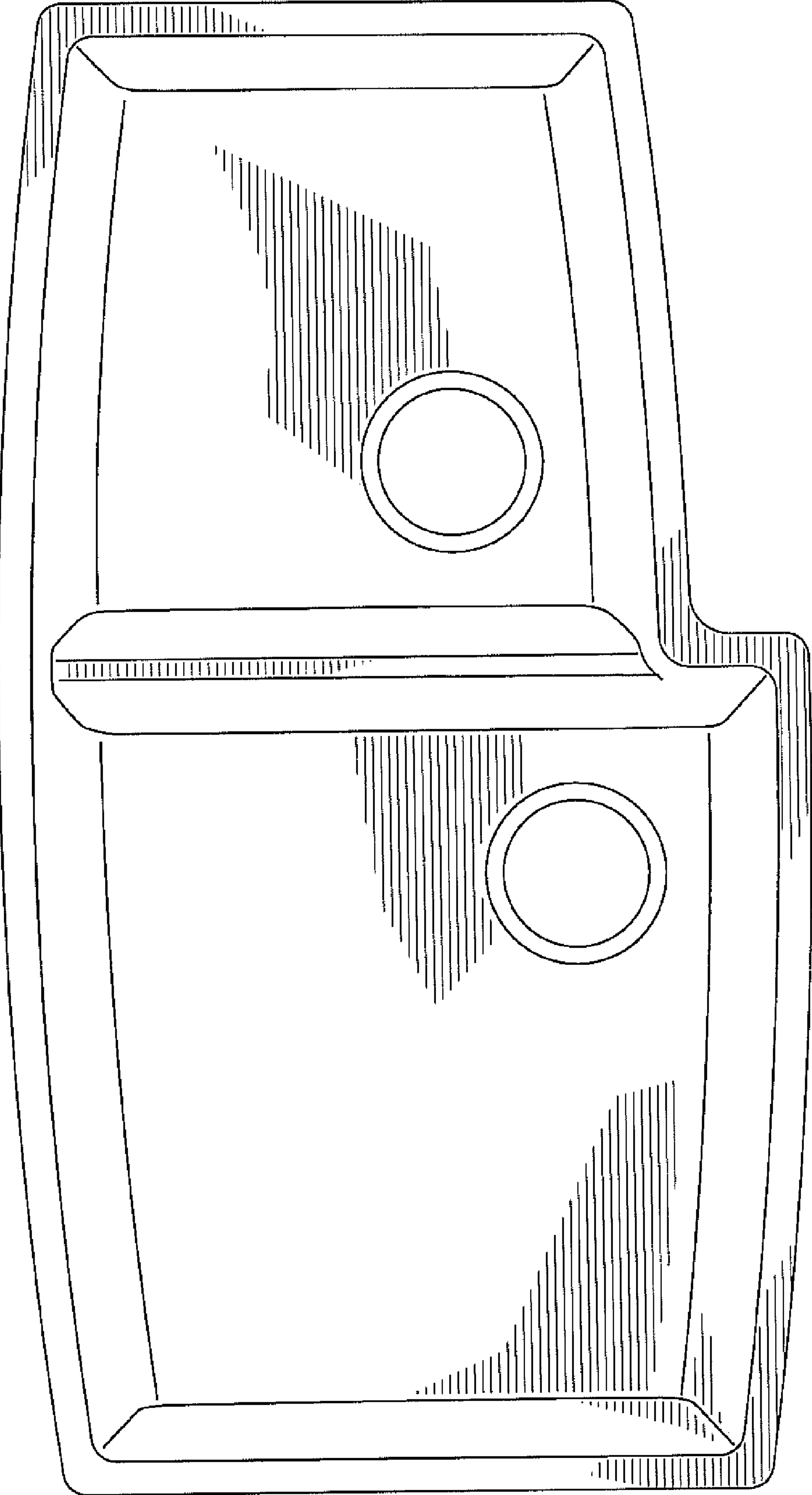


FIG. 3

FIG. 4

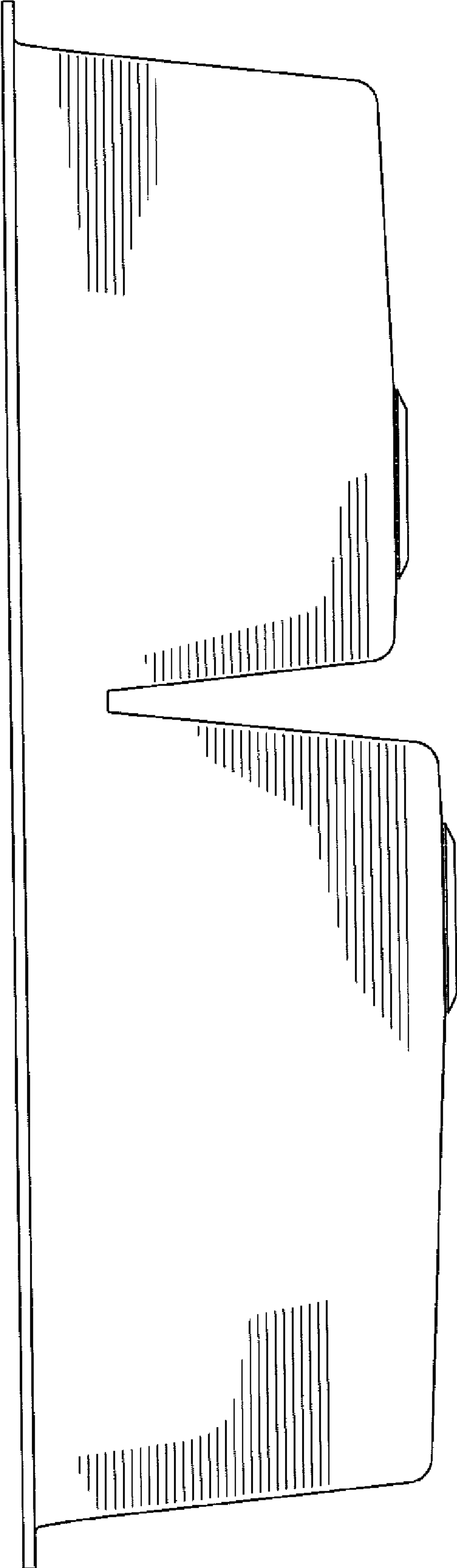
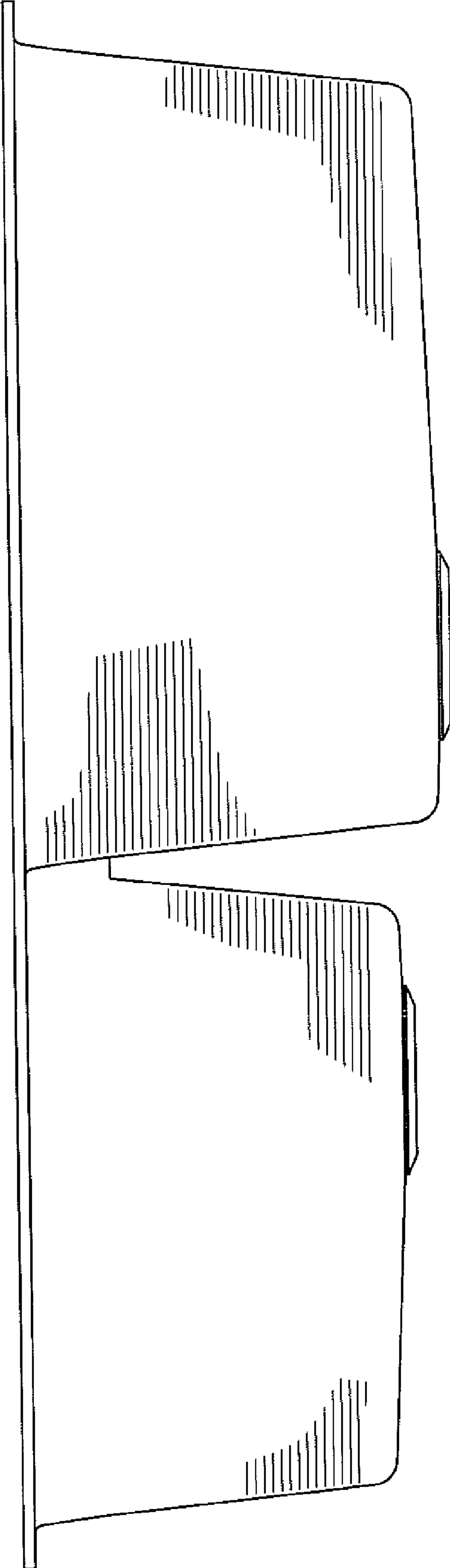


FIG. 5



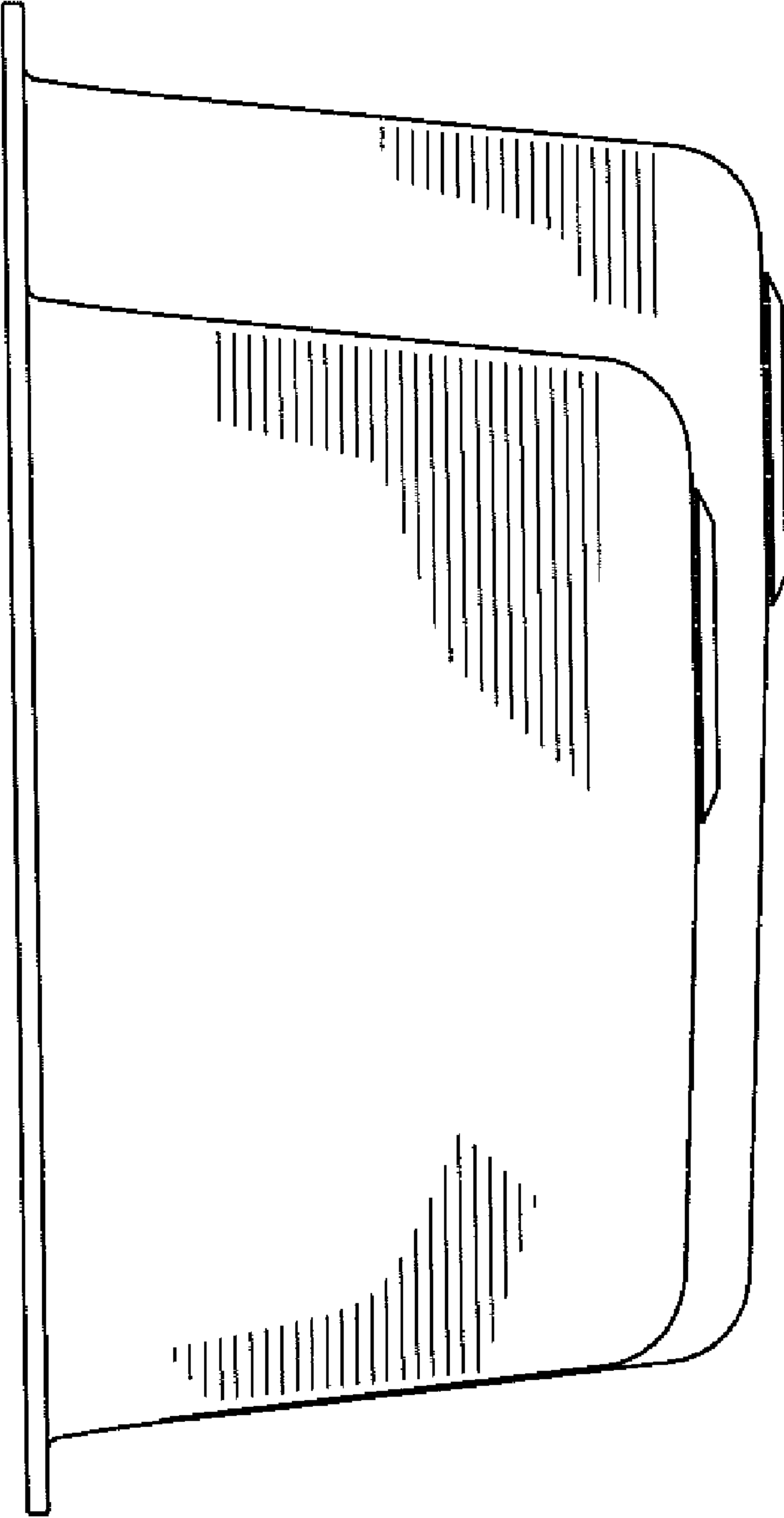


FIG. 6

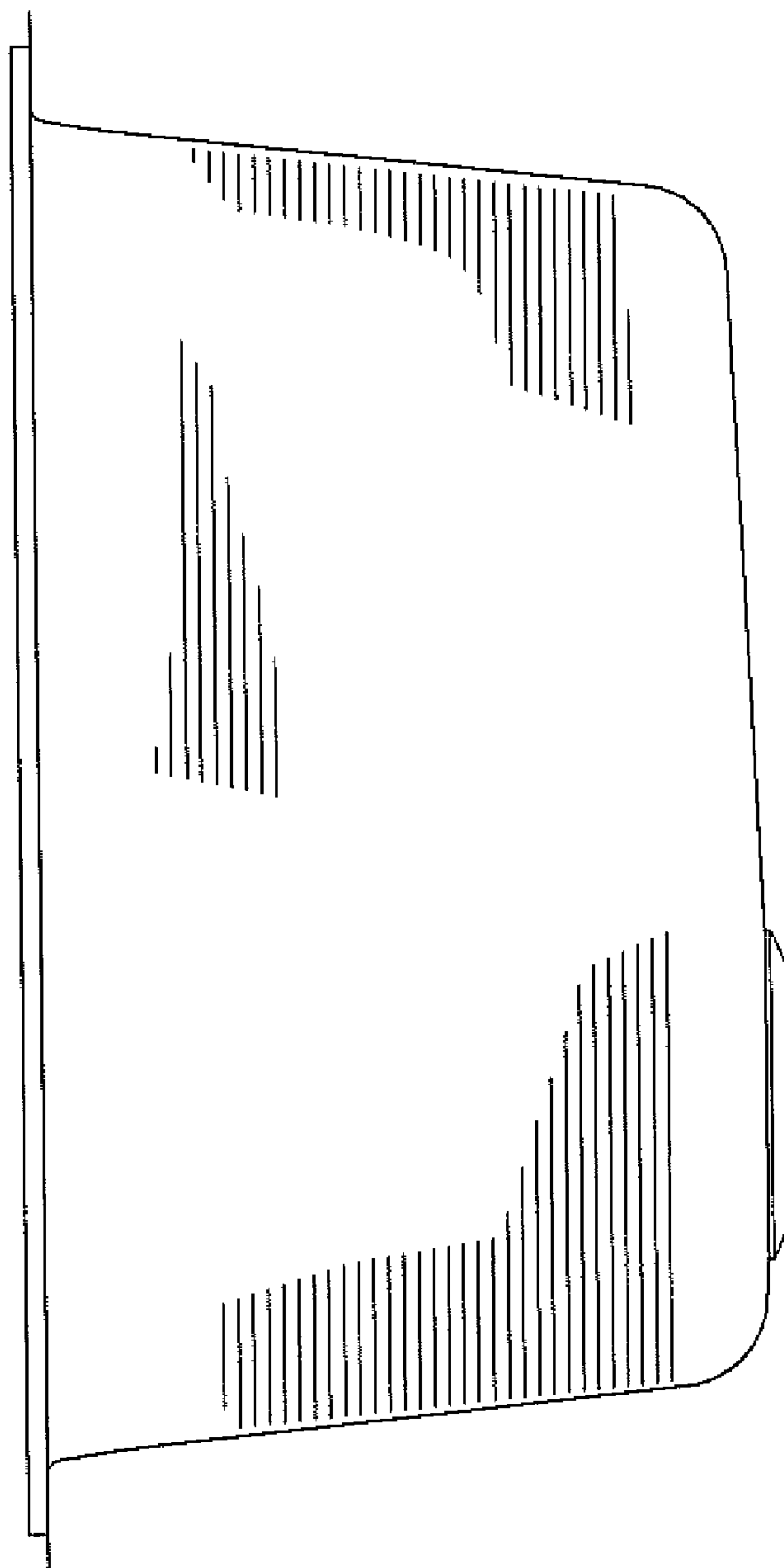


FIG. 7