



US00D585118S

(12) **United States Design Patent**  
**Ziemann et al.**

(10) **Patent No.:** **US D585,118 S**  
(45) **Date of Patent:** **\*\* Jan. 20, 2009**

- (54) **SINK**
  - (75) Inventors: **Brigitte Ziemann**, Eppingen (DE);  
**Oliver Kuch**, Wilhelmshöhe (DE)
  - (73) Assignee: **BLANCO GmbH + Co KG**,  
Oberderdingen (DE)
  - (\*\*) Term: **14 Years**
  - (21) Appl. No.: **29/284,775**
  - (22) Filed: **Sep. 14, 2007**
  - (51) **LOC (9) Cl.** ..... **23-02**
  - (52) **U.S. Cl.** ..... **D23/286**
  - (58) **Field of Classification Search** ..... D23/284,  
D23/287, 291-293.1, 303, 308, 286, 272-273,  
D23/290; 4/630, 631, 637, 638, 661, 663-664;  
D6/397, 402
- See application file for complete search history.

- D255,924 S \* 7/1980 Rosenkranz ..... D23/286
- D412,741 S \* 8/1999 Pepin ..... D23/286
- D446,575 S \* 8/2001 Ferrer Beltran ..... D23/293.1
- D463,538 S \* 9/2002 Chipperfield ..... D23/284
- D499,800 S \* 12/2004 Trepanier ..... D23/286
- D507,043 S \* 7/2005 Ferrer Beltran ..... D23/293.1
- D544,075 S \* 6/2007 Mayer ..... D23/286

\* cited by examiner

*Primary Examiner*—Robert A Delehanty

(74) *Attorney, Agent, or Firm*—Hanley, Flight & Zimmerman, LLC

(57) **CLAIM**

The ornamental design for a “sink,” as shown and described.

**DESCRIPTION**

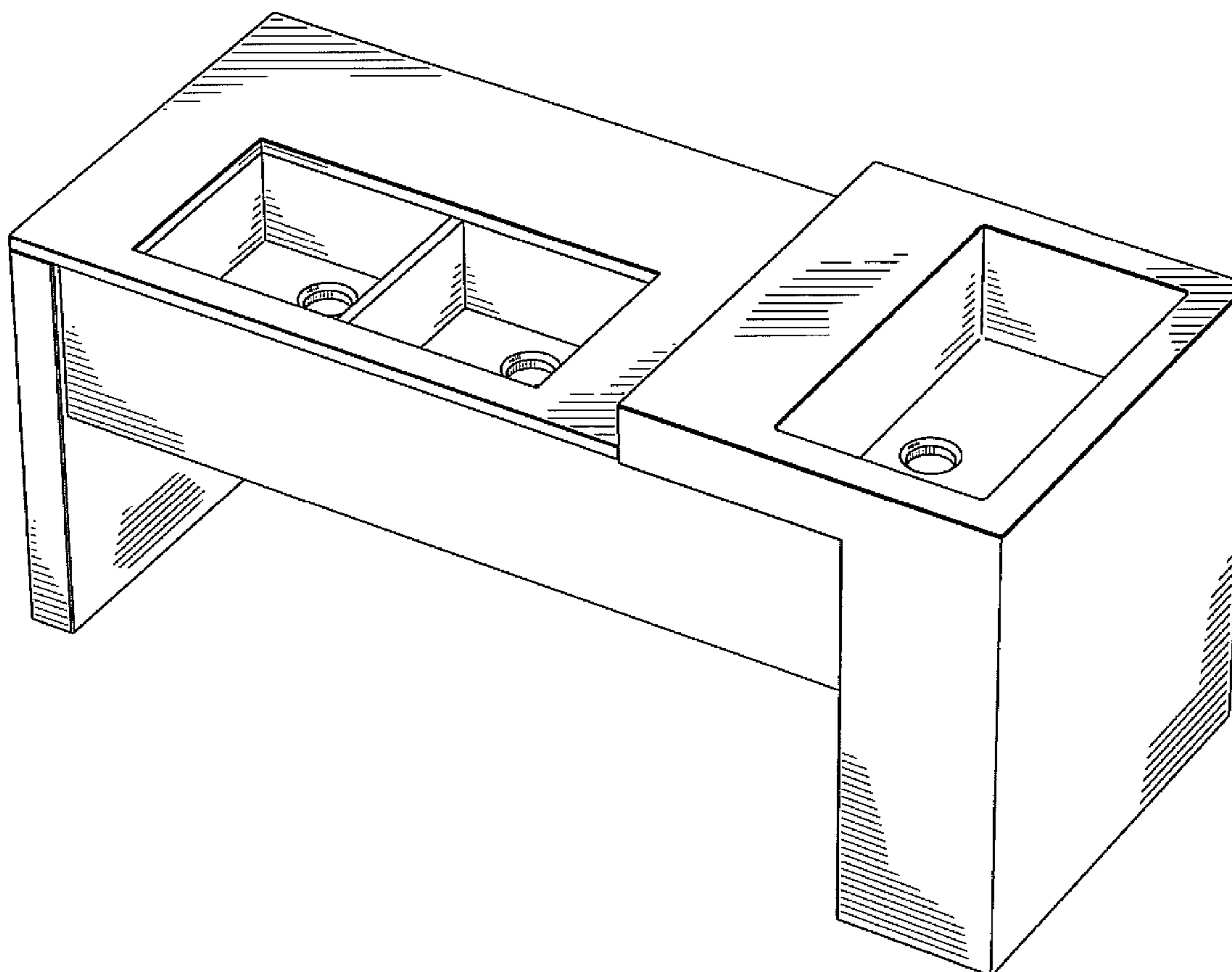
- FIG. 1 is a perspective view of the sink;
- FIG. 2 is a top plan view of the sink;
- FIG. 3 is a bottom view of the sink;
- FIG. 4 is a front view of the sink;
- FIG. 5 is a rear view of the sink;
- FIG. 6 is a right side view of the sink; and,
- FIG. 7 is a left side view of the sink.

**1 Claim, 7 Drawing Sheets**

(56) **References Cited**

**U.S. PATENT DOCUMENTS**

- 1,763,209 A \* 6/1930 Ayers et al. .... 4/663
- D149,527 S \* 5/1948 Thomas ..... D6/397
- D174,403 S \* 4/1955 Watkins et al. .... D23/286
- D247,909 S \* 5/1978 Noble et al. .... D23/290



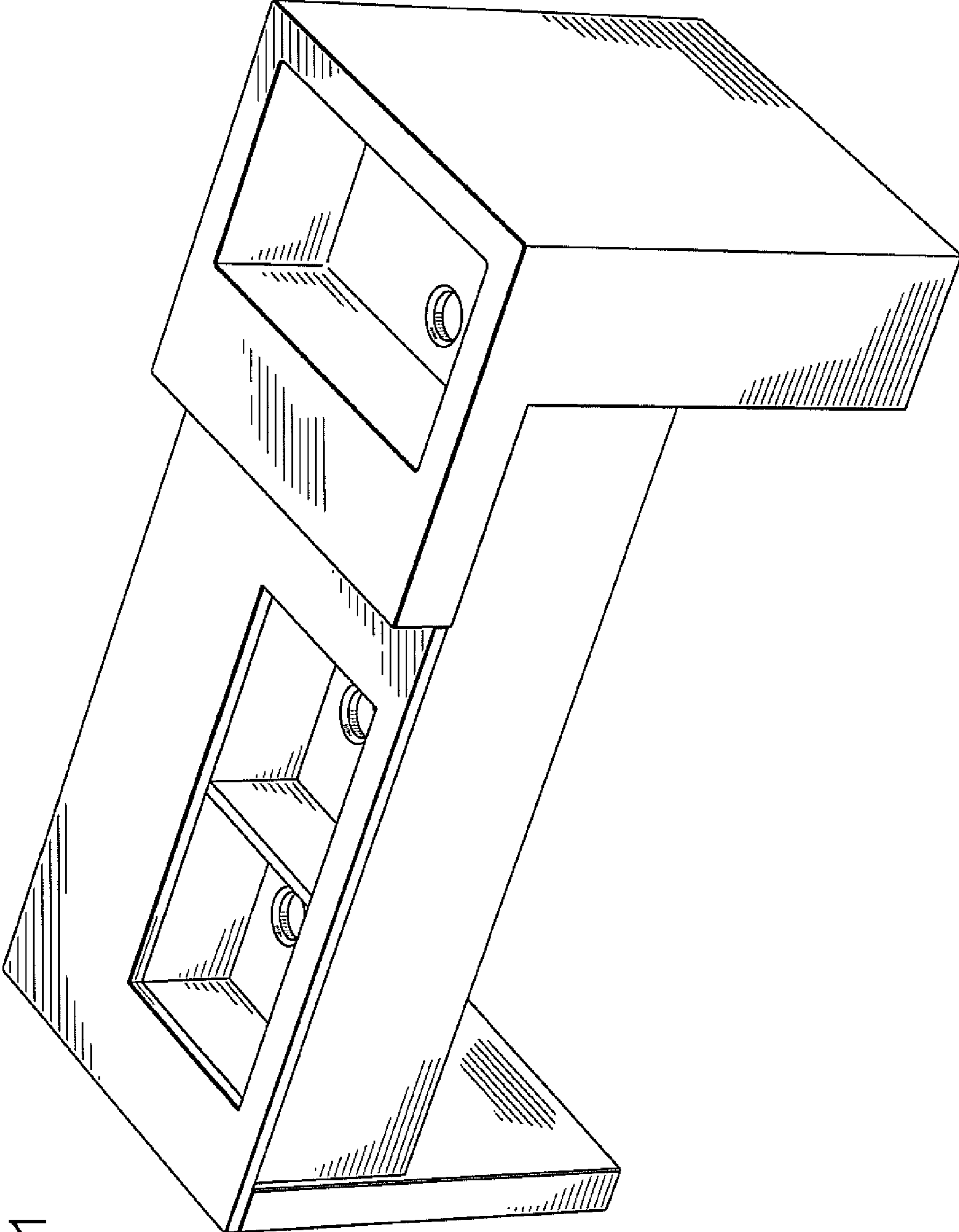


FIG. 1

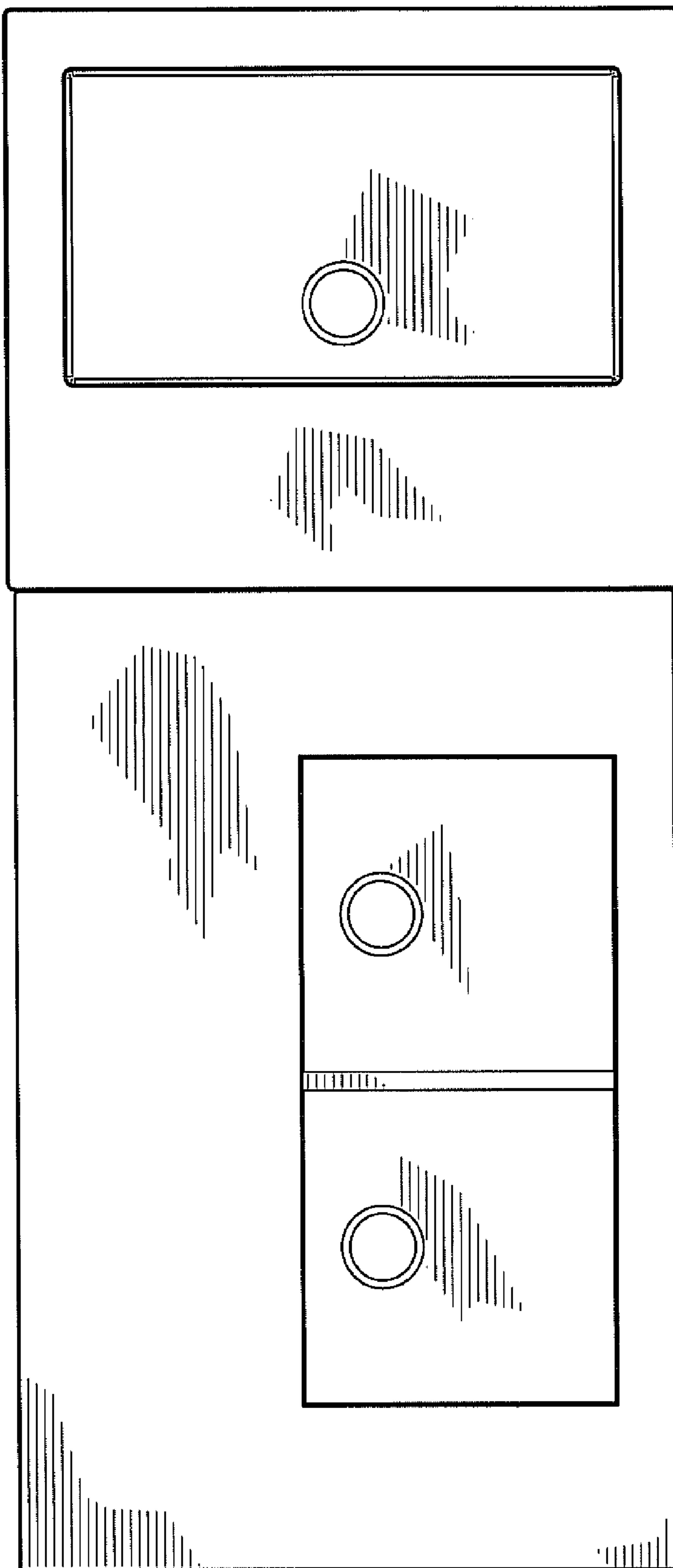


FIG. 2

FIG. 3

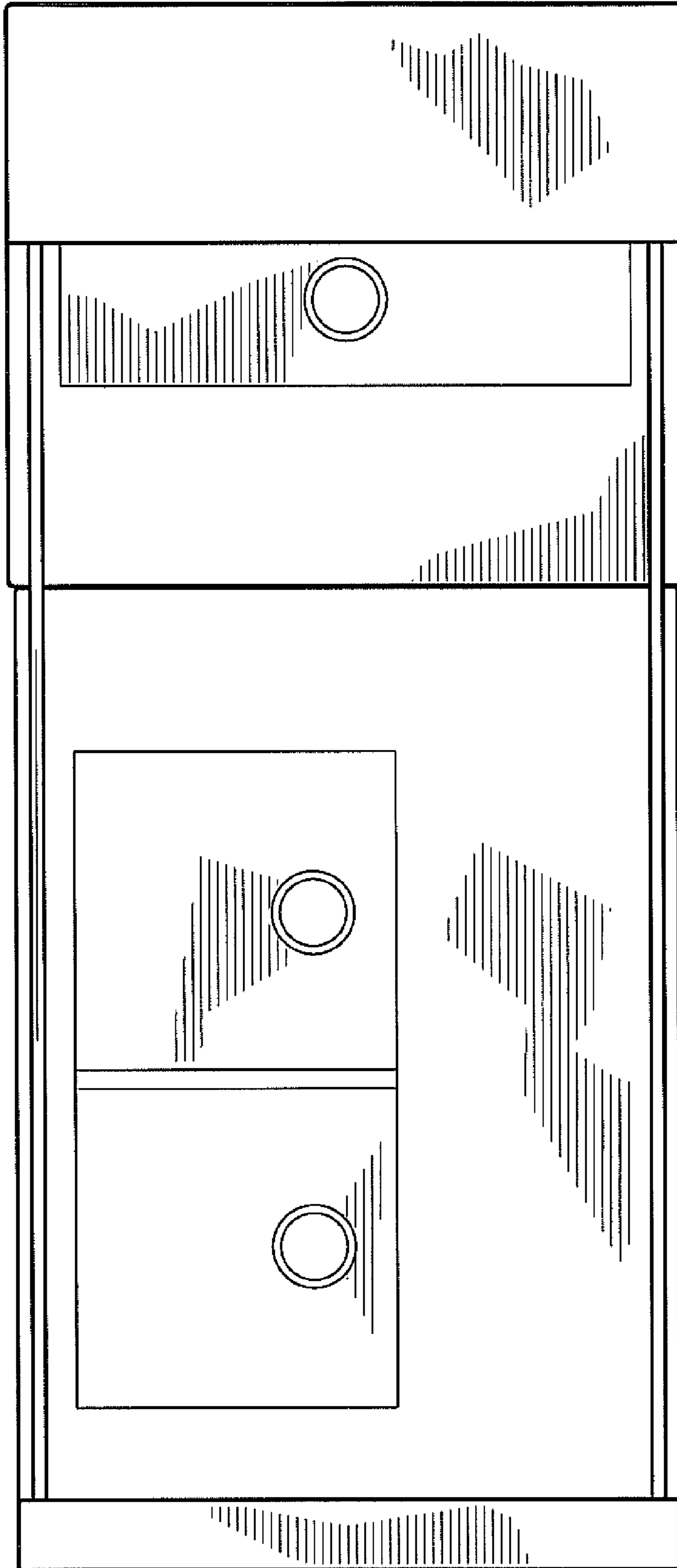


FIG. 4

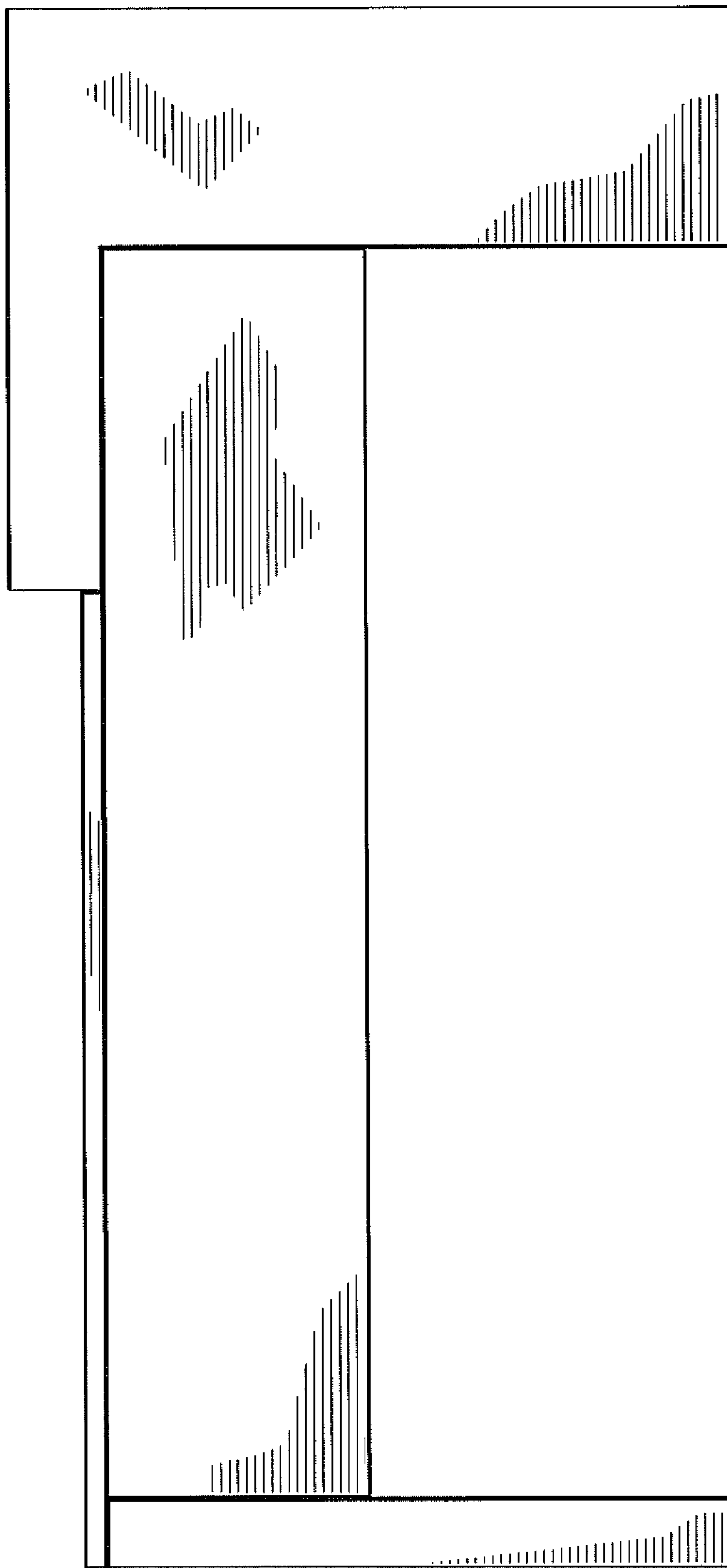
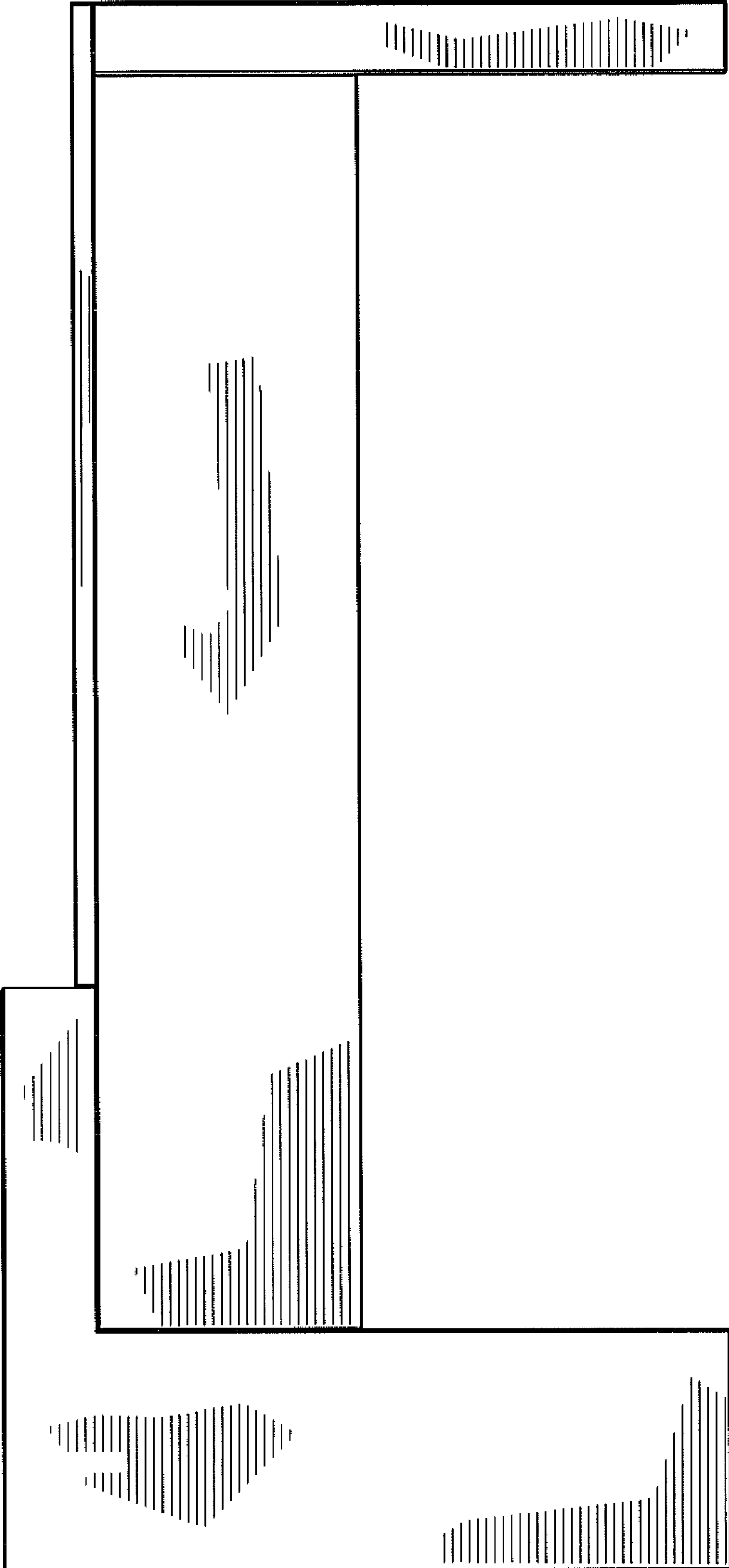


FIG. 5



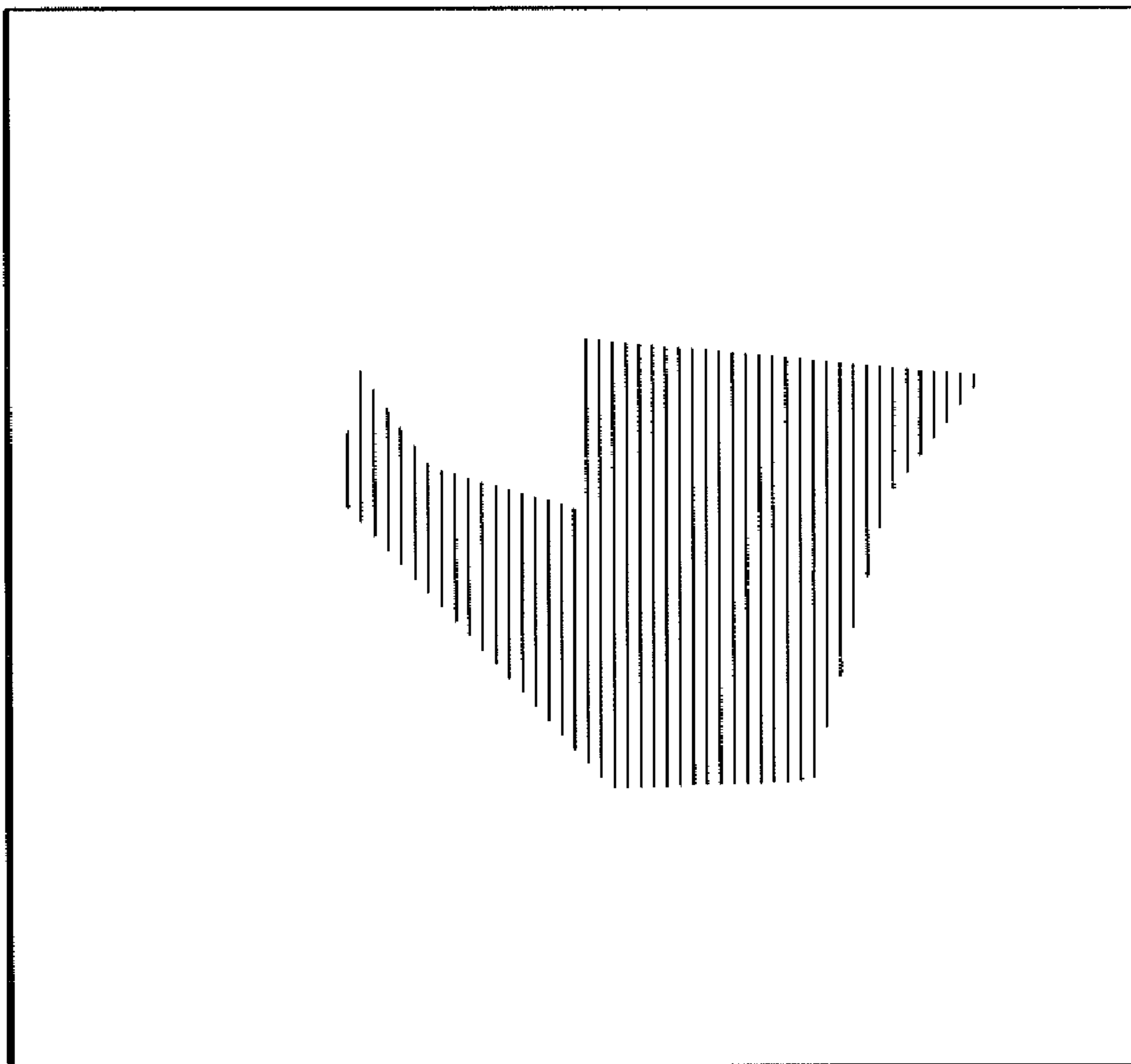


FIG. 6

FIG. 7

