



US00D585114S

(12) **United States Design Patent**  
**Tsai**

(10) **Patent No.:** **US D585,114 S**  
(45) **Date of Patent:** **\*\* Jan. 20, 2009**

(54) **FAUCET BODY**

(75) Inventor: **Hsin-I Canny Tsai**, Sheboygan, WI (US)

(73) Assignee: **Kohler Co.**, Kohler, WI (US)

(\*\*) Term: **14 Years**

(21) Appl. No.: **29/279,756**

(22) Filed: **May 7, 2007**

(51) **LOC (9) Cl.** ..... **23-01**

(52) **U.S. Cl.** ..... **D23/249**

(58) **Field of Classification Search** ..... D23/250,  
D23/251, 252, 253, 254, 255, 256, 257, 238,  
D23/239, 240, 241, 242, 243, 244, 245, 246,  
D23/247, 248, 249; 16/110.1, 441; D8/300,  
D8/307, 308, 310, 311, 312, 321; 4/675-678;  
D6/550

See application file for complete search history.

(56) **References Cited**

**U.S. PATENT DOCUMENTS**

973,143	A *	10/1910	Snodgrass	.....	4/675
1,530,104	A *	3/1925	Brown	.....	137/606
D72,505	S *	4/1927	Eweyk	.....	D23/243
1,653,956	A *	12/1927	Glauber	.....	4/570
1,676,800	A *	7/1928	Richards et al.	.....	4/676
1,690,251	A *	11/1928	Schlesinger et al.	....	137/599.01
D225,402	S *	12/1972	Koblick	.....	D23/213
6,198,055	B1 *	3/2001	Hughes	.....	200/14
6,341,617	B1	1/2002	Wilson		
D497,197	S *	10/2004	Warshawsky	.....	D23/243
D510,413	S *	10/2005	Ouyoung	.....	D23/249
D512,485	S *	12/2005	Kulig	.....	D23/241
D512,765	S *	12/2005	Kulig	.....	D23/242
D516,681	S *	3/2006	Gilbert	.....	D23/249
D522,095	S *	5/2006	Chung	.....	D23/249
D524,916	S *	7/2006	Schaffeld et al.	.....	D23/249
7,090,154	B2 *	8/2006	Herring	.....	239/569
D540,918	S *	4/2007	Haug et al.	.....	D23/241
D567,910	S *	4/2008	Shieh	.....	D23/241
D569,482	S *	5/2008	Hanna	.....	D23/238
2002/0185182	A1 *	12/2002	Wang	.....	137/801

**OTHER PUBLICATIONS**

Rohl. "Rohl736". Bridge faucet with sidespray. DesignerPlumbing.com online catalog.

Taps & More. Steam Valve Original—Deck Mounted Bridge Mixer with Pull Off Spray Spout—Solid Stainless Steel. HomePortfolio.com online catalog. Copyright 1997-2007 HomePortfolio Inc.

\* cited by examiner

*Primary Examiner*—Cathron C Brooks

*Assistant Examiner*—Michael A Pratt

(74) *Attorney, Agent, or Firm*—Quarles & Brady LLP

(57) **CLAIM**

The ornamental design for a faucet body, as shown and described.

**DESCRIPTION**

In a preferred embodiment, the nature of this product is as a plumbing fitting in the form of body for a faucet used to wash various items and/or body parts.

FIG. 1 is a left, top, front perspective view of a faucet body showing my new design;

FIG. 2 is a front elevational view thereof;

FIG. 3 is a left side elevational view thereof, the right side elevational view thereof being a mirror image of the left side shown;

FIG. 4 is a rear elevational view thereof;

FIG. 5 is a top plan view thereof;

FIG. 6 is a bottom plan view thereof;

FIG. 7 is a left, top, front perspective view of a faucet body showing my design, but shown in an alternate position relative to the unclaimed environment;

FIG. 8 is a front elevational view thereof;

FIG. 9 is a left side elevational view thereof, the right side elevational view thereof; being a mirror image of the left side shown;

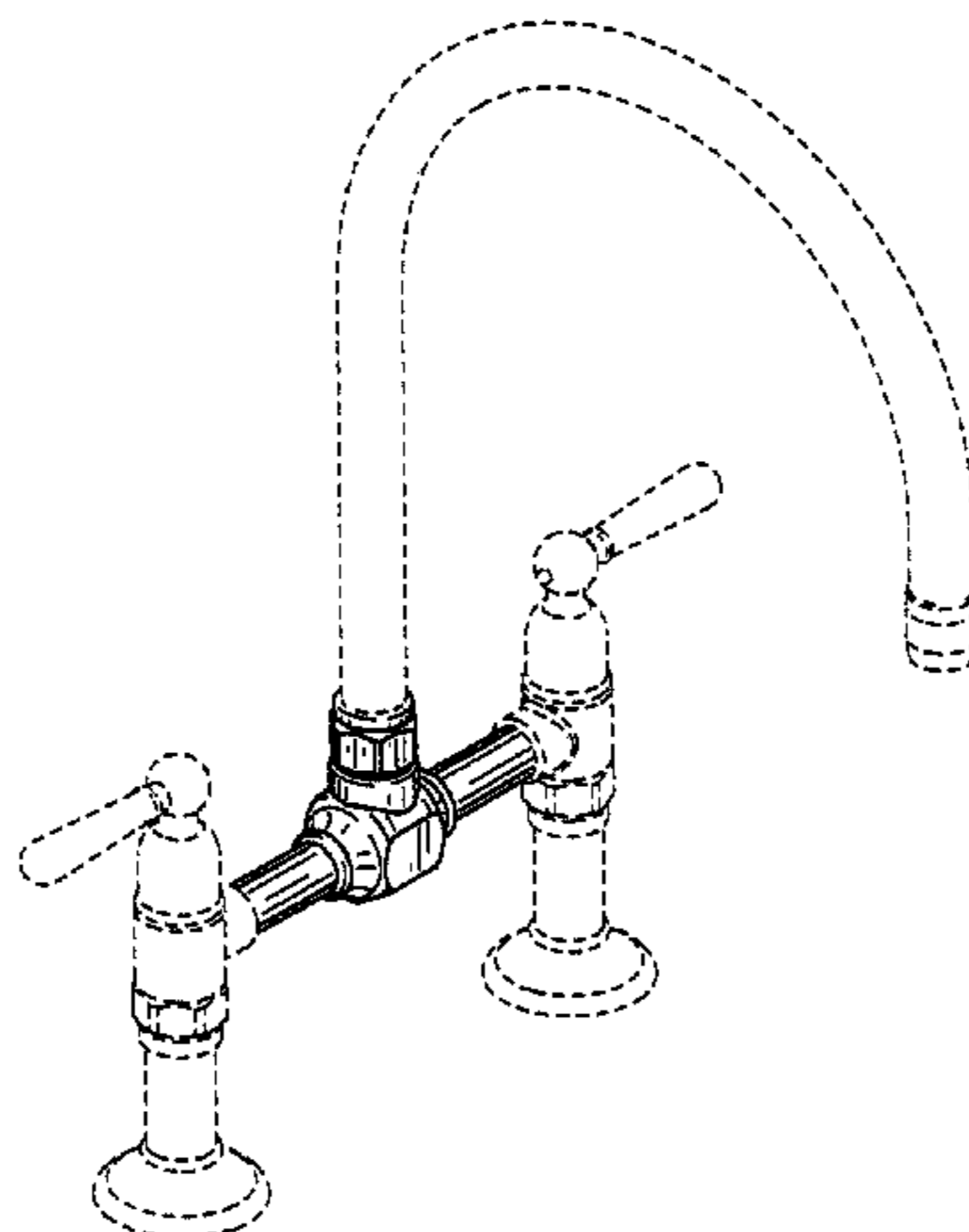
FIG. 10 is a top plan view thereof;

FIG. 11 is a bottom plan view thereof; and,

FIG. 12 is a rear elevational view thereof.

The broken lines are included for the purpose of illustrating environment and form no part of the claimed design.

**1 Claim, 12 Drawing Sheets**



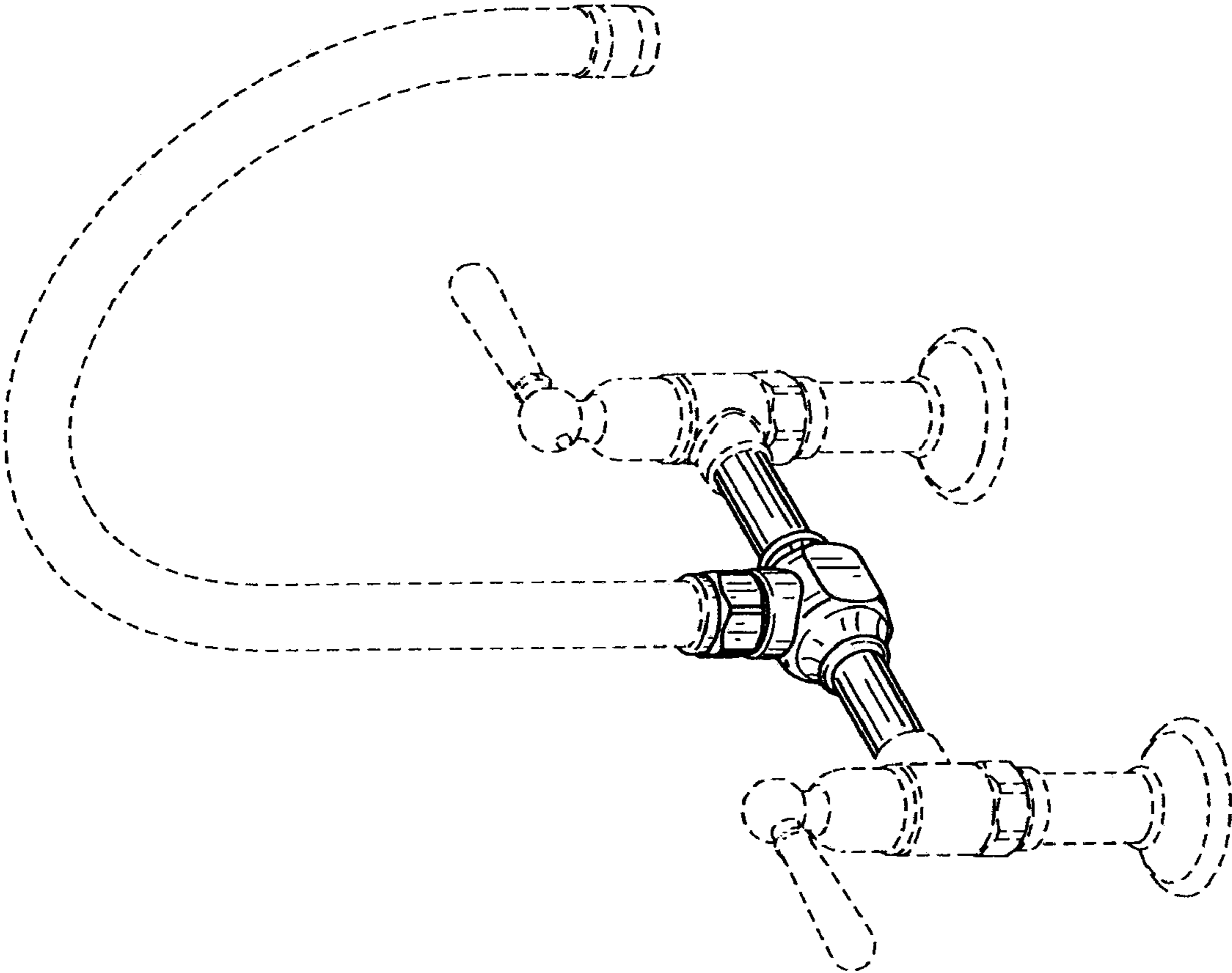


FIG. 1

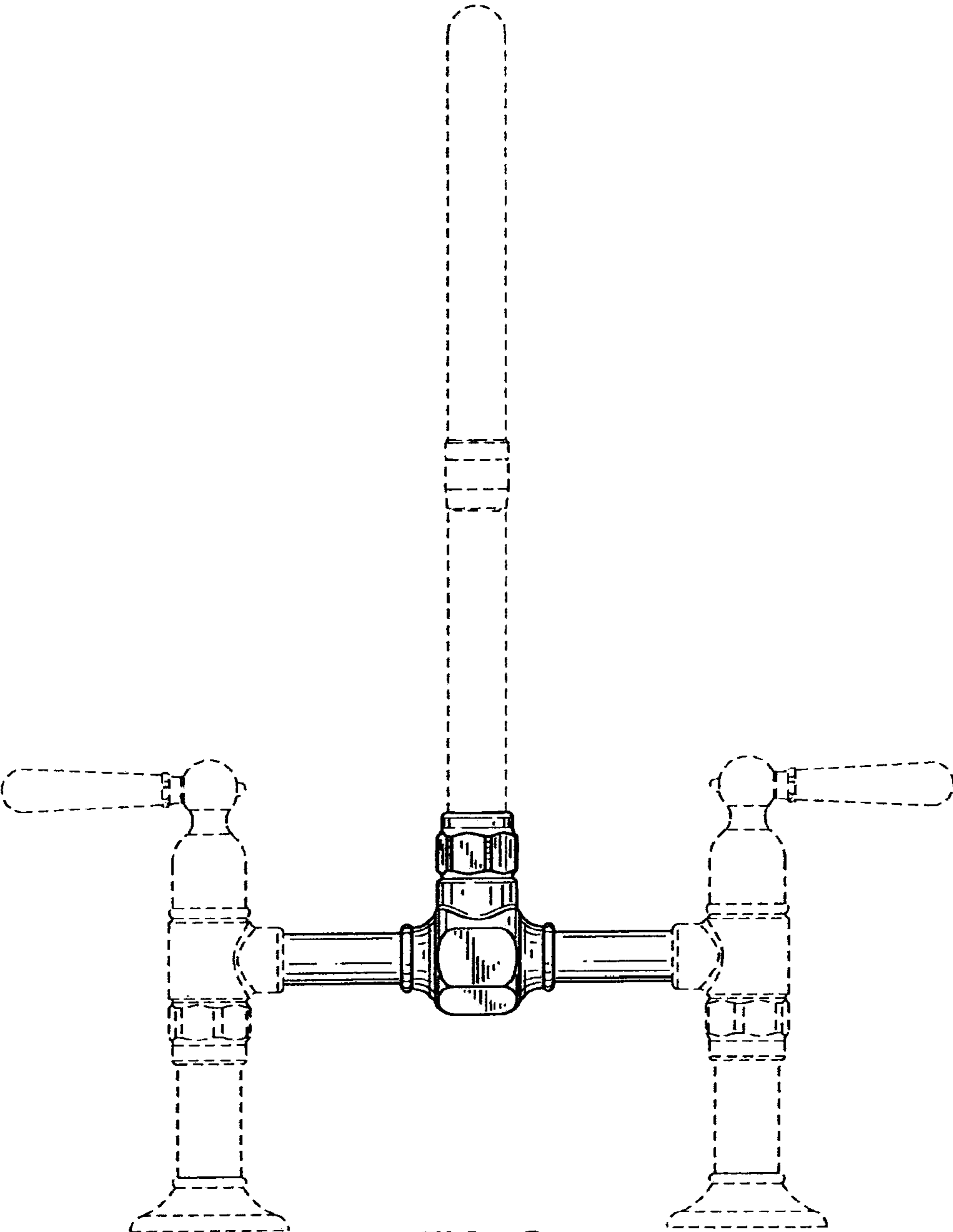


FIG. 2

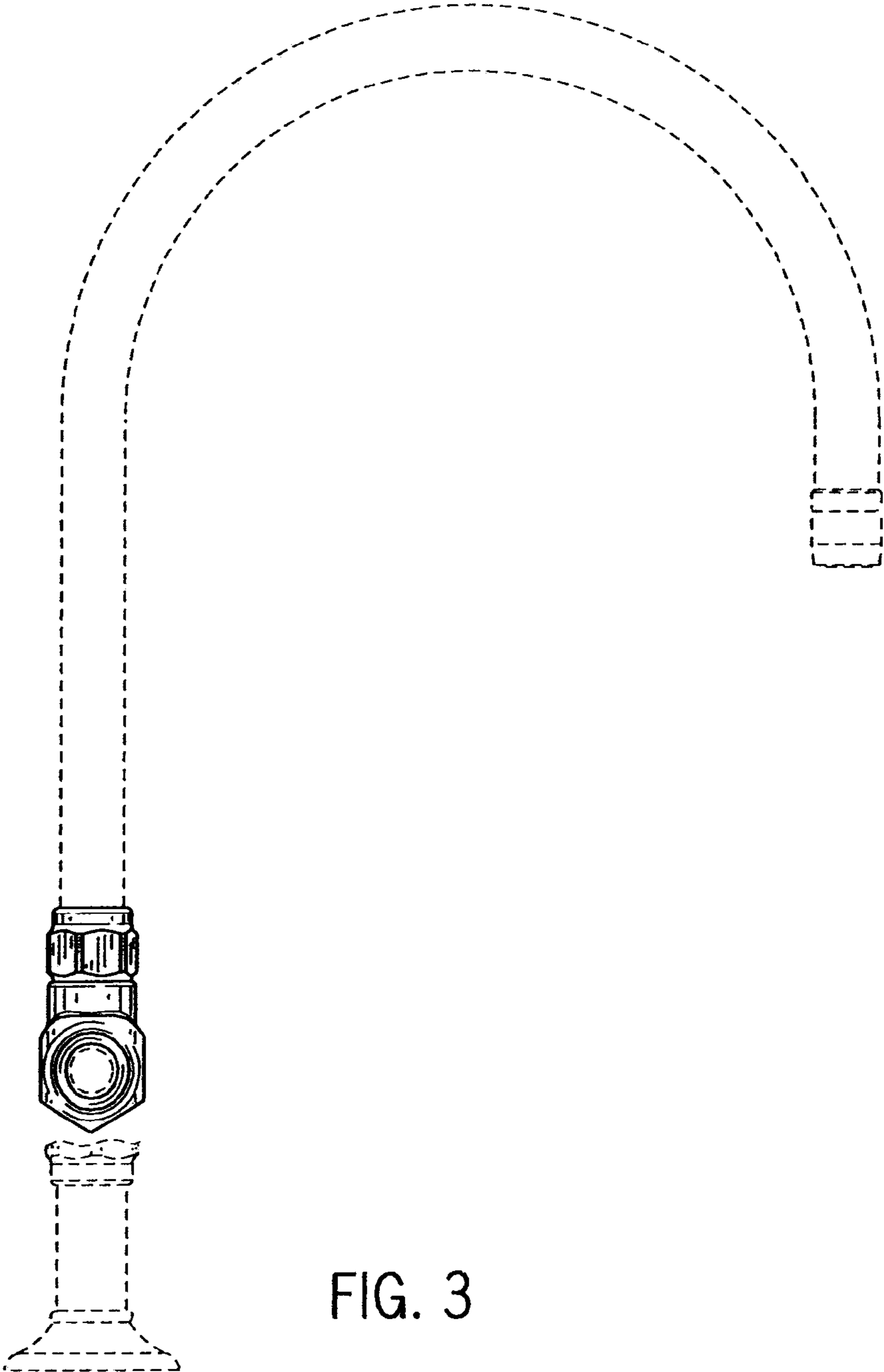


FIG. 3

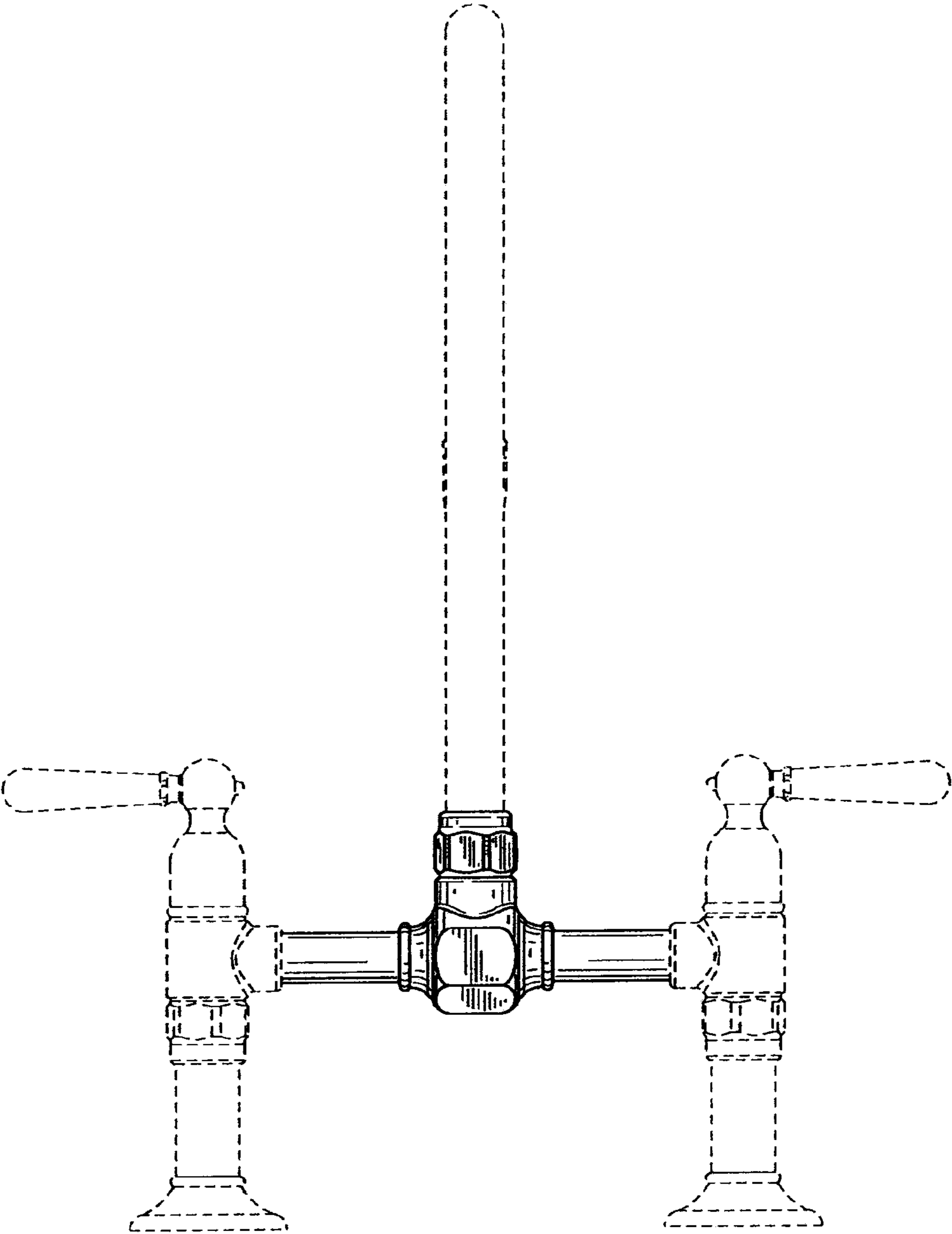


FIG. 4

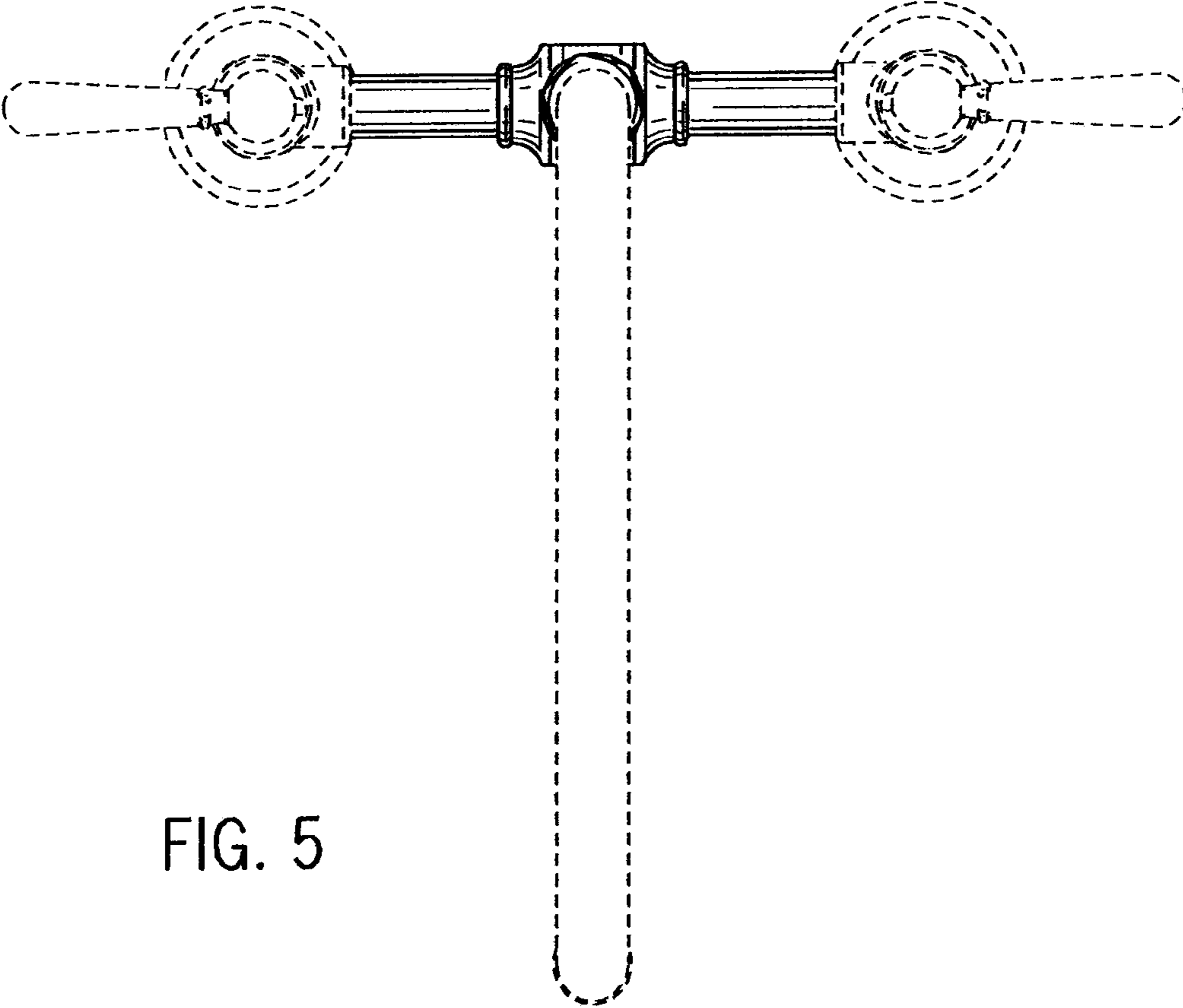


FIG. 5

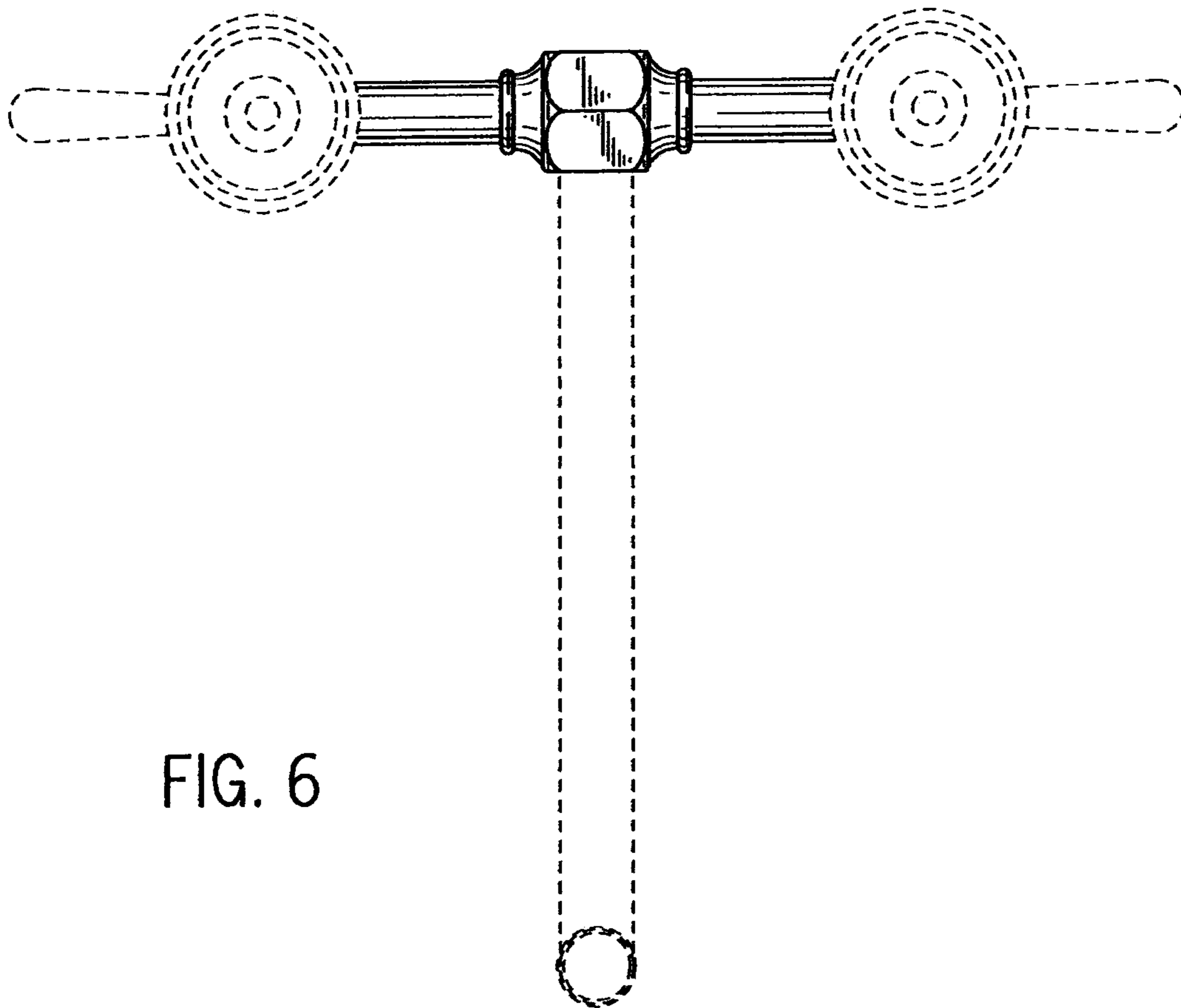


FIG. 6

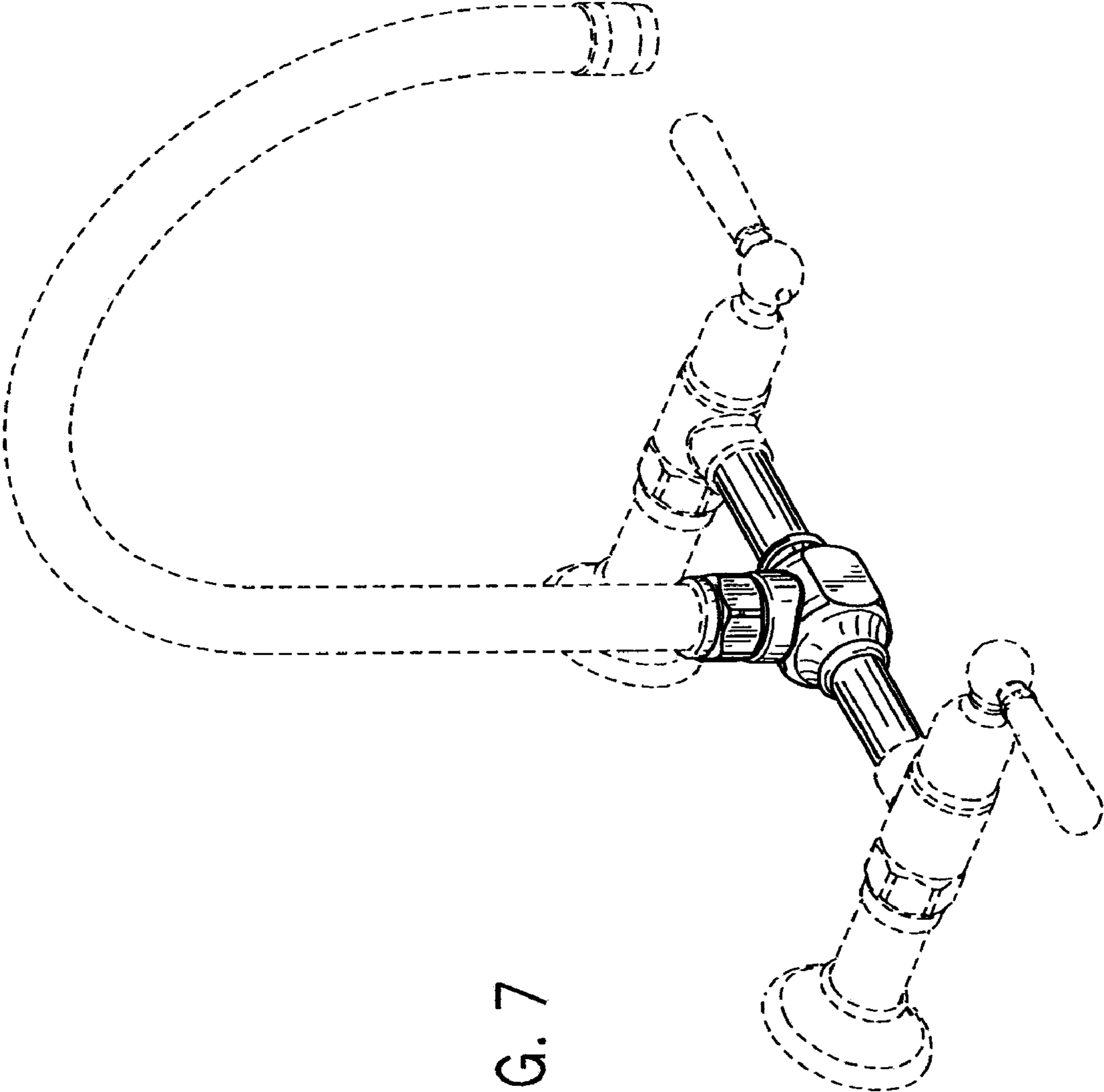


FIG. 7



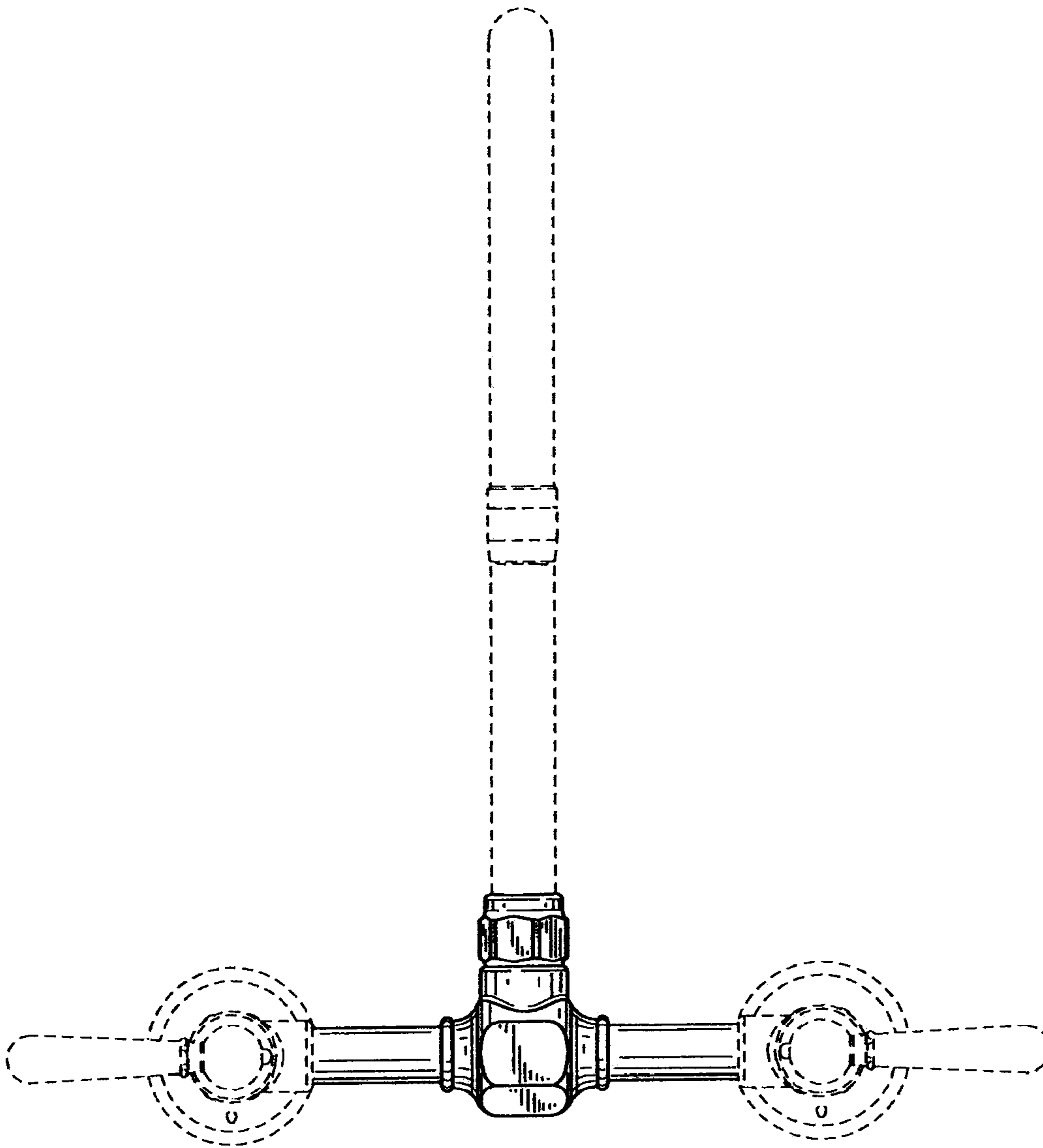


FIG. 8

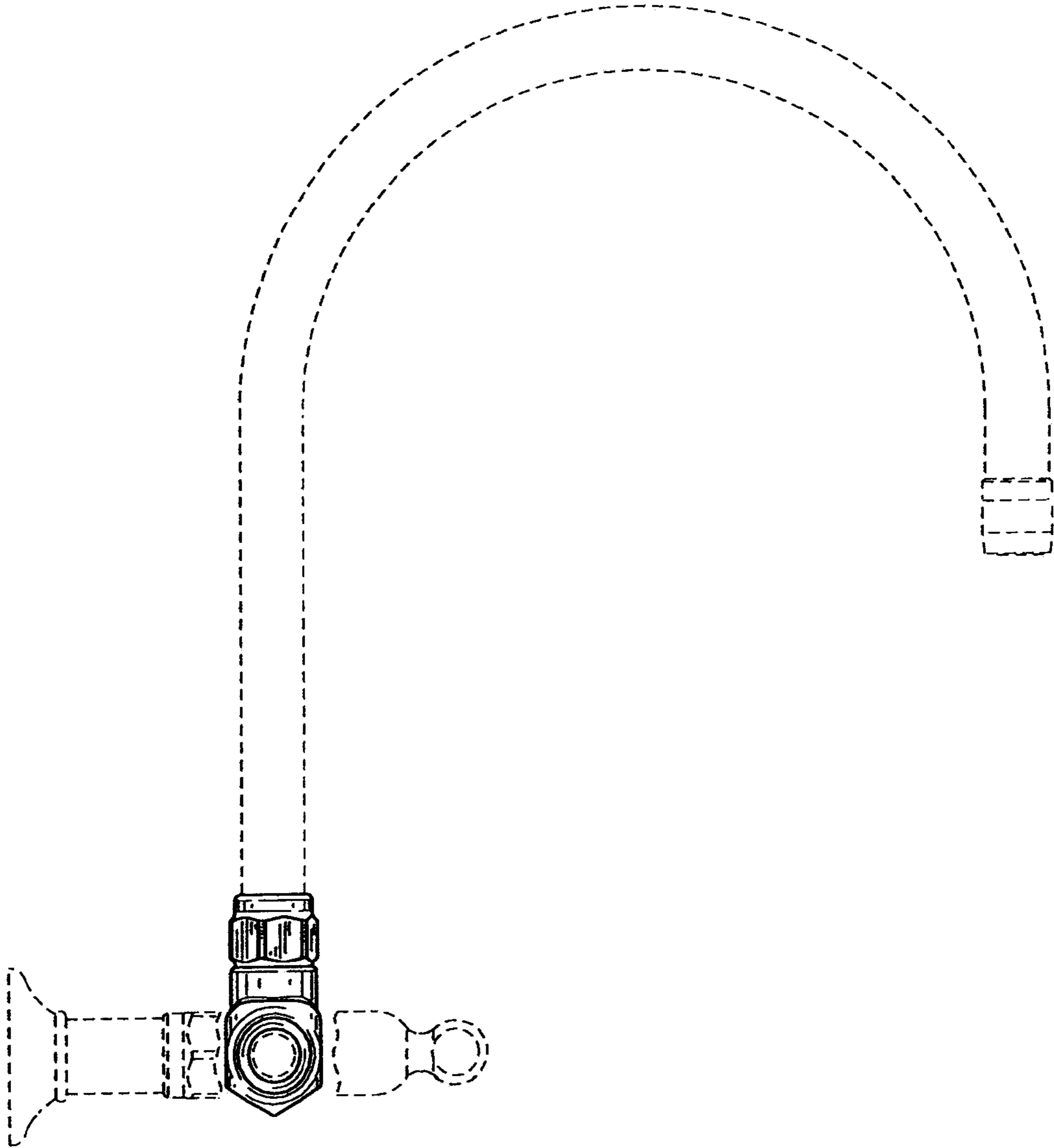


FIG. 9

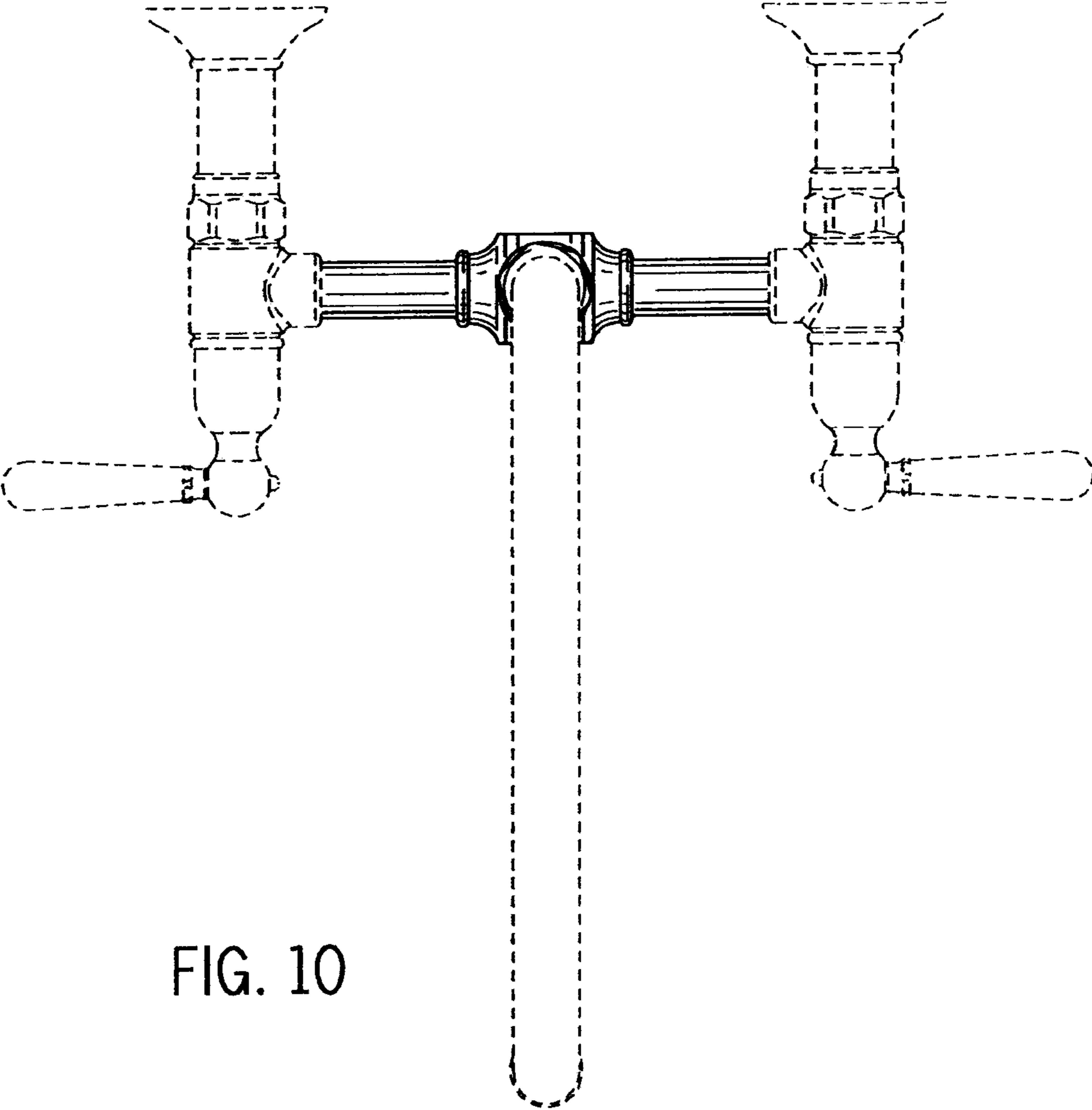


FIG. 10

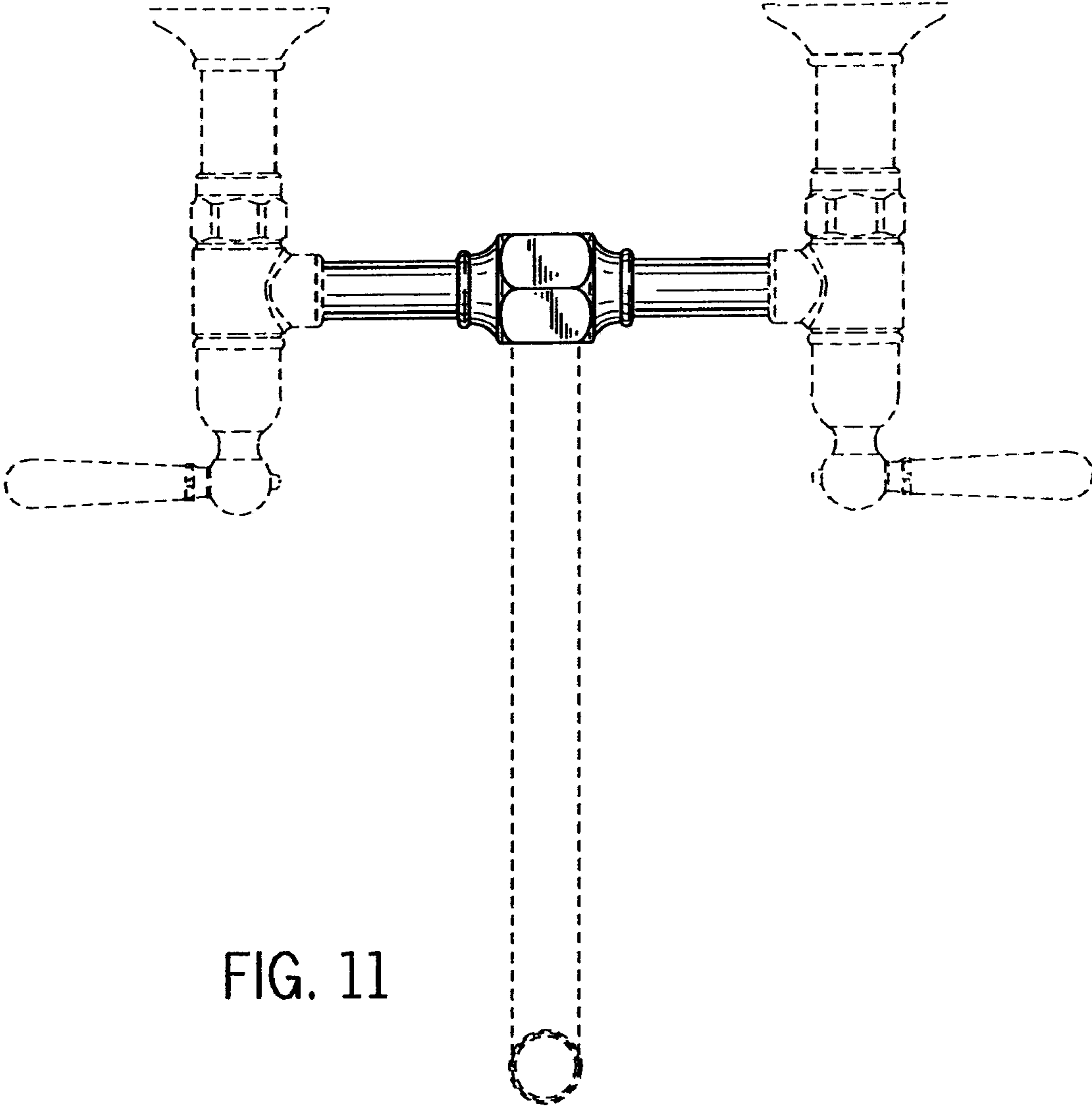


FIG. 11

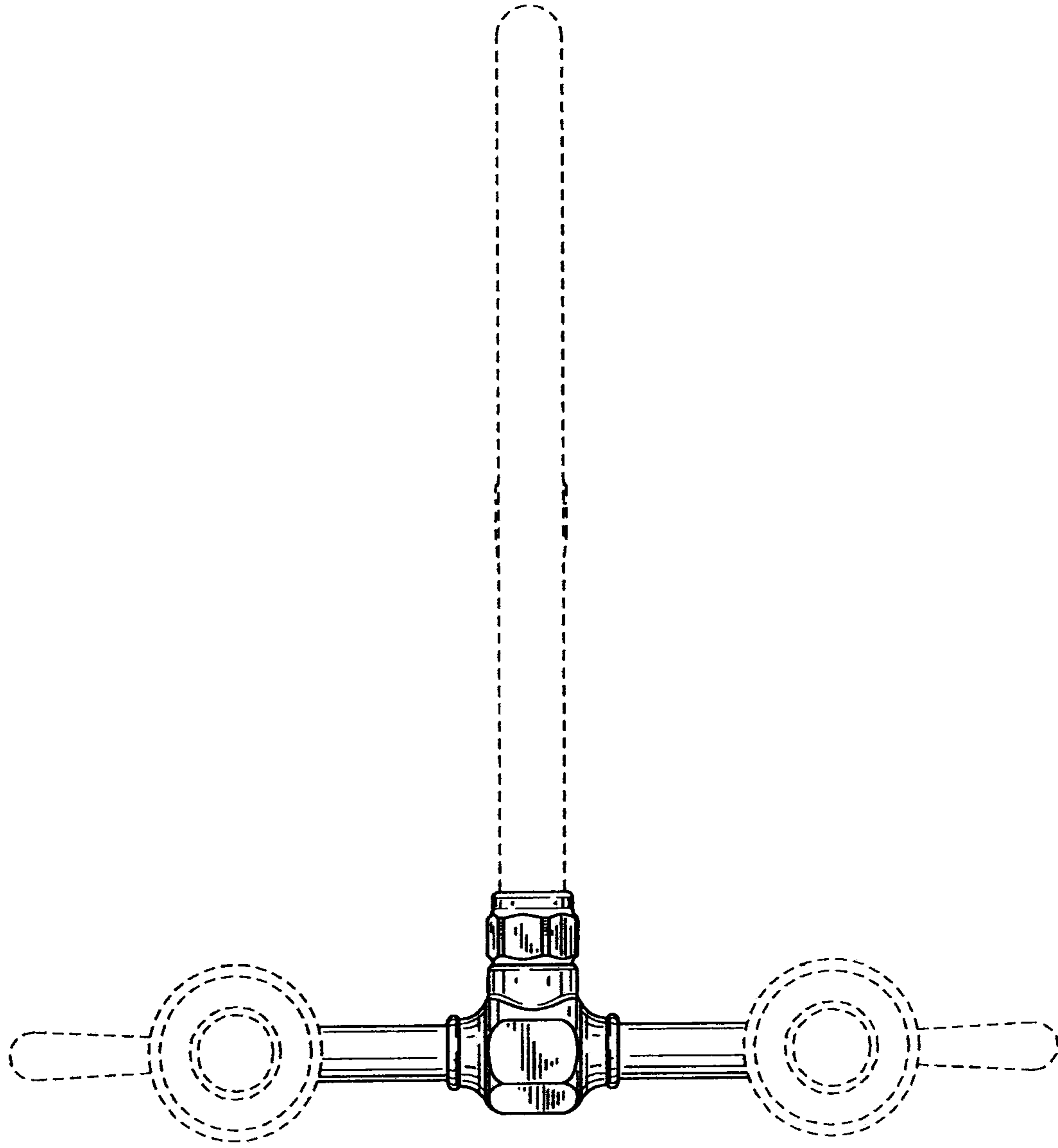


FIG. 12