



US00D585108S

(12) **United States Design Patent**
Cheng

(10) **Patent No.:** **US D585,108 S**

(45) **Date of Patent:** **** Jan. 20, 2009**

(54) **SPRINKLER HANDLE**

(75) Inventor: **Chi Han Cheng**, Changhua Hsien (TW)

(73) Assignee: **Yuan Mei Corp.**, Changhua Hsien (TW)

(**) Term: **14 Years**

(21) Appl. No.: **29/300,506**

(22) Filed: **Apr. 4, 2008**

(51) **LOC (9) Cl.** **23-01**

(52) **U.S. Cl.** **D23/223; D23/226**

(58) **Field of Classification Search** D23/213,
D23/223, 226; 239/459, 525-6
See application file for complete search history.

(56) **References Cited**

U.S. PATENT DOCUMENTS

| | | | | |
|--------------|---------|----------|-------|---------|
| D354,332 S * | 1/1995 | Wang | | D23/223 |
| D422,339 S * | 4/2000 | Ericksen | | D23/226 |
| D517,645 S * | 3/2006 | Chang | | D23/226 |
| D534,240 S * | 12/2006 | Wang | | D23/226 |
| D553,712 S * | 10/2007 | Chih | | D23/226 |
| D558,302 S * | 12/2007 | Chih | | D23/226 |

* cited by examiner

Primary Examiner—Robin V Webster

(74) *Attorney, Agent, or Firm*—Troxell Law Office, PLLC

(57) **CLAIM**

The ornamental design for a sprinkler handle, as shown and described.

DESCRIPTION

FIG. 1 is a perspective view of a sprinkler handle showing my new design;

FIG. 2 is a front view thereof;

FIG. 3 is a rear view thereof;

FIG. 4 is a left side view thereof;

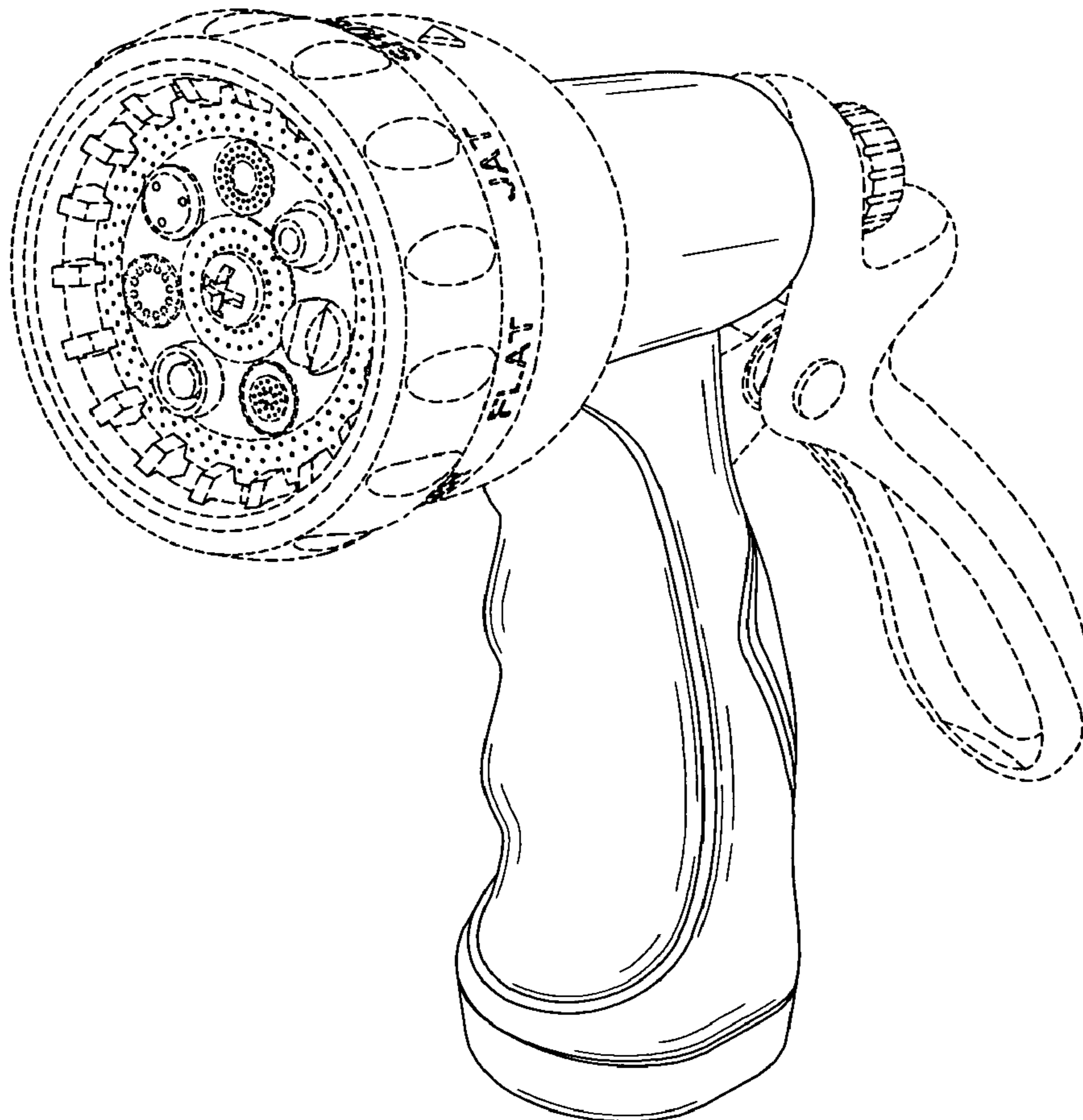
FIG. 5 is a right side view thereof;

FIG. 6 is a top view thereof; and,

FIG. 7 is a bottom view thereof.

The broken line showing of the nozzle and trigger is included for the purpose of illustrating and forms no part of the claimed design.

1 Claim, 7 Drawing Sheets



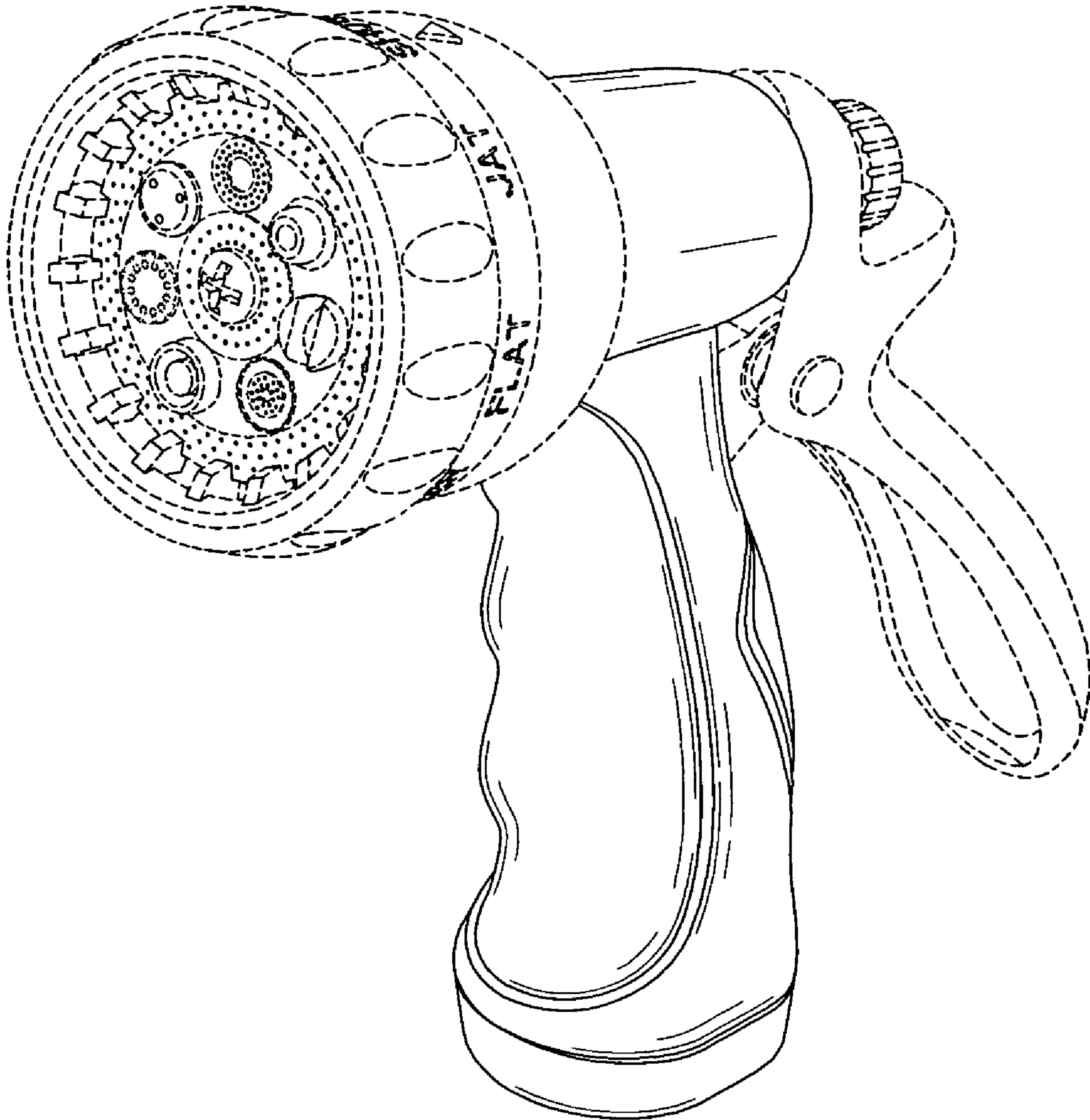


FIG. 1

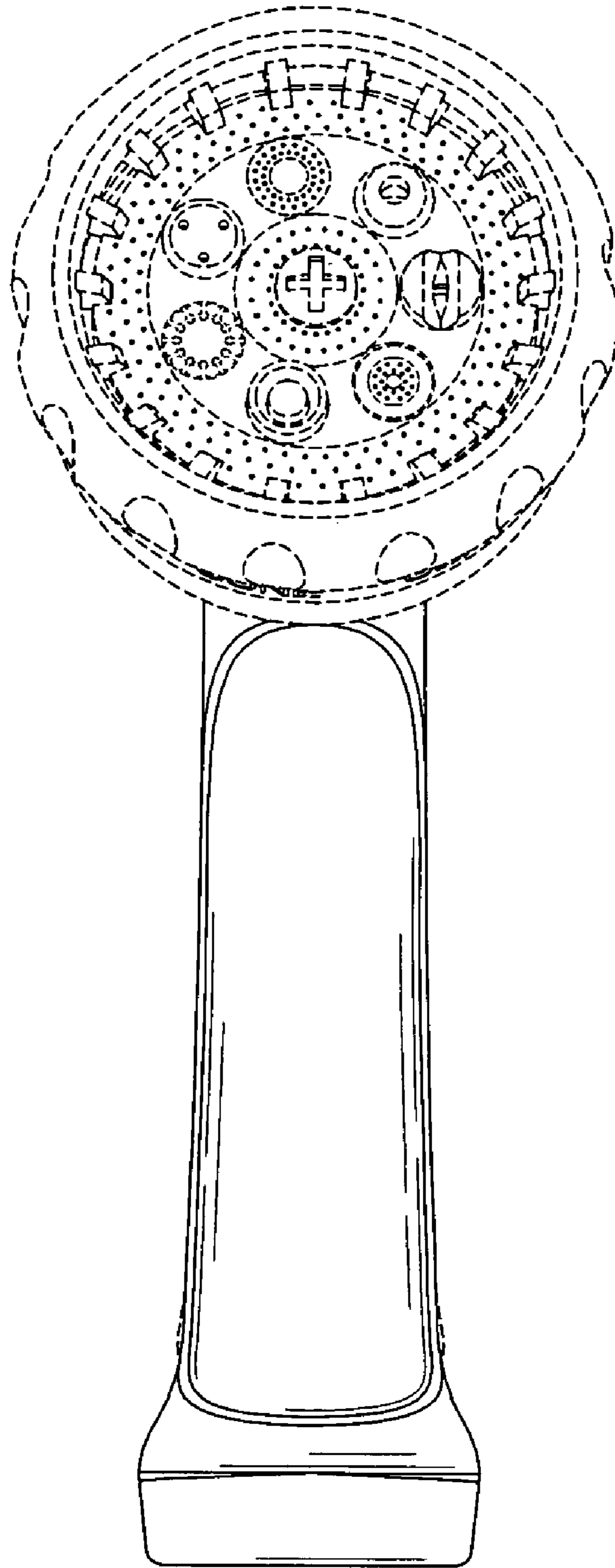


FIG. 2

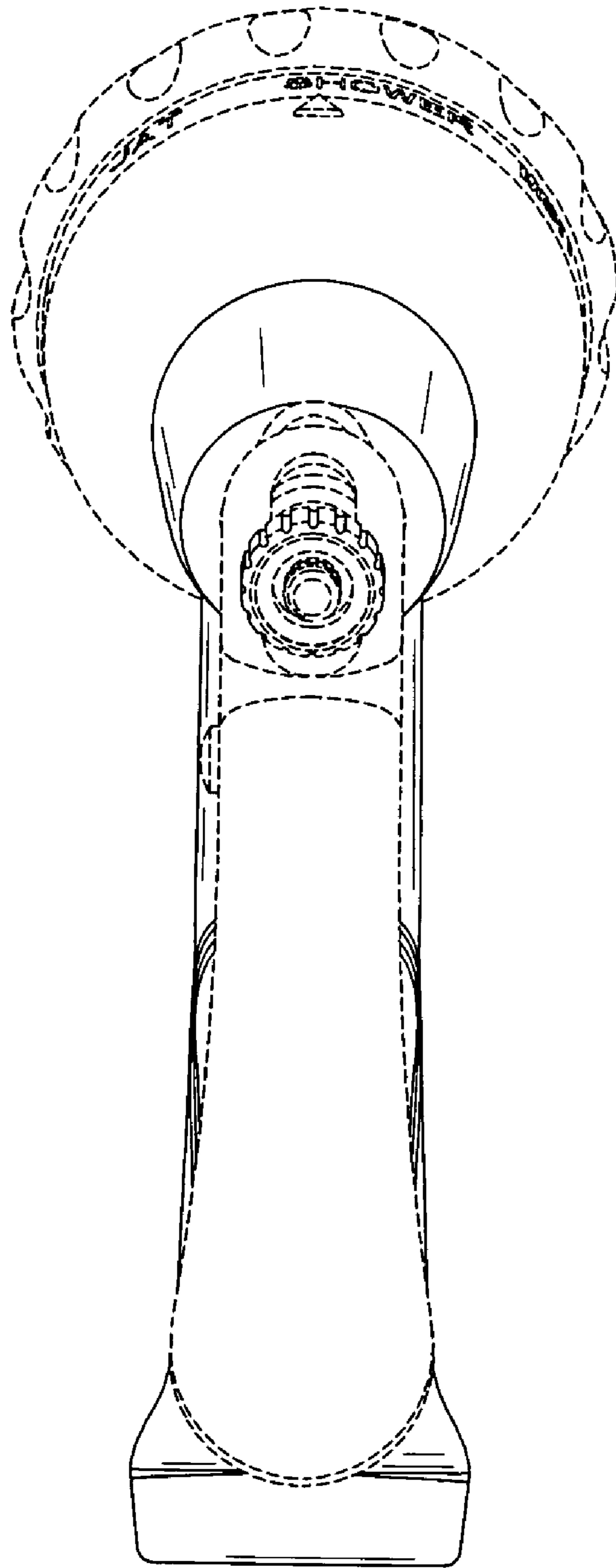


FIG. 3

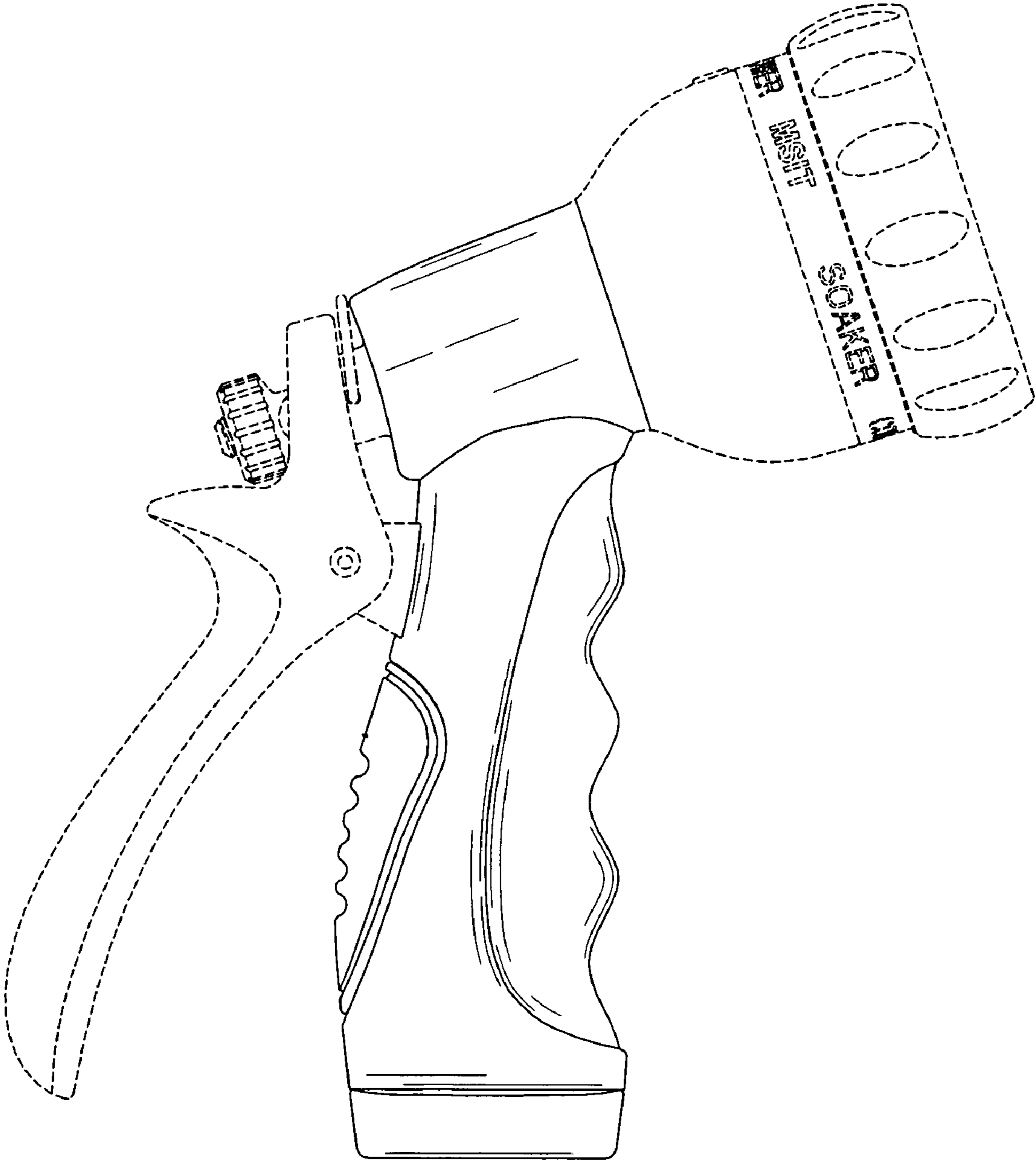


FIG. 4

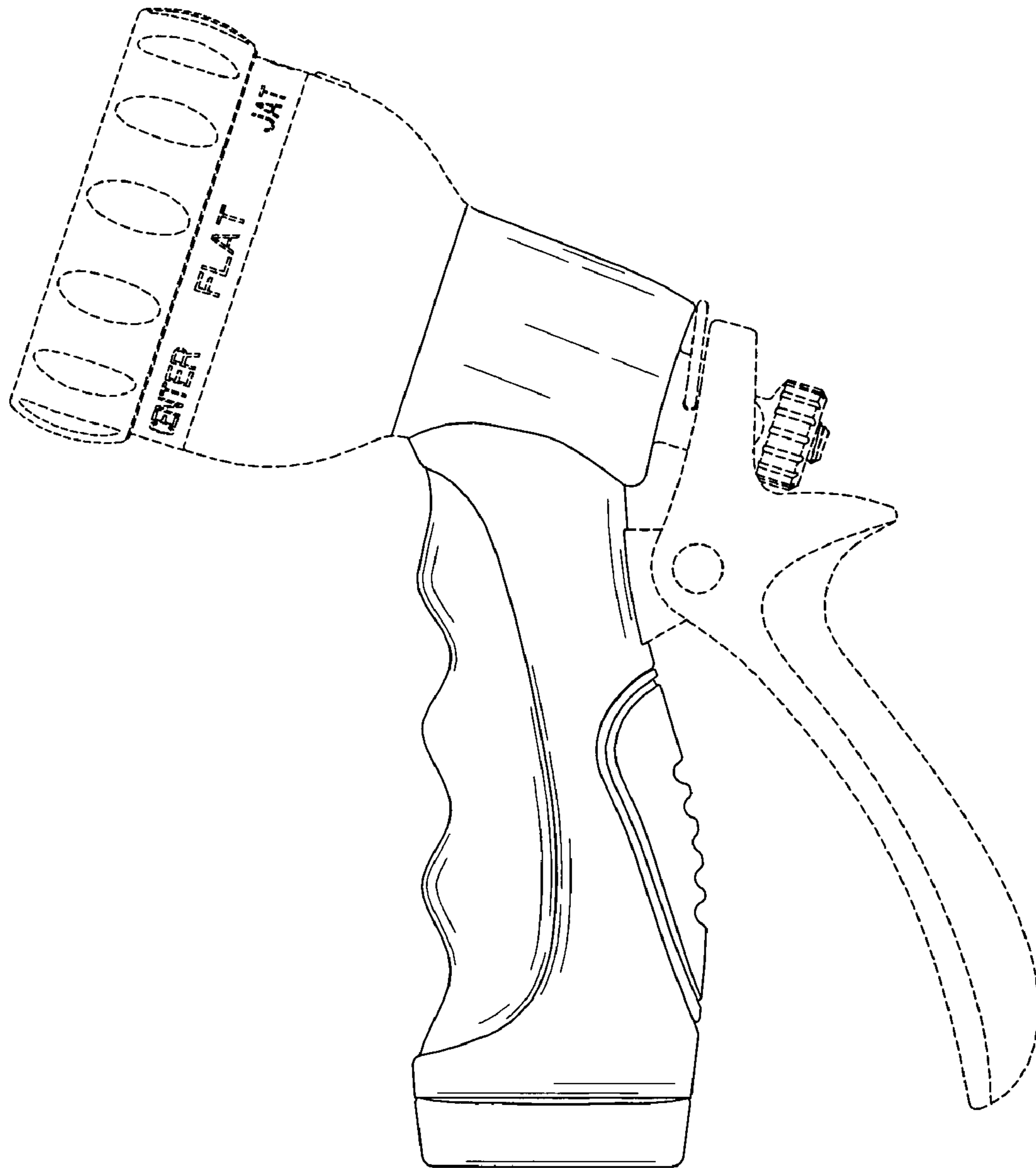


FIG. 5

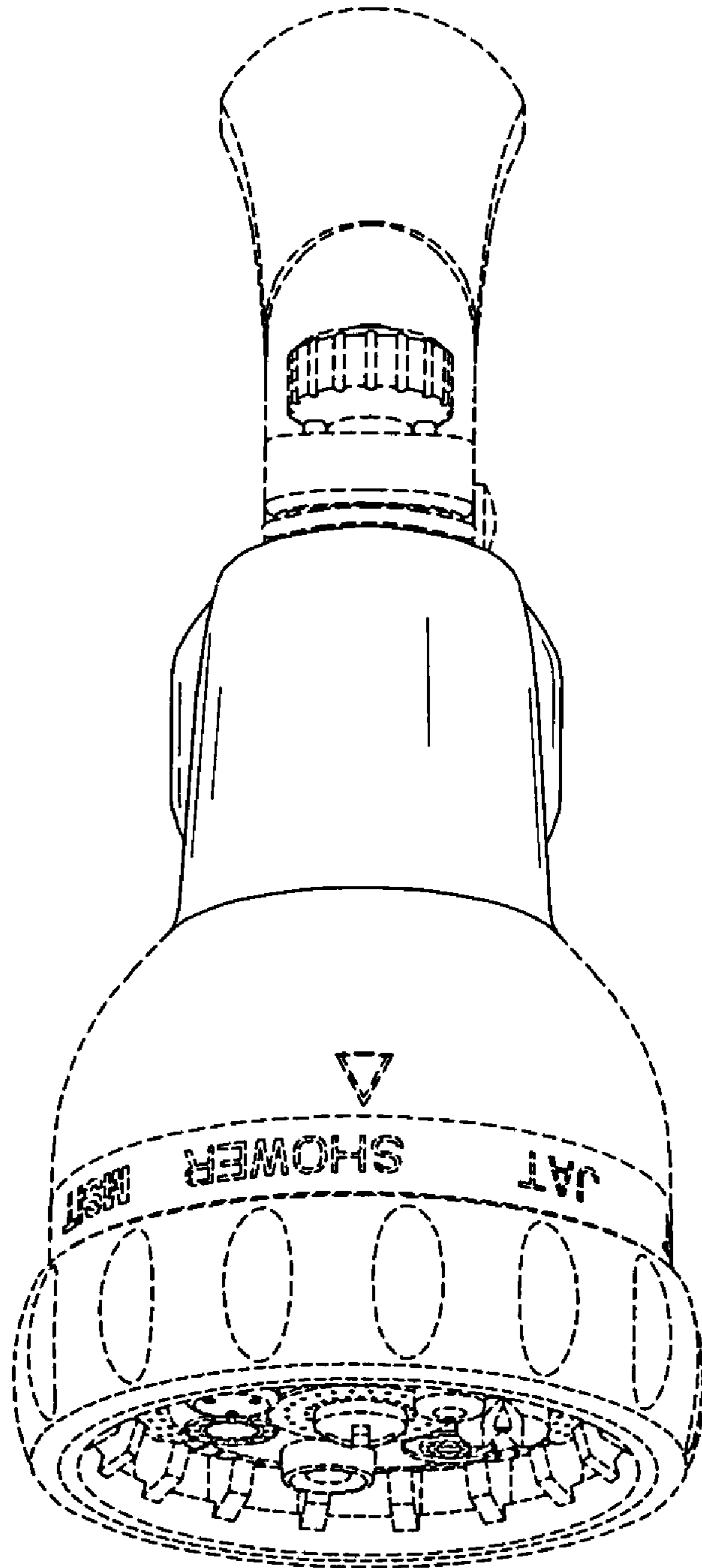


FIG. 6

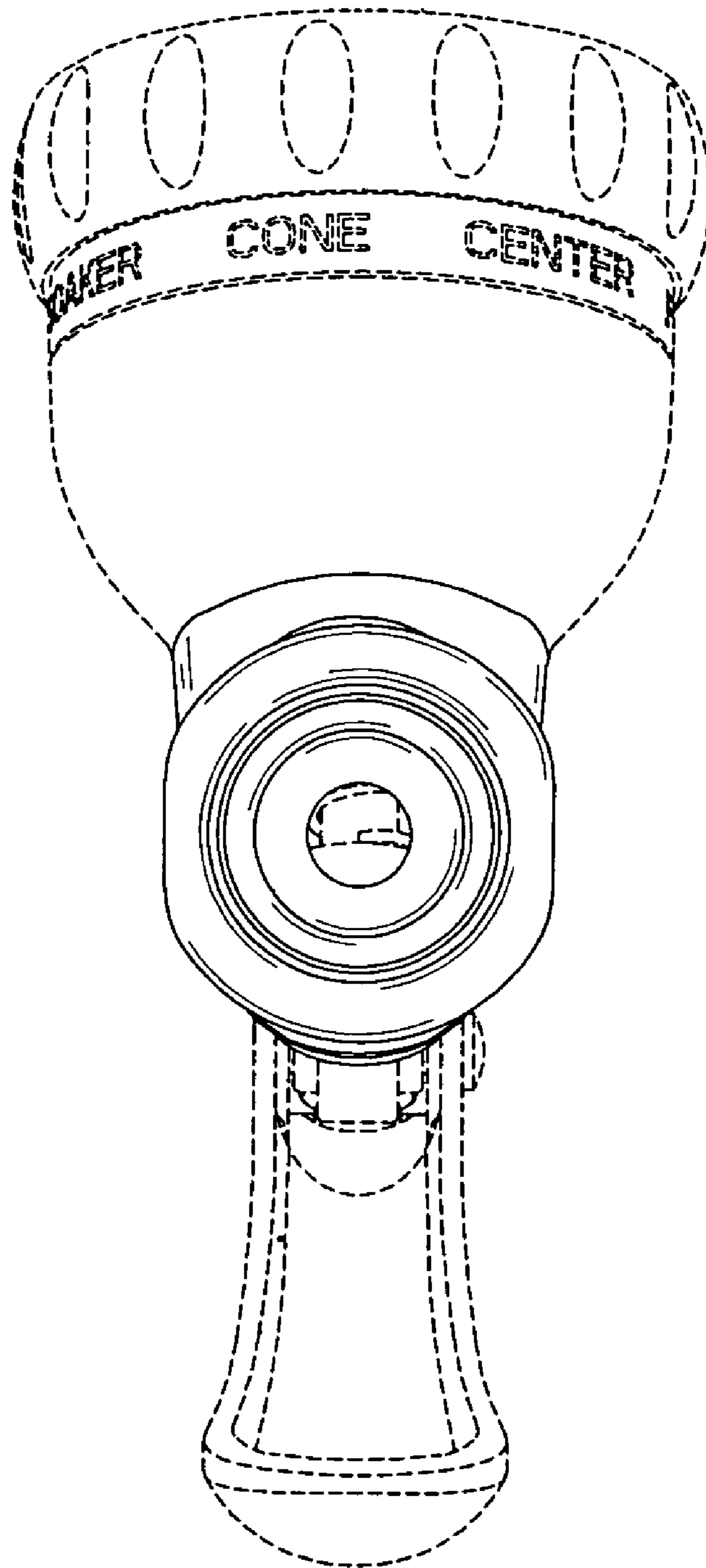


FIG. 7