



US00D585106S

(12) **United States Design Patent**
Kim

(10) **Patent No.:** **US D585,106 S**
(45) **Date of Patent:** **** Jan. 20, 2009**

(54) **TOOL FOR FIXING REDUCER FOR SPRINKLER IN SIDE WALL**

D523,736 S * 6/2006 Lu D8/373
D562,660 S * 2/2008 Kim D8/51

(75) Inventor: **Hyung Soo Kim**, Jungnang-gu (KR)

* cited by examiner

(73) Assignees: **Yong Won E.N.C. Ltd.**,
Yeongdeungpo-Gu (KR); **Morti Hirsch**,
New York, NY (US)

Primary Examiner—Cathron C Brooks

Assistant Examiner—Michael A Pratt

(74) *Attorney, Agent, or Firm*—Day Pitney LLP

(**) Term: **14 Years**

(57) **CLAIM**

(21) Appl. No.: **29/285,506**

The ornamental design for the tool for fixing reducer for sprinkler in side wall, as shown.

(22) Filed: **Mar. 30, 2007**

DESCRIPTION

(51) **LOC (9) Cl.** **23-01**

(52) **U.S. Cl.** **D23/214; D8/51**

(58) **Field of Classification Search** D23/213,
D23/214, 249, 257, 259, 260, 261, 262, 263,
D23/264, 265, 266, 267, 268; D8/14, 51,
D8/59, 71–74, 373; 29/256, 257, 263, 272,
29/264, 273; D15/7; 285/1, 53, 112, 179,
285/340, 367, 373, 404, 915; 261/DIG. 22;
4/675–678; 269/1, 55, 60; 81/488

FIG. 1 is a perspective view of a tool for fixing a reducer for sprinkler in a side wall showing new design;

FIG. 2 is a front view thereof;

FIG. 3 is a rear view thereof;

FIG. 4 is a left-side view thereof;

FIG. 5 is a right-side view thereof;

FIG. 6 is a top plan view thereof;

FIG. 7 is a bottom view thereof; and,

FIG. 8 is another perspective view thereof.

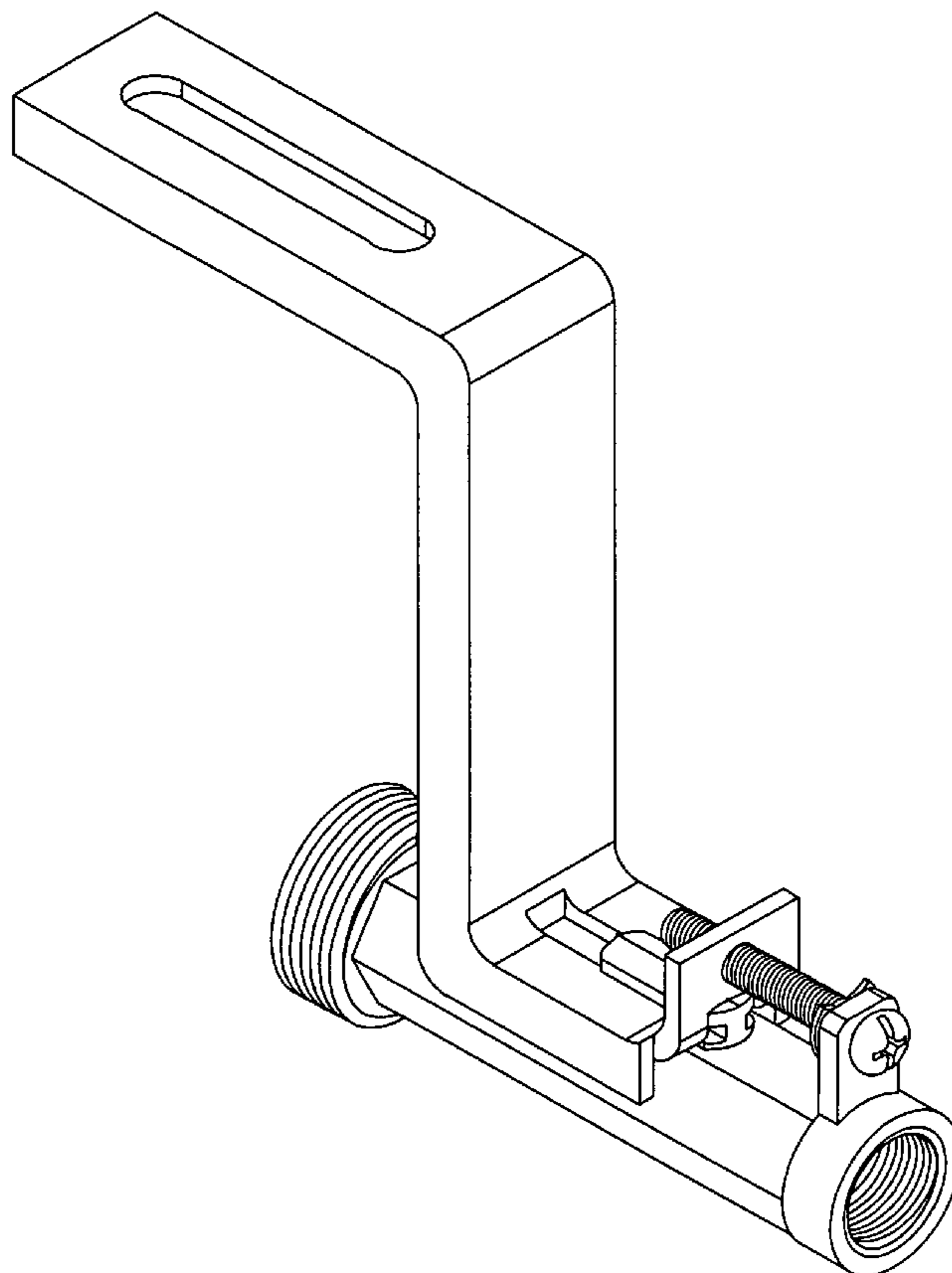
See application file for complete search history.

(56) **References Cited**

U.S. PATENT DOCUMENTS

5,088,360 A * 2/1992 Lish 81/180.1

1 Claim, 6 Drawing Sheets



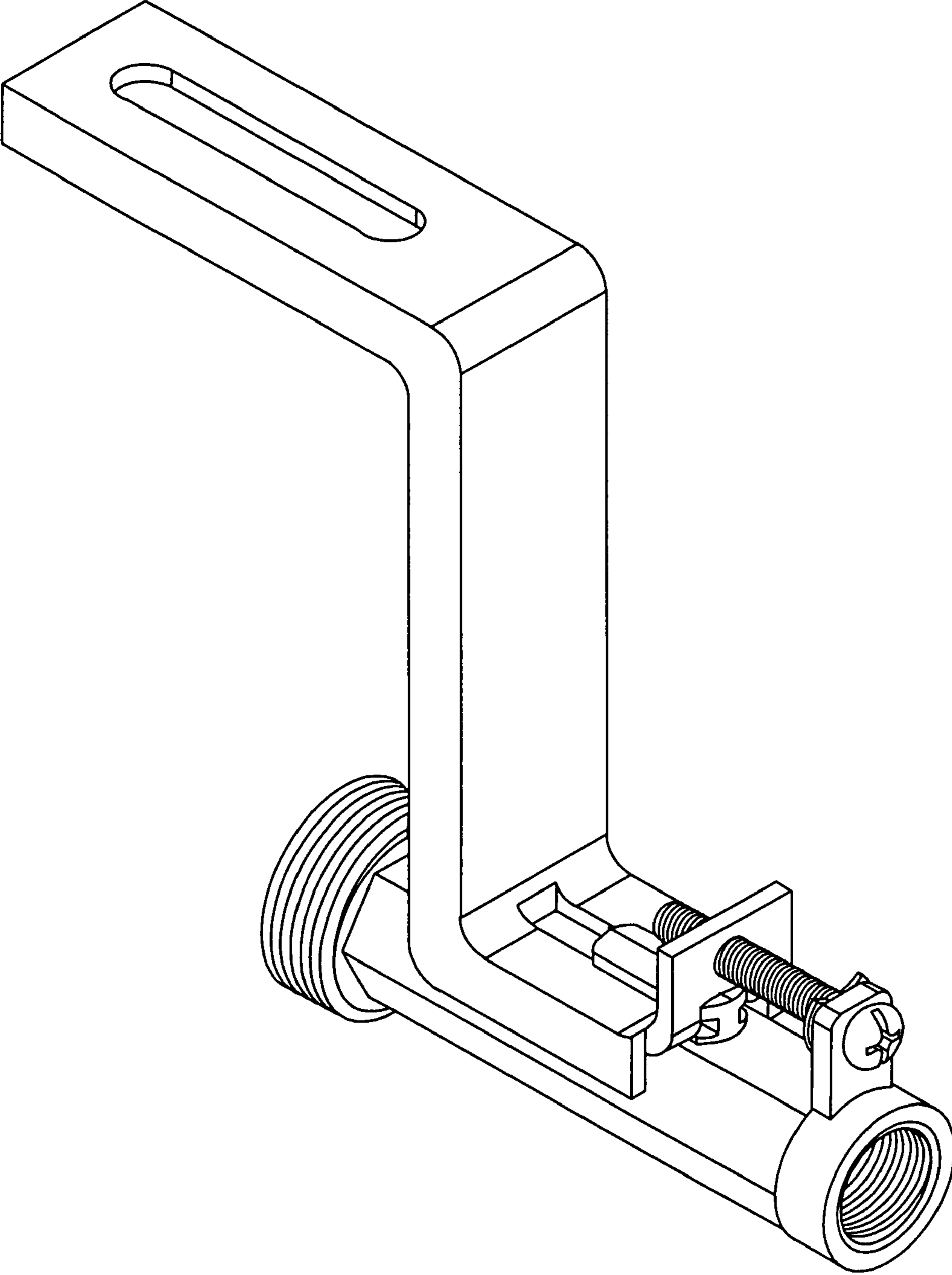


FIG. 1

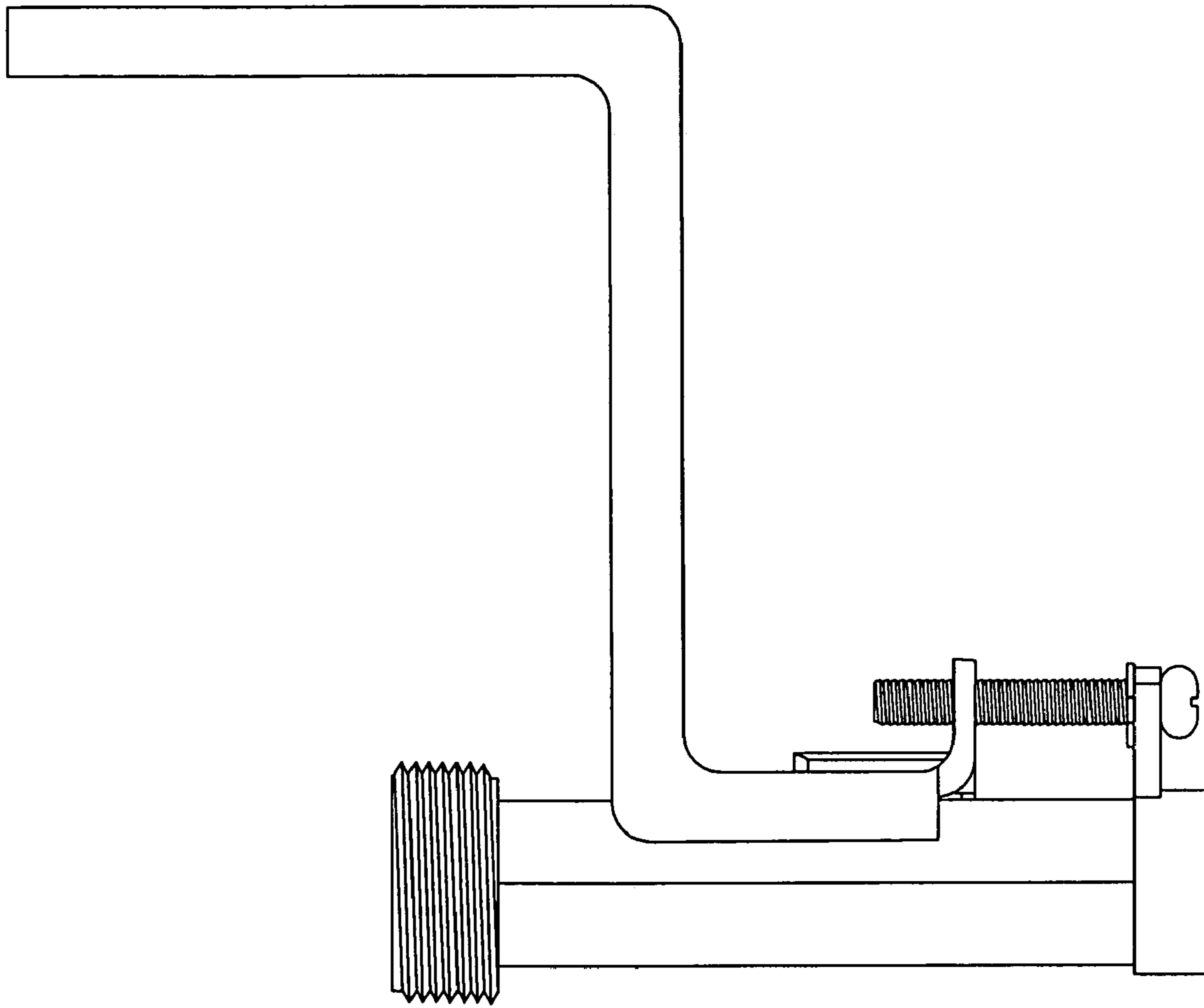


FIG. 2

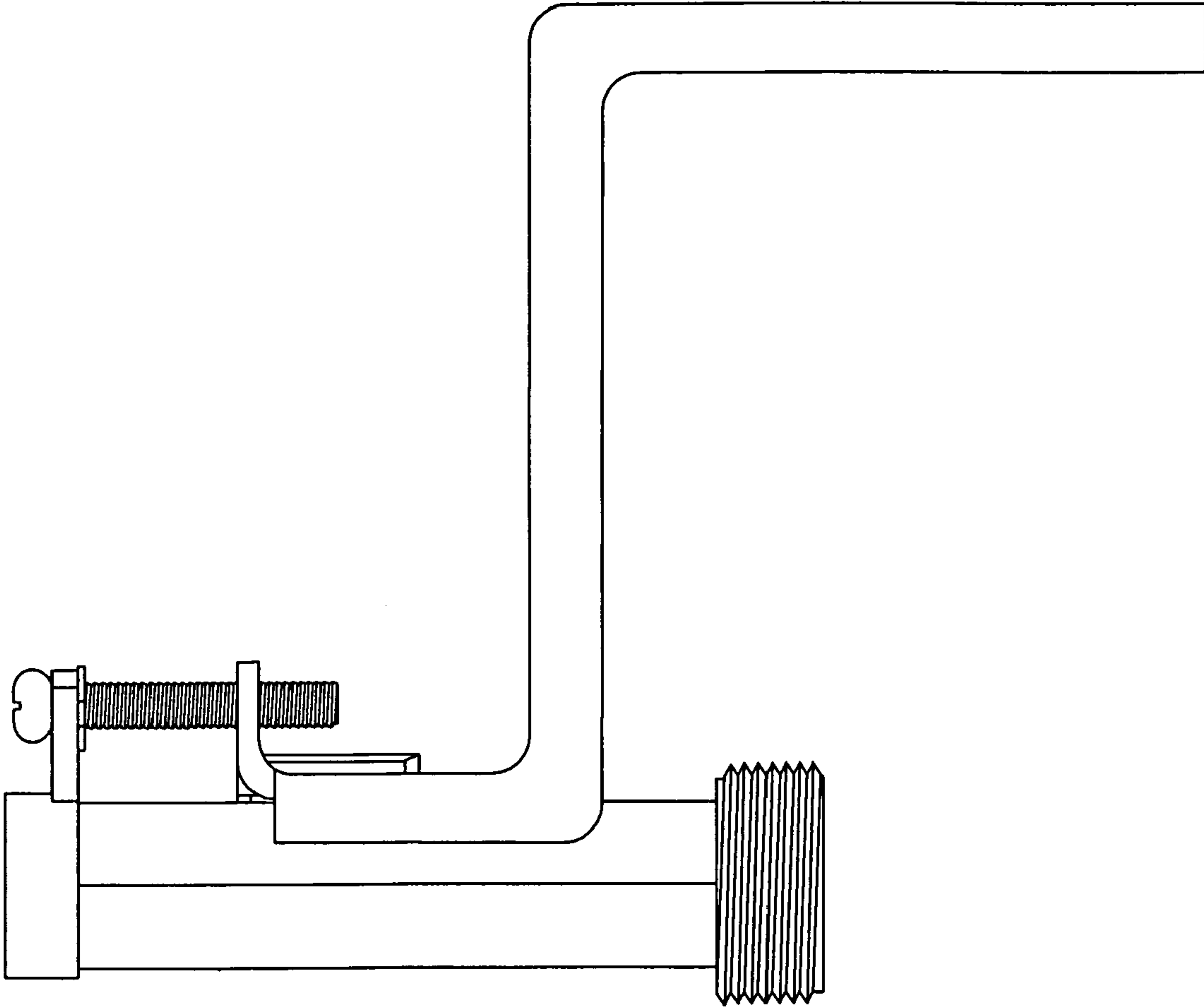


FIG. 3

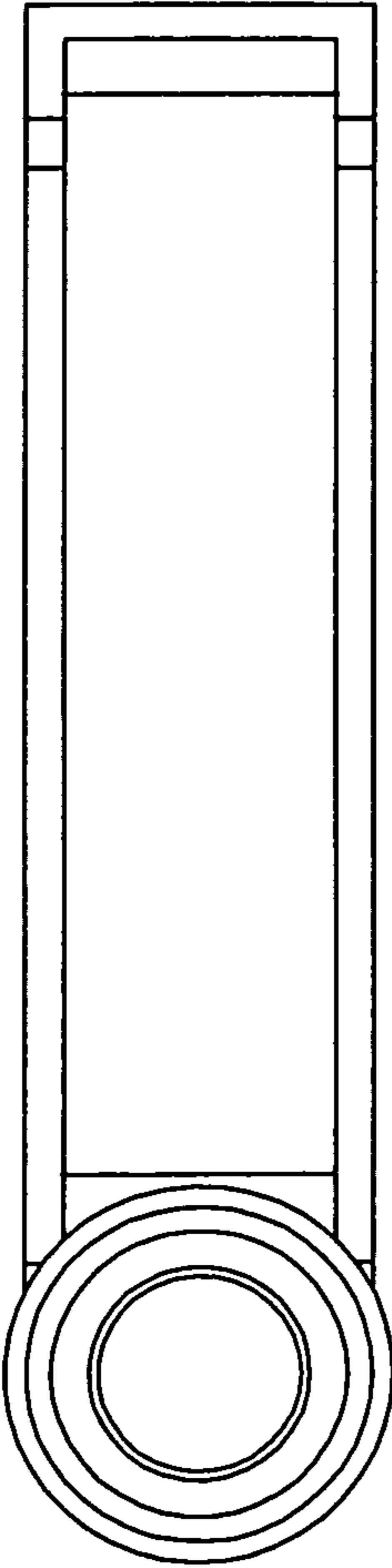


FIG. 4

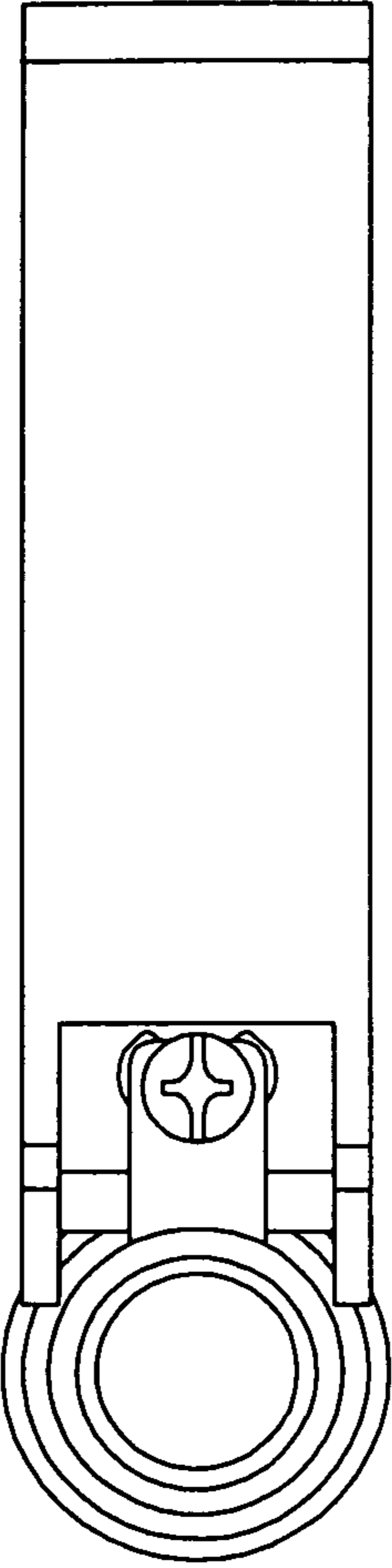


FIG. 5

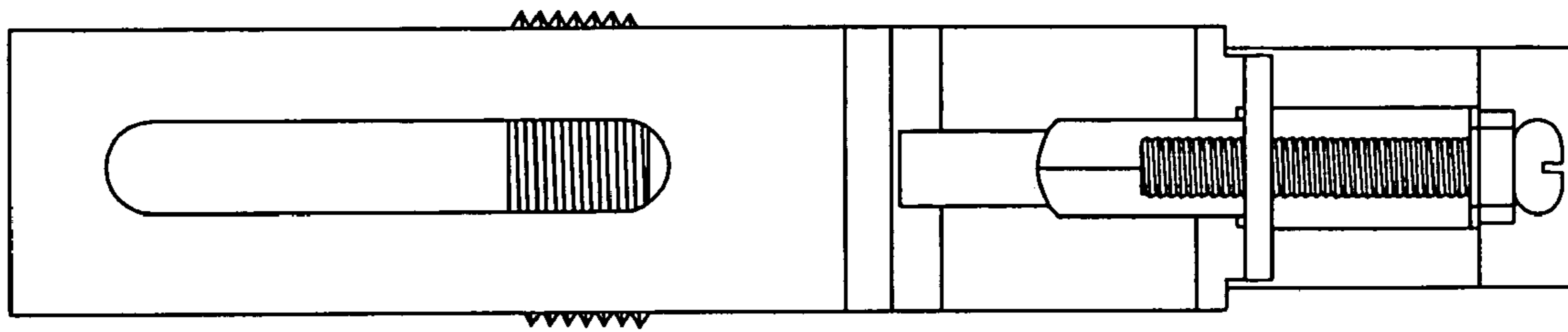


FIG. 6

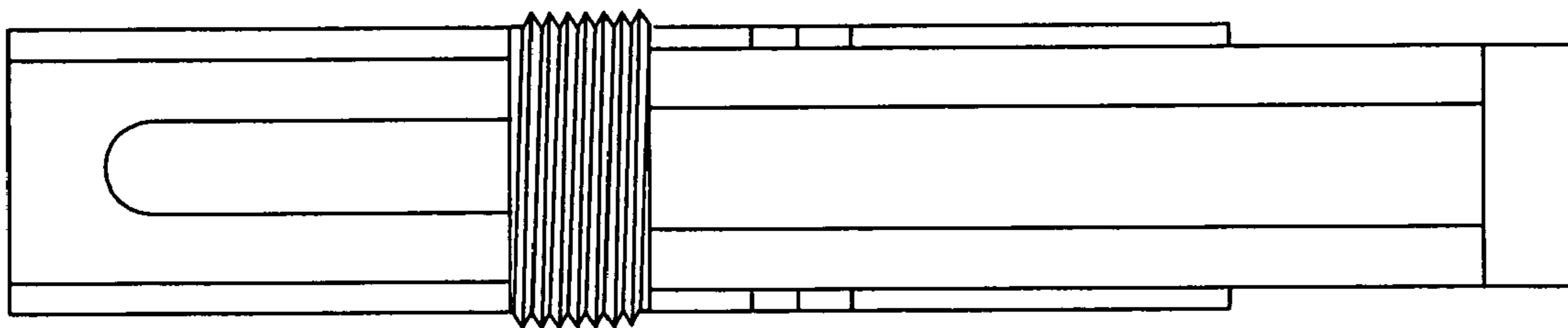


FIG. 7

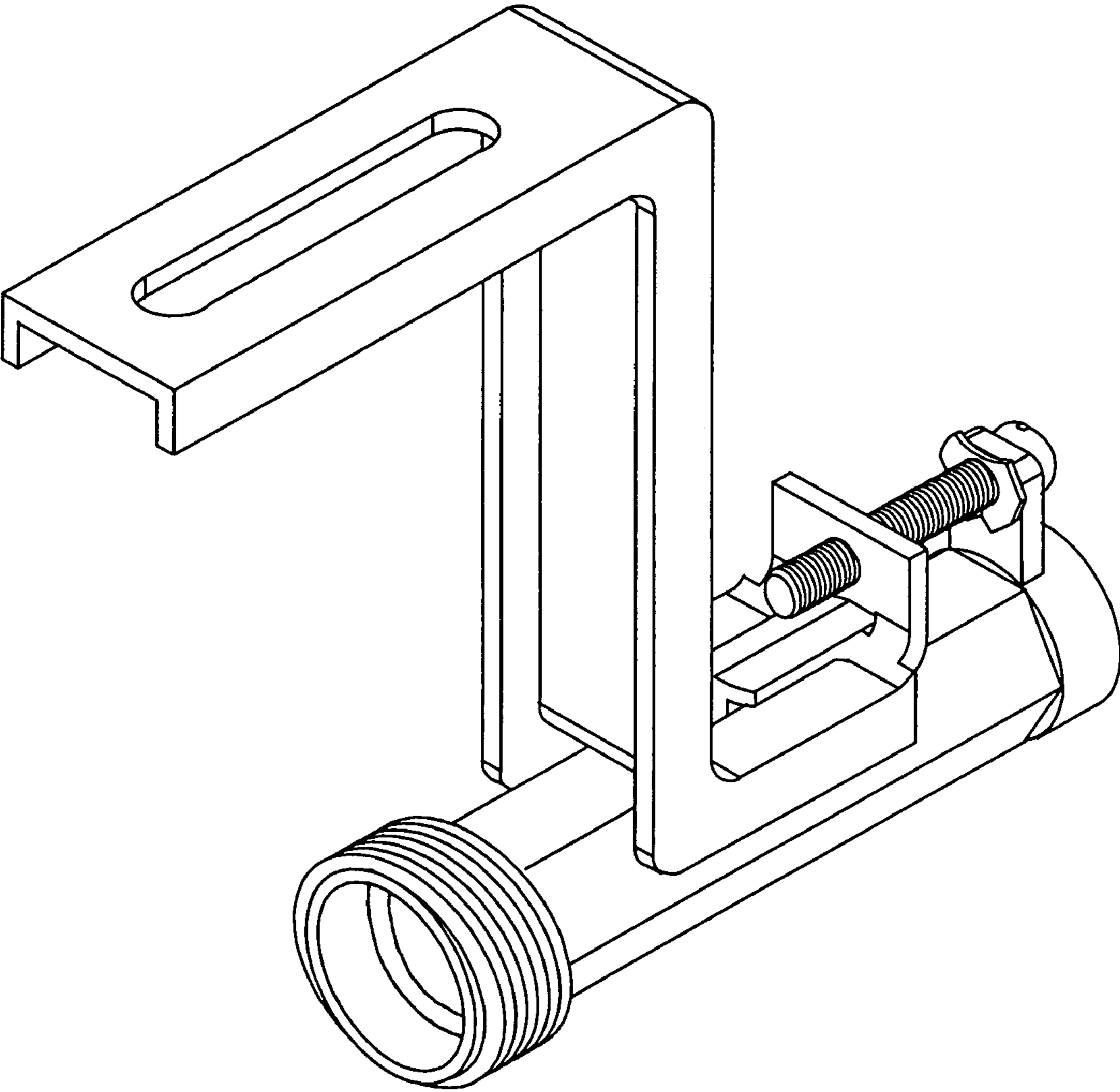


FIG. 8