



US00D585105S

(12) **United States Design Patent**  
**Nago**

(10) **Patent No.:** **US D585,105 S**  
(45) **Date of Patent:** **\*\* Jan. 20, 2009**

(54) **FISHING REEL PORTION**

(75) Inventor: **Akira Nago**, Sakai-Osaka (JP)

(73) Assignee: **Shimano Inc.**, Osaka (JP)

(\*\*) Term: **14 Years**

(21) Appl. No.: **29/319,656**

(22) Filed: **Jun. 12, 2008**

(30) **Foreign Application Priority Data**

Dec. 26, 2007 (JP) ..... 2007-035741

(51) **LOC (9) Cl.** ..... **22-05**

(52) **U.S. Cl.** ..... **D22/137**

(58) **Field of Classification Search** ..... D22/137–138,  
D22/140–141; 242/310, 118.3, 118.4, 311,  
242/322, 323

See application file for complete search history.

(56) **References Cited**

U.S. PATENT DOCUMENTS

D421,479 S \* 3/2000 Yamaguchi ..... D22/137  
D428,106 S \* 7/2000 Yamaguchi ..... D22/137  
D448,444 S \* 9/2001 Kondo et al. .... D22/137  
D472,603 S \* 4/2003 Shepler et al. .... D22/137

\* cited by examiner

*Primary Examiner*—Catherine R Oliver

(74) *Attorney, Agent, or Firm*—Global IP Counselors, LLP

(57) **CLAIM**

The ornamental design for a fishing reel portion, as shown and described.

**DESCRIPTION**

FIG. 1 is a front perspective view of a fishing reel portion in accordance with my new design;

FIG. 2 is a side elevational view of a fishing reel portion of FIG. 1;

FIG. 3 is a cross sectional view of the fishing reel portion of FIGS. 1 and 2 as seen along sectional line 3—3 of FIG. 2;

FIG. 4 is a cross sectional view of the fishing reel portion of FIGS. 1 to 3 as seen along sectional line 4—4 of FIG. 2;

FIG. 5 is a top front end perspective view of the fishing reel portion of FIGS. 1 to 4 as used in a fishing reel;

FIG. 6 is a bottom rear end perspective view of the fishing reel portion of FIGS. 1 to 4 as used in a fishing reel;

FIG. 7 is a first side elevational view of the fishing reel portion of FIGS. 1 to 4 as used in a fishing reel;

FIG. 8 is a second side elevational view of the fishing reel portion of FIGS. 1 to 4 as used in a fishing reel;

FIG. 9 is a top plan view of the fishing reel portion of FIGS. 1 to 4 as used in a fishing reel;

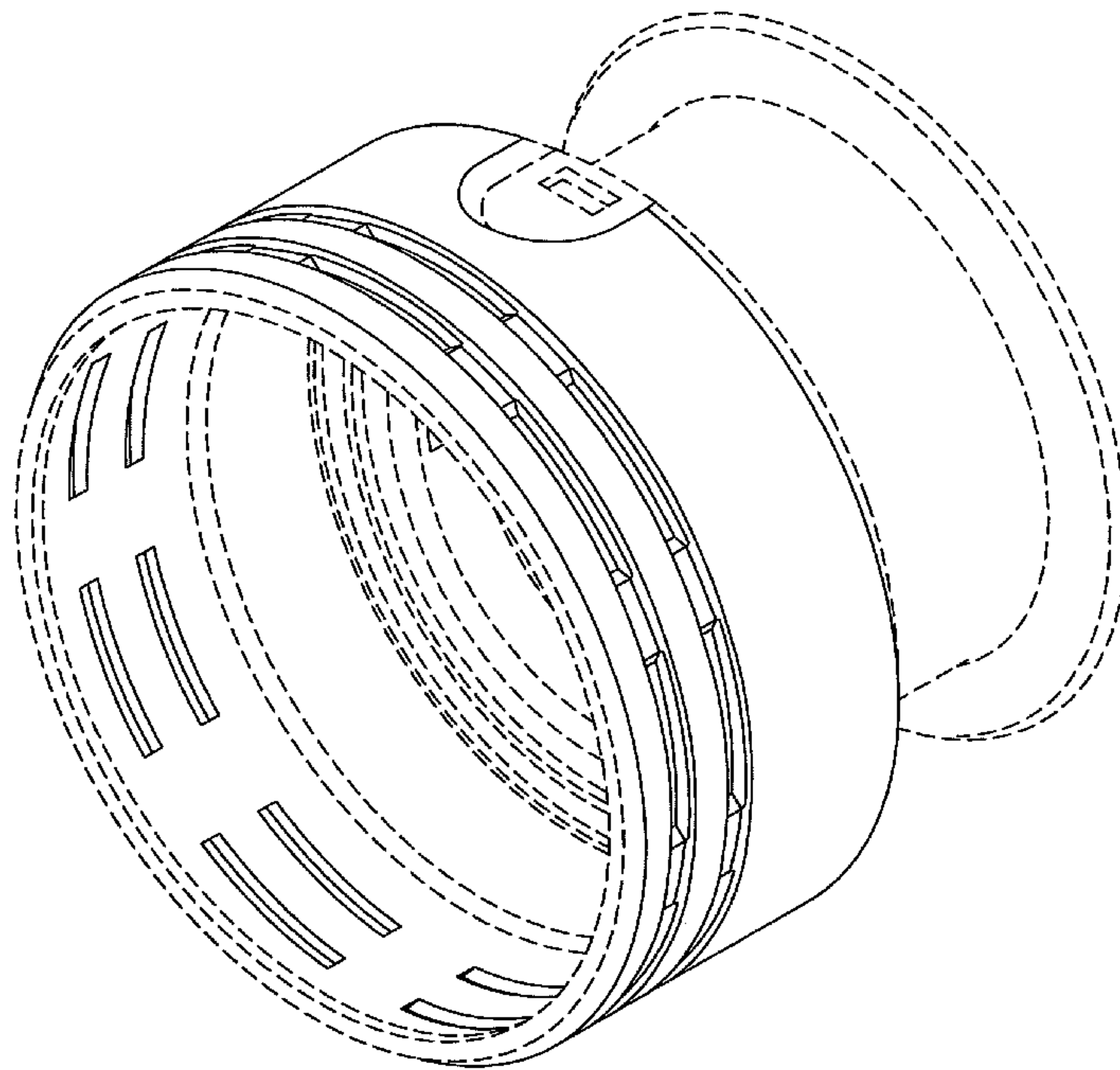
FIG. 10 is a bottom plan view of the fishing reel portion of FIGS. 1 to 4 as used in a fishing reel;

FIG. 11 is a front end elevational view of the fishing reel portion of FIGS. 1 to 4 as used in a fishing reel; and,

FIG. 12 is a rear end elevational view of the fishing reel portion of FIGS. 1 to 4 as used in a fishing reel.

The broken line showing of the environment (the remaining structure of the fishing reel portion) in the Figures is for illustrative purposes only and forms no part of the claimed design. The cross sectional views are provided to better understand the claimed design and do not depict color or material of the claimed design.

**1 Claim, 7 Drawing Sheets**



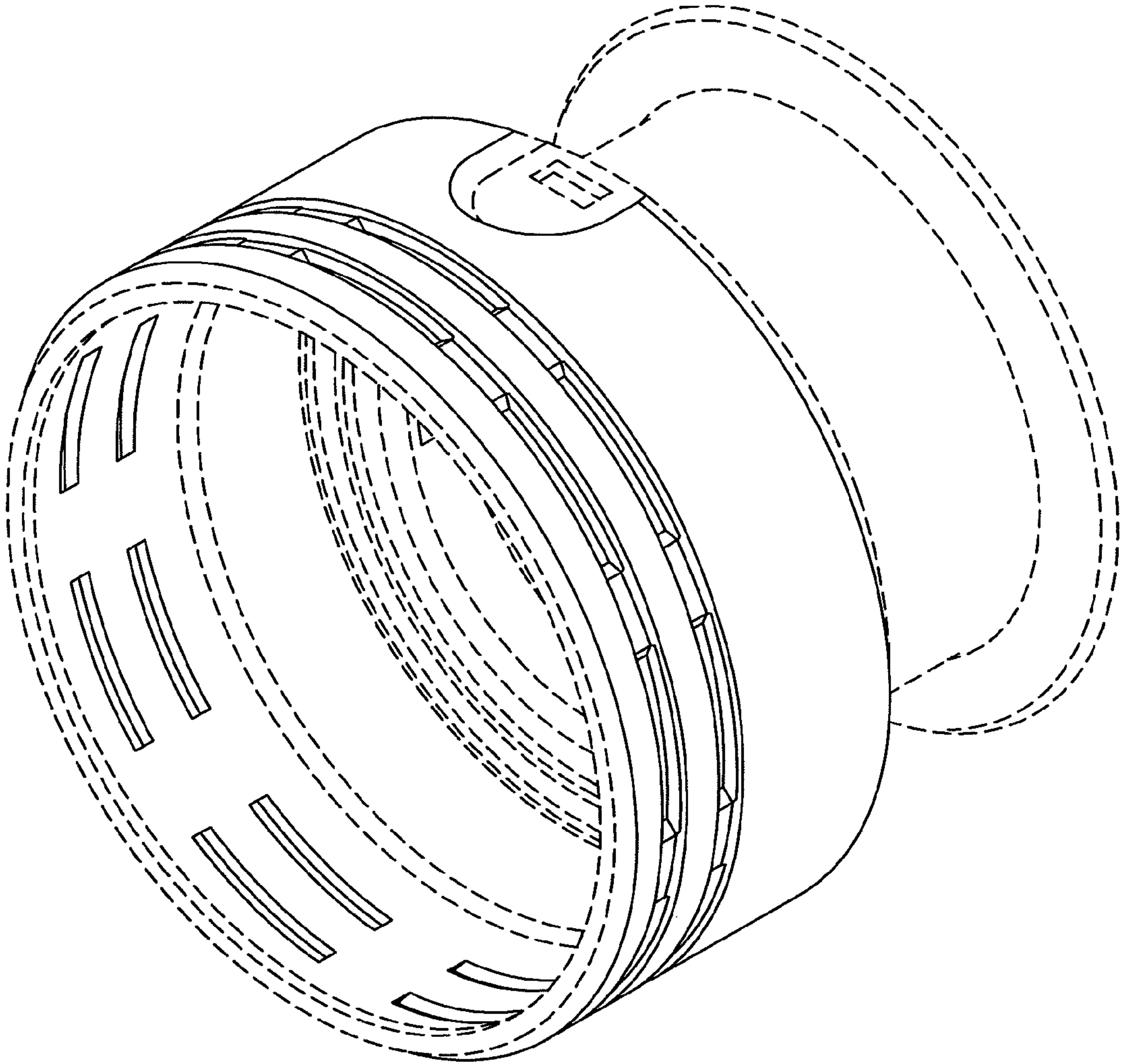


FIG. 1

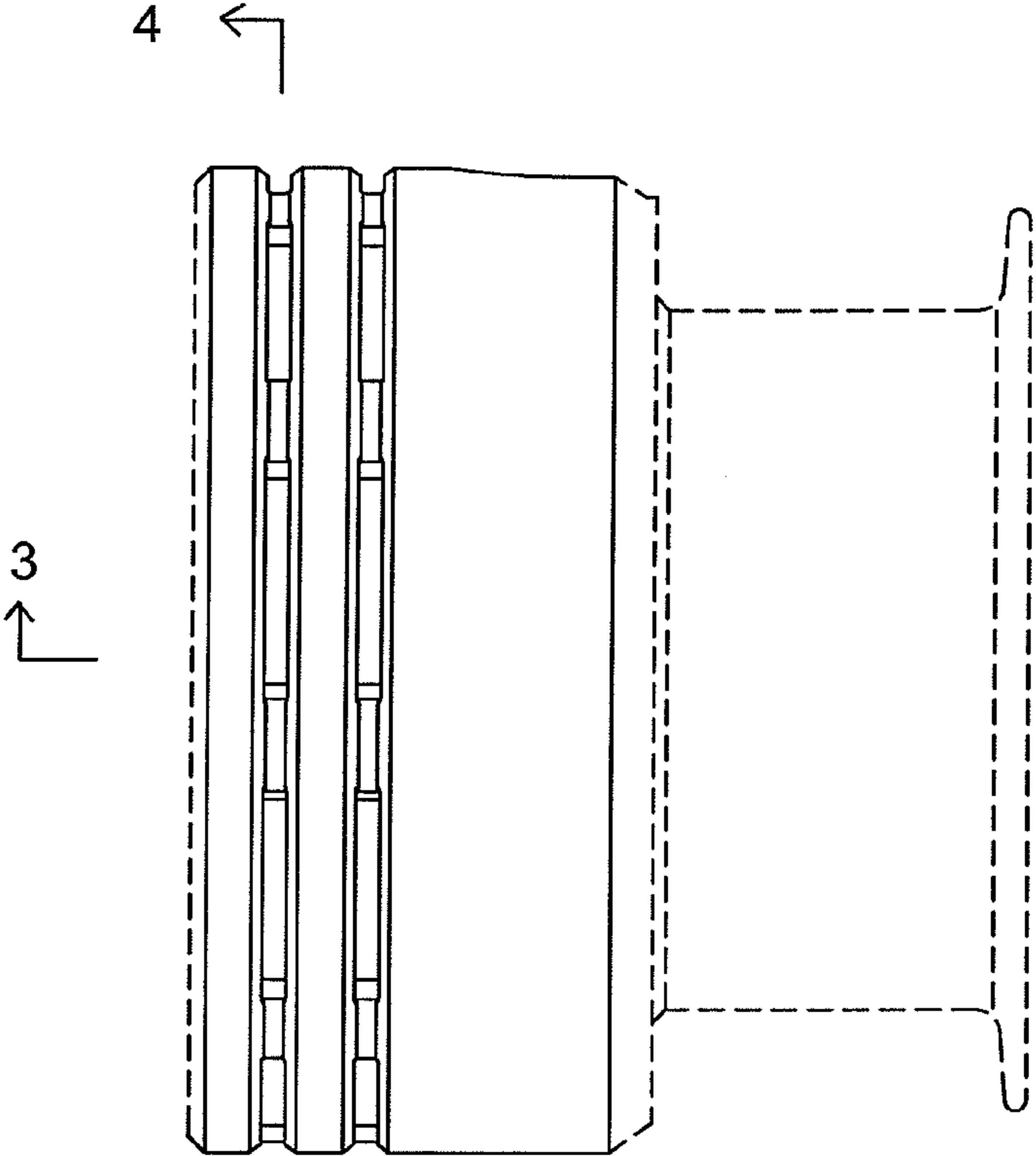


FIG. 2

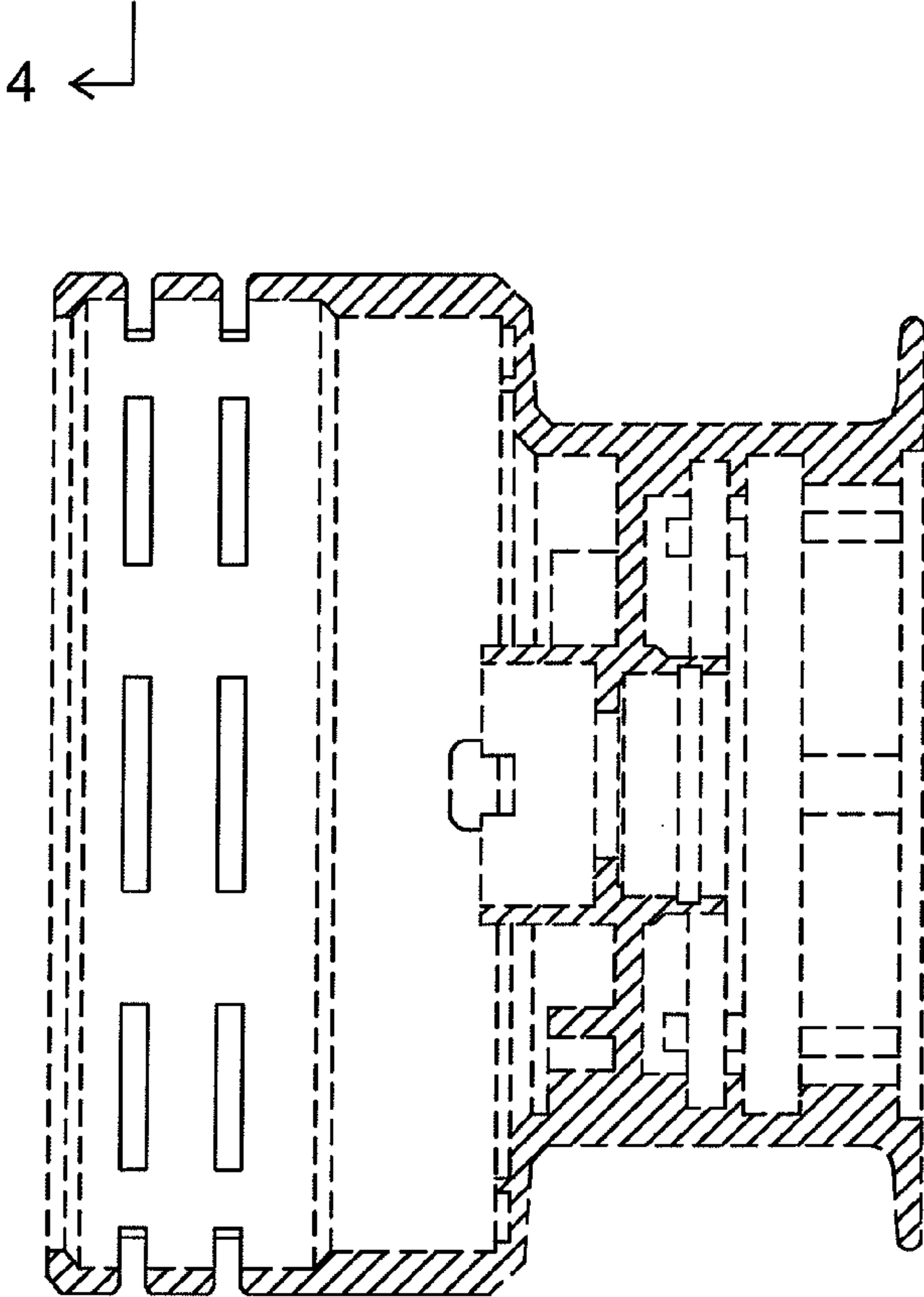


FIG. 3

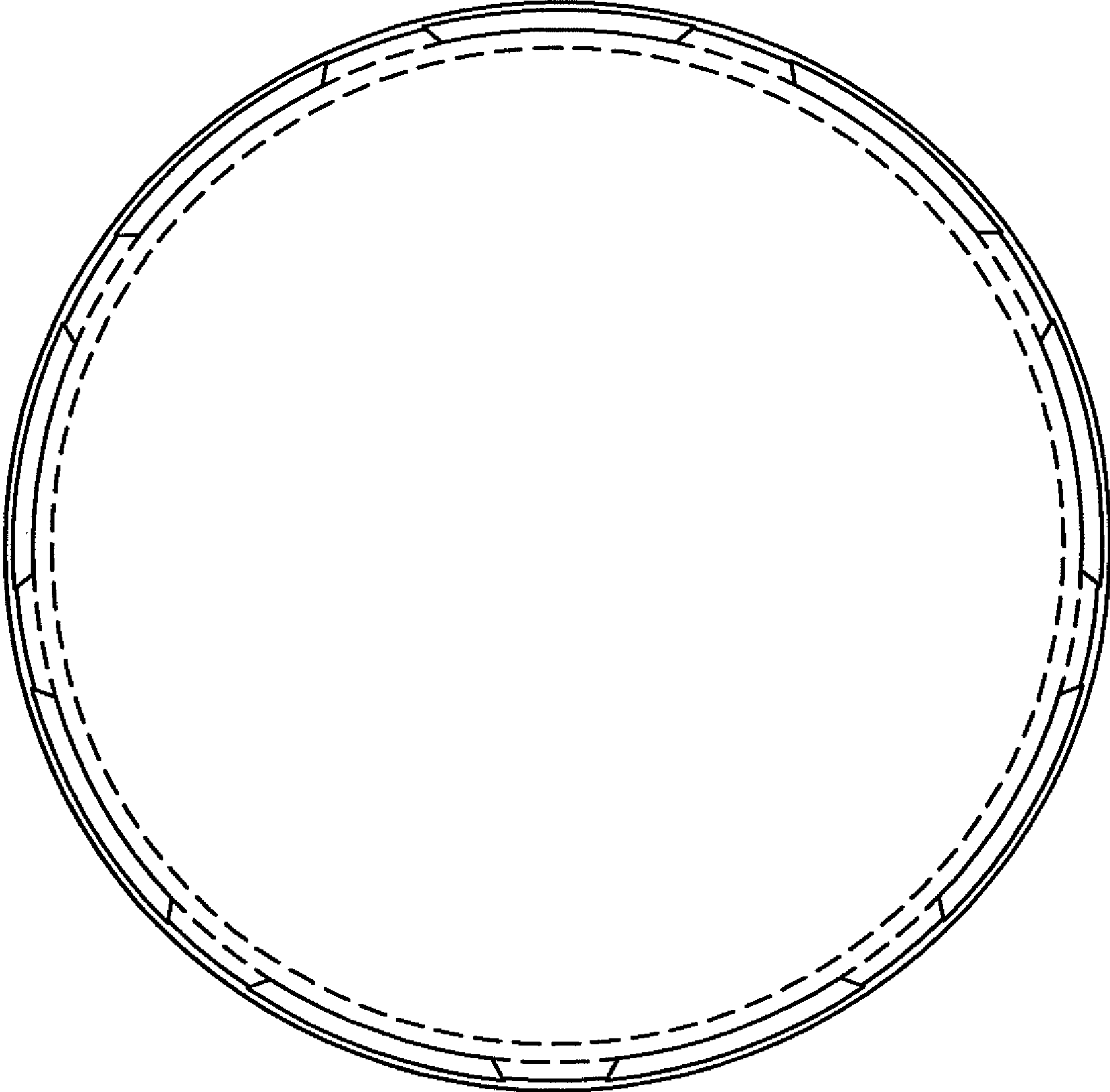


FIG. 4



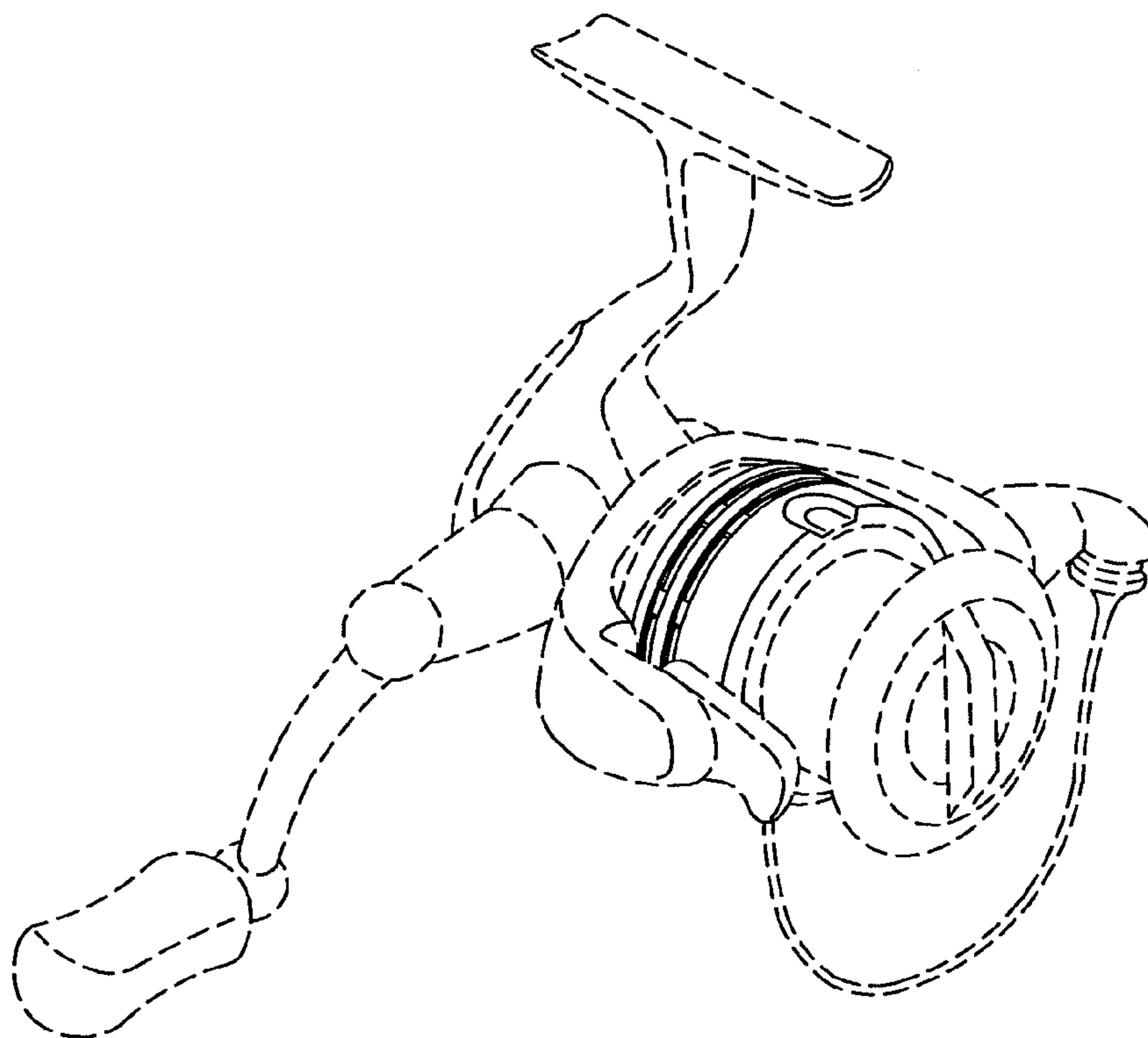


FIG. 5

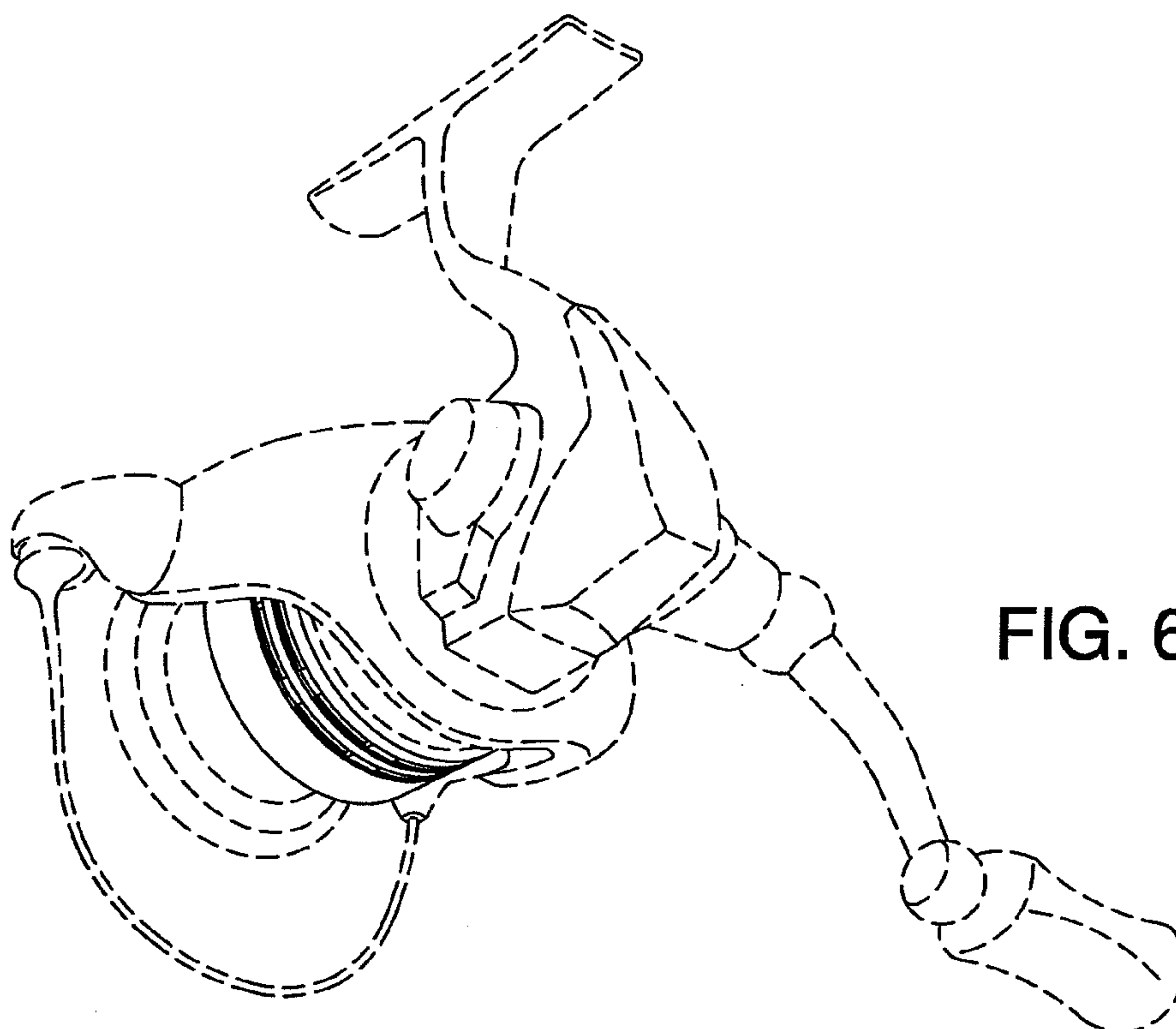


FIG. 6

FIG. 7

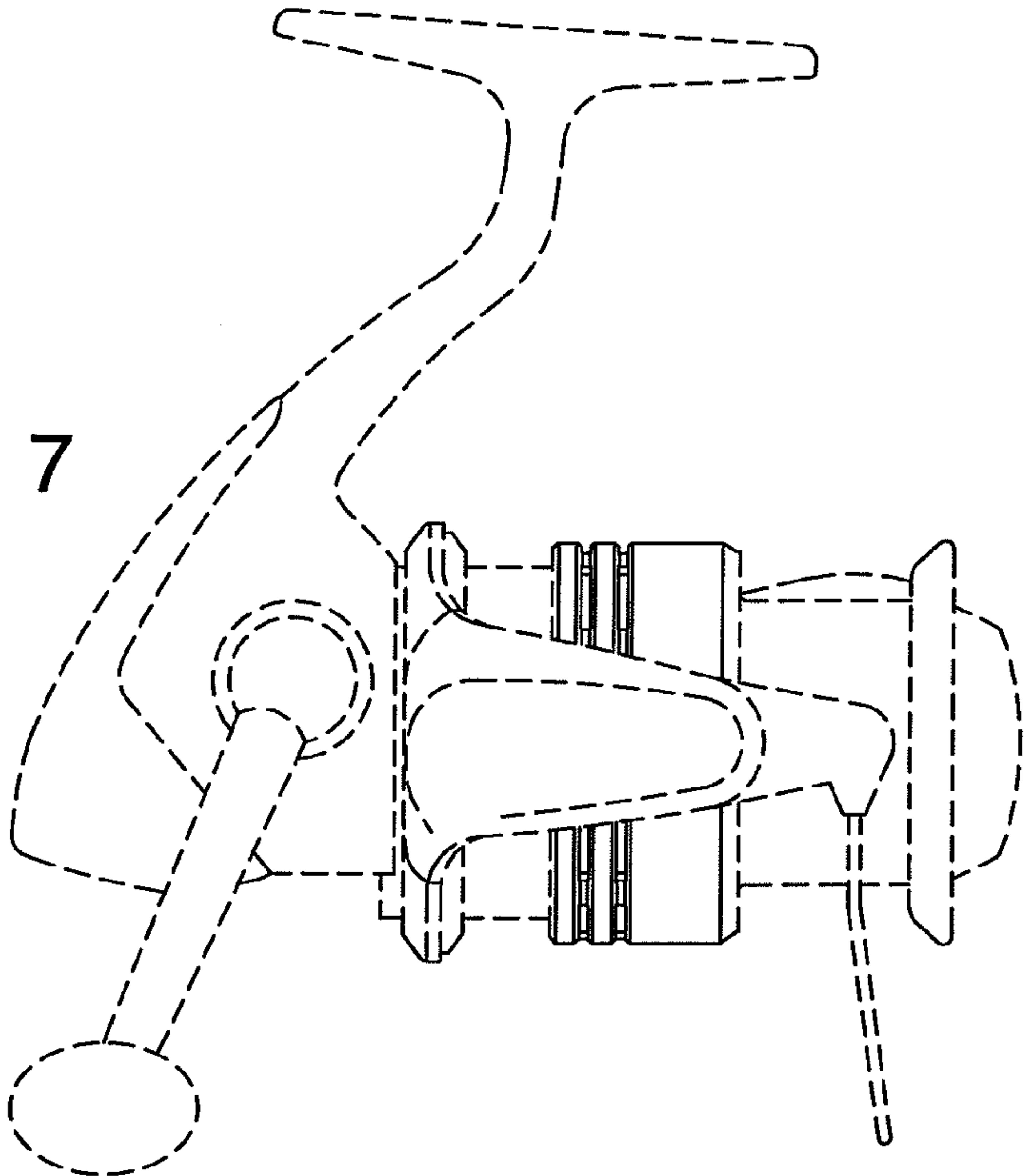
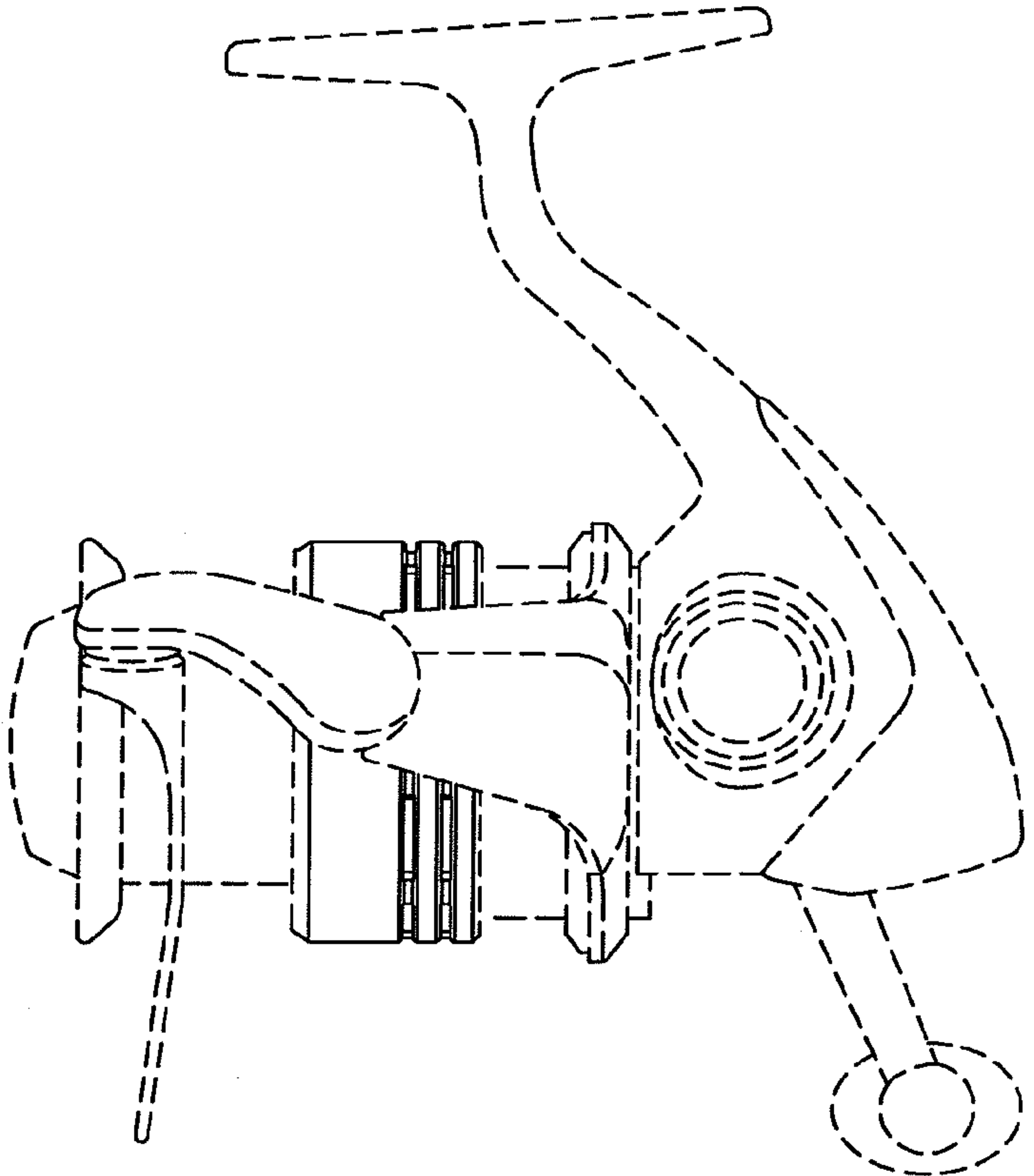


FIG. 8



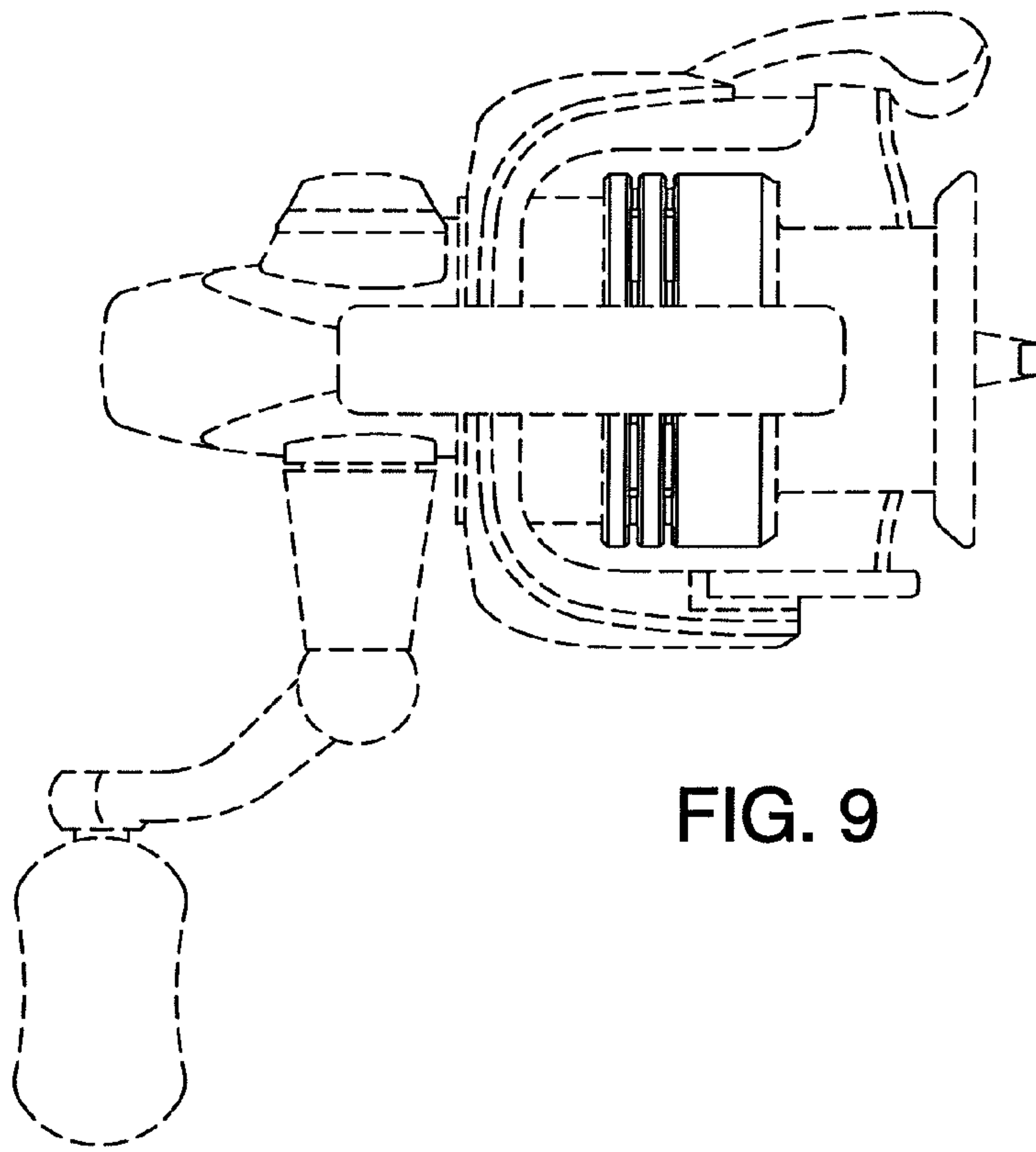


FIG. 9

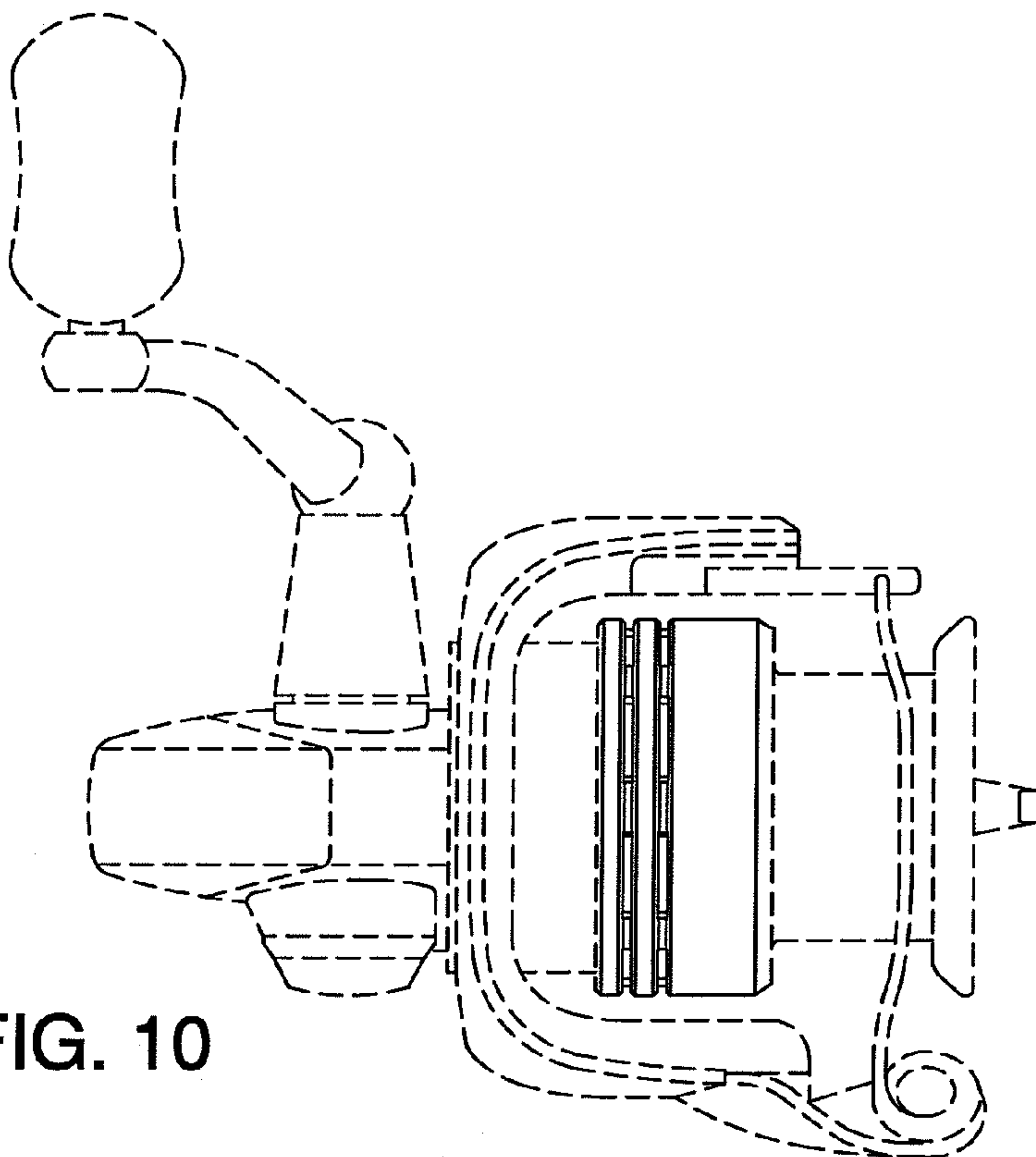


FIG. 10

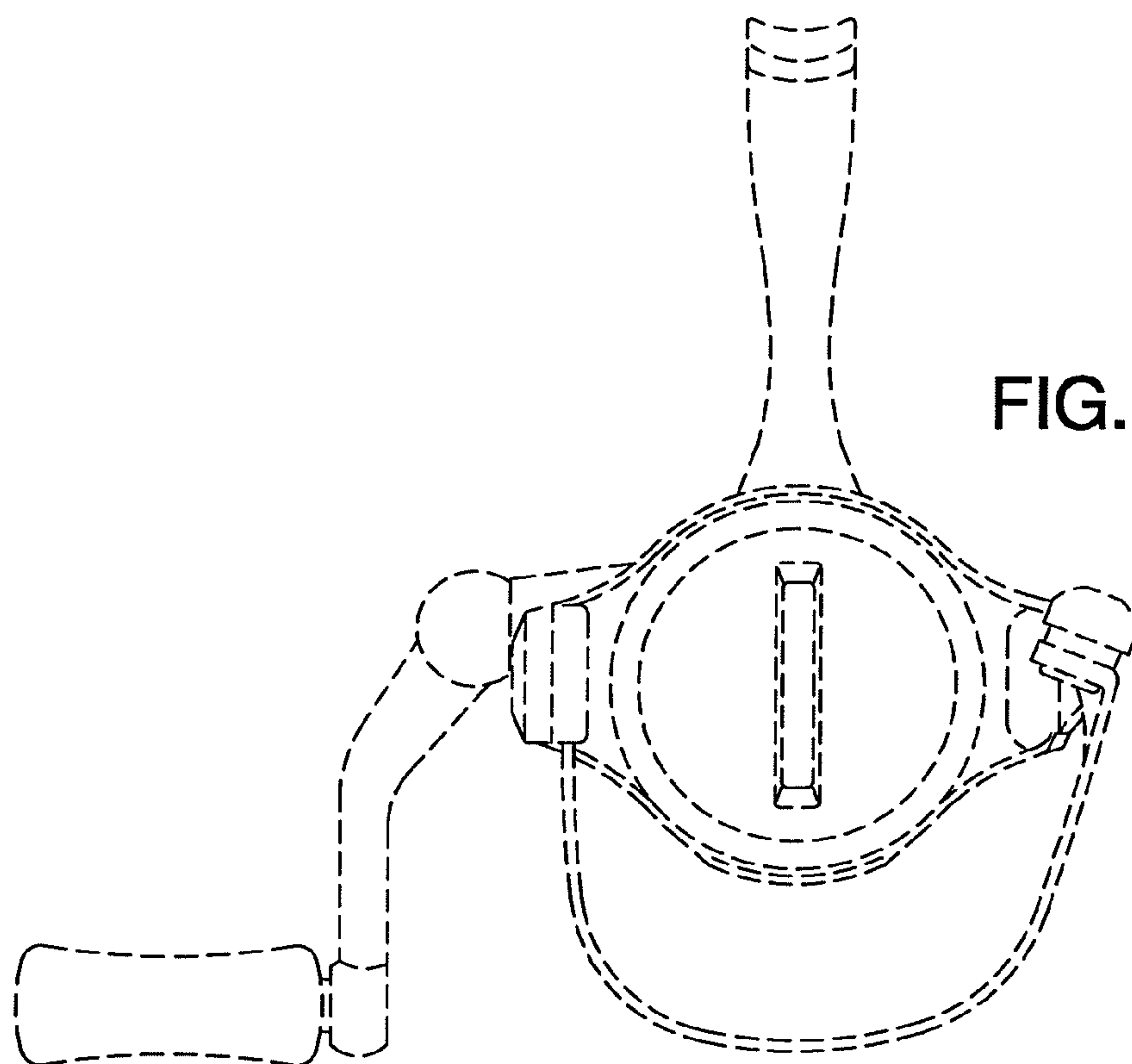


FIG. 11

FIG. 12

