



US00D585097S

(12) **United States Design Patent**
Dochterman et al.

(10) **Patent No.:** **US D585,097 S**
(45) **Date of Patent:** **** Jan. 20, 2009**

(54) **EXTENDING HANDLE AND DENTILE TOP AND BOTTOM BODIED PAINTBALL MARKER**

7,185,646 B2 * 3/2007 Jones 124/74
D559,335 S * 1/2008 Orr D21/573
2003/0178018 A1 * 9/2003 Cherry 124/76

(76) Inventors: **Rick Dochterman**, #1 Witney La., Bella Vista, AR (US) 72714; **Don Walker, II**, 207 Wisconsin Ave., Muscle Shoals, AL (US) 35661; **Nathan Greenman**, 14 Kintyre Cir., Bella Vista, AR (US) 72715

* cited by examiner

Primary Examiner—Holly H Baynham
Assistant Examiner—Cynthia M Chin
(74) *Attorney, Agent, or Firm*—Keisling Pieper & Scott PLC; David B. Pieper; Trent C. Keisling

(**) Term: **14 Years**

(57) **CLAIM**

(21) Appl. No.: **29/289,591**

The ornamental design for an extending handle and dentile top and bottom bodied paintball marker, as shown and described.

(22) Filed: **Jul. 25, 2007**

(51) **LOC (9) Cl.** **21-01**

(52) **U.S. Cl.** **D21/573**

(58) **Field of Classification Search** D21/567, D21/570, 573, 574; D22/100, 101, 103, D22/104, 105, 108, 109; 124/41.1, 45, 49, 124/51.1, 55, 56, 69, 70-74, 79; 42/54

DESCRIPTION

See application file for complete search history.

FIG. 1 is a perspective view of an extending handle and dentile top and bottom bodied paintball marker showing my new design;

FIG. 2 is a top plan view thereof;

FIG. 3 is a back elevational view thereof;

FIG. 4 is a right side elevational view thereof; and,

FIG. 5 is a front elevational view thereof;

FIG. 6 is a left side elevational view thereof; and,

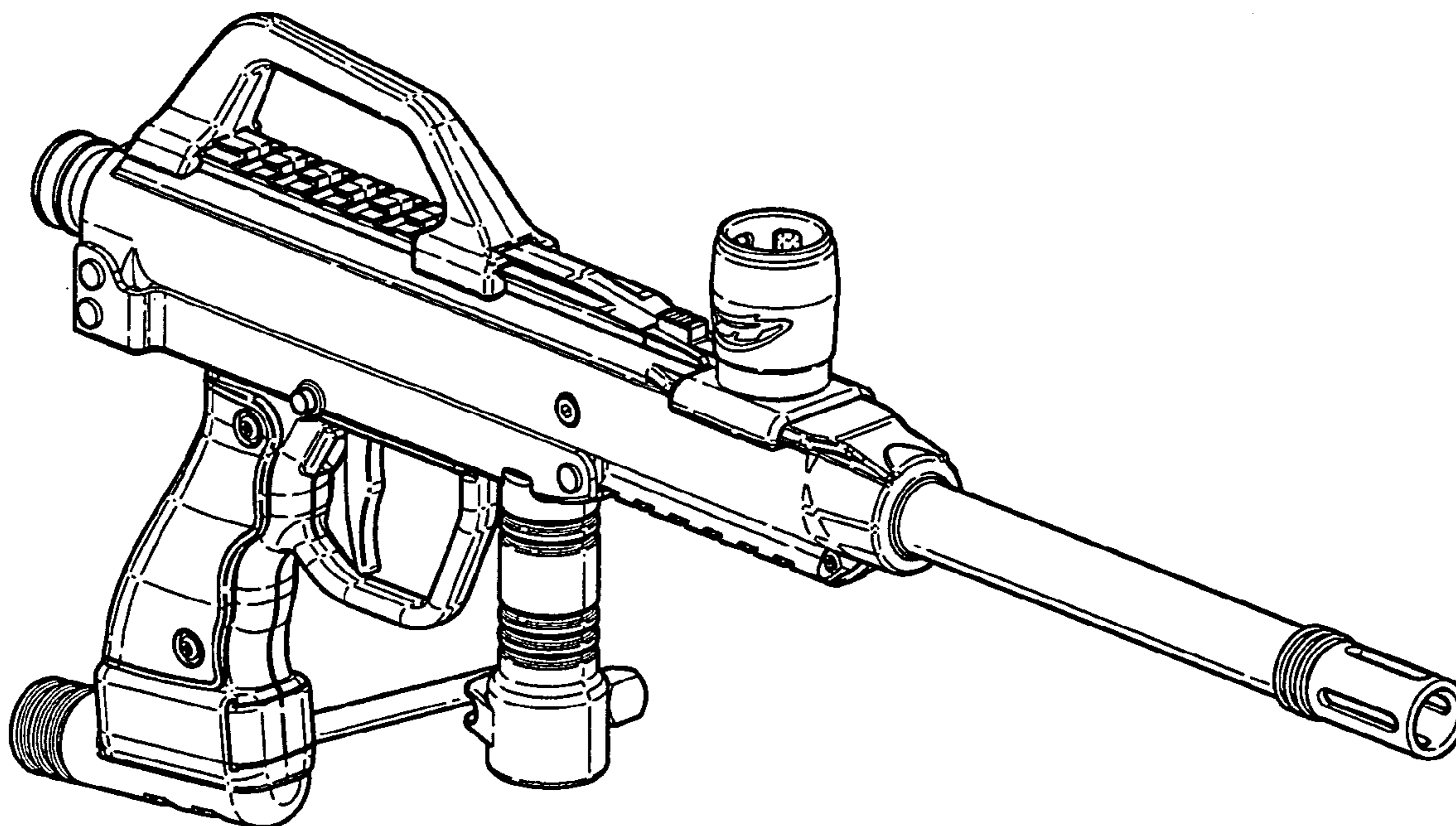
FIG. 7 is a bottom plan view thereof.

(56) **References Cited**

U.S. PATENT DOCUMENTS

D482,081 S * 11/2003 Chang D21/573
D482,082 S * 11/2003 Chang D21/573
D482,743 S * 11/2003 Chang D21/573
D513,773 S * 1/2006 Orr D21/573

1 Claim, 7 Drawing Sheets



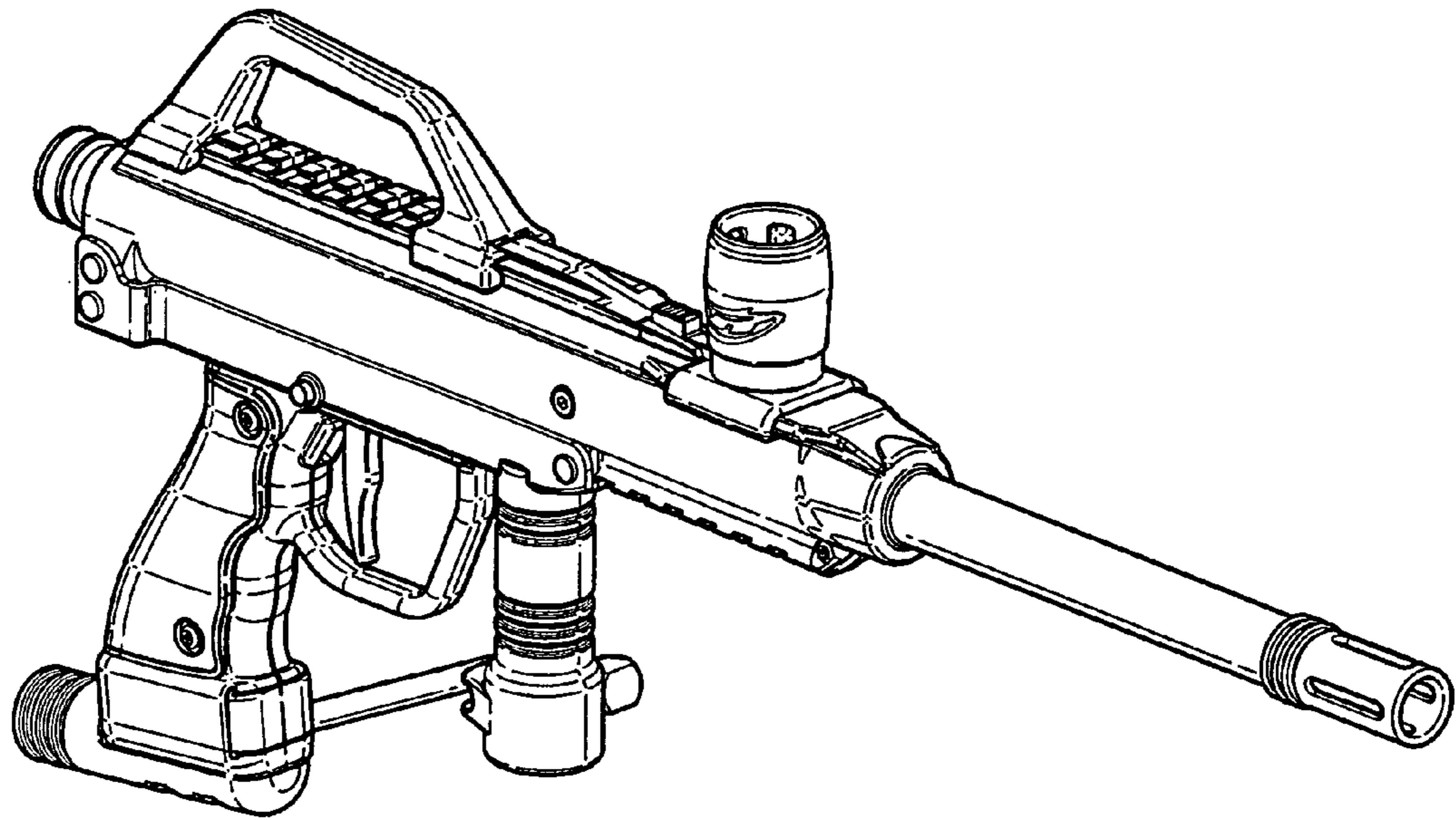


FIG. 1

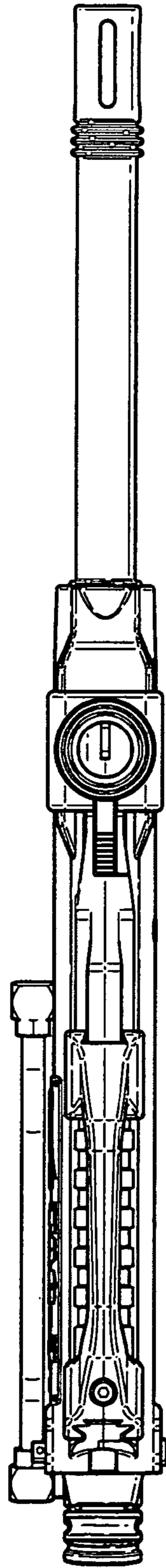


FIG. 2

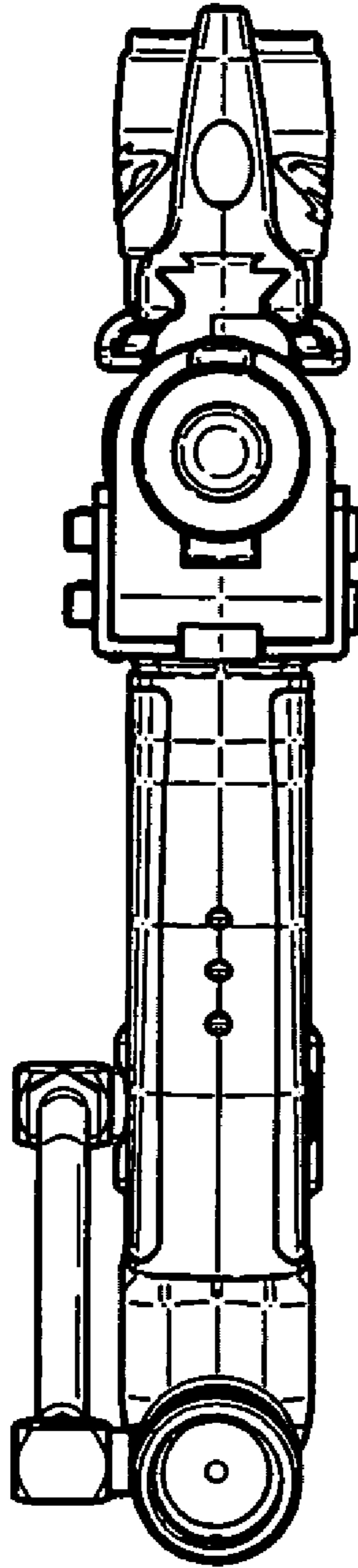


FIG. 3

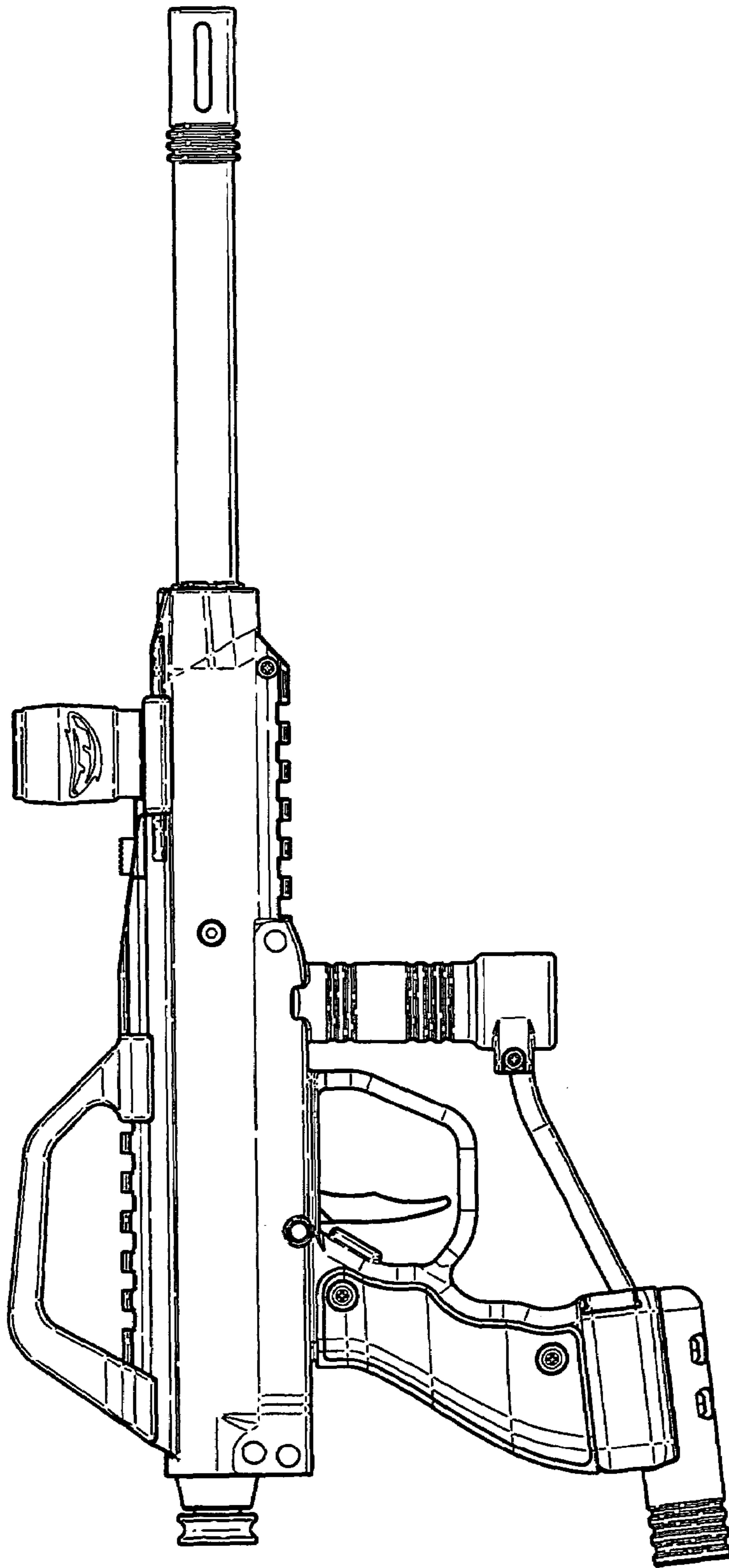


FIG. 4

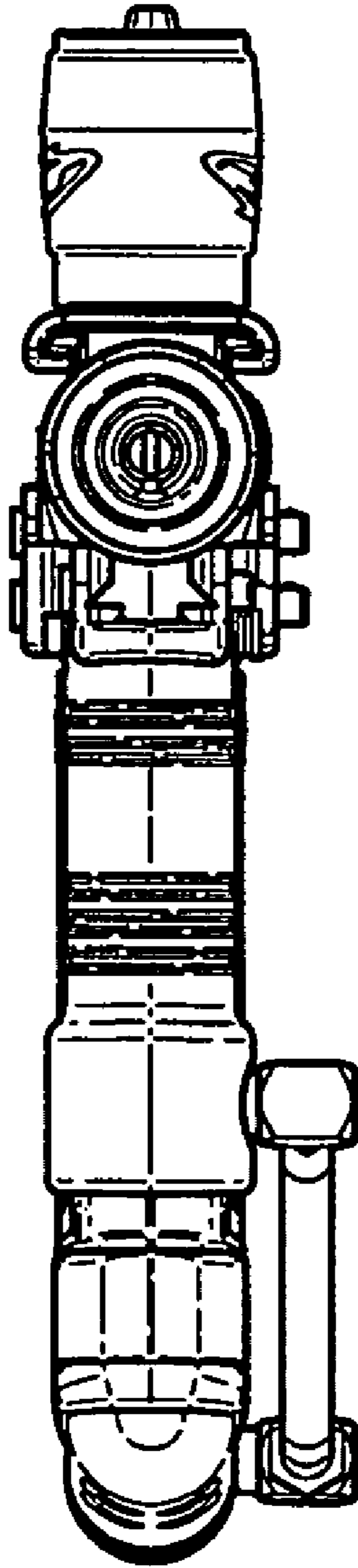


FIG. 5

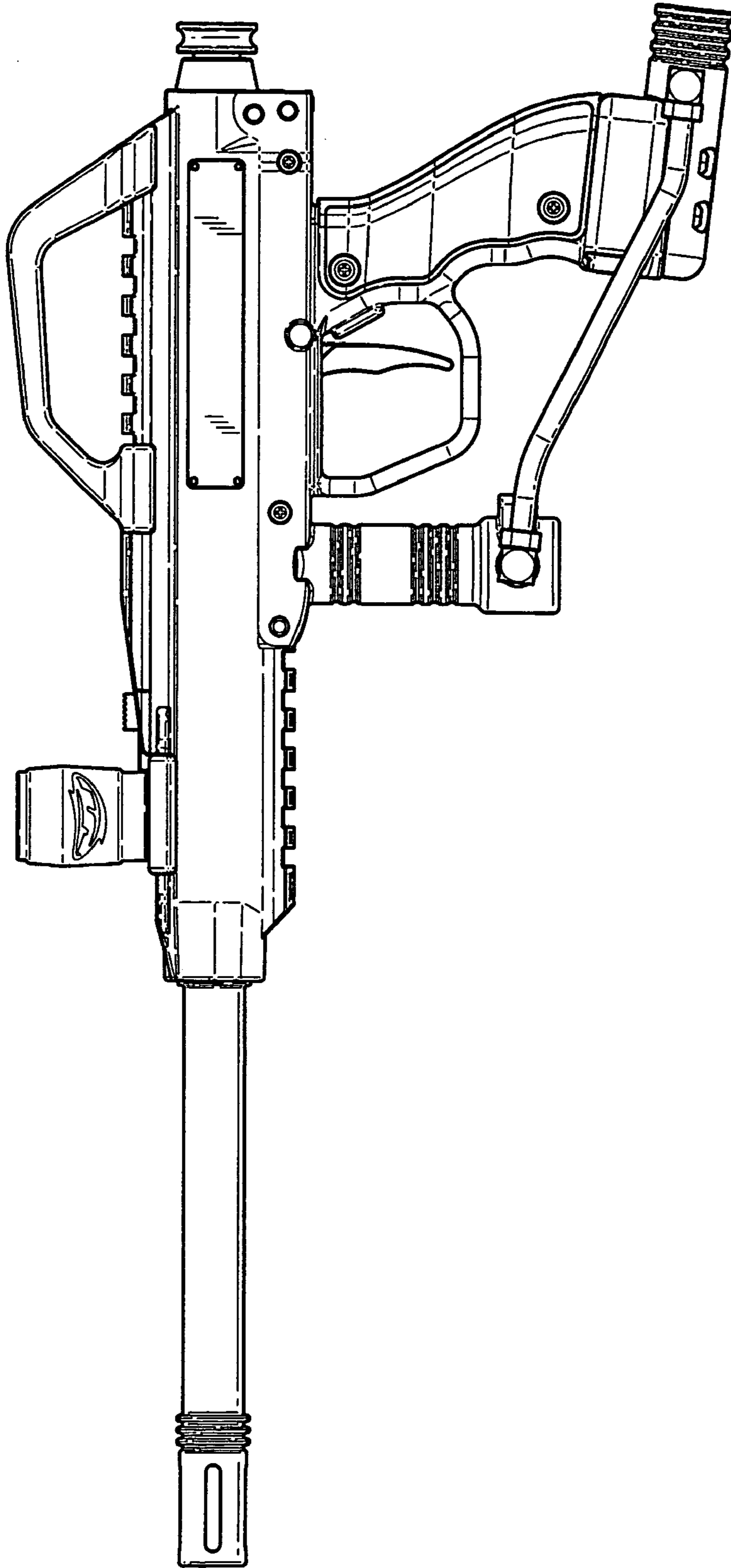


FIG. 6

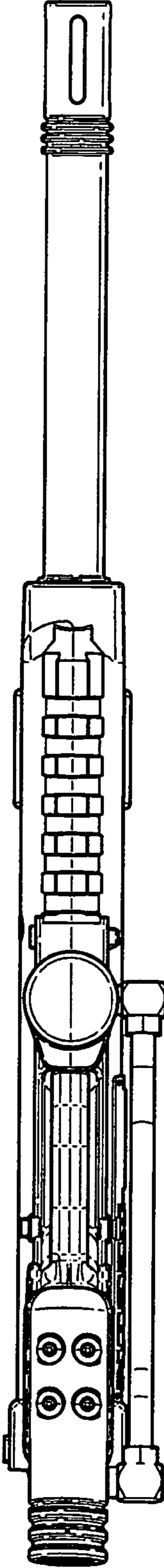


FIG. 7