



US00D585094S

(12) **United States Design Patent**
Smith

(10) **Patent No.:** **US D585,094 S**
(45) **Date of Patent:** **** Jan. 20, 2009**

(54) **SORTER**

(75) Inventor: **Aaron W. Smith**, Plainfield, IL (US)

(73) Assignee: **Sanford, L.P.**, Oak Brook, IL (US)

(**) Term: **14 Years**

(21) Appl. No.: **29/284,670**

(22) Filed: **Sep. 12, 2007**

(51) **LOC (9) Cl.** **19-02**

(52) **U.S. Cl.** **D19/90**

(58) **Field of Classification Search** D6/449,
D6/458, 462, 463, 466, 467, 629, 630; D19/75-78,
D19/86, 90-92; 206/215, 425; 211/10, 11,
211/45, 50, 52, 207, 181.1; 248/153, 175,
248/465.1

See application file for complete search history.

(56) **References Cited**

U.S. PATENT DOCUMENTS

807,084	A *	12/1905	Muller	211/11
1,456,446	A *	5/1923	Hotaling	211/50
1,692,231	A *	11/1928	Thompson	220/550
1,764,128	A *	6/1930	Straubel	211/11
2,581,730	A	1/1952	Talmage et al.		
2,956,685	A *	10/1960	Levi	211/40
3,144,942	A *	8/1964	Peebles	211/11
3,176,849	A *	4/1965	Peebles	211/50
3,554,381	A	1/1971	Guest et al.		
4,087,926	A *	5/1978	Breslau et al.	34/70
4,410,093	A *	10/1983	Chiariello et al.	211/11
4,512,480	A	4/1985	Evenson		
4,593,822	A *	6/1986	Yeane et al.	211/41.8
4,682,697	A *	7/1987	Cohen	211/45
D353,158	S *	12/1994	Evenson	D19/90
D364,074	S *	11/1995	Yeh	D7/637
6,065,610	A	5/2000	Elmore		
D502,220	S *	2/2005	Stravitz	D19/90

7,086,538 B2 8/2006 Stravitz
D534,374 S * 1/2007 Wright D6/465
D538,106 S * 3/2007 Julian D7/409

OTHER PUBLICATIONS

Rodgers Wire Sort-a-file™. On sale more than a year prior to Sep. 12, 2007.

Deflecto Document Browser® (2 sheets). On sale more than a year prior to Sep. 12, 2007.

MMF Industries Wire Sorter. Believed to have been on sale for more than one year prior to Sep. 12, 2007.

* cited by examiner

Primary Examiner—Elizabeth A Albert

(74) *Attorney, Agent, or Firm*—Marshall, Gerstein & Borun LLP

(57) **CLAIM**

The ornamental design for a sorter, as shown and described.

DESCRIPTION

FIG. 1 is a perspective view showing my new design for a sorter;

FIG. 2 is a side view of the sorter of FIG. 1, the opposite side view being a mirror image thereof;

FIG. 3 is an end view of the sorter of FIG. 1; the opposite end view being a mirror image thereof;

FIG. 4 is a top plan view of the sorter of FIG. 1;

FIG. 5 is a second side view of the sorter of FIG. 1 with the dividers in an alternate position; and,

FIG. 6 is a third side view of the sorter of FIG. 1 with the dividers in an alternate position.

The broken lines showing grooves in the sides in FIGS. 1, 2, 5, and 6 are included for environmental purposes only and form no part of the claimed design.

1 Claim, 3 Drawing Sheets

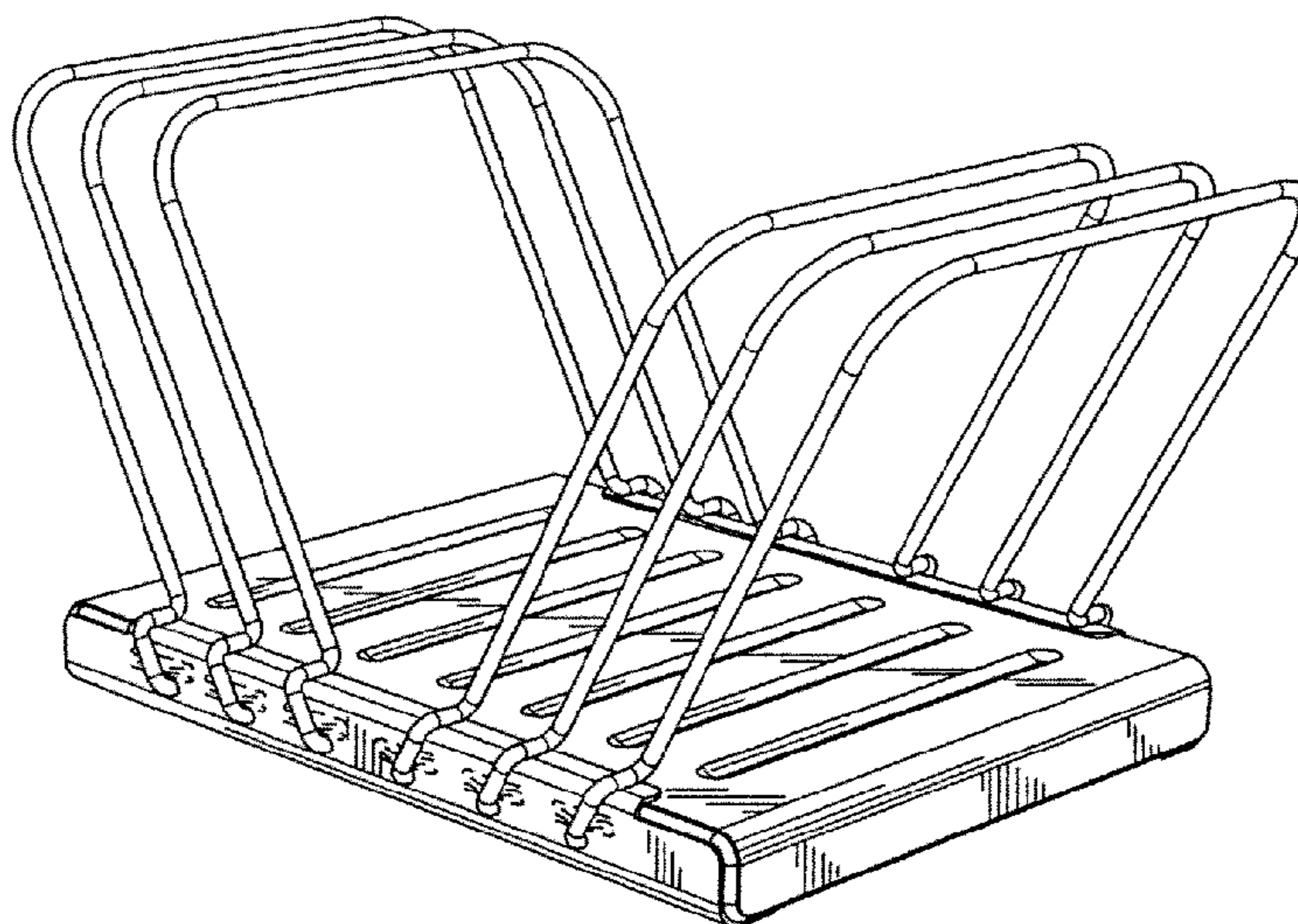


Fig. 1

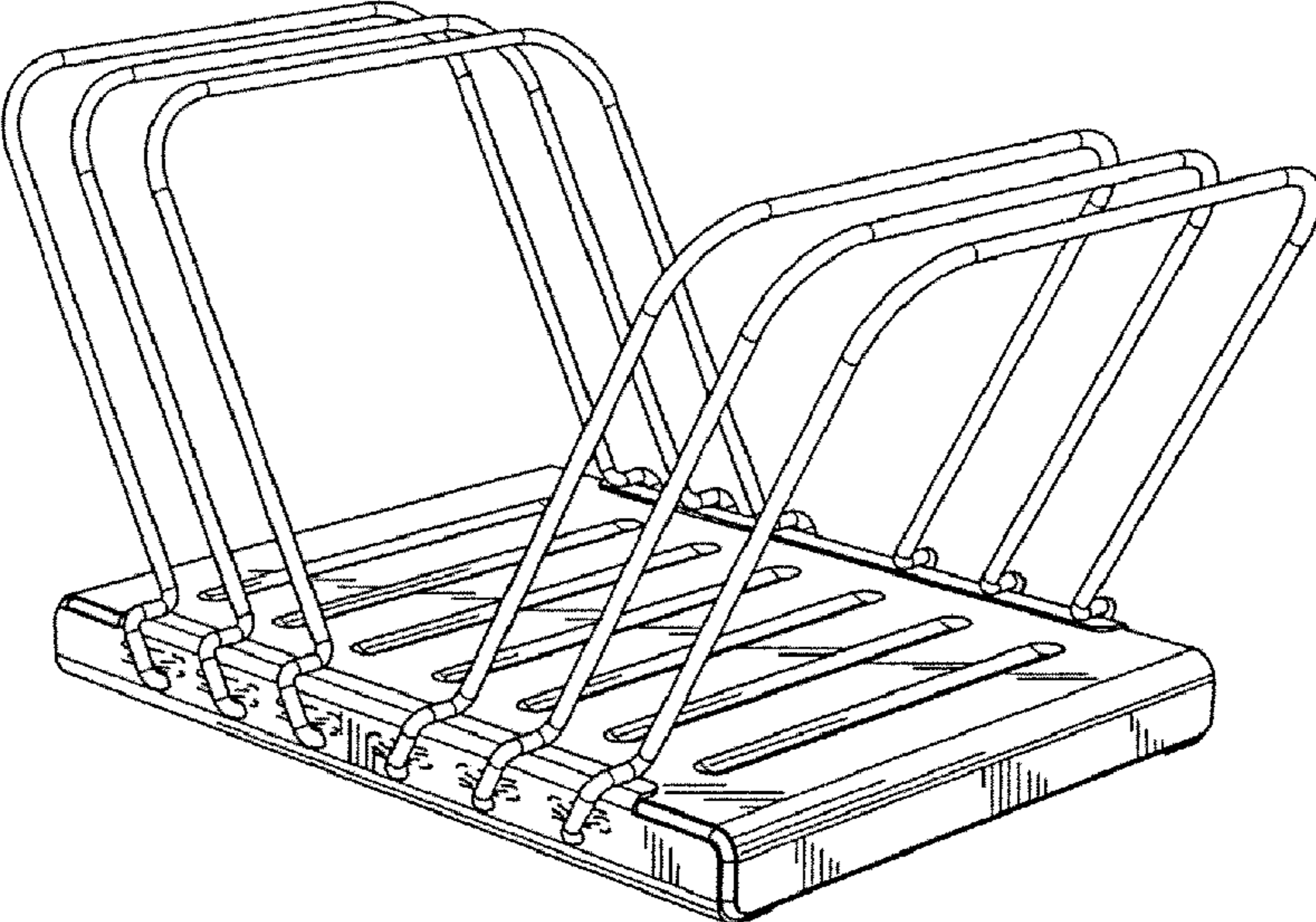


Fig. 2

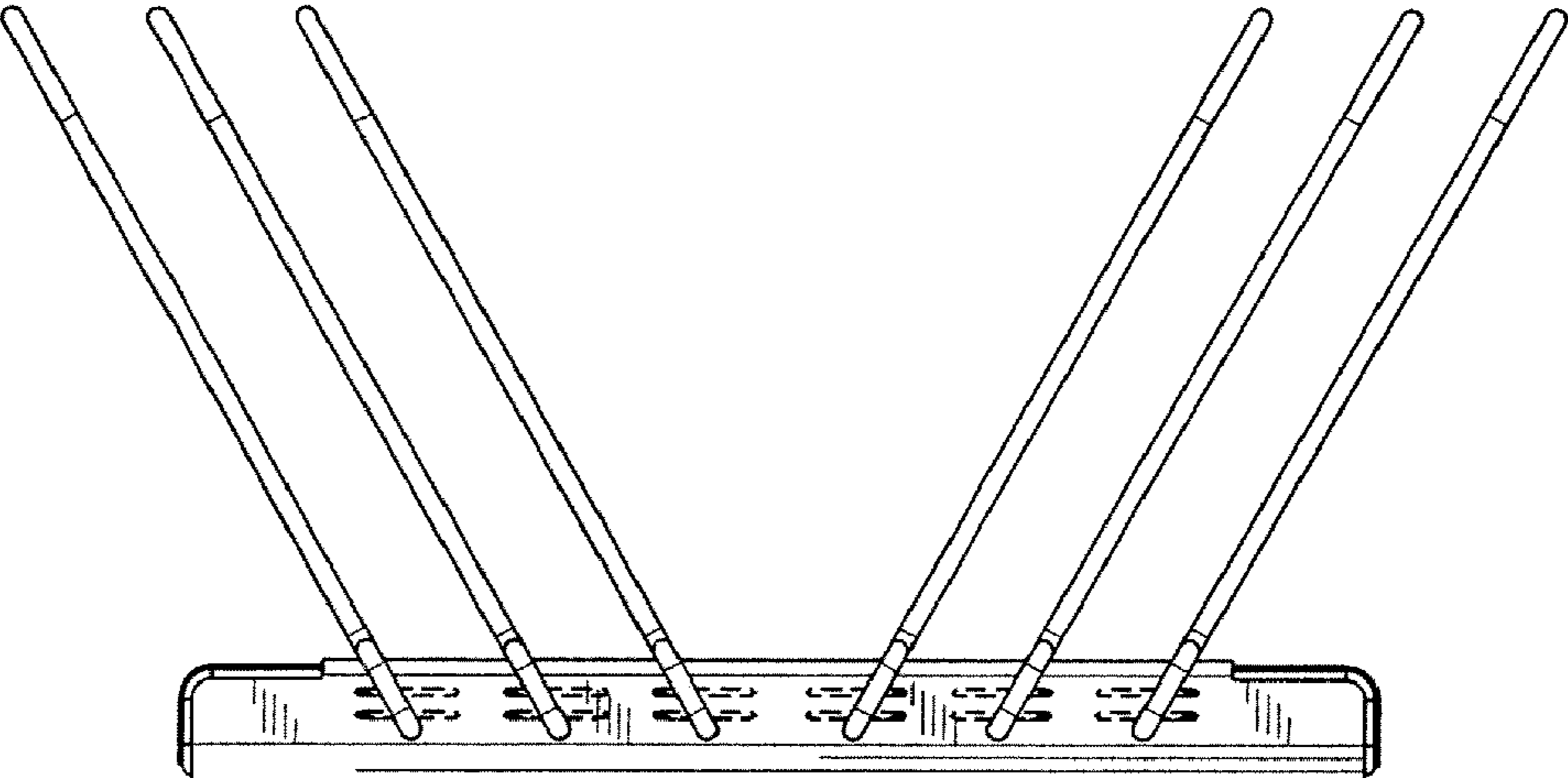


Fig. 3

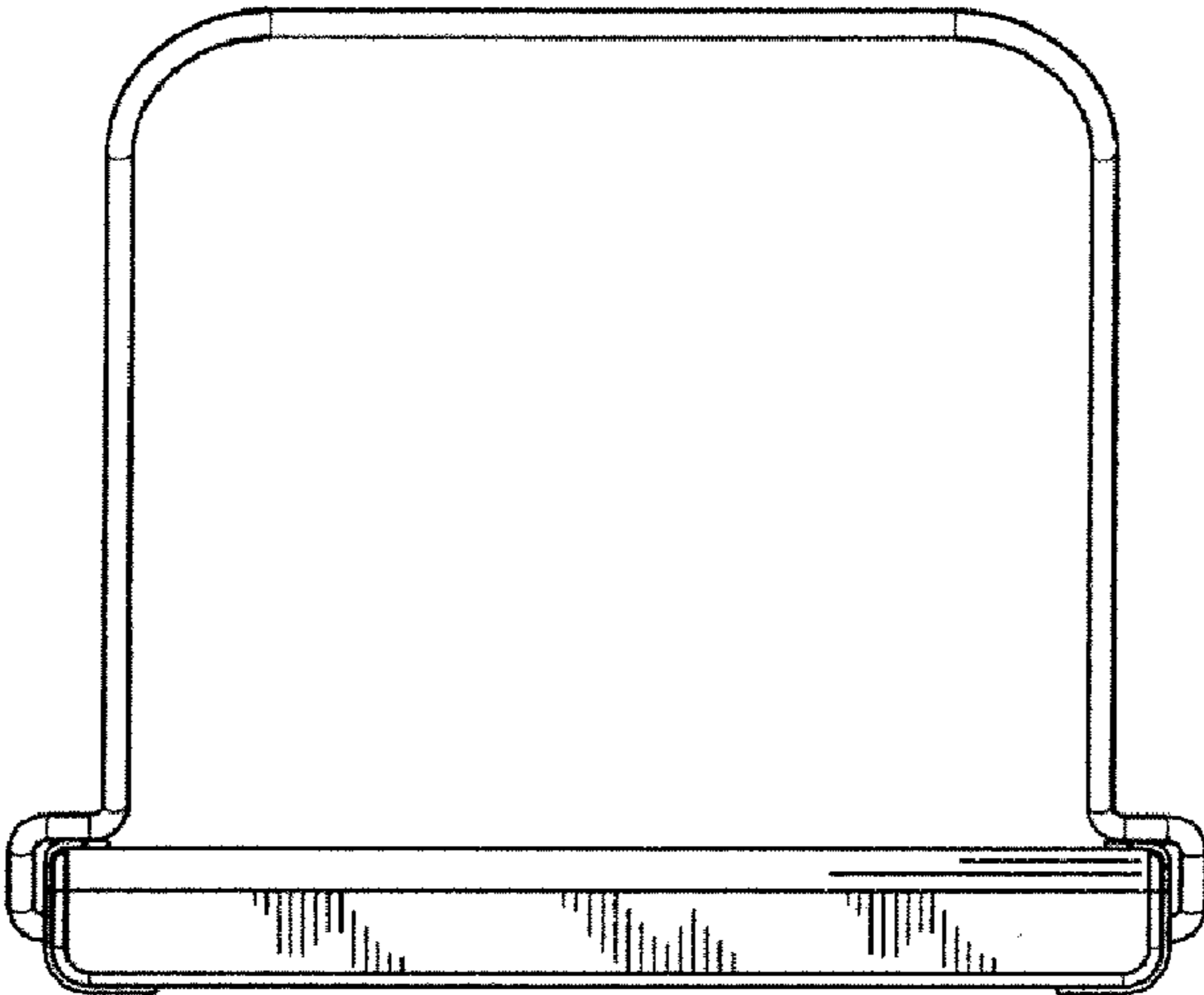


Fig. 4

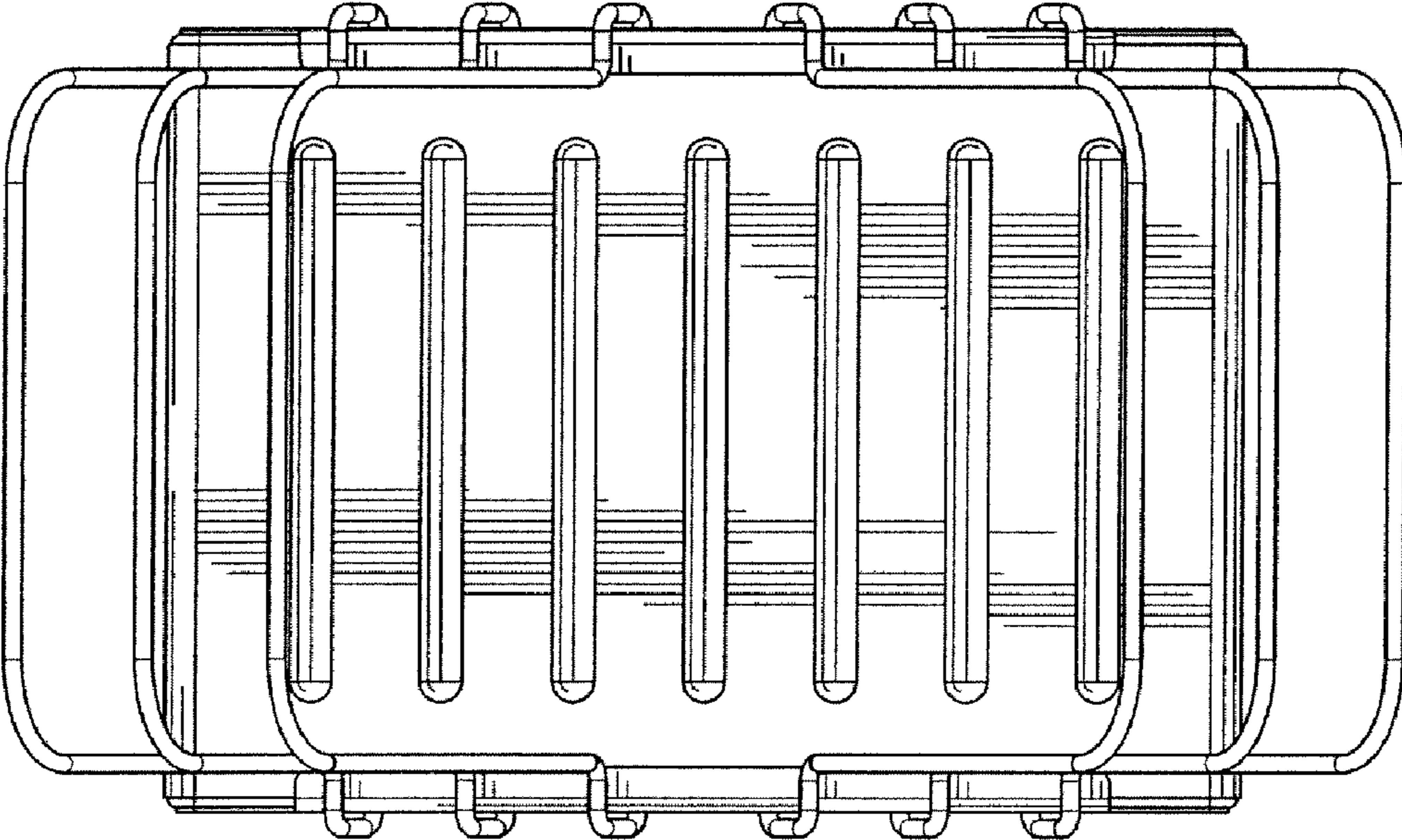


Fig. 5

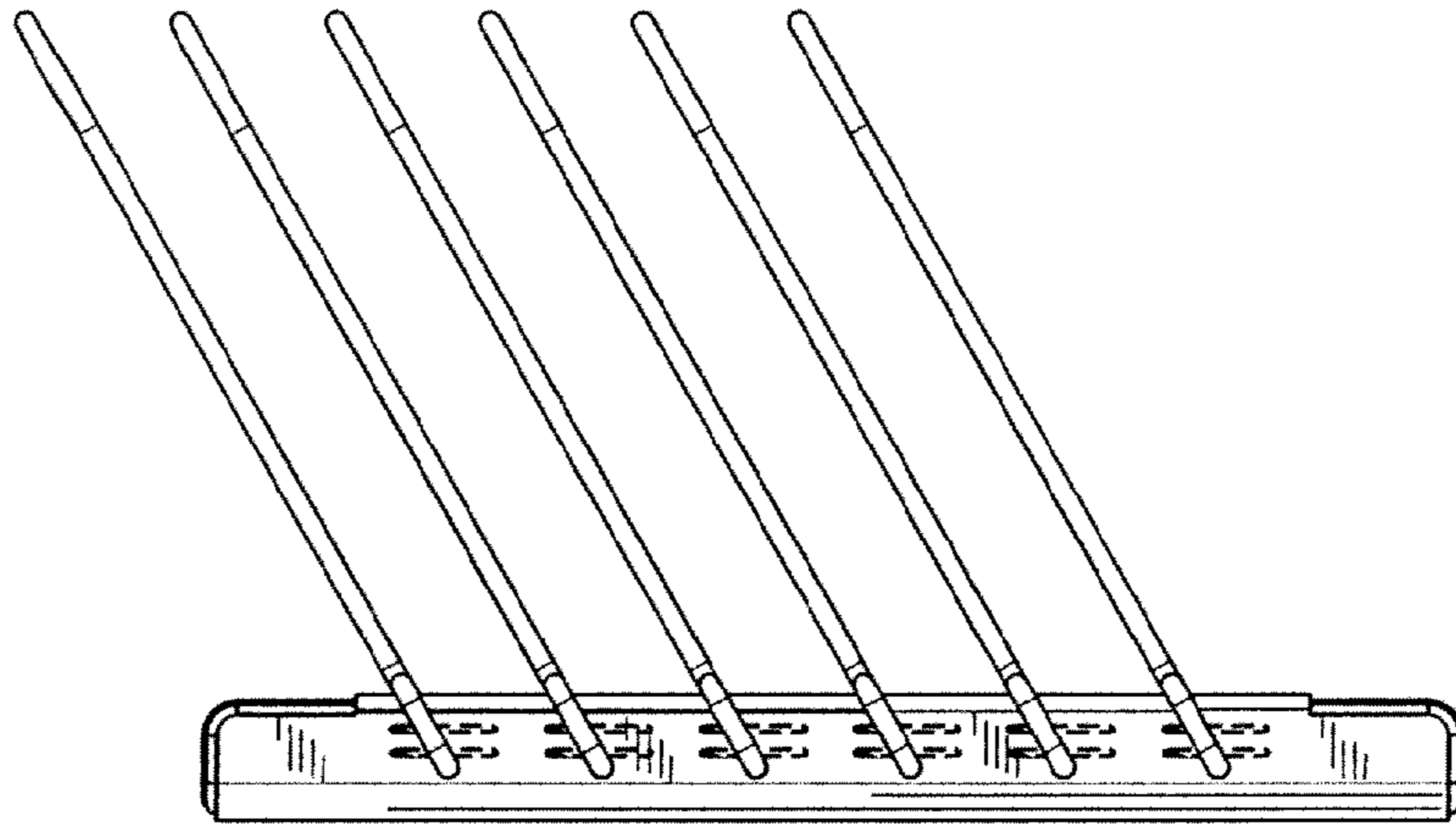


Fig. 6

