



US00D585091S

(12) **United States Design Patent**  
**Matsumoto**

(10) **Patent No.:** **US D585,091 S**  
(45) **Date of Patent:** **\*\* Jan. 20, 2009**

(54) **INK CARTRIDGE**

(75) Inventor: **Hitoshi Matsumoto**, Matsumoto (JP)

(73) Assignee: **Seiko Epson Corporation** (JP)

(\*\*) Term: **14 Years**

(21) Appl. No.: **29/294,447**

(22) Filed: **Jan. 10, 2008**

(30) **Foreign Application Priority Data**

Nov. 27, 2007 (JP) ..... 2007-032509

(51) **LOC (9) Cl.** ..... **18-02**

(52) **U.S. Cl.** ..... **D18/56**

(58) **Field of Classification Search** ..... D18/12,  
D18/43, 56; 347/85-87

See application file for complete search history.

(56) **References Cited**

**U.S. PATENT DOCUMENTS**

D464,672 S *	10/2002	Shinano et al.	.....	D18/56
D477,020 S *	7/2003	Seino	.....	D18/56
D489,757 S *	5/2004	Matsumoto	.....	D18/56
D528,598 S *	9/2006	Ishizawa et al.	.....	D18/56
D529,954 S *	10/2006	Matsumoto	.....	D18/56
D538,338 S *	3/2007	Matsumoto	.....	D18/56

D543,234 S *	5/2007	Hattori et al.	.....	D18/56
2007/0132820 A1 *	6/2007	Sato	.....	347/86
2008/0030558 A1 *	2/2008	Seino et al.	.....	347/86

\* cited by examiner

*Primary Examiner*—Cathy Anne MacCormac

(74) *Attorney, Agent, or Firm*—Harness, Dickey & Pierce, P.L.C.

(57) **CLAIM**

The ornamental design for an ink cartridge, as shown and described.

**DESCRIPTION**

FIG. 1 is a front perspective view of an ink cartridge showing my new design;

FIG. 2 is a front view thereof;

FIG. 3 is a rear view thereof;

FIG. 4 is a top plan view thereof;

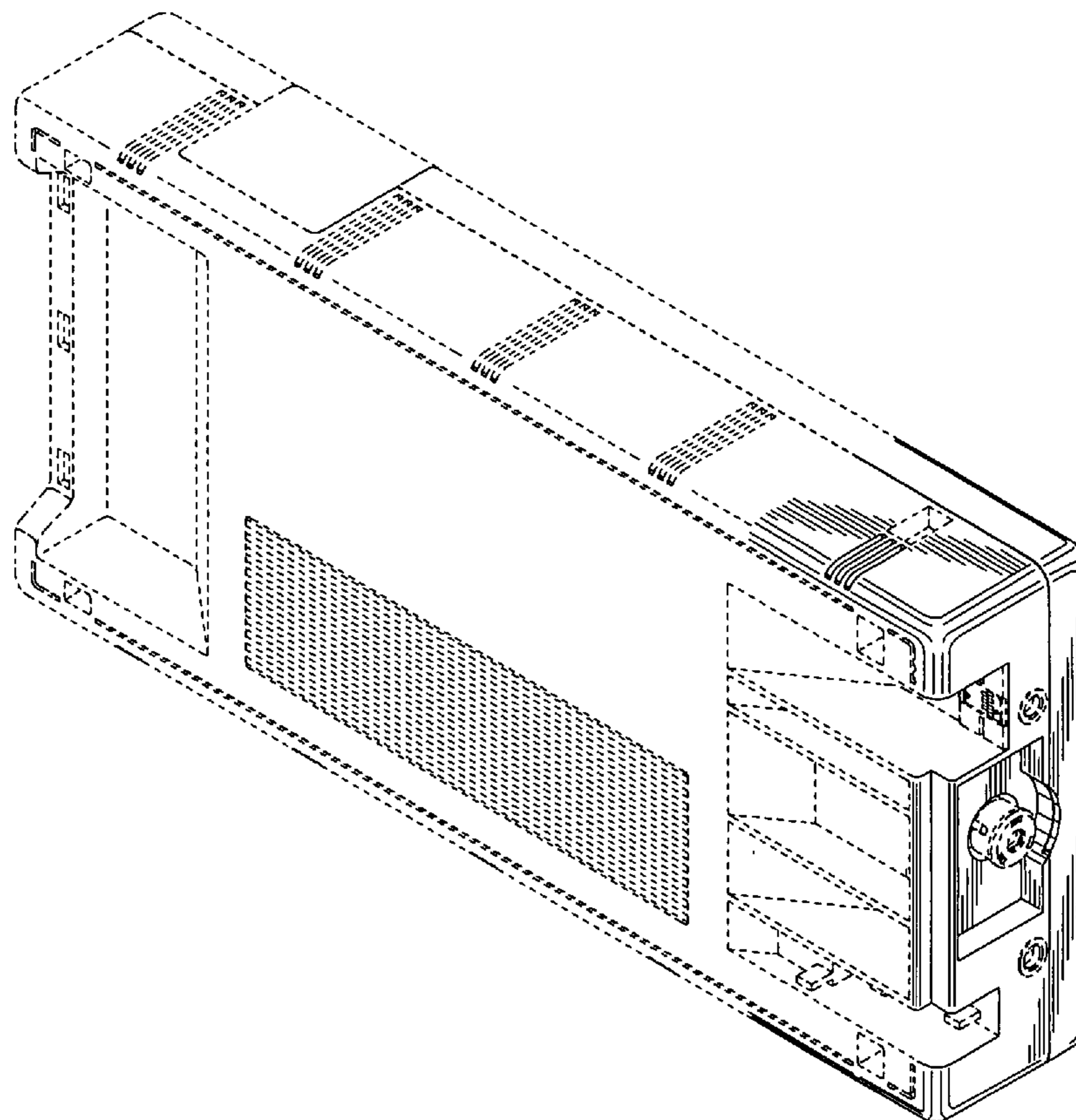
FIG. 5 is a bottom plan view thereof;

FIG. 6 is a right side elevational view thereof; and,

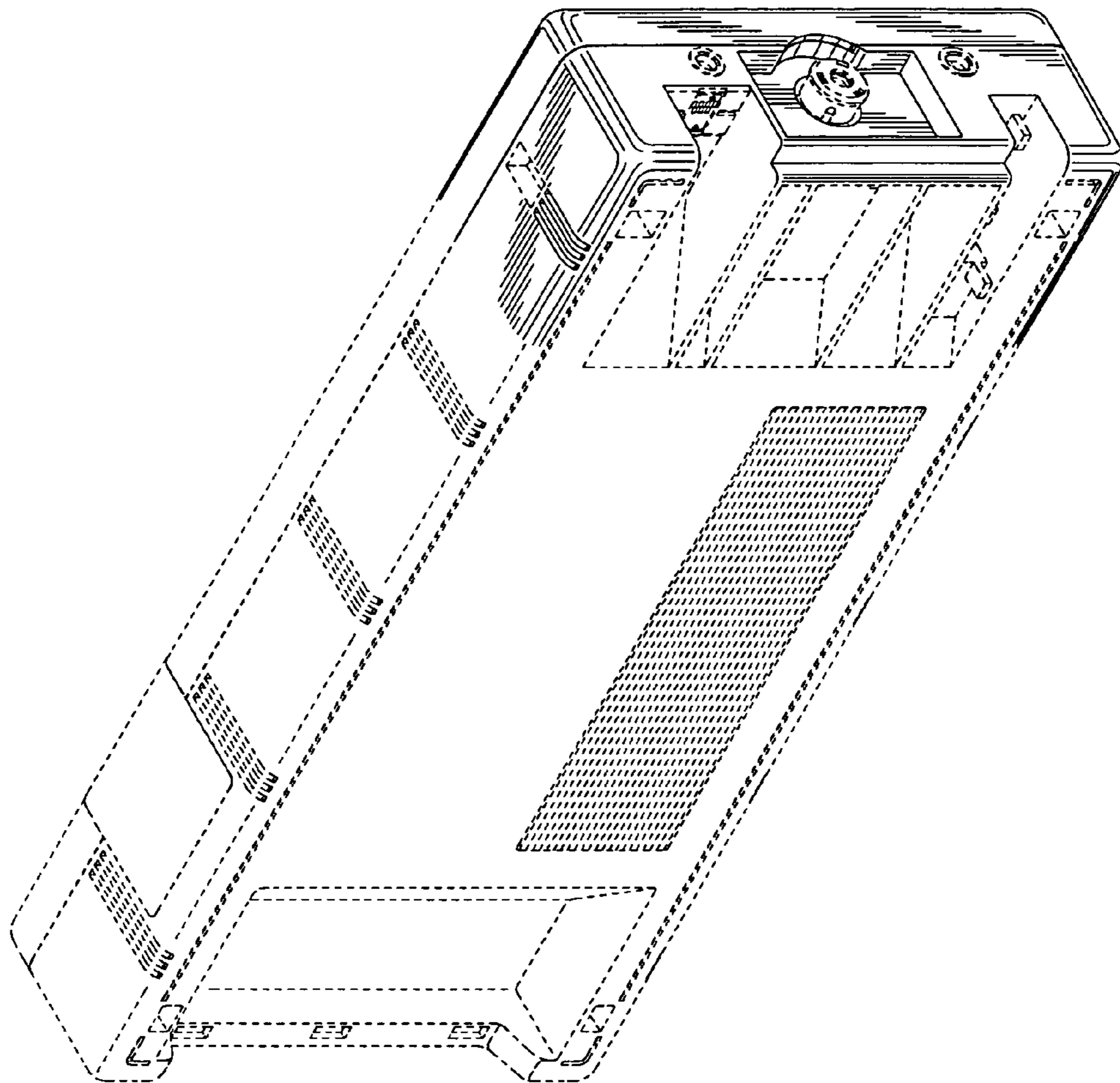
FIG. 7 is a left side elevational view thereof.

The broken lines are shown for illustrative purposes only and form no part of the claimed design.

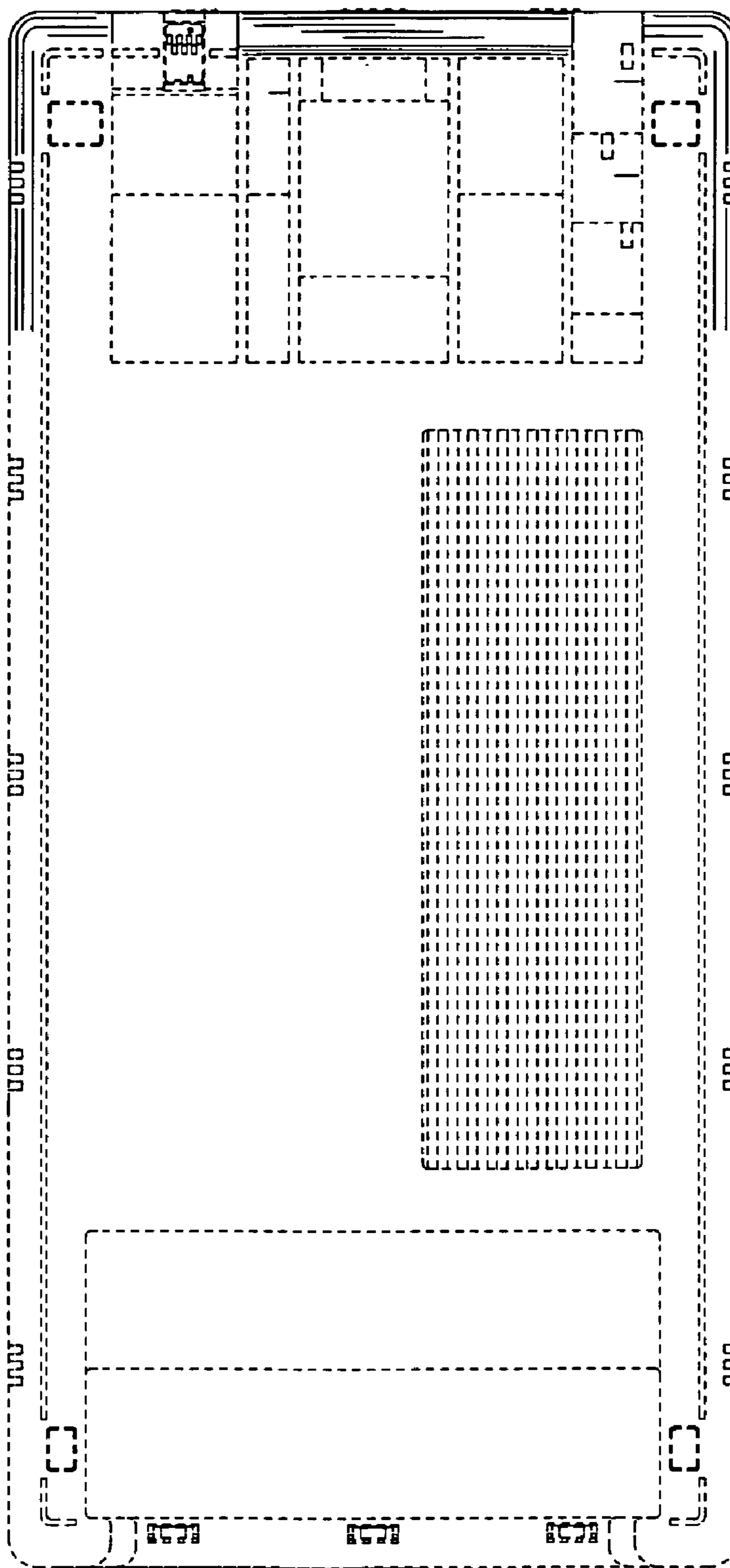
**1 Claim, 5 Drawing Sheets**



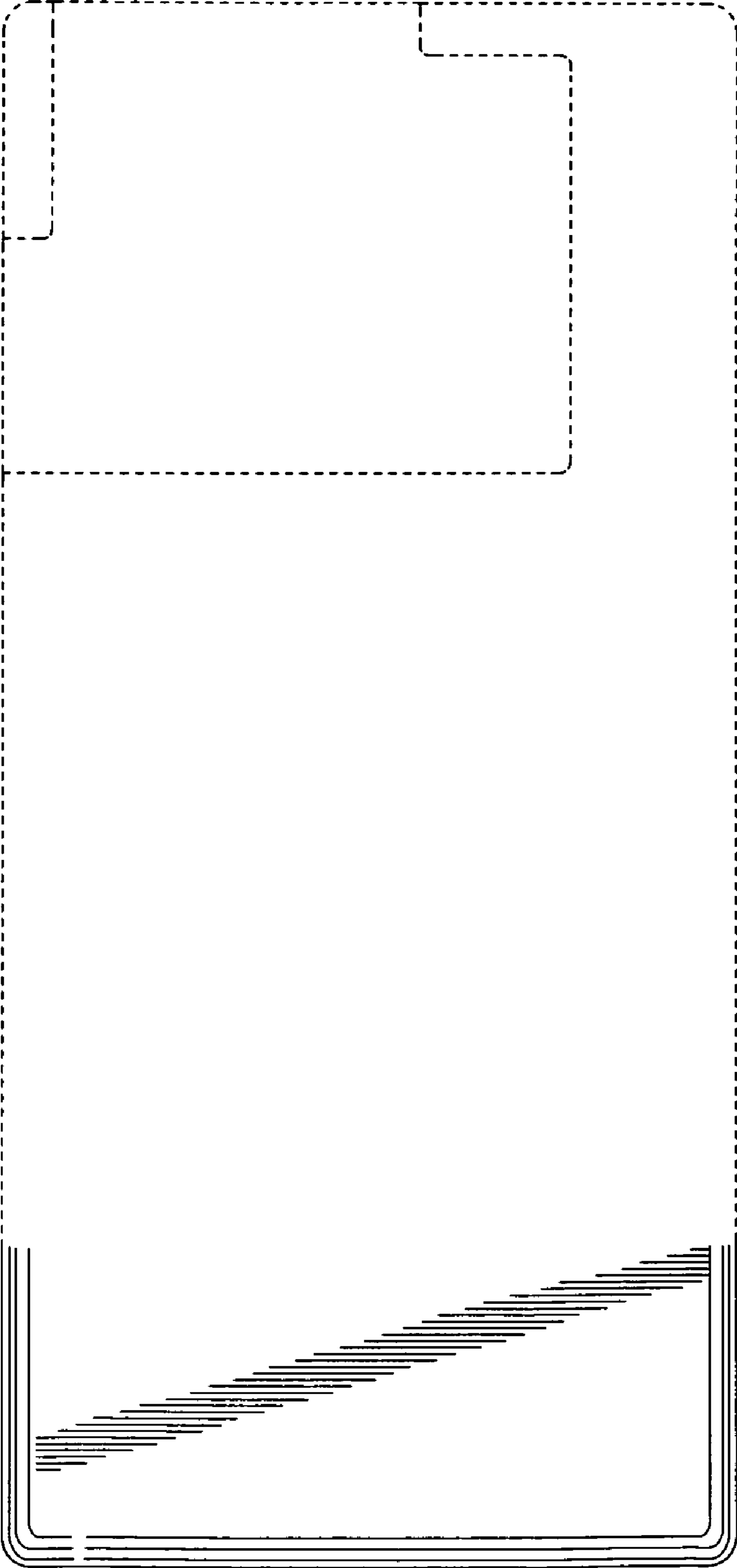
**FIG. 1**



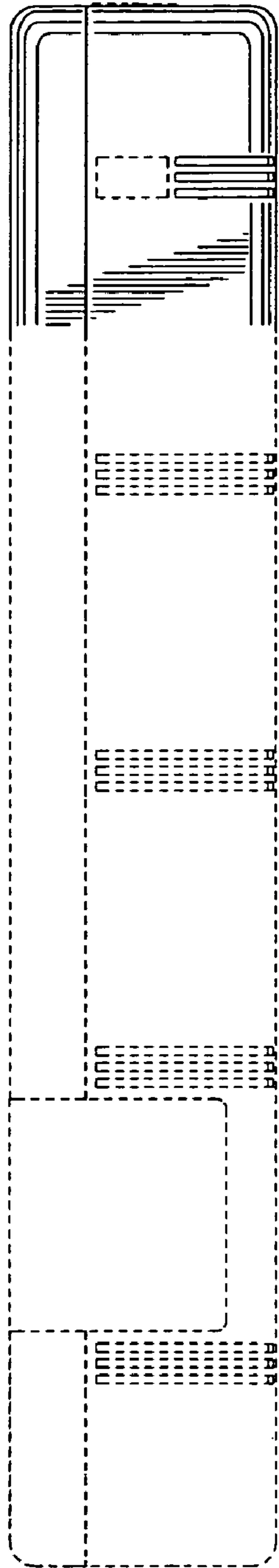
**FIG. 2**



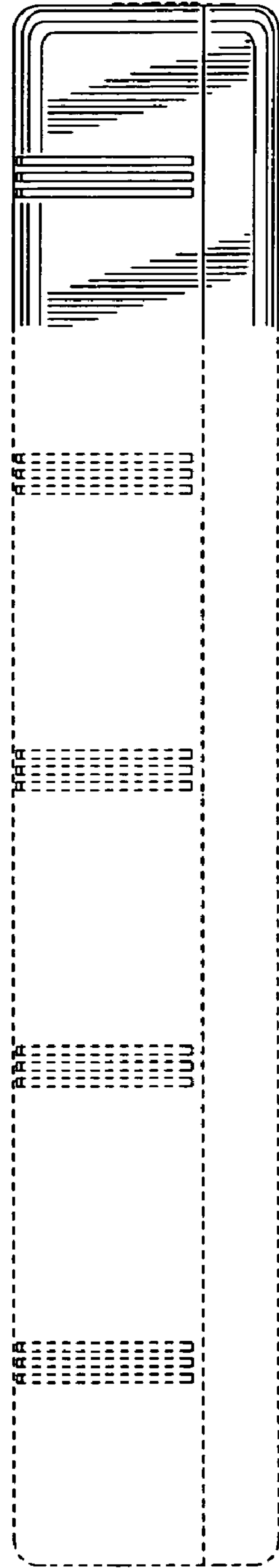
**FIG. 3**



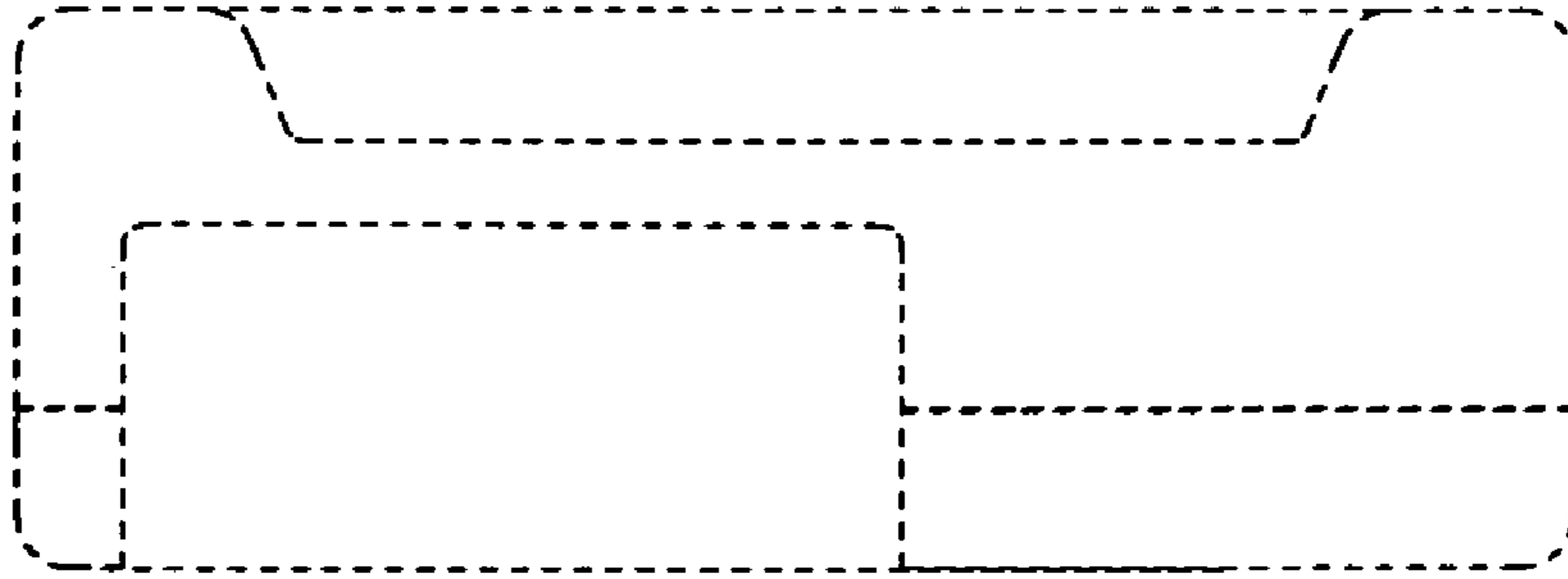
**FIG. 4**



**FIG. 5**



**FIG. 7**



**FIG. 6**

