



US00D585090S

(12) **United States Design Patent**
Ishizawa

(10) **Patent No.:** **US D585,090 S**
(45) **Date of Patent:** **** Jan. 20, 2009**

(54) **INK CARTRIDGE**

(75) Inventor: **Taku Ishizawa**, Shiojiri (JP)

(73) Assignee: **Seiko Epson Corporation** (JP)

(**) Term: **14 Years**

(21) Appl. No.: **29/293,508**

(22) Filed: **Nov. 28, 2007**

(30) **Foreign Application Priority Data**

Sep. 21, 2007	(JP)	2007-025687
Sep. 21, 2007	(JP)	2007-025688
Sep. 21, 2007	(JP)	2007-025689

(51) **LOC (9) Cl.** **18-02**

(52) **U.S. Cl.** **D18/56**

(58) **Field of Classification Search** D18/12,
D18/43, 56; 347/85-87

See application file for complete search history.

(56) **References Cited**

U.S. PATENT DOCUMENTS

D464,672	S *	10/2002	Shinano et al.	D18/56
D477,020	S *	7/2003	Seino	D18/56
D489,757	S *	5/2004	Matsumoto	D18/56
D522,049	S *	5/2006	Ishizawa et al.	D18/56
D524,855	S *	7/2006	Ishizawa et al.	D18/56
D529,954	S *	10/2006	Matsumoto	D18/56
D538,338	S *	3/2007	Matsumoto	D18/56
D573,180	S *	7/2008	Yoshino	D18/56
2007/0132820	A1 *	6/2007	Sato	347/86
2008/0024572	A1 *	1/2008	Kimura et al.	347/86
2008/0030558	A1 *	2/2008	Seino et al.	347/86

* cited by examiner

Primary Examiner—Cathy Anne MacCormac
(74) *Attorney, Agent, or Firm*—Harness, Dickey & Pierce,
P.L.C.

(57) **CLAIM**

The ornamental design for an ink cartridge, as shown.

DESCRIPTION

FIG. 1 is a top front perspective view of an ink cartridge showing my new design;

FIG. 2 is a bottom front perspective view thereof;

FIG. 3 is a front view thereof;

FIG. 4 is a rear view thereof;

FIG. 5 is a top plan view thereof;

FIG. 6 is a bottom plan view thereof;

FIG. 7 is a right side view thereof;

FIG. 8 is a left side view thereof;

FIG. 9 is a top front perspective view of an ink cartridge according to a second embodiment of the present design;

FIG. 10 is a bottom front perspective view thereof;

FIG. 11 is a front view thereof;

FIG. 12 is a rear view thereof;

FIG. 13 is a top plan view thereof;

FIG. 14 is a bottom plan view thereof;

FIG. 15 is a right side view thereof;

FIG. 16 is a left side view thereof;

FIG. 17 is a top front perspective view of an ink cartridge according to a third embodiment of the present design;

FIG. 18 is a bottom front perspective view thereof;

FIG. 19 is a front view thereof;

FIG. 20 is a rear view thereof;

FIG. 21 is a top plan view thereof;

FIG. 22 is a bottom plan view thereof;

FIG. 23 is a right side view thereof; and,

FIG. 24 is a left side view thereof.

1 Claim, 18 Drawing Sheets

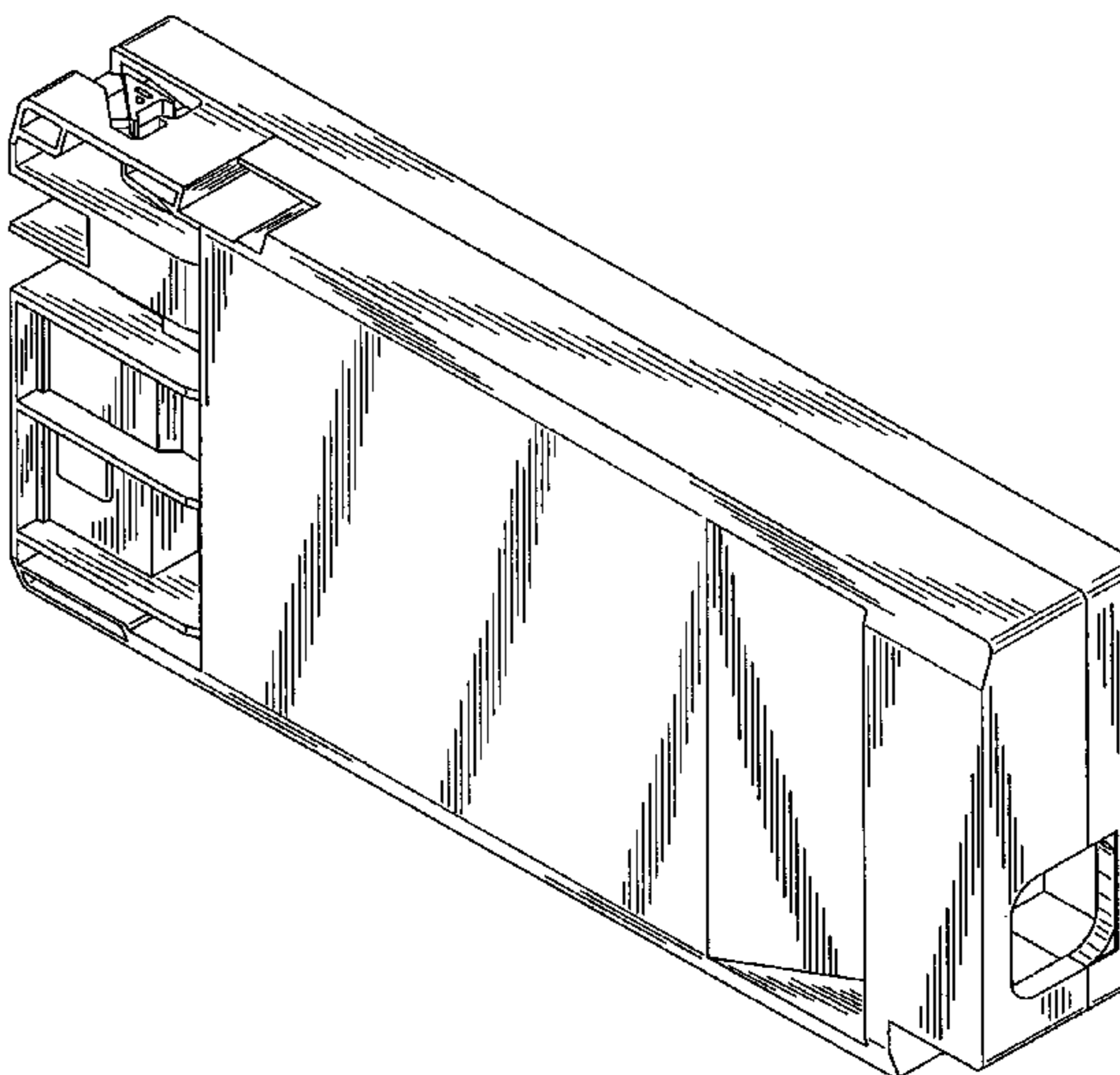
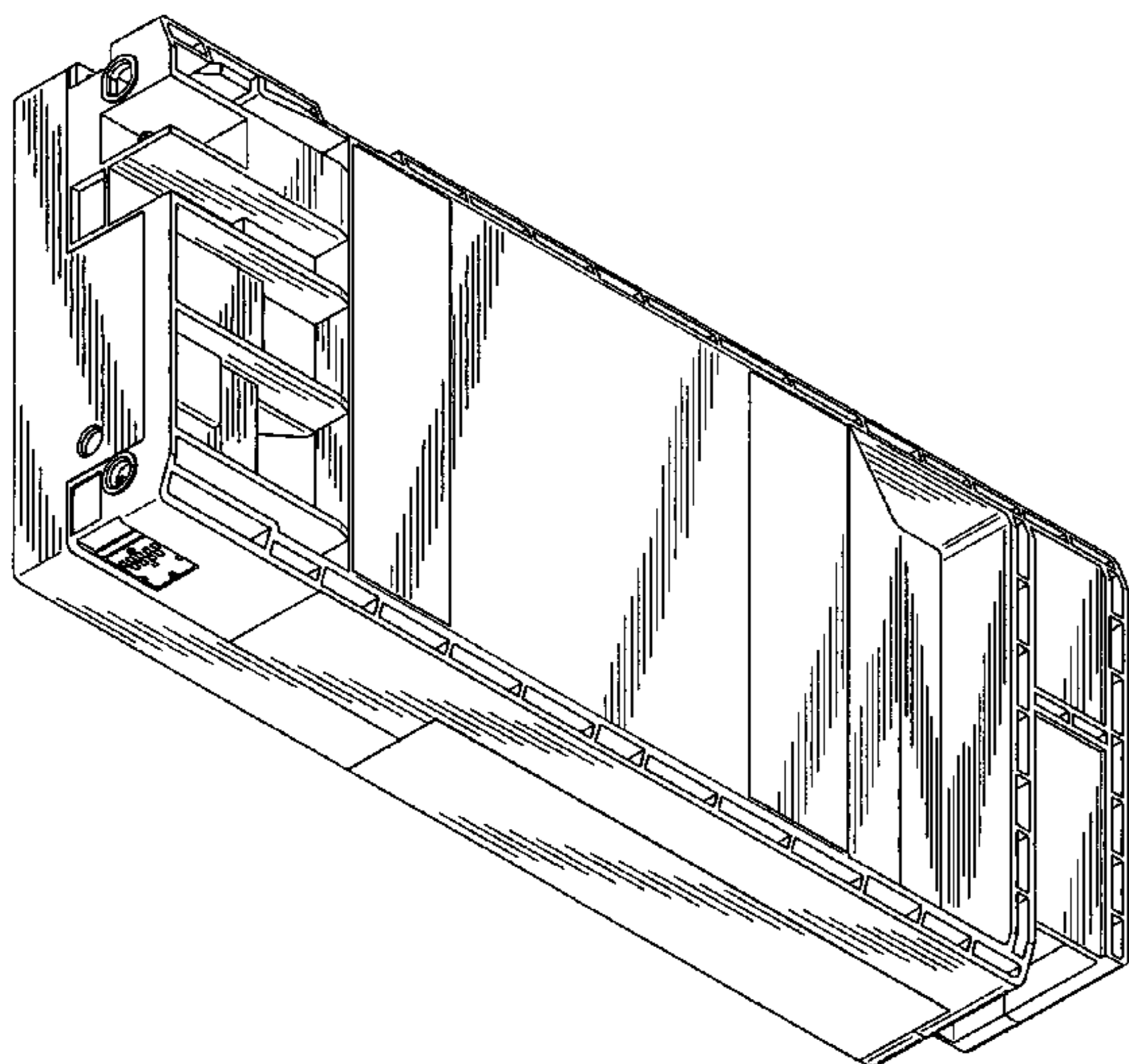


FIG. 1

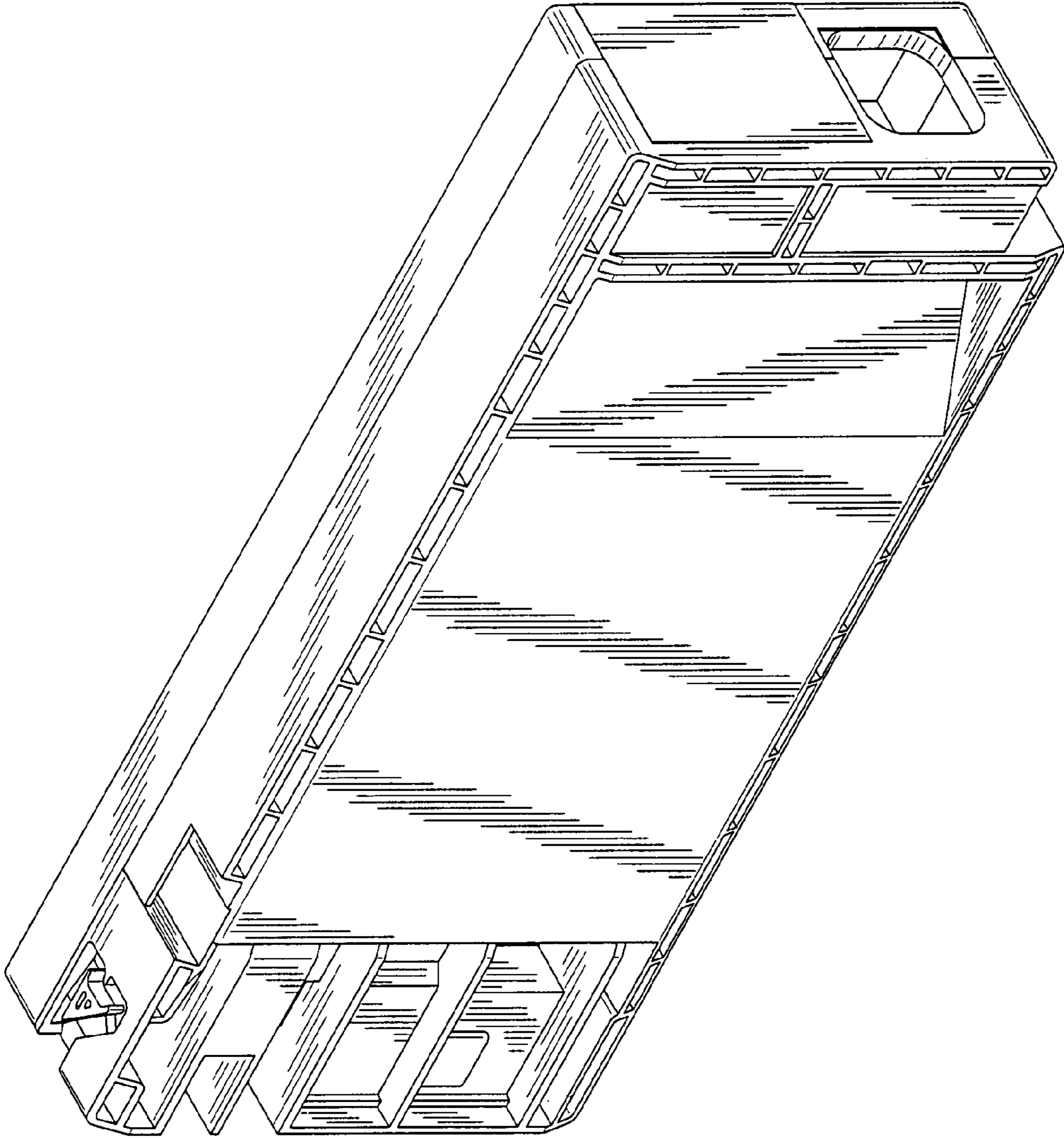


FIG. 2

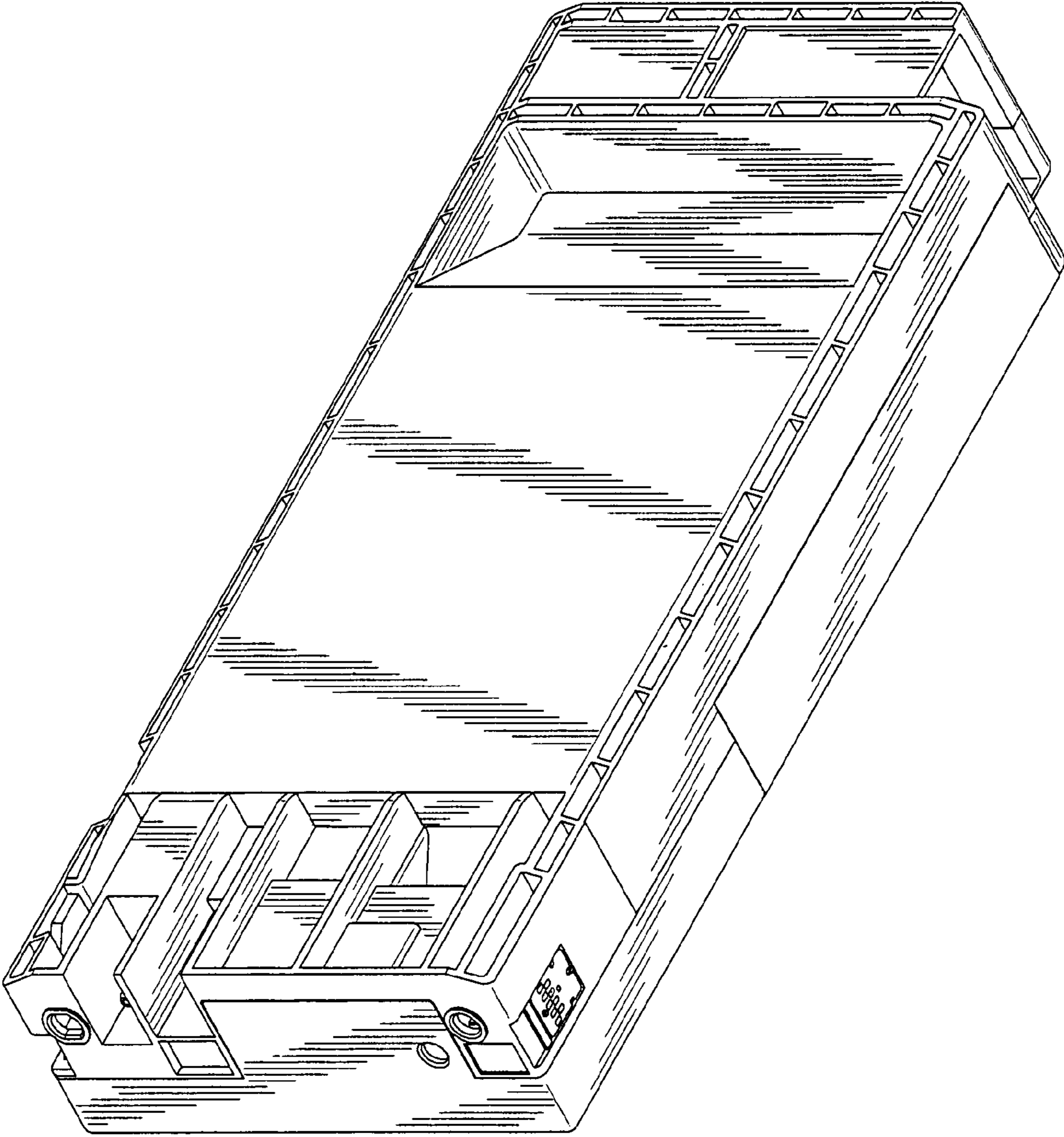


FIG. 3

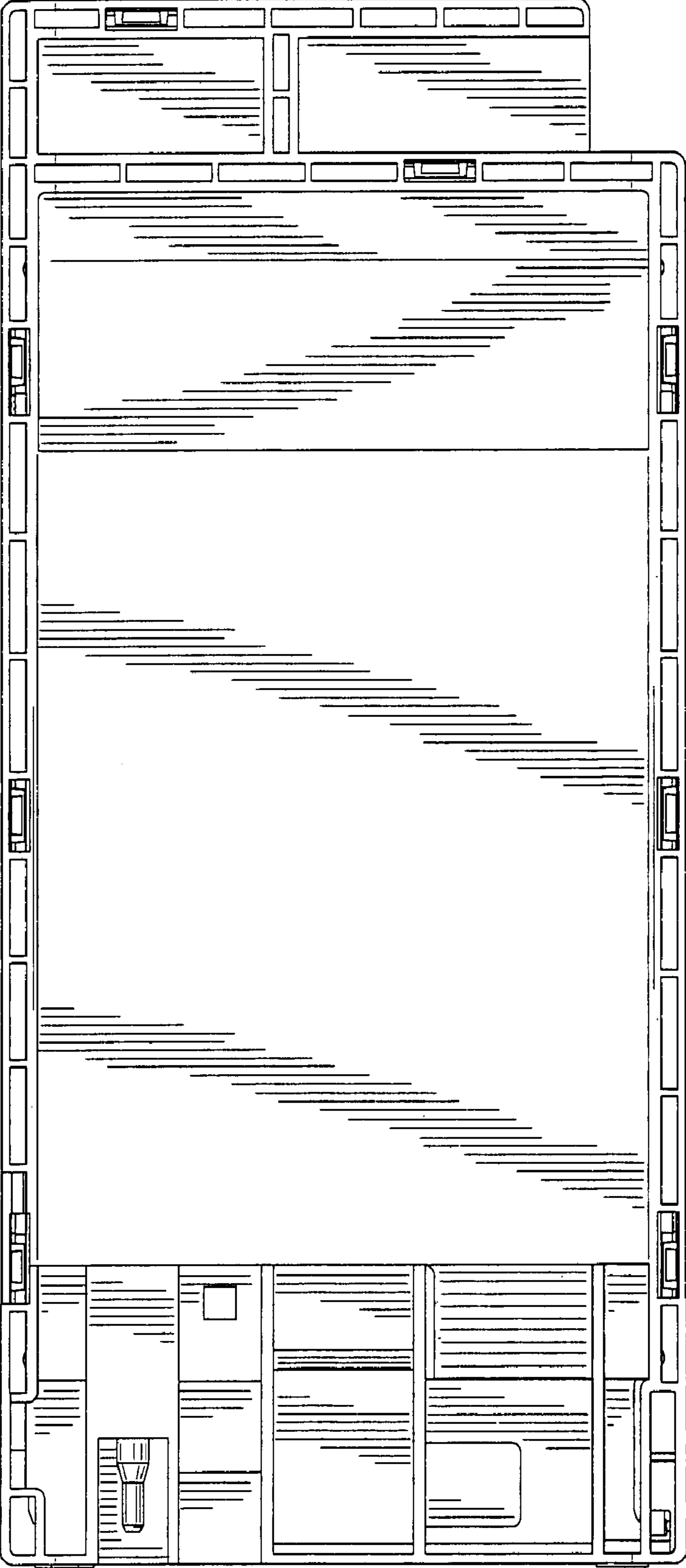


FIG. 4

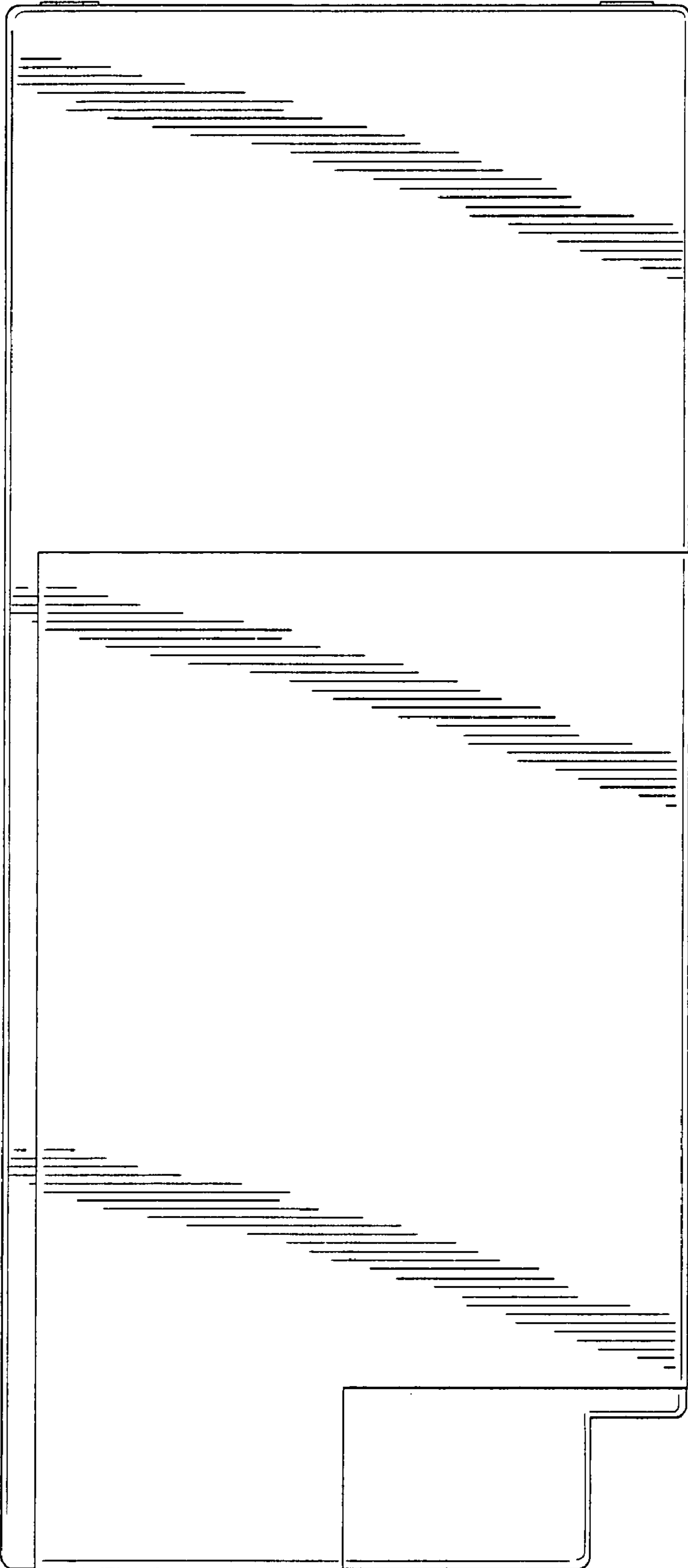


FIG. 5

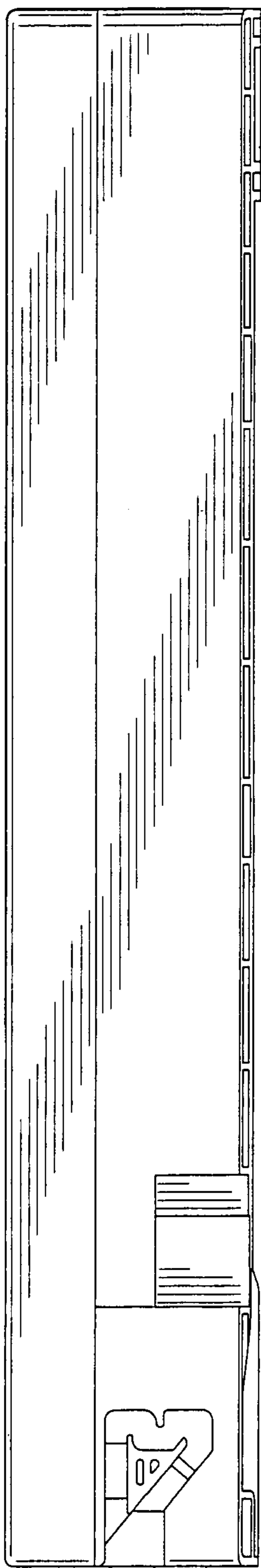


FIG. 6

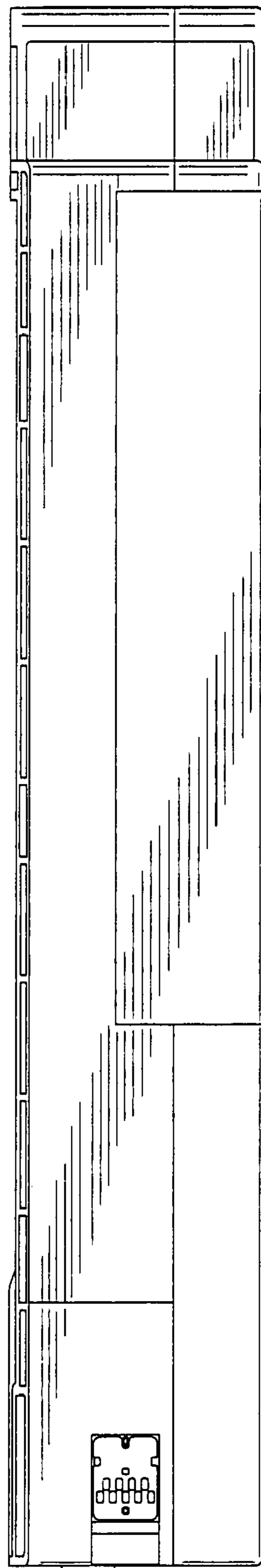


FIG. 8

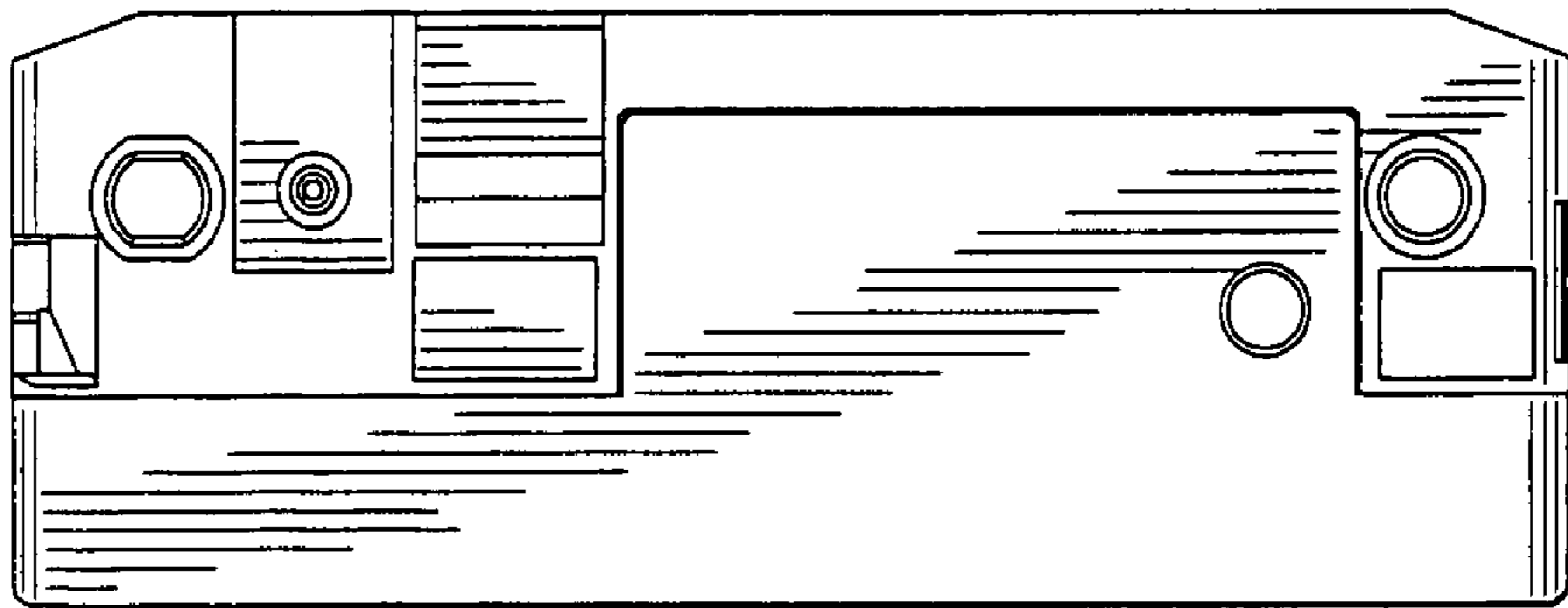


FIG. 7

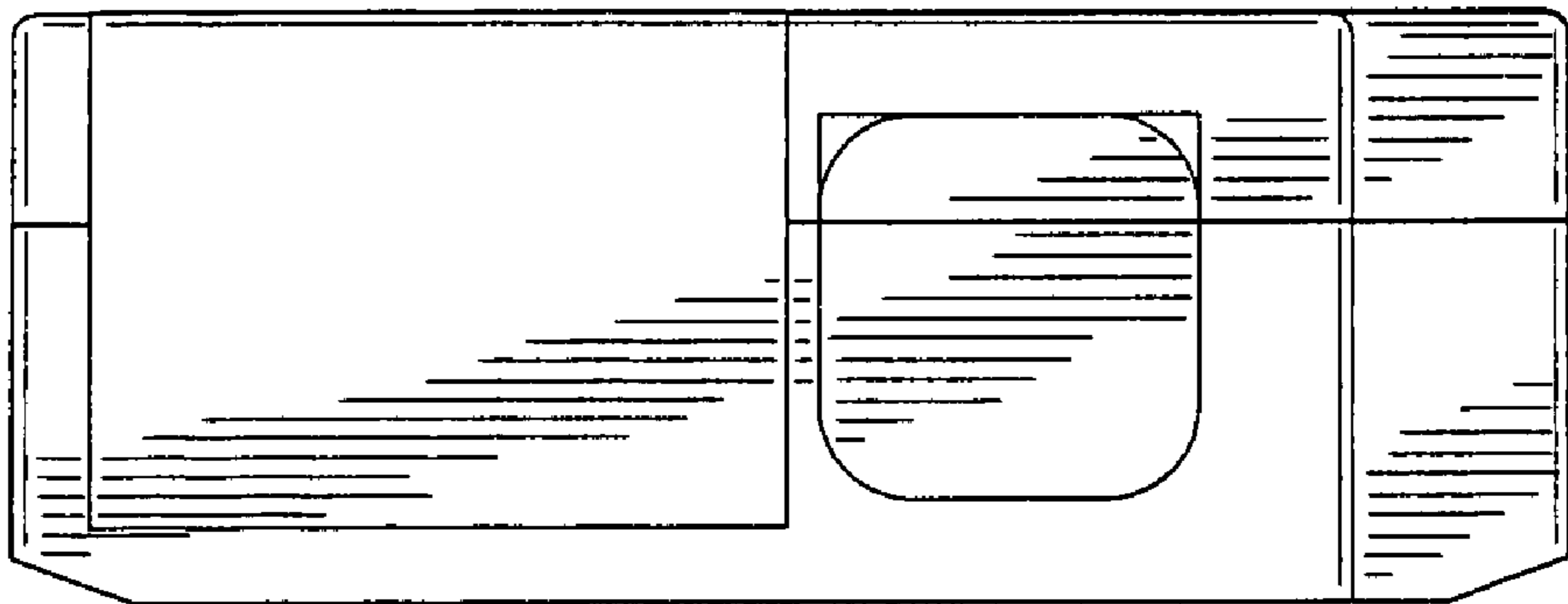


FIG. 9

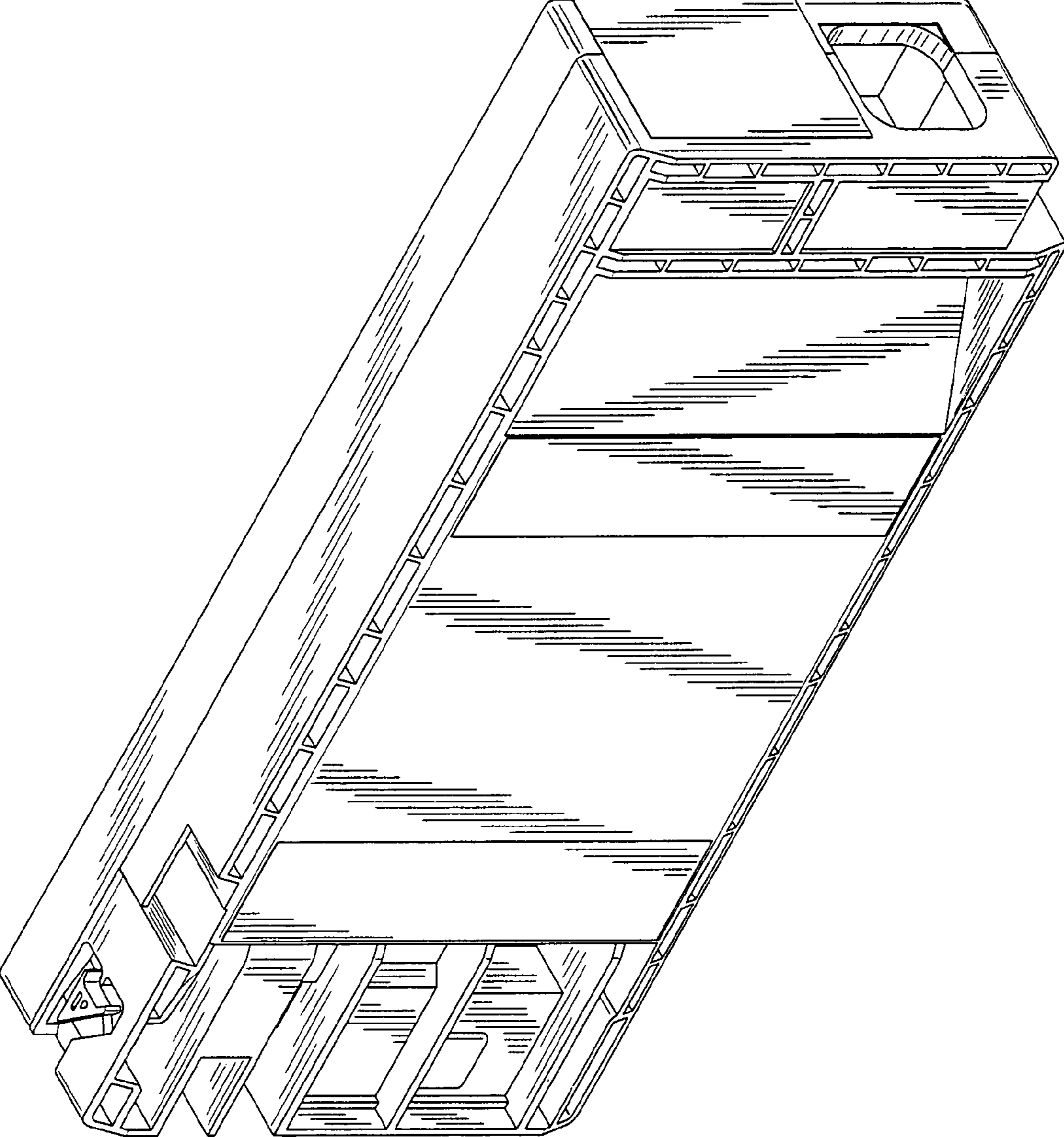


FIG. 10

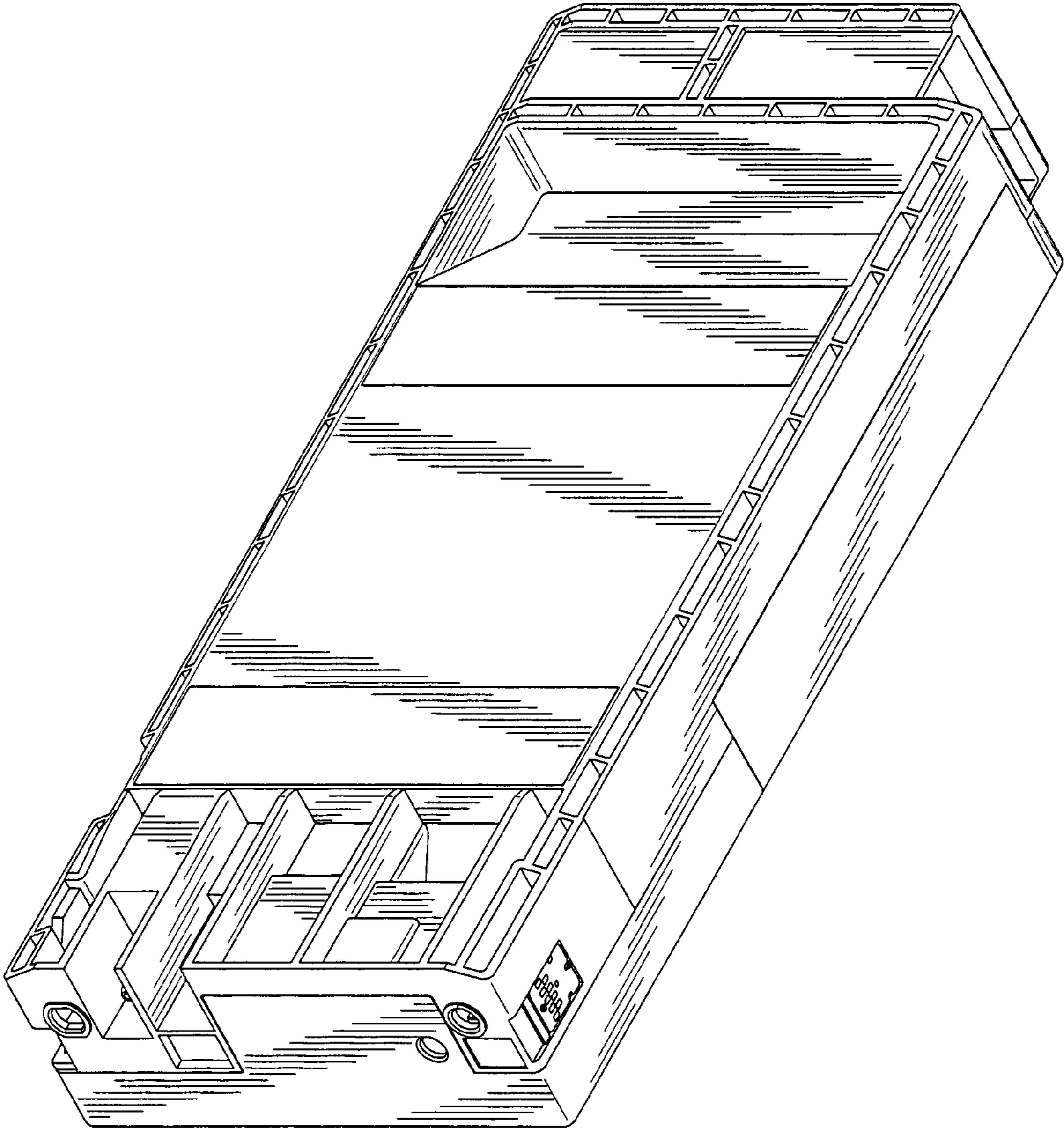


FIG. 11

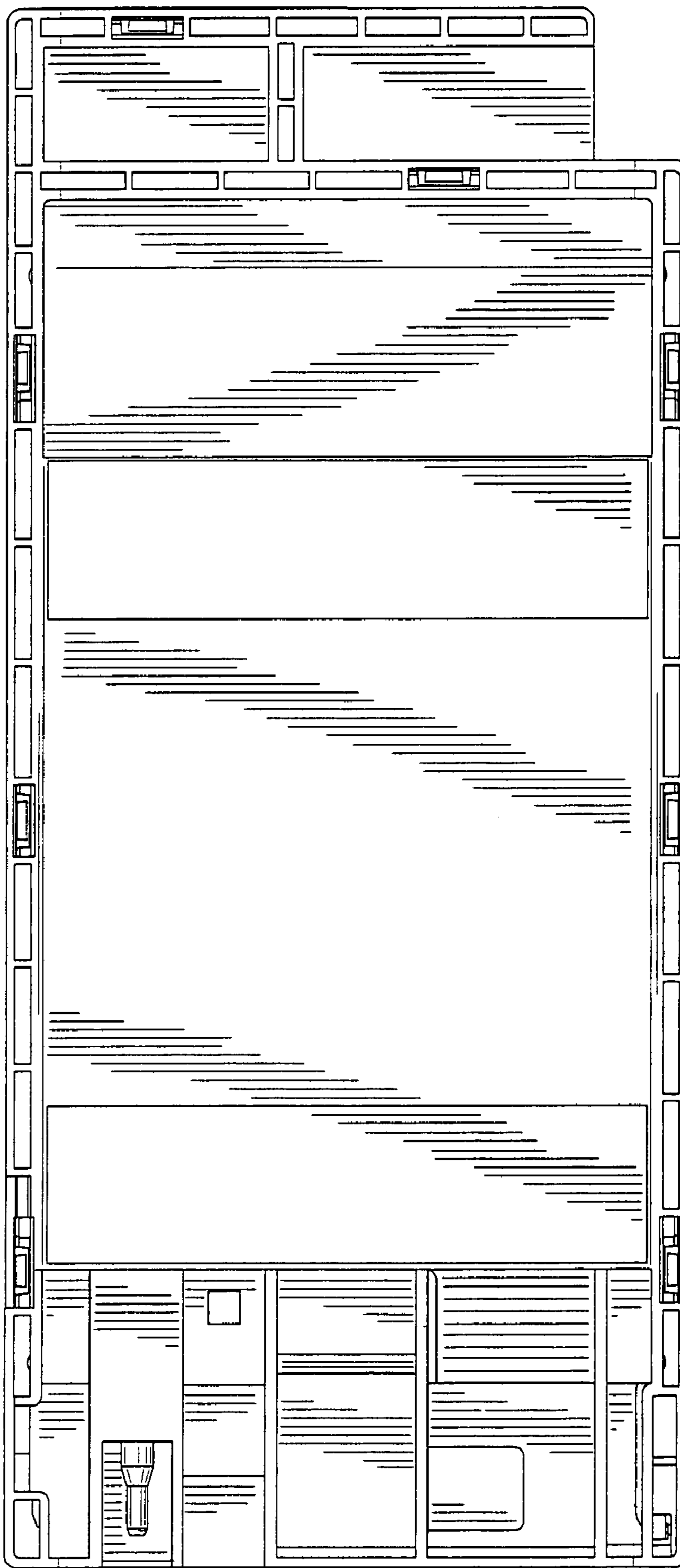


FIG. 12

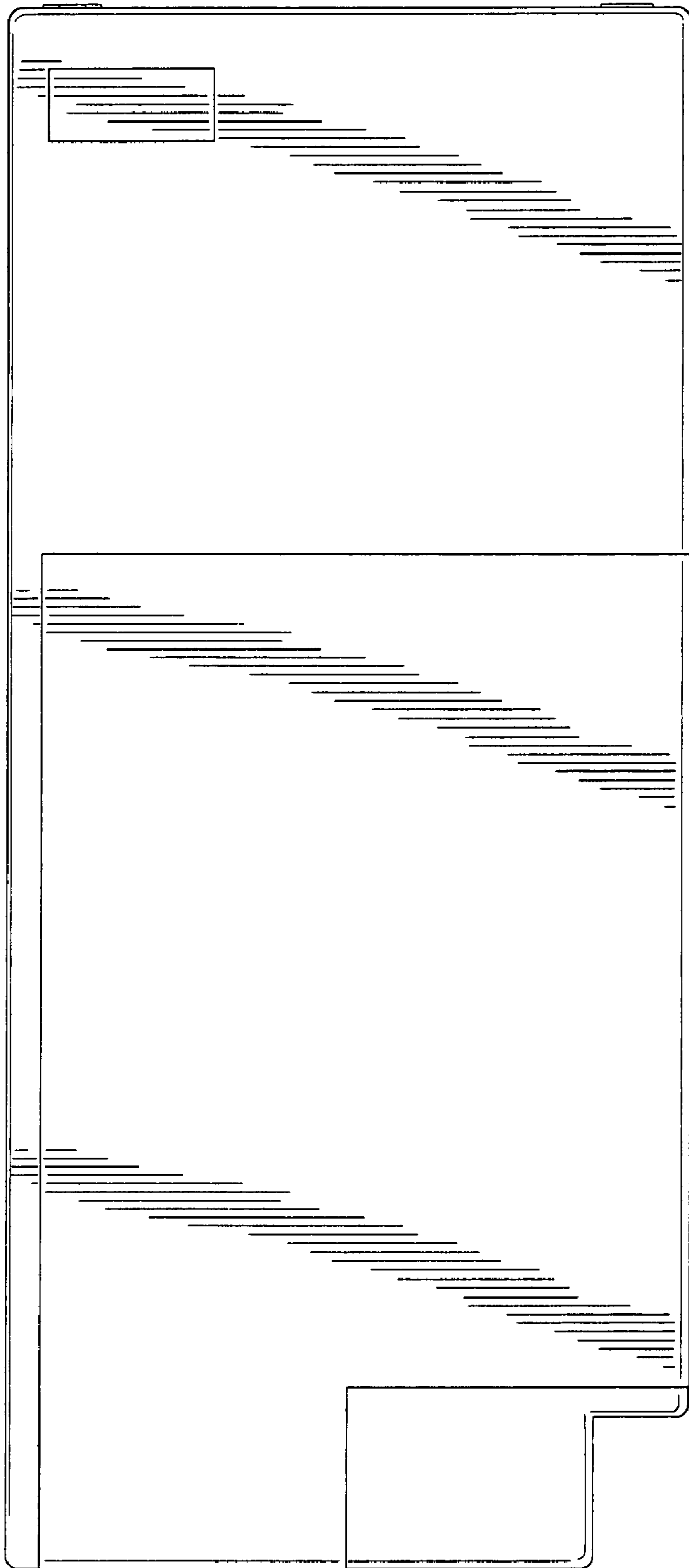


FIG. 13

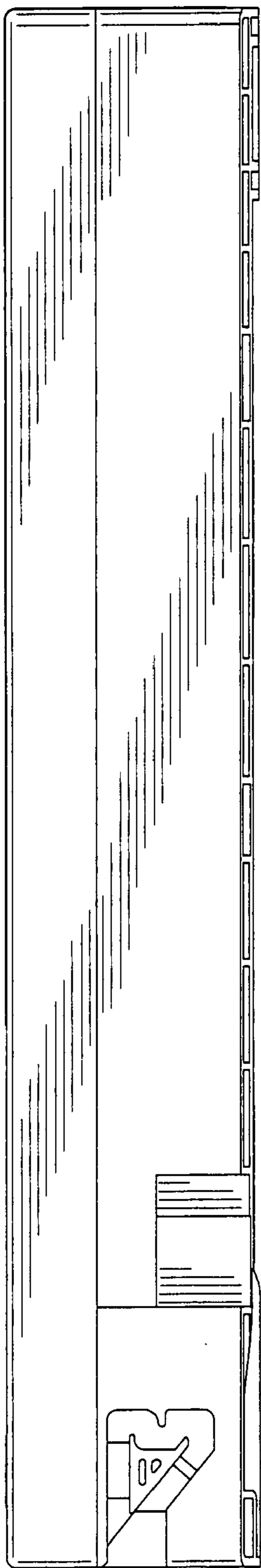


FIG. 14

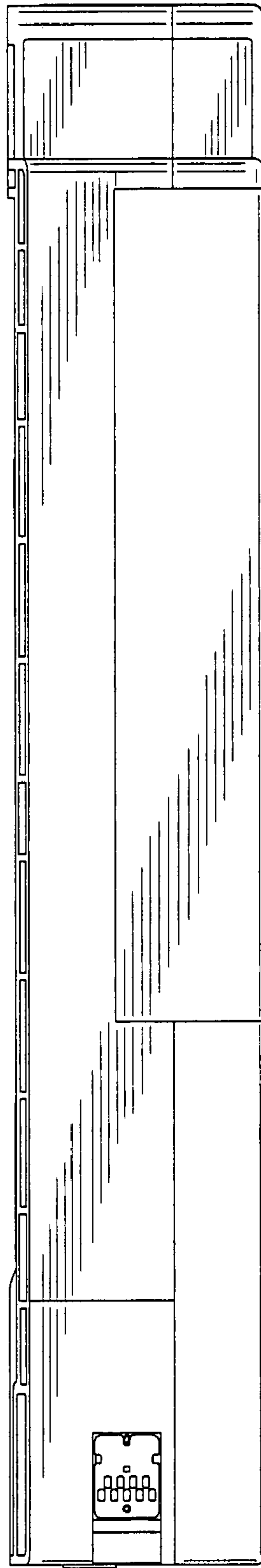


FIG. 16

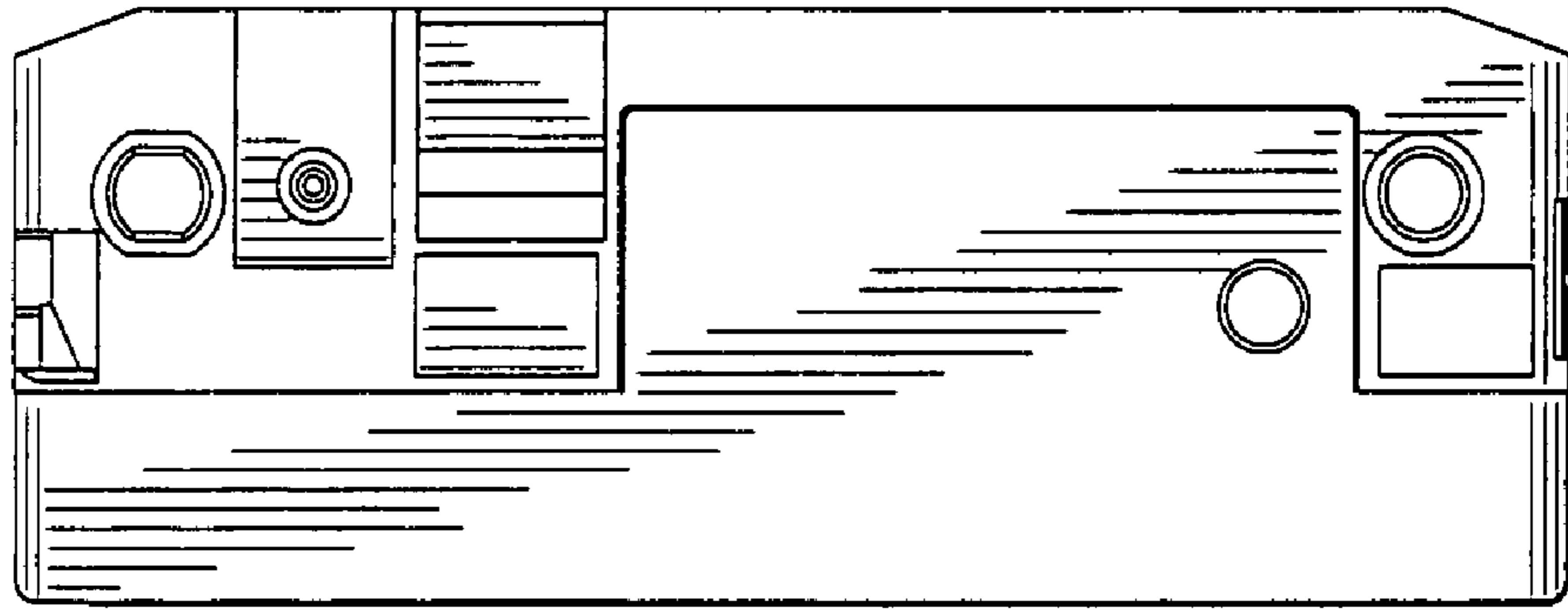


FIG. 15

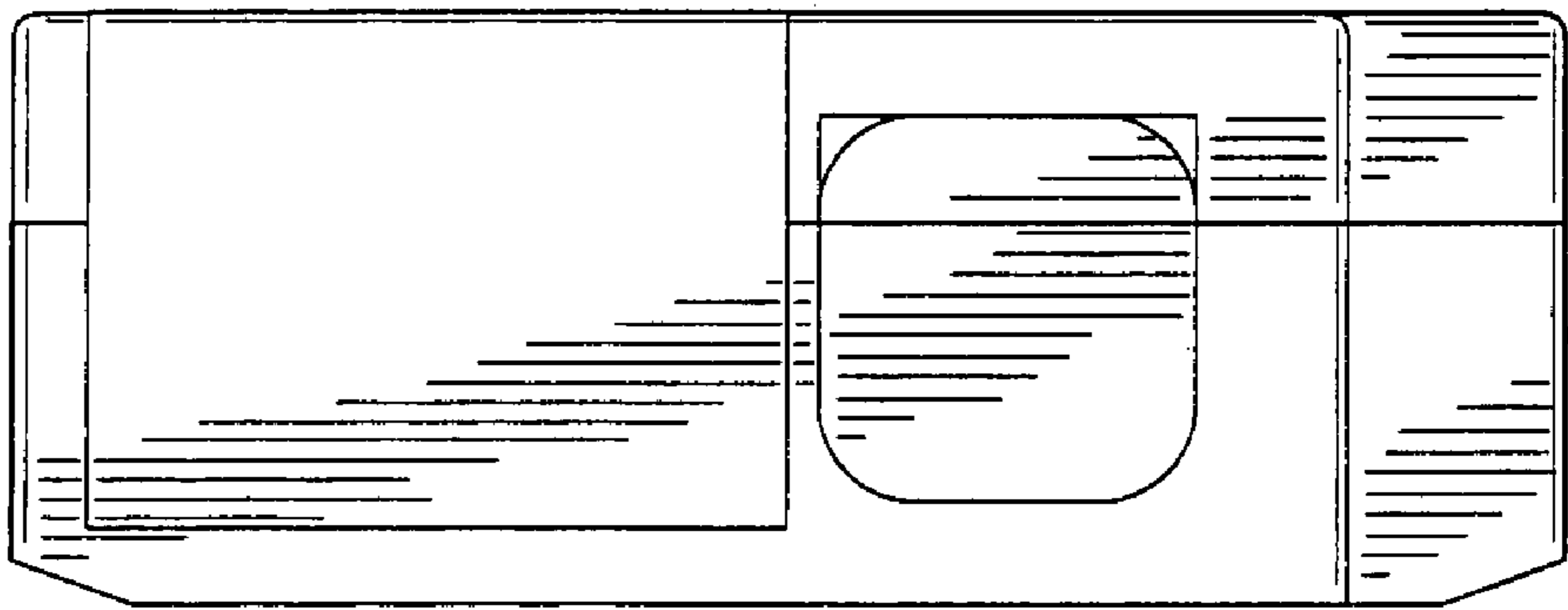


FIG. 17

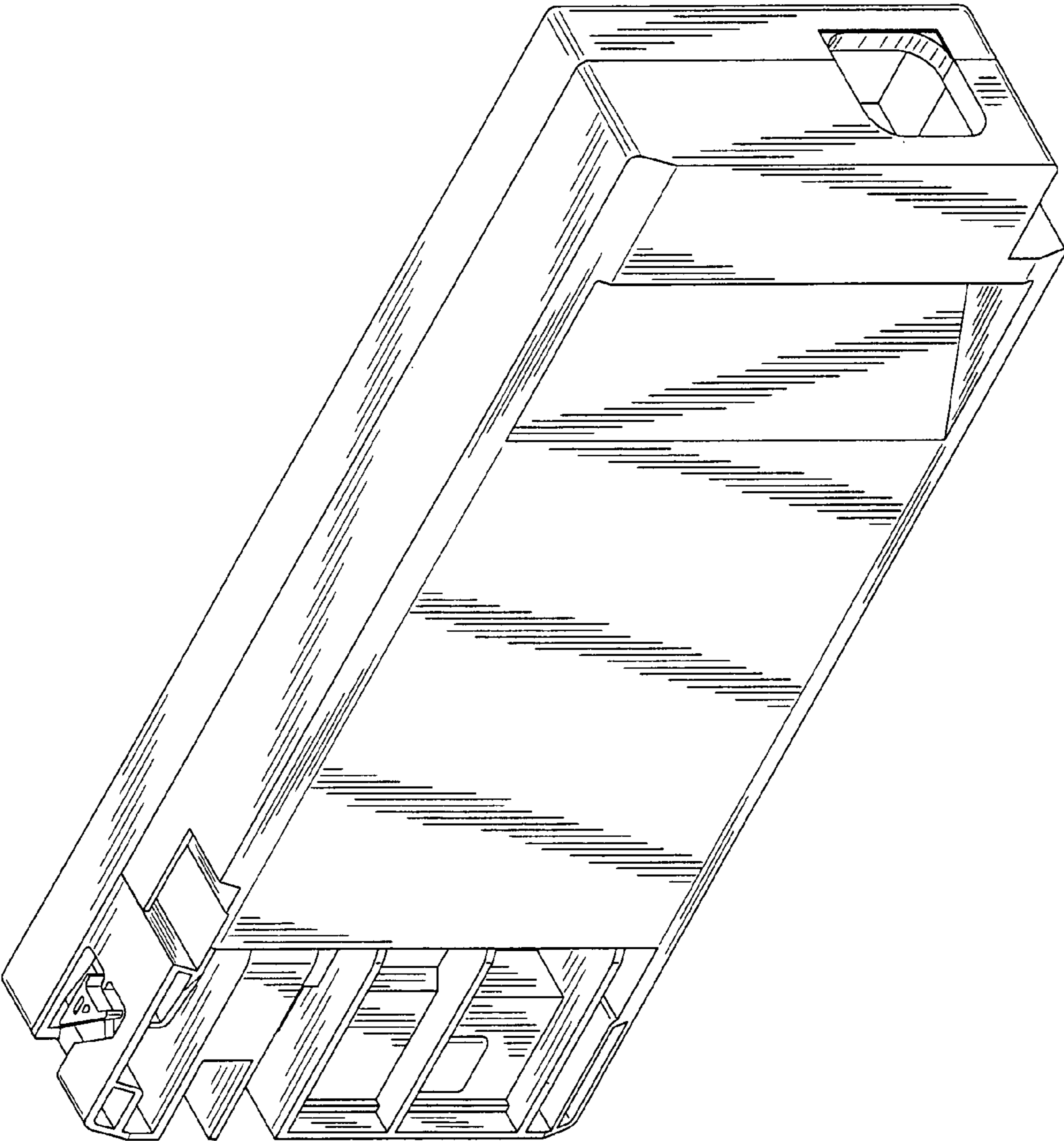


FIG. 18

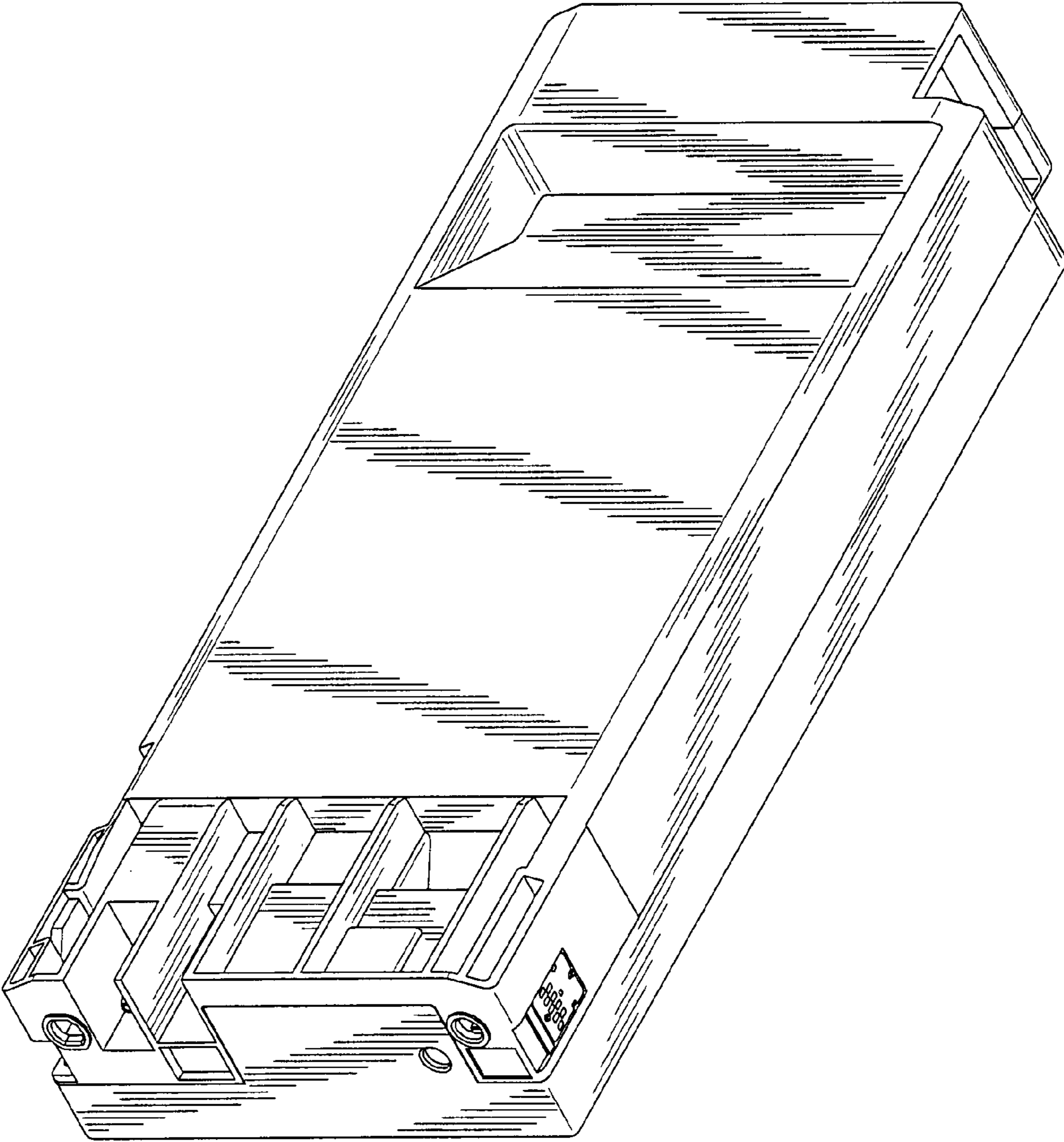


FIG. 19

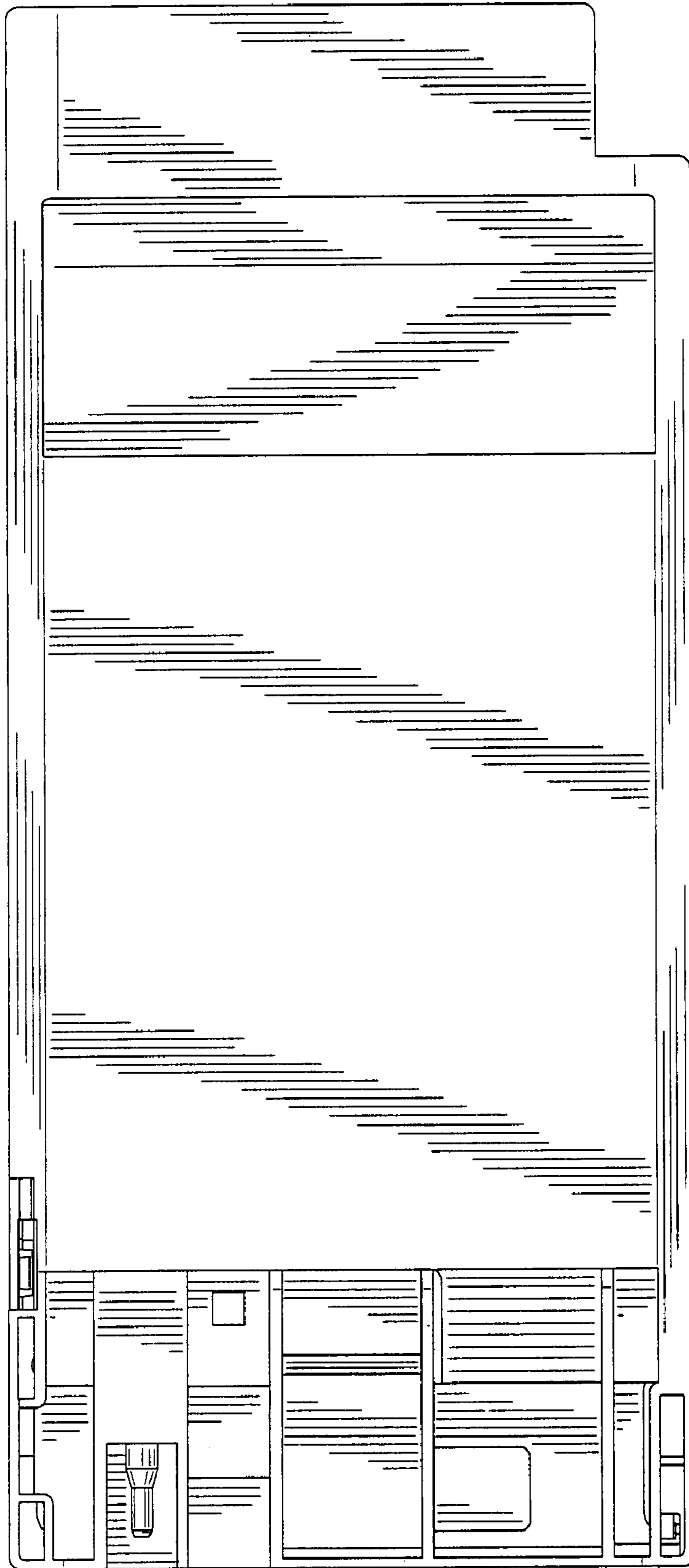


FIG. 20

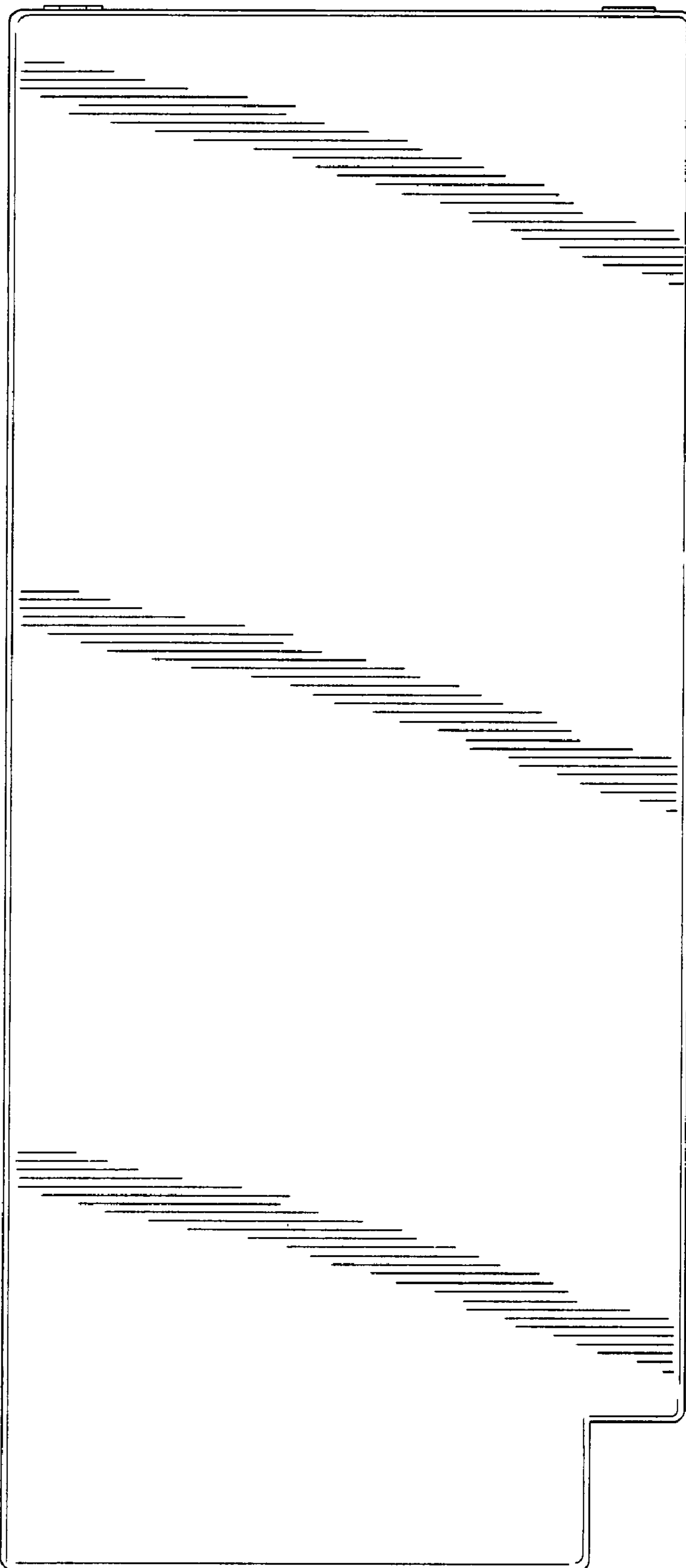


FIG. 21

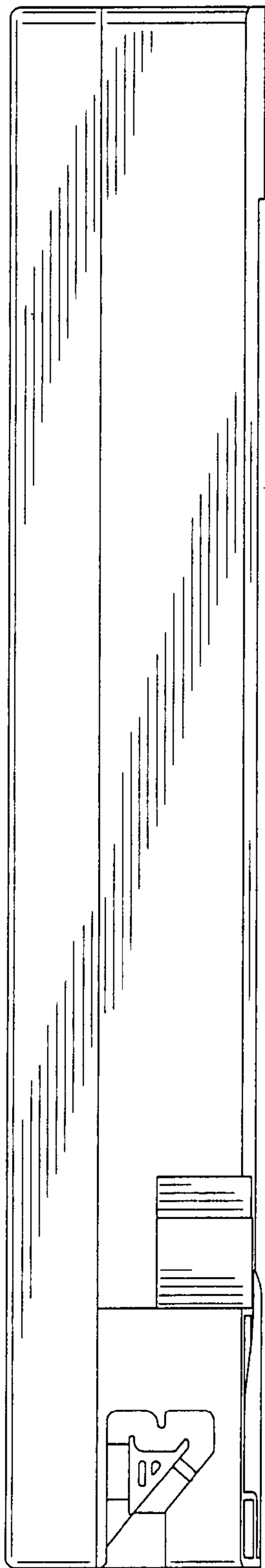


FIG. 22

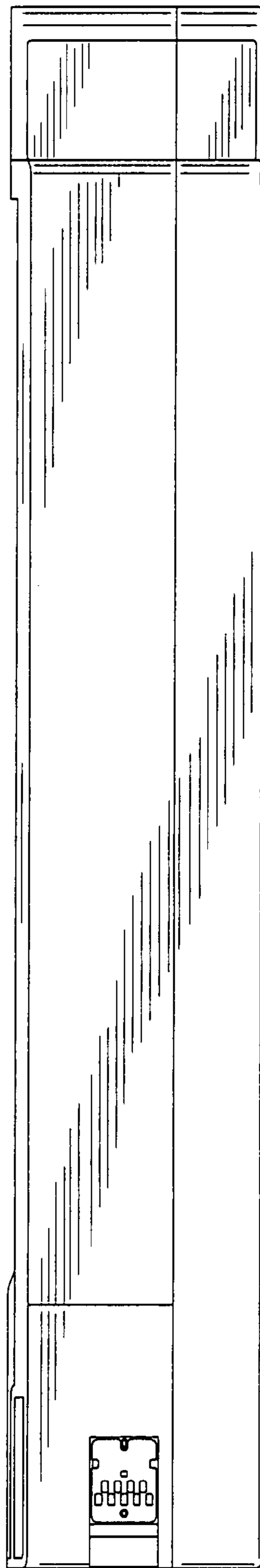


FIG. 24

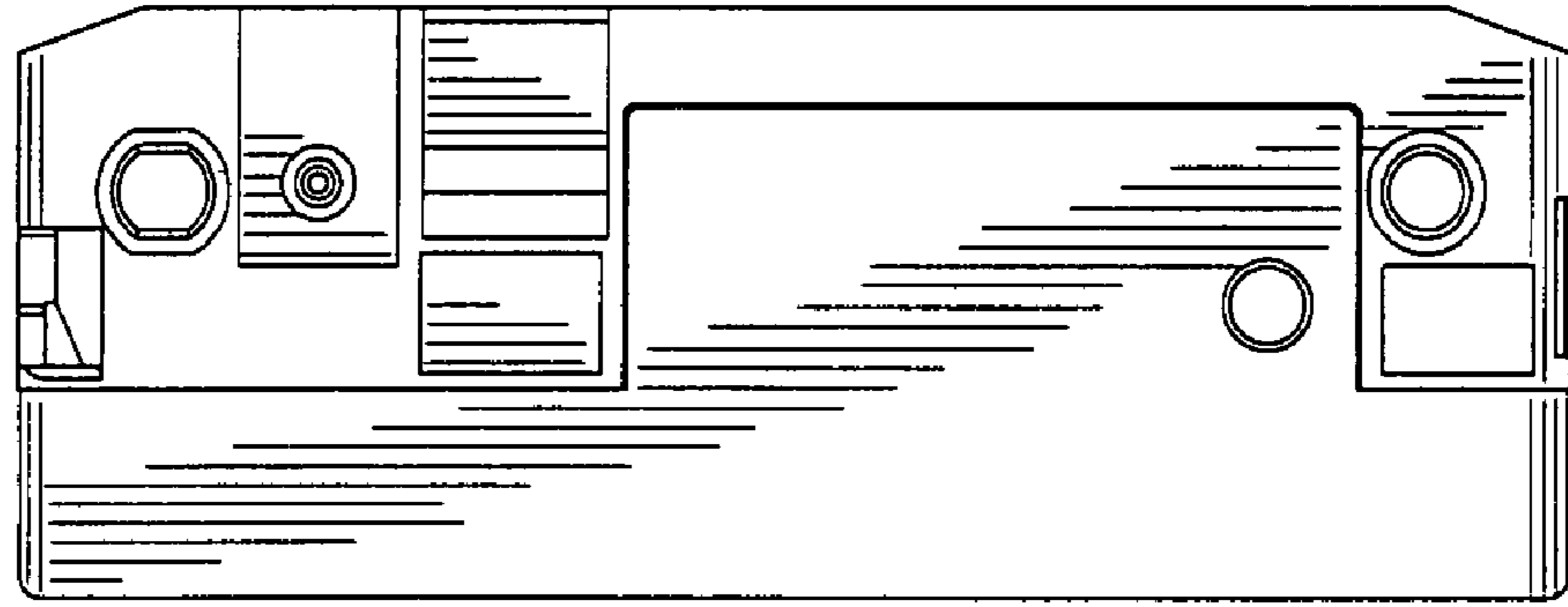


FIG. 23

