

US00D585087S

(12) **United States Design Patent**  
**Shih**

(10) **Patent No.:** **US D585,087 S**  
(45) **Date of Patent:** **\*\* Jan. 20, 2009**

(54) **SELF-INKING STAMP**

(76) Inventor: **Shiny Shih**, No. 31, Lane 349,  
Chungcheng S. Rd., Yungkang City,  
Tainan Hsien (TW)

(\*\*) Term: **14 Years**

(21) Appl. No.: **29/297,167**

(22) Filed: **Nov. 6, 2007**

(51) **LOC (9) Cl.** ..... **19-02**

(52) **U.S. Cl.** ..... **D18/15**

(58) **Field of Classification Search** ..... D18/15,  
D18/16, 17, 18, 50; 101/333, 334, 327, 328,  
101/352.07, 405, 406; 118/264, 268  
See application file for complete search history.

(56) **References Cited**

**U.S. PATENT DOCUMENTS**

|           |      |         |                |       |         |
|-----------|------|---------|----------------|-------|---------|
| 3,402,663 | A *  | 9/1968  | Funahashi      | ..... | 101/327 |
| D367,290  | S *  | 2/1996  | Sculler et al. | ..... | D18/15  |
| D425,546  | S *  | 5/2000  | Lee            | ..... | D18/15  |
| D427,233  | S *  | 6/2000  | Faber          | ..... | D18/15  |
| 6,189,450 | B1 * | 2/2001  | Shih           | ..... | 101/327 |
| D444,808  | S *  | 7/2001  | Dour et al.    | ..... | D18/15  |
| D451,945  | S *  | 12/2001 | MacNeil et al. | ..... | D18/15  |
| D452,262  | S *  | 12/2001 | MacNeil et al. | ..... | D18/15  |
| D492,957  | S *  | 7/2004  | Wei            | ..... | D18/15  |
| D493,191  | S *  | 7/2004  | Sculler et al. | ..... | D18/15  |
| D493,192  | S *  | 7/2004  | Sculler et al. | ..... | D18/15  |
| 6,834,584 | B1 * | 12/2004 | MacNeil        | ..... | 101/333 |

|           |      |         |          |       |         |
|-----------|------|---------|----------|-------|---------|
| 6,945,172 | B1 * | 9/2005  | Shih     | ..... | 101/333 |
| D513,037  | S *  | 12/2005 | Faber    | ..... | D18/15  |
| D518,087  | S *  | 3/2006  | Shih     | ..... | D18/15  |
| D518,506  | S *  | 4/2006  | Faber    | ..... | D18/15  |
| 7,096,785 | B2 * | 8/2006  | Petersen | ..... | 101/333 |
| D538,840  | S *  | 3/2007  | Shih     | ..... | D18/15  |
| D539,836  | S *  | 4/2007  | Faber    | ..... | D18/15  |
| D545,352  | S *  | 6/2007  | Treml    | ..... | D18/15  |
| D545,353  | S *  | 6/2007  | Treml    | ..... | D18/15  |
| 7,334,521 | B2 * | 2/2008  | Moody    | ..... | 101/333 |
| D568,381  | S *  | 5/2008  | Shih     | ..... | D18/15  |
| 7,389,727 | B2 * | 6/2008  | Faber    | ..... | 101/334 |

\* cited by examiner

*Primary Examiner*—Charles A Rademaker

(74) *Attorney, Agent, or Firm*—Pearne & Gordon LLP

(57) **CLAIM**

The ornamental design for a self-inking stamp, as shown.

**DESCRIPTION**

FIG. 1 is a perspective view of a self-inking stamp showing my new design;

FIG. 2 is a front view thereof;

FIG. 3 is a rear view thereof;

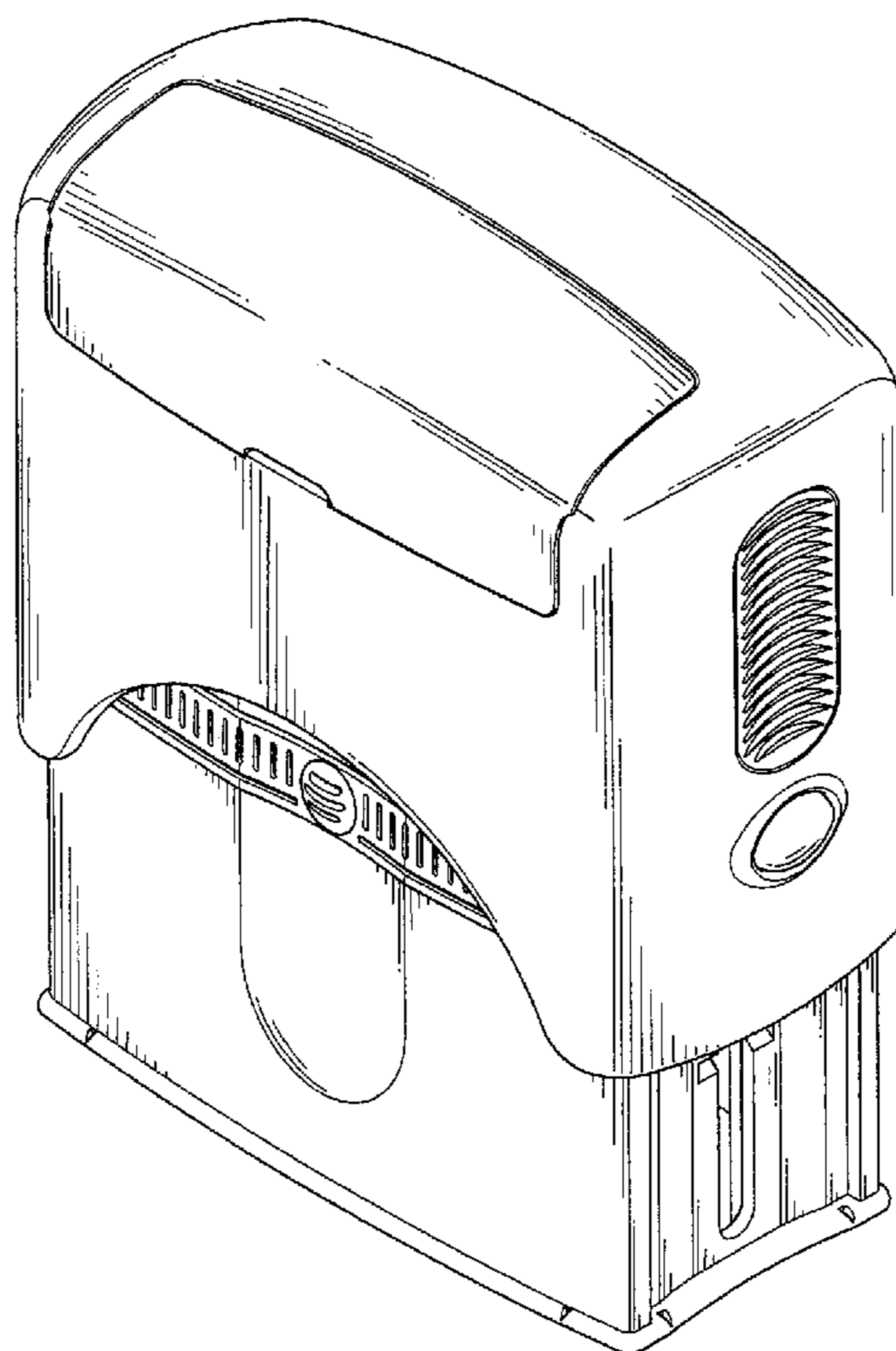
FIG. 4 is a left side view thereof;

FIG. 5 is a right side view thereof;

FIG. 6 is top view thereof; and,

FIG. 7 is a bottom view thereof.

**1 Claim, 5 Drawing Sheets**



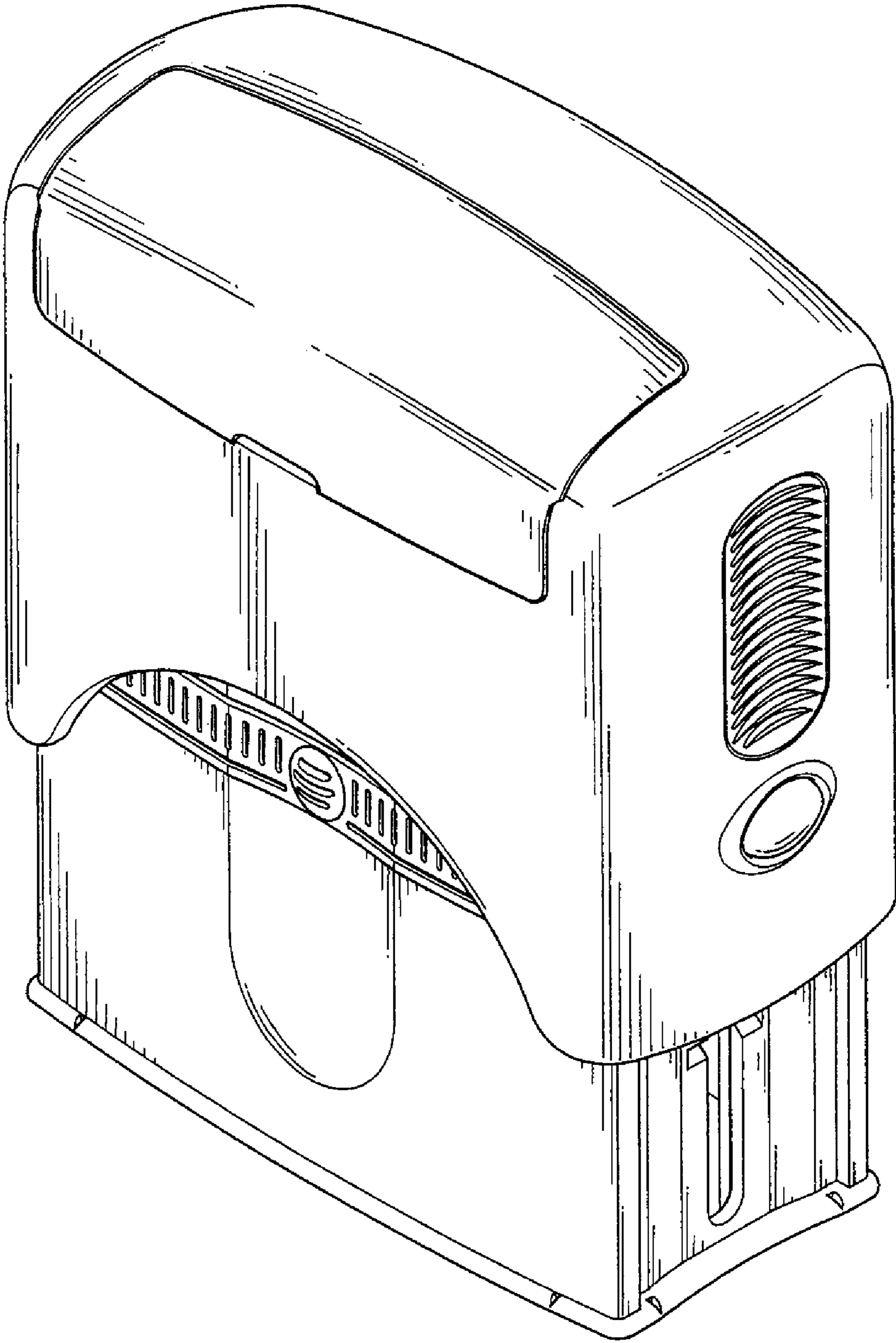


FIG. 1

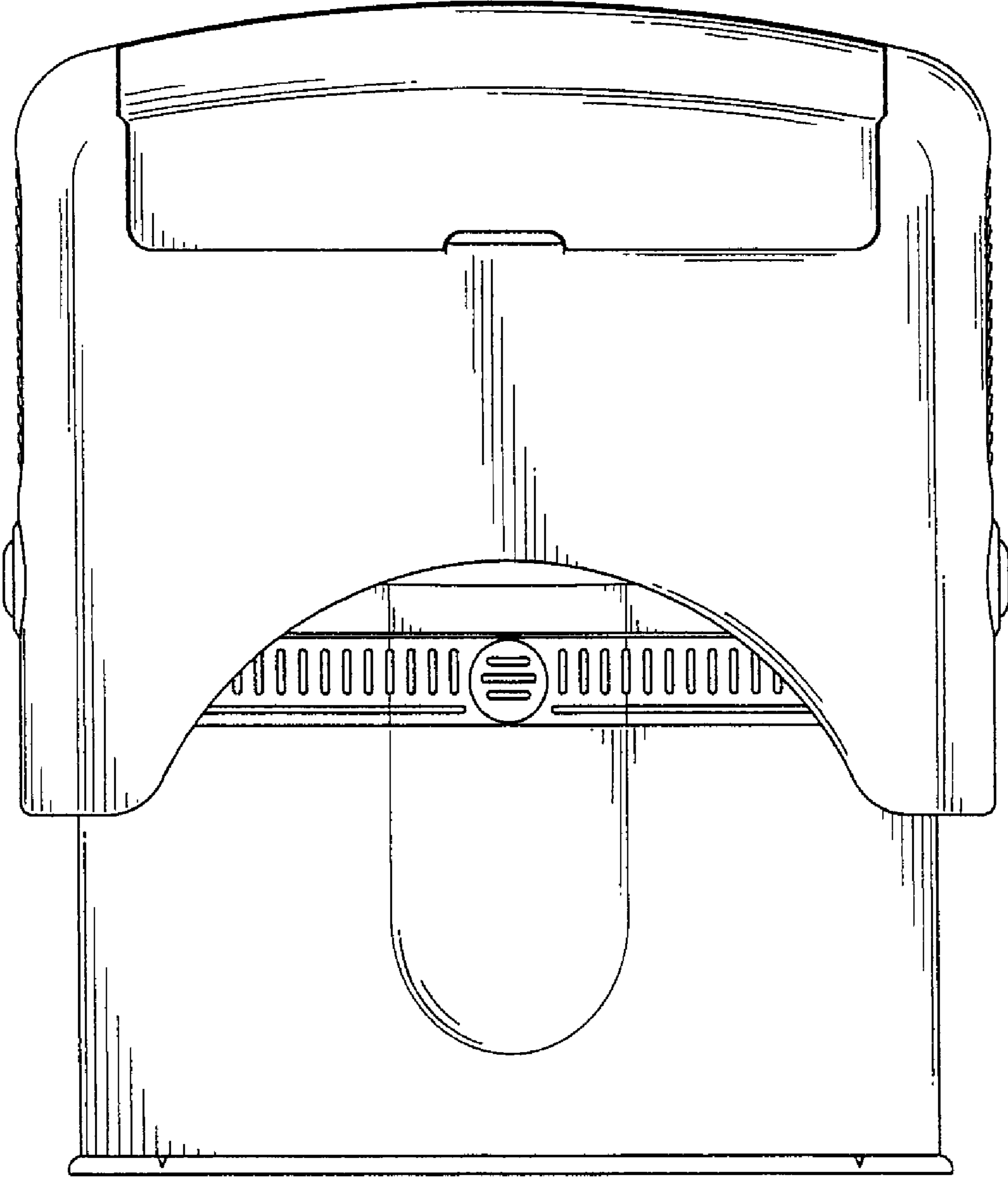


FIG.2

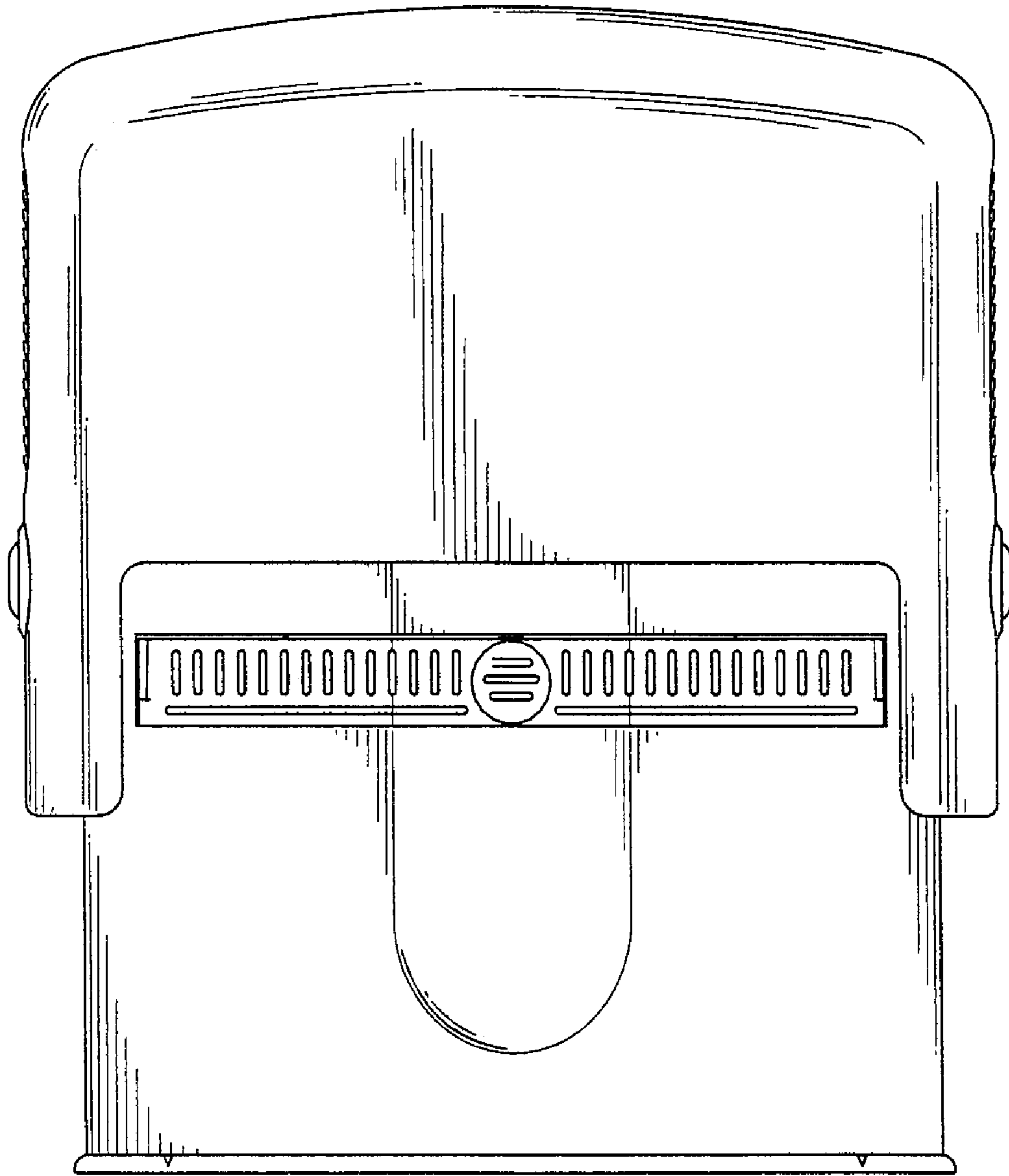


FIG.3

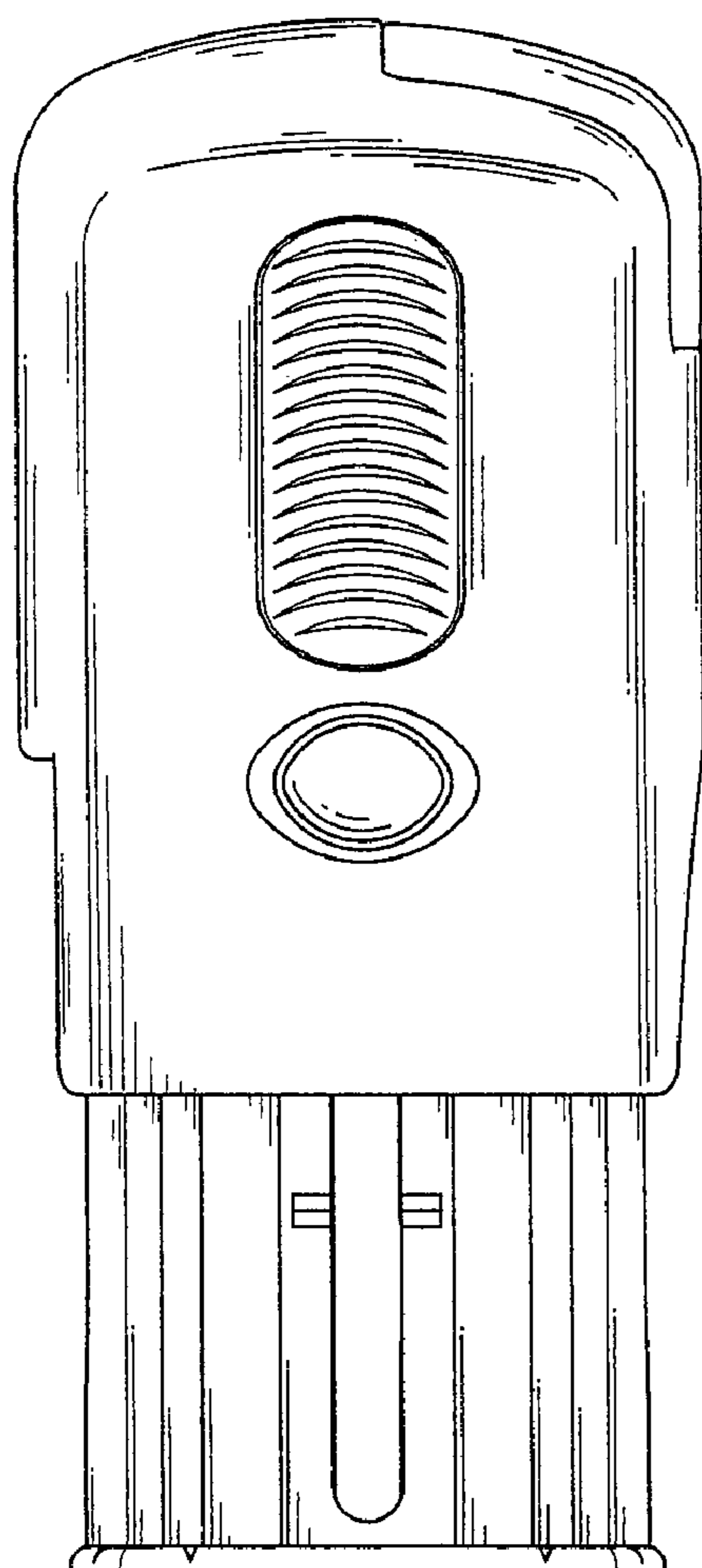


FIG. 4

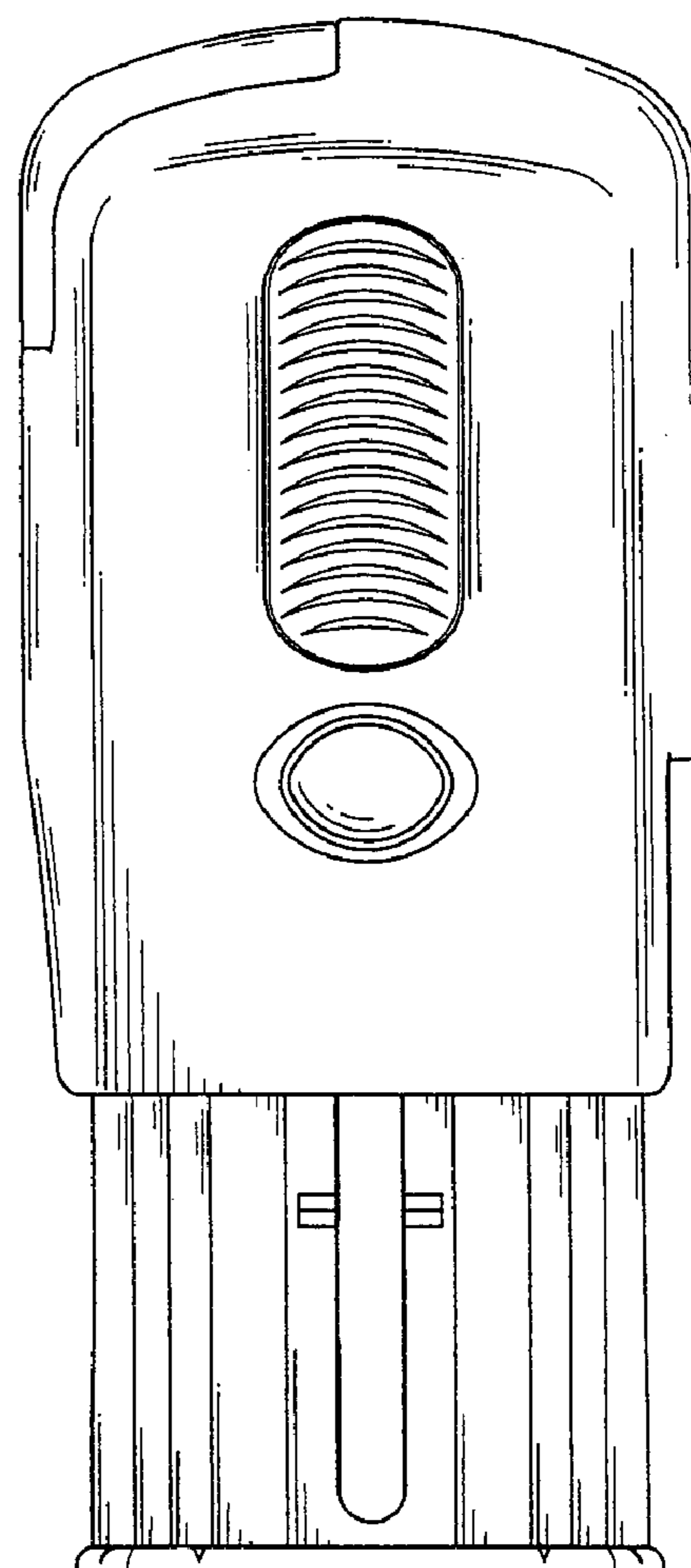


FIG. 5

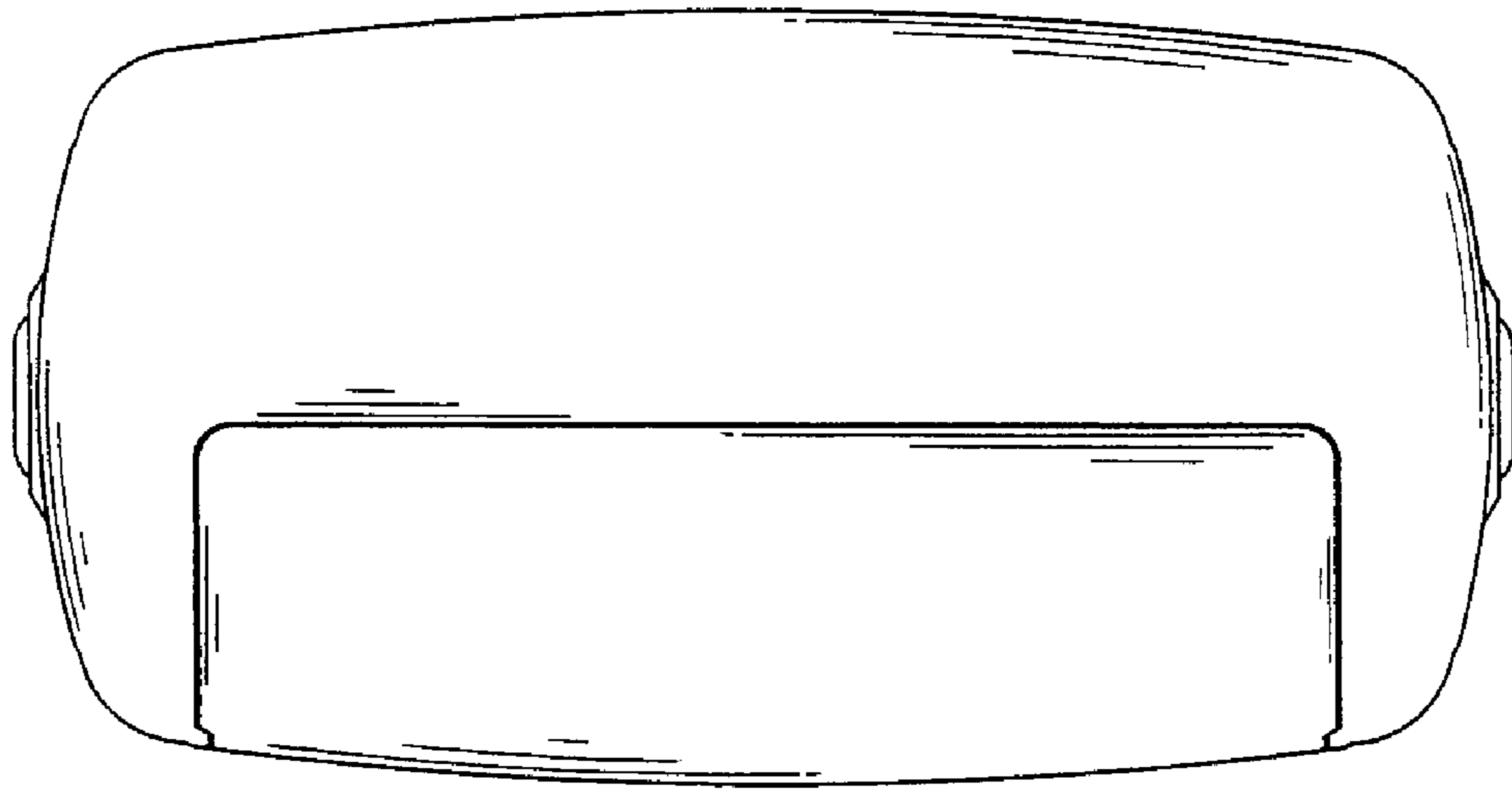


FIG. 6

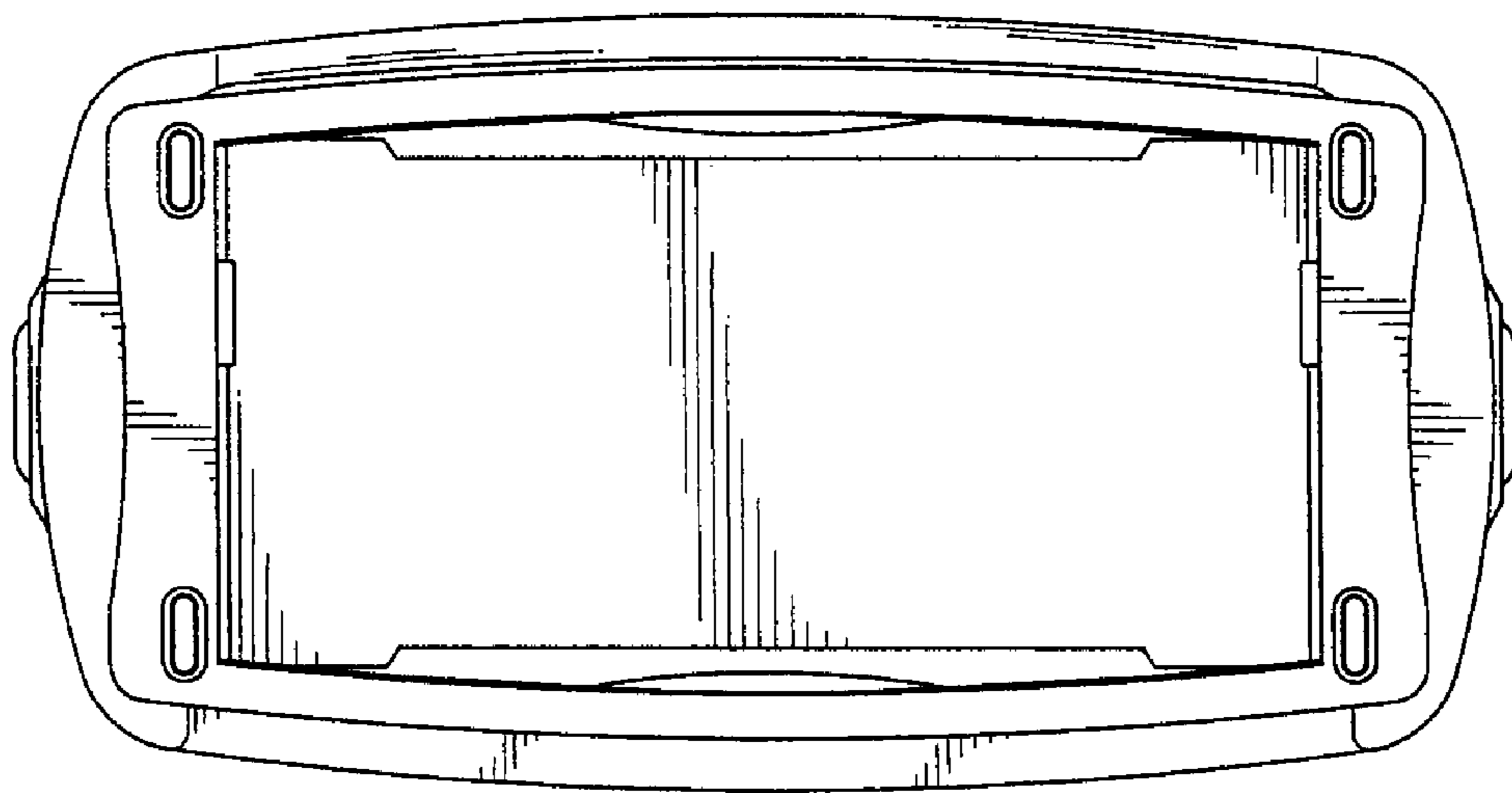


FIG. 7