



US00D585084S

(12) **United States Design Patent**
Yamamoto et al.

(10) **Patent No.:** **US D585,084 S**
(45) **Date of Patent:** **** Jan. 20, 2009**

(54) **DIGITAL CAMERA**

2006/0125933 A1* 6/2006 Kim 348/375

(75) Inventors: **Yozo Yamamoto**, Fuchu (JP); **Yosuke Nagayama**, Tokyo (JP)

* cited by examiner

(73) Assignee: **Casio Keisanki Kabushiki Kaisha**, Tokyo (JP)

Primary Examiner—Adir Aronovich
(74) *Attorney, Agent, or Firm*—Frishauf, Holtz, Goodman & Chick, P.C.

(**) Term: **14 Years**

(57) **CLAIM**

(21) Appl. No.: **29/301,723**

The ornamental design for a digital camera, as shown and described.

(22) Filed: **Mar. 13, 2008**

DESCRIPTION

(51) **LOC (9) Cl.** **16-01**

(52) **U.S. Cl.** **D16/202**

(58) **Field of Classification Search** D16/200–204,
D16/208, 218, 219; 349/373–376; 358/909.1;
396/535–541

See application file for complete search history.

FIG. 1 is a front, right side, top perspective view of a digital camera showing our new design;

FIG. 2 is a front elevational view thereof;

FIG. 3 is a rear elevational view thereof;

FIG. 4 is a left side view thereof;

FIG. 5 is a right side view thereof;

FIG. 6 is a top plan view thereof;

FIG. 7 is a bottom plan view thereof; and,

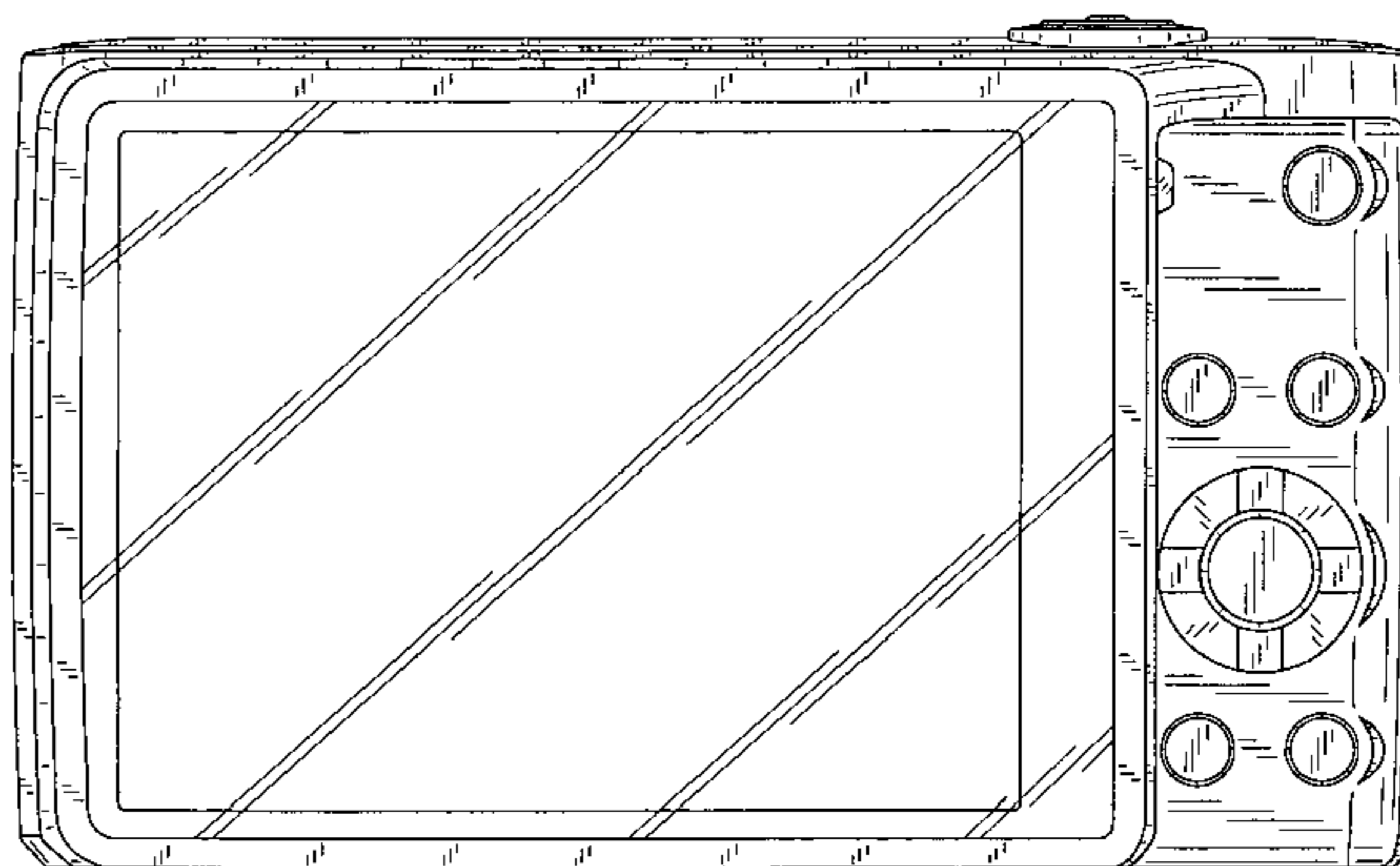
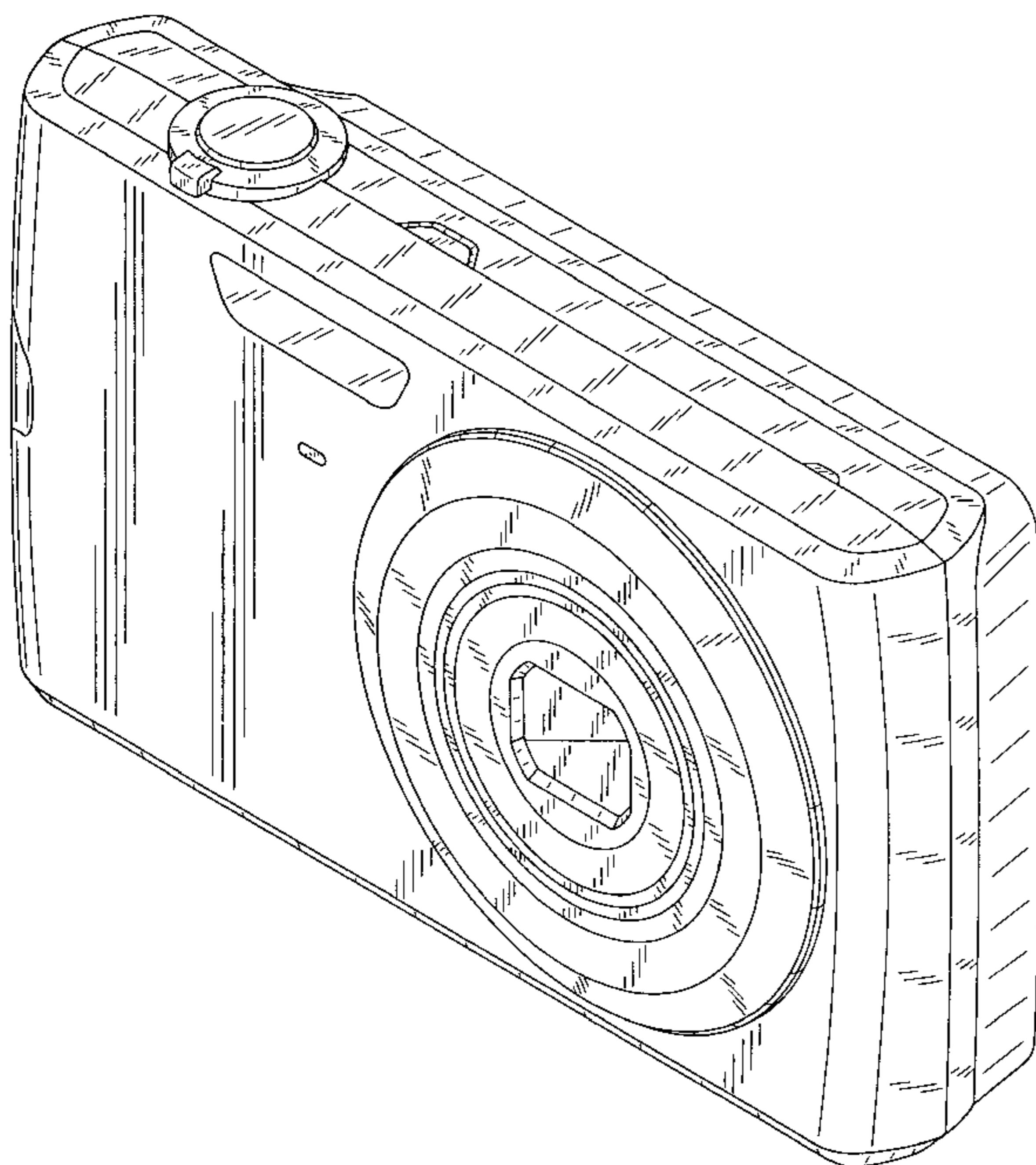
FIG. 8 is a perspective view thereof showing the zoom lens extended.

(56) **References Cited**

U.S. PATENT DOCUMENTS

D531,652 S *	11/2006	Ogino et al.	D16/202
D547,343 S *	7/2007	Sato	D16/202
D554,679 S *	11/2007	Nagayama et al.	D16/202
D561,219 S *	2/2008	Nagayama et al.	D16/202
D568,358 S *	5/2008	Shimobayashi	D16/202

1 Claim, 5 Drawing Sheets



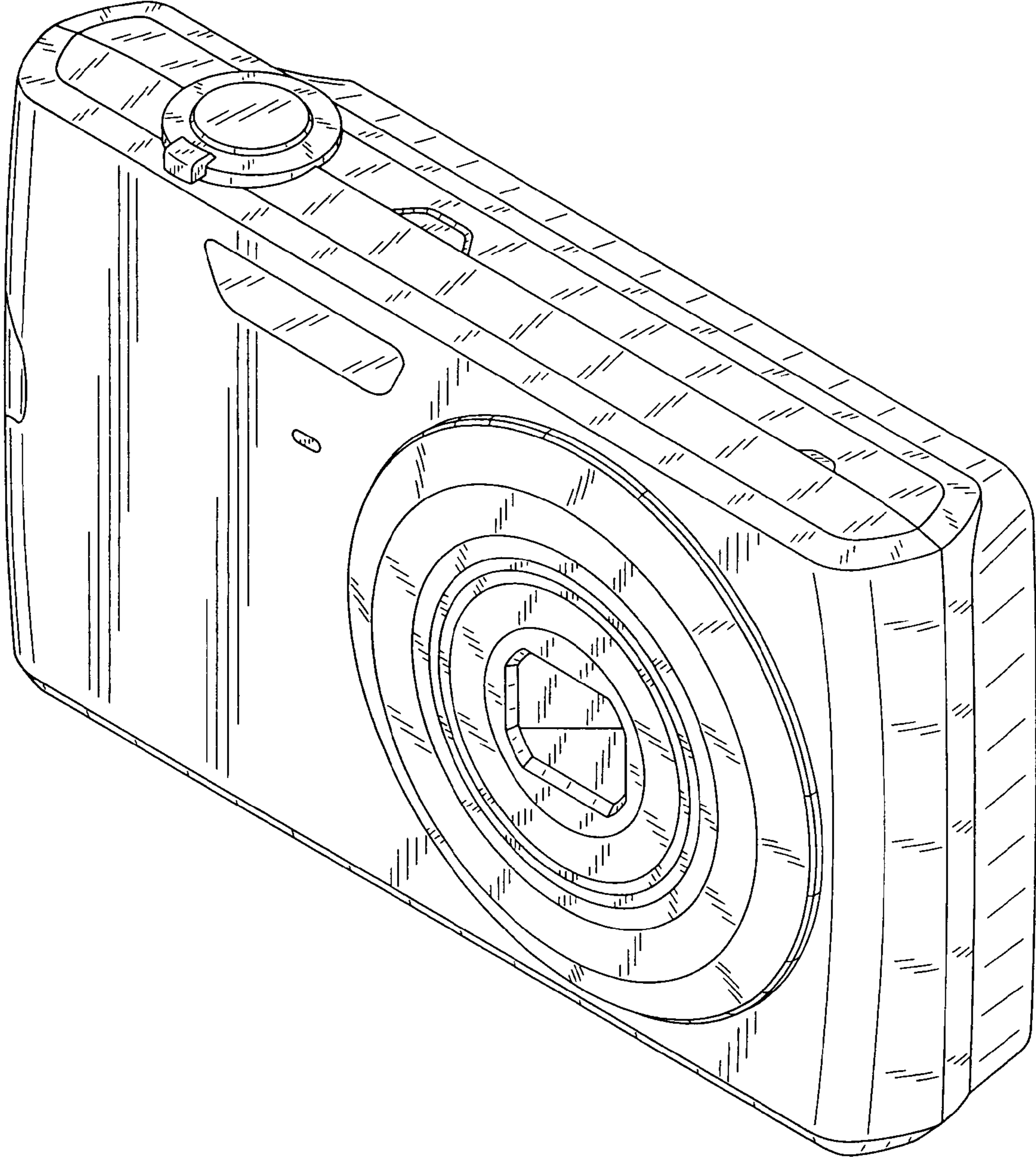


FIG. 1

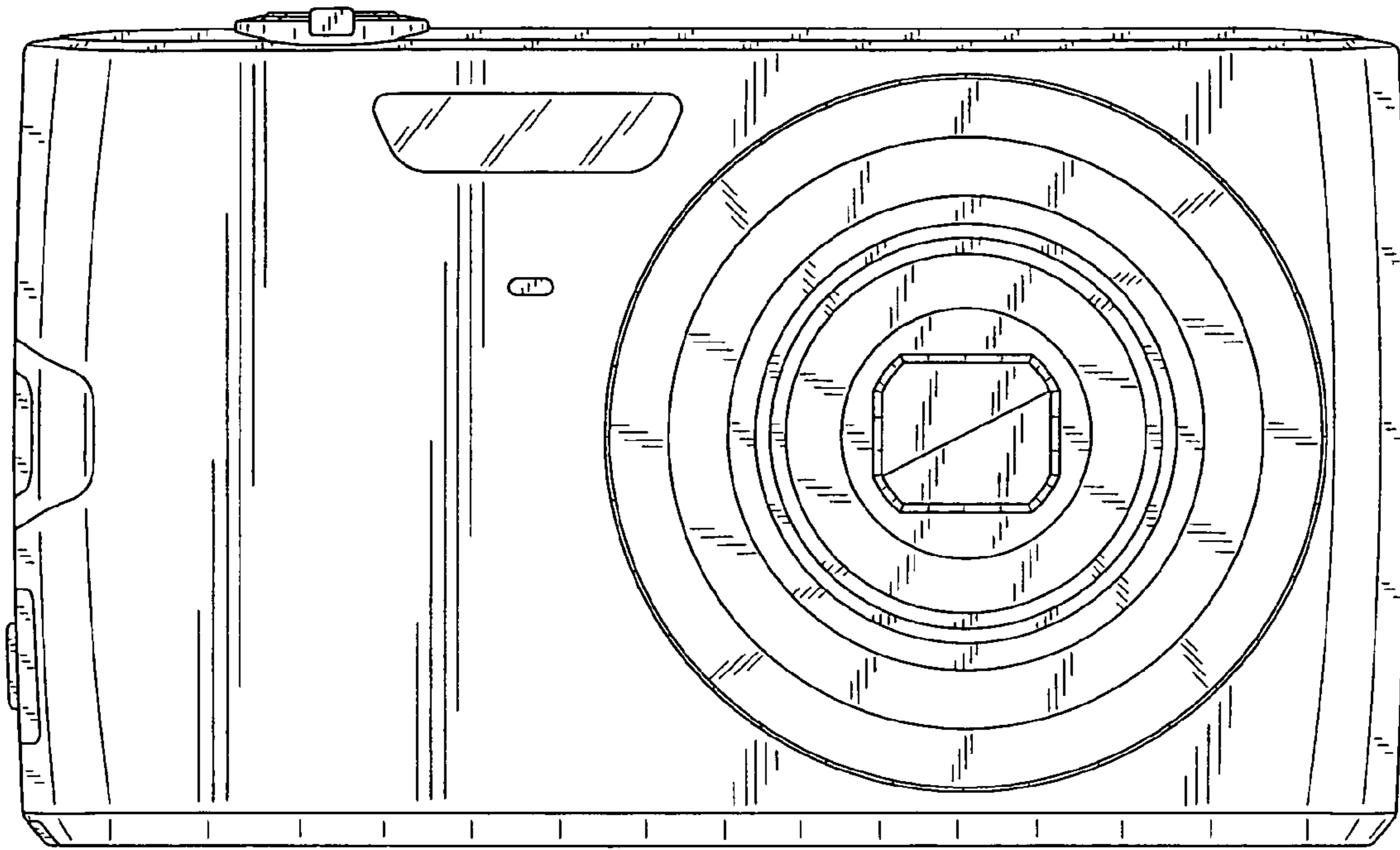


FIG. 2

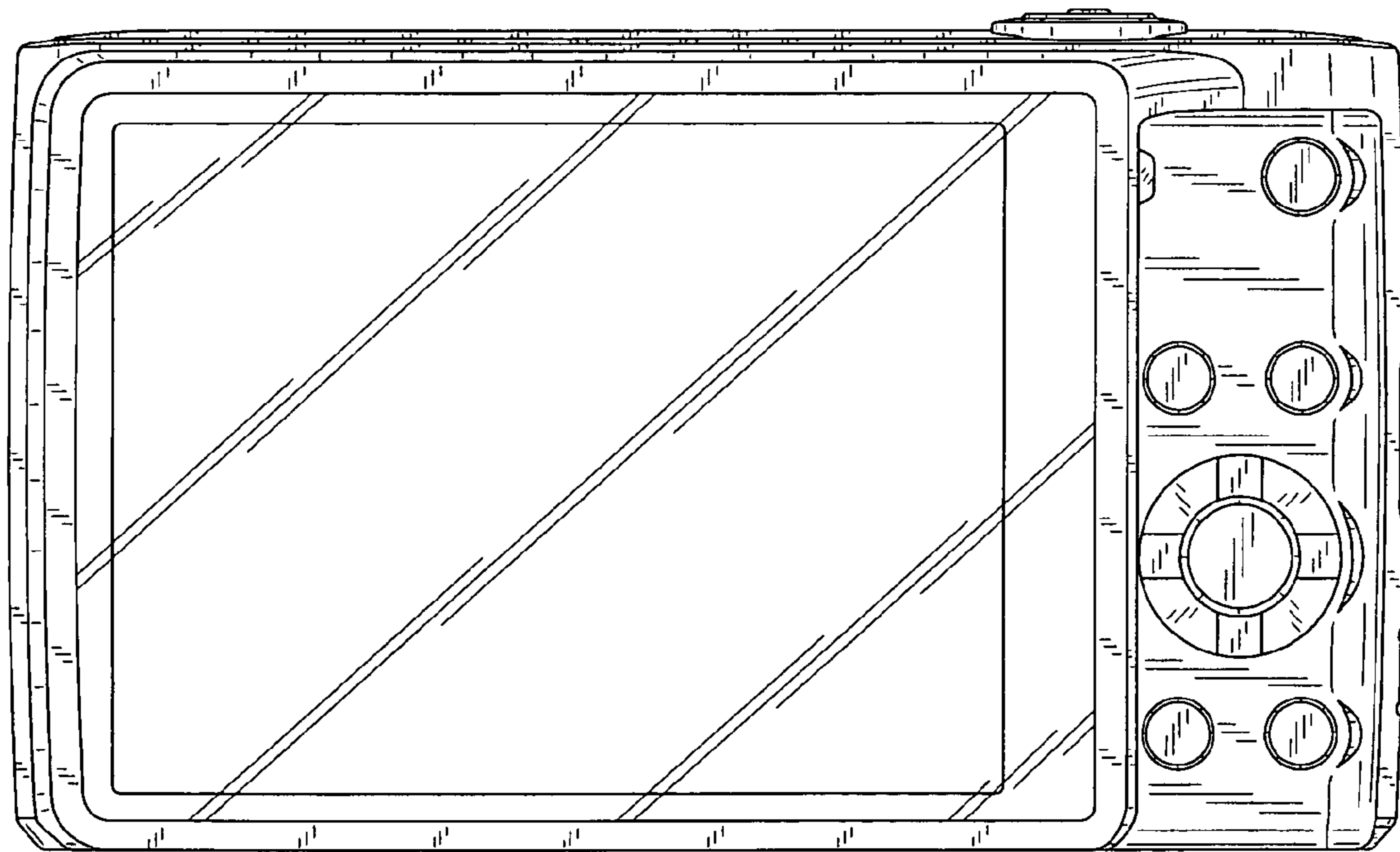


FIG. 3

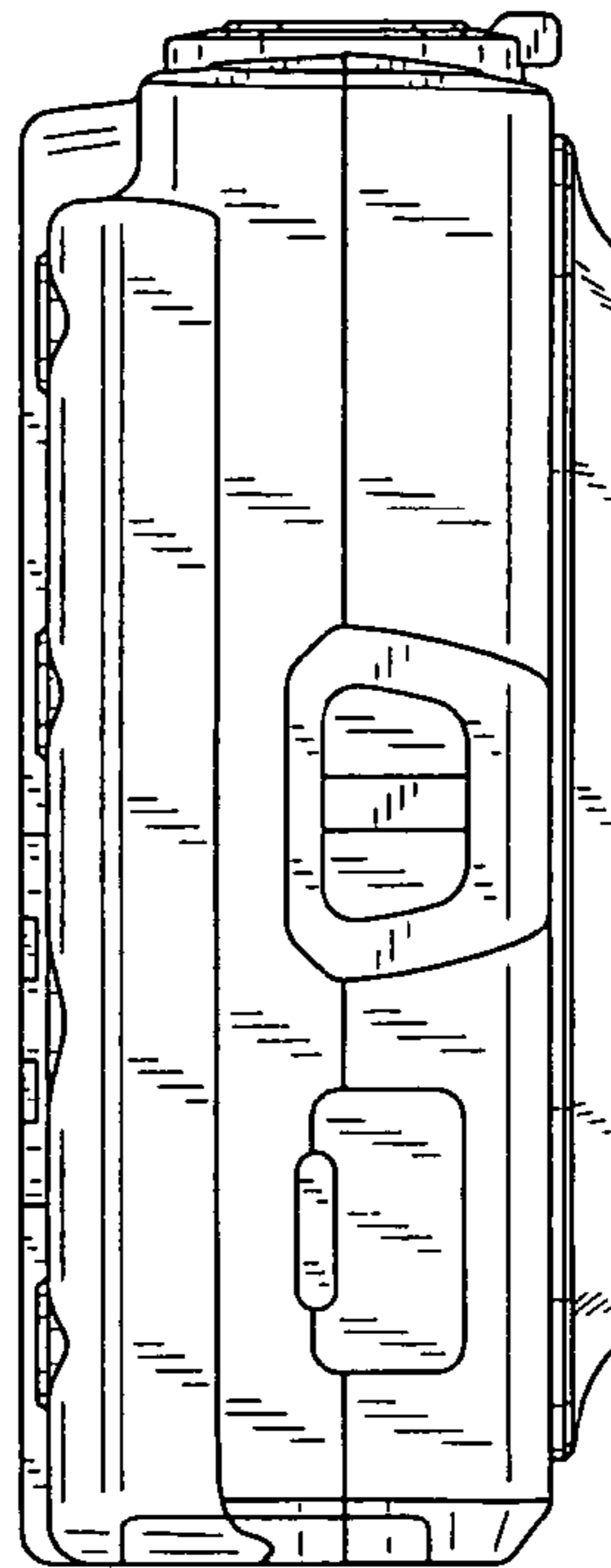


FIG. 4

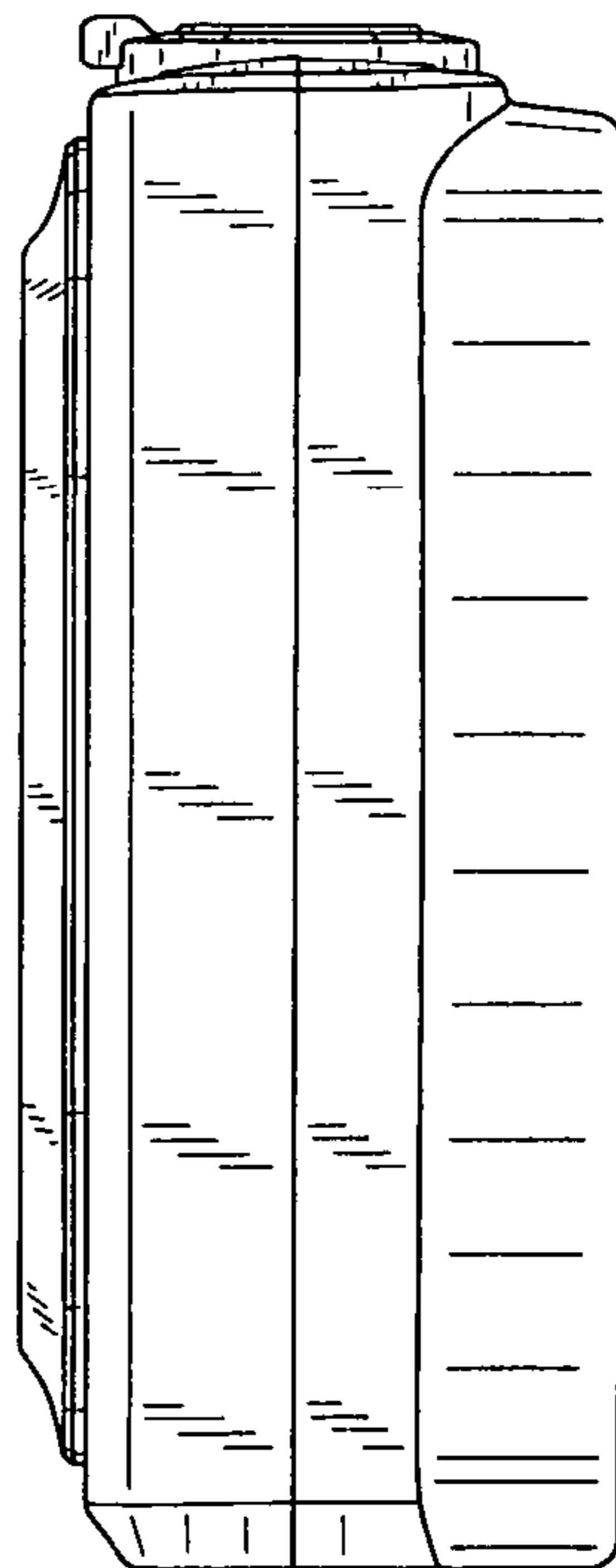


FIG. 5

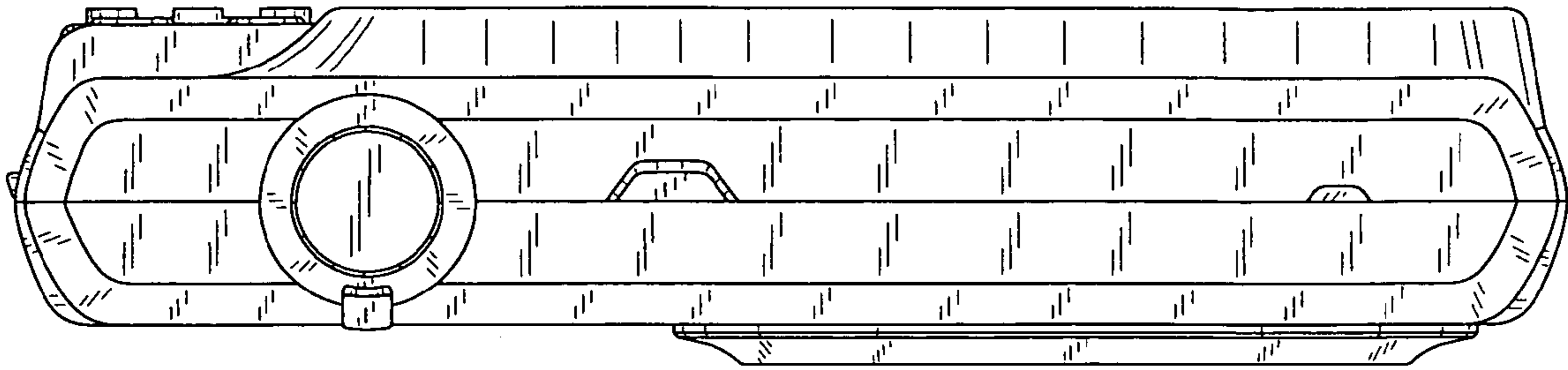


FIG. 6

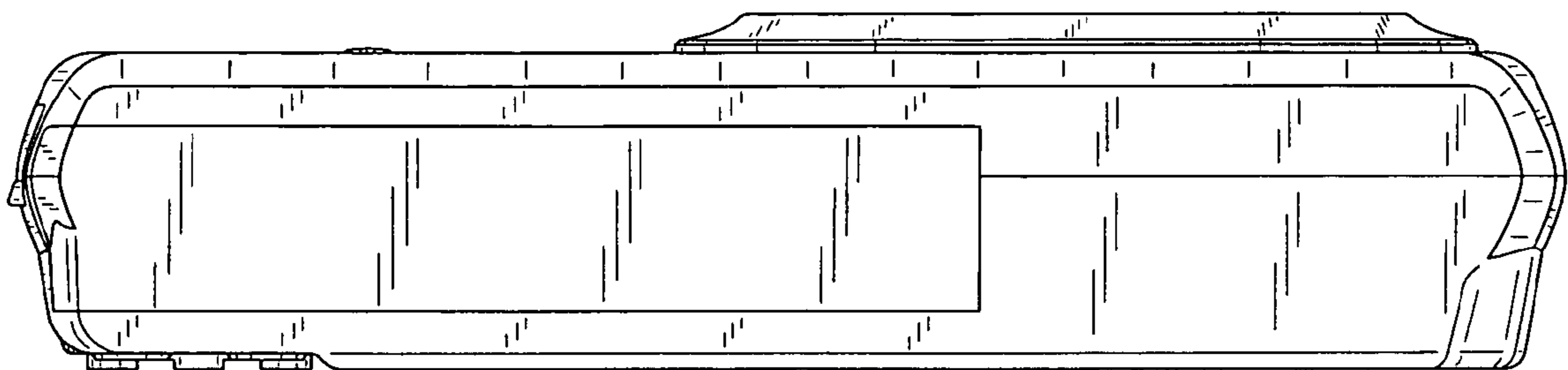


FIG. 7

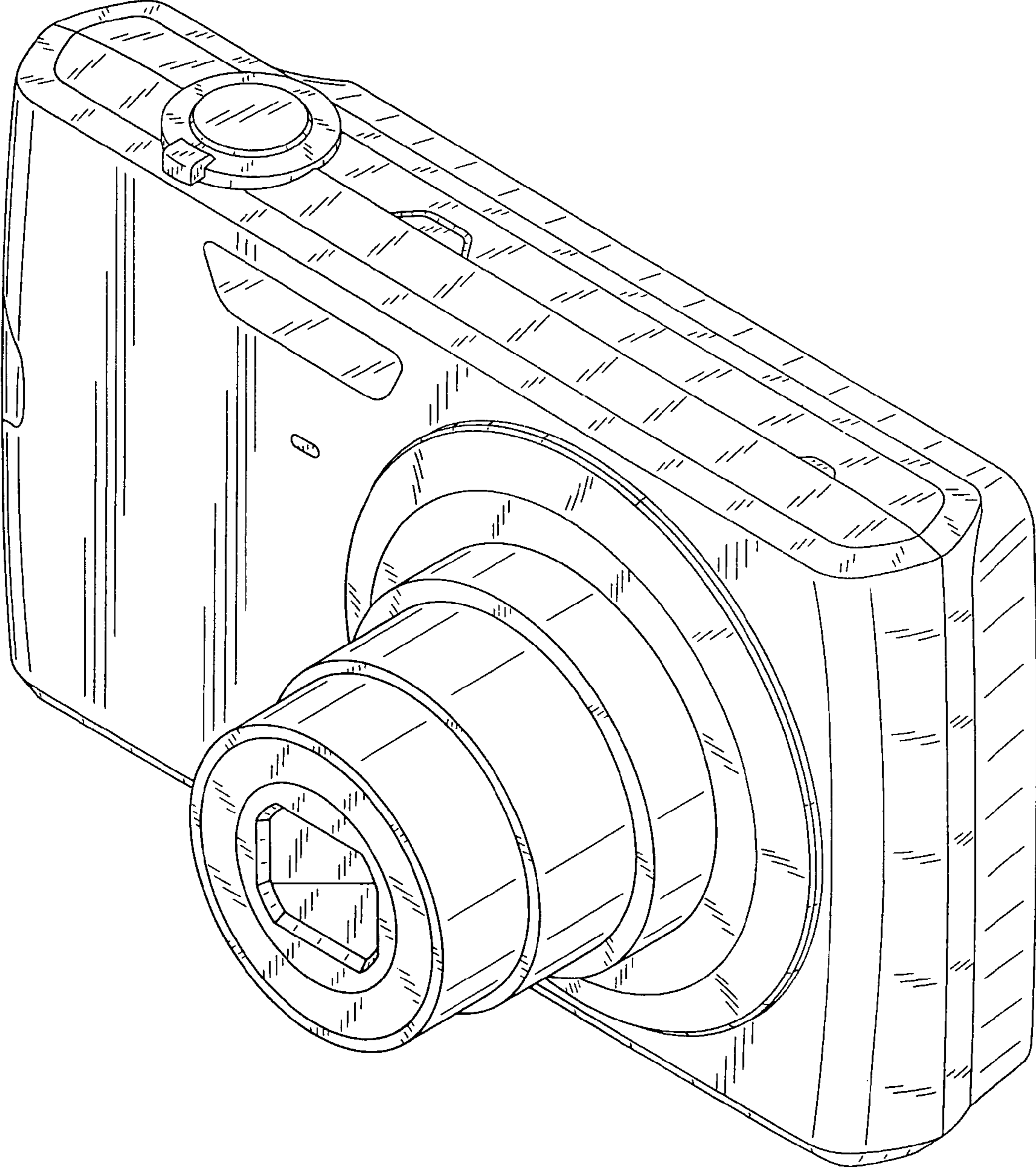


FIG. 8