



US00D585083S

(12) **United States Design Patent**
Nakajima

(10) **Patent No.:** **US D585,083 S**
(45) **Date of Patent:** **** Jan. 20, 2009**

(54) **DIGITAL CAMERA**

(75) Inventor: **Kenzo Nakajima**, Hachioji (JP)

(73) Assignee: **Olympus Imaging Corp.**, Tokyo (JP)

(**) Term: **14 Years**

(21) Appl. No.: **29/294,954**

(22) Filed: **Feb. 4, 2008**

(30) **Foreign Application Priority Data**

Jan. 11, 2008 (JP) 2008-000381

(51) **LOC (9) Cl.** **16-01**

(52) **U.S. Cl.** **D16/202**

(58) **Field of Classification Search** D16/200–204,
D16/218; 348/373–376; 358/909.1; 396/535–541
See application file for complete search history.

(56) **References Cited**

U.S. PATENT DOCUMENTS

D508,711 S *	8/2005	Suzuki	D16/218
D521,043 S *	5/2006	Takagi	D16/202
D548,255 S *	8/2007	Naito	D16/202
D570,889 S *	6/2008	Nakajima	D16/202
D573,623 S *	7/2008	Nakajima	D16/218
2006/0139457 A1 *	6/2006	Liao	348/373

FOREIGN PATENT DOCUMENTS

JP 1314375 D 11/2007

OTHER PUBLICATIONS

Japanese Office Action (and English translation thereof) dated Sep. 9, 2008, issued in Japanese Design Application No. 2008-000381.

* cited by examiner

Primary Examiner—Adir Aronovich

(74) *Attorney, Agent, or Firm*—Frishauf, Holtz, Goodman & Chick, P.C.

(57) **CLAIM**

The ornamental design for a digital camera, as shown.

DESCRIPTION

FIG. 1 is a front, top and right side perspective view of a digital camera, showing my new design;

FIG. 2 is a rear, top and left side perspective view thereof;

FIG. 3 is a front view thereof;

FIG. 4 is a rear view thereof;

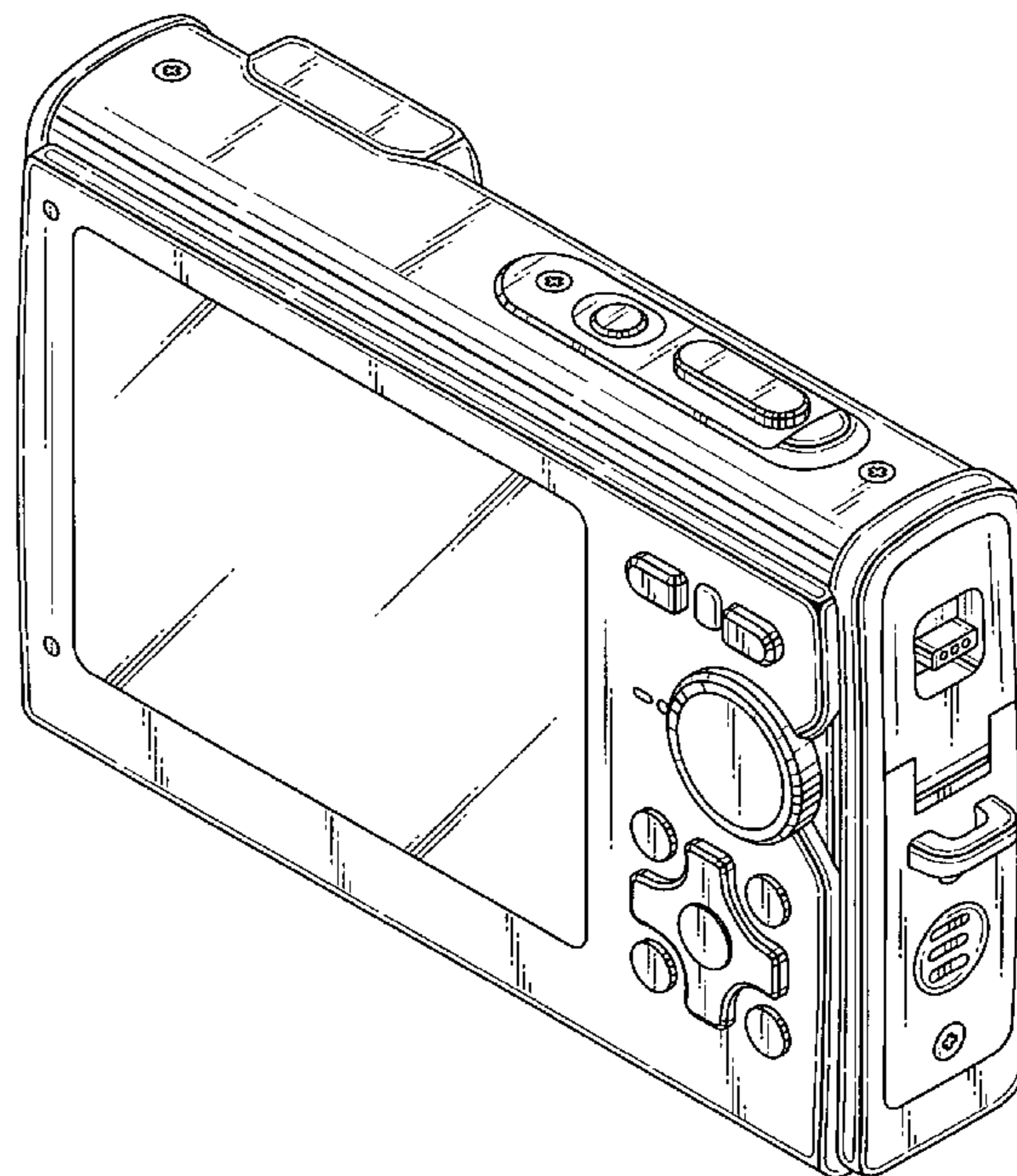
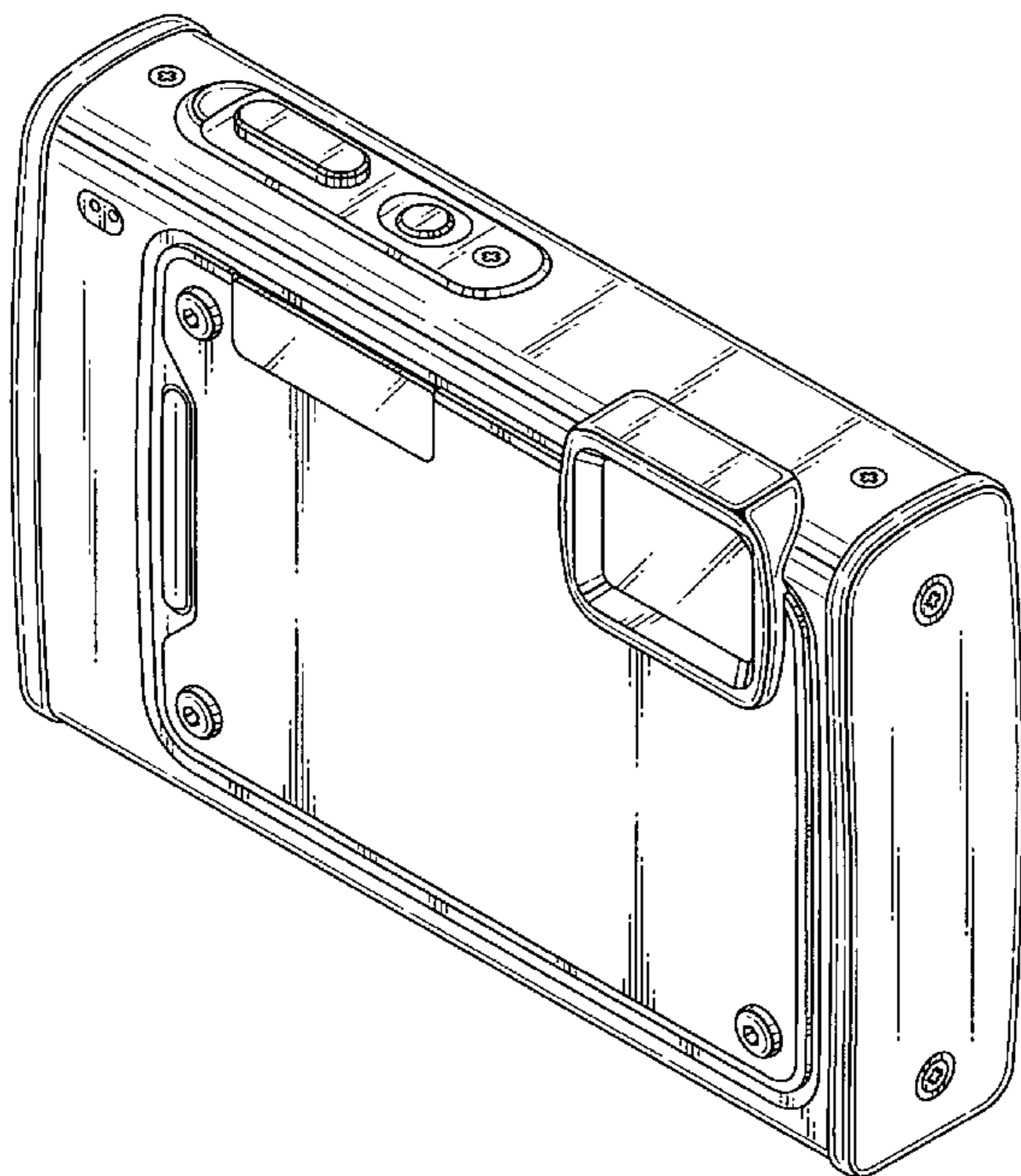
FIG. 5 is a top view thereof;

FIG. 6 is a bottom view thereof;

FIG. 7 is a left side view thereof; and,

FIG. 8 is a right side view thereof.

1 Claim, 5 Drawing Sheets



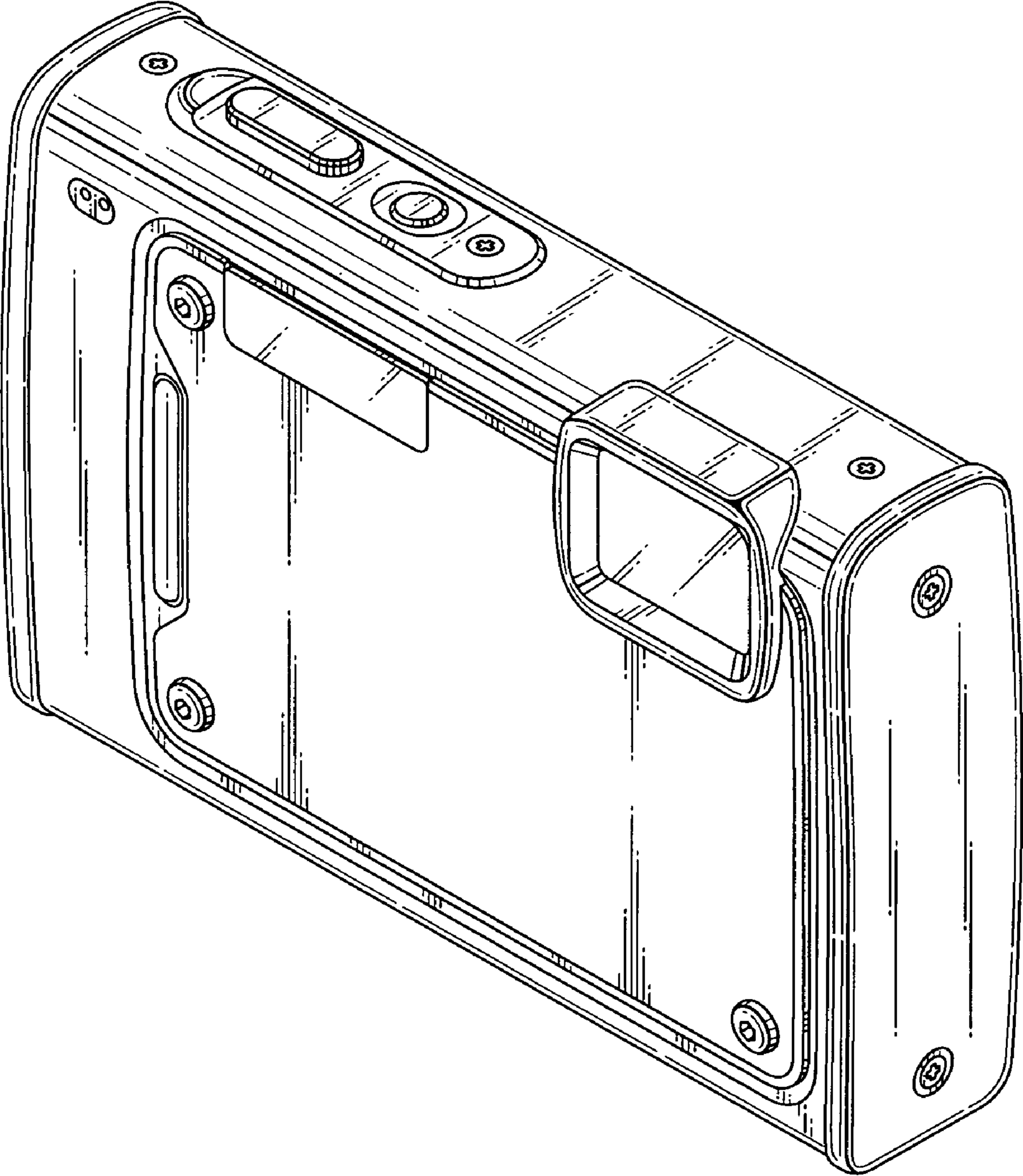


FIG.1

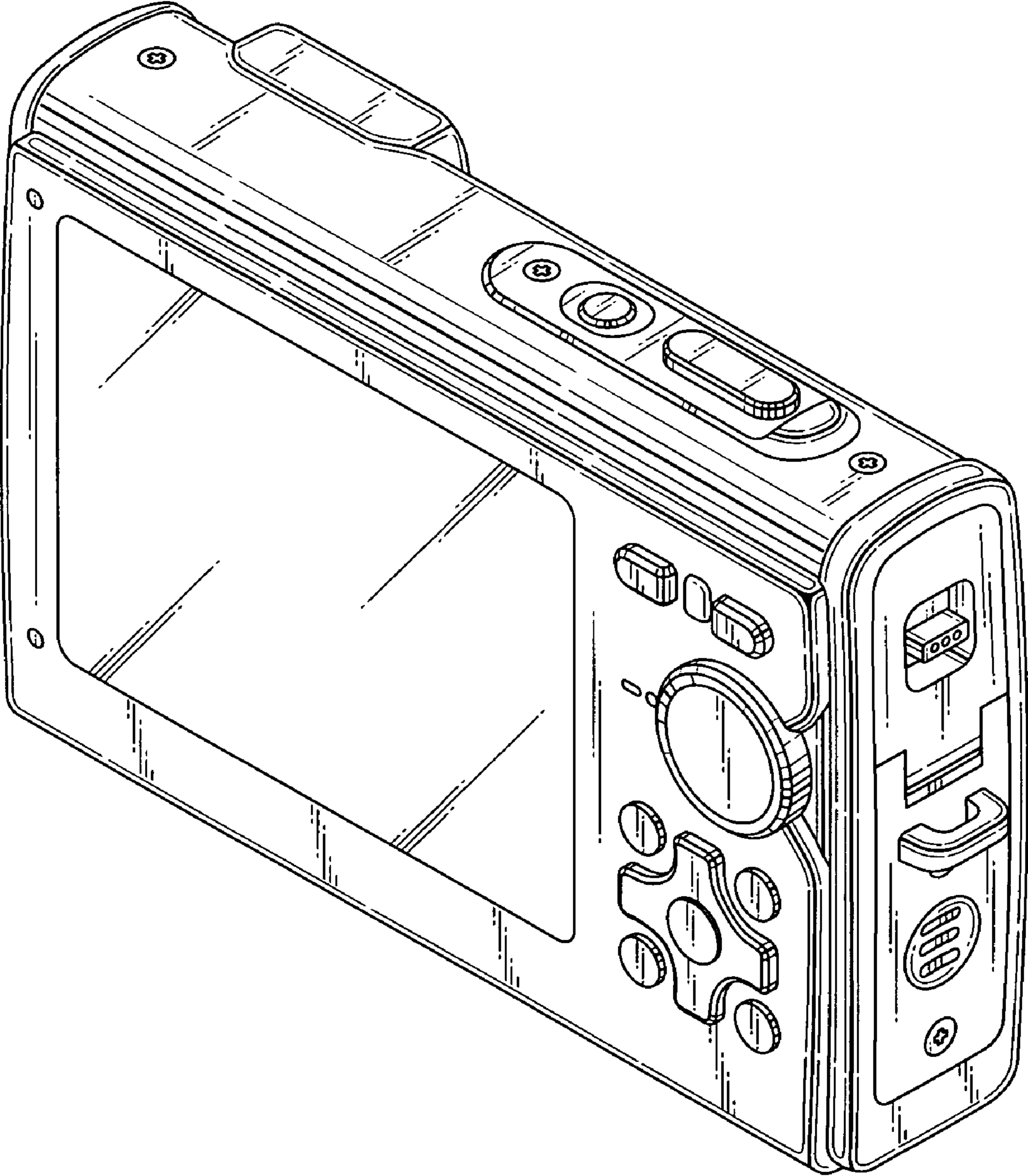


FIG.2

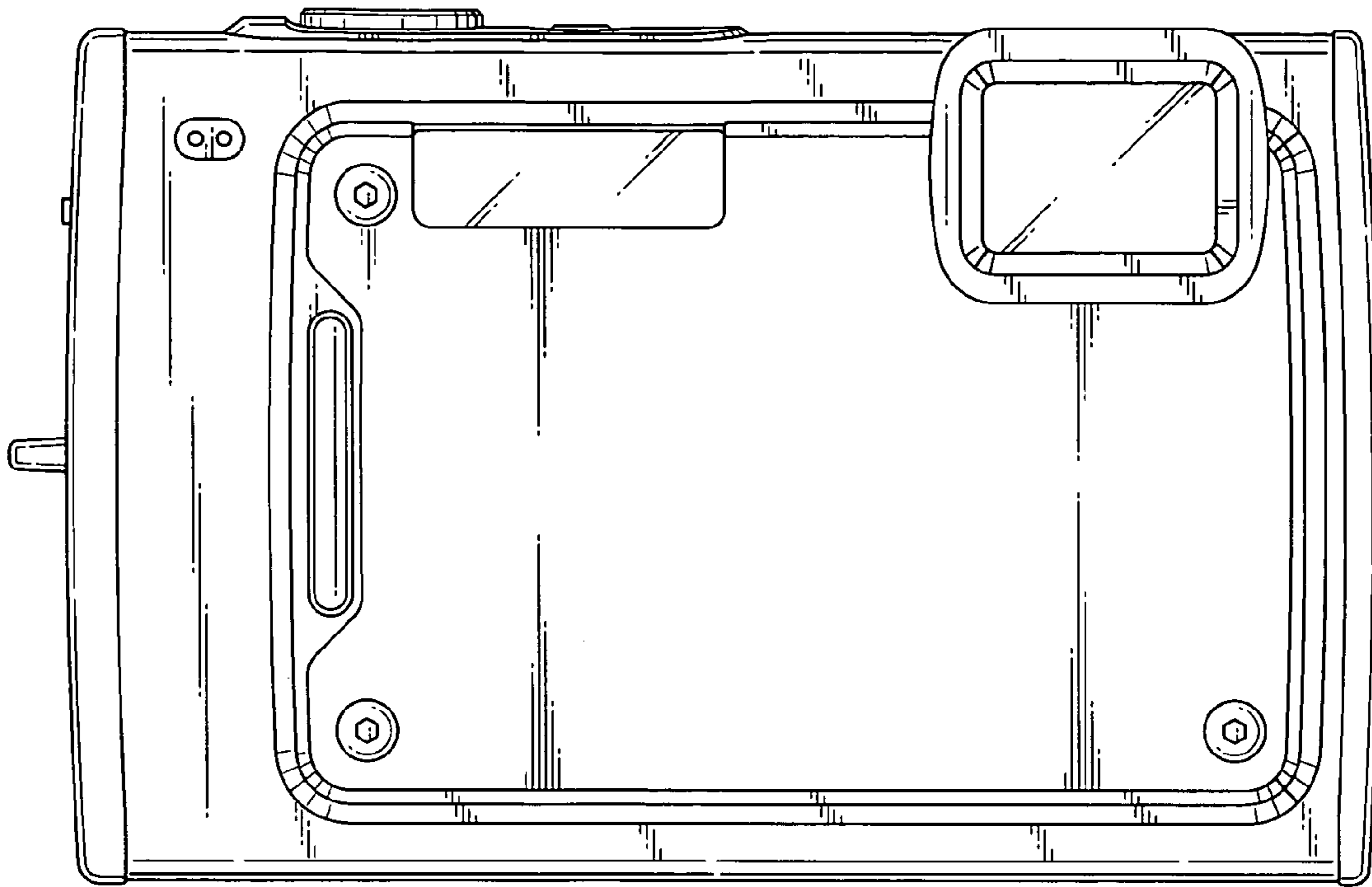


FIG.3

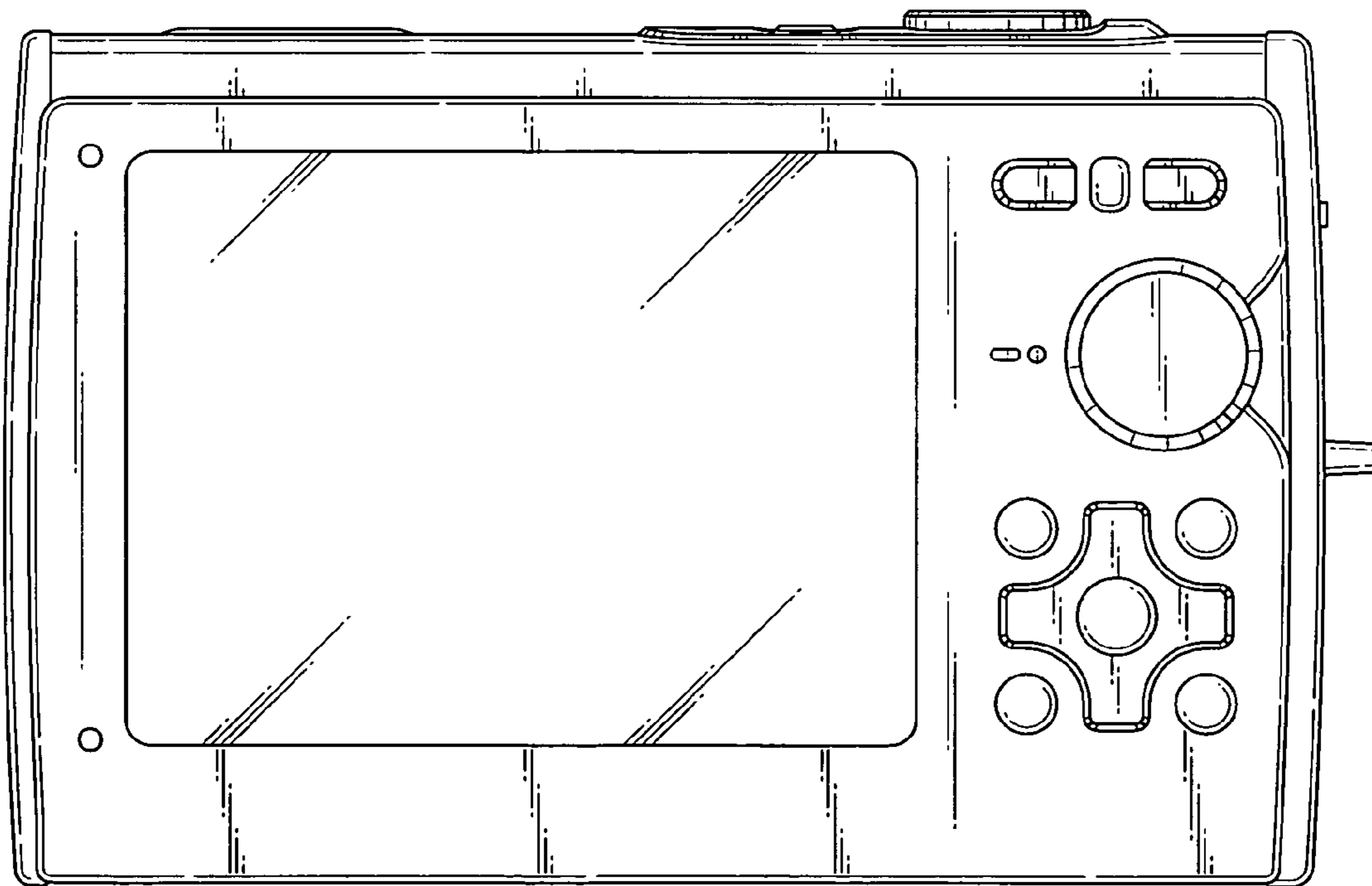


FIG.4

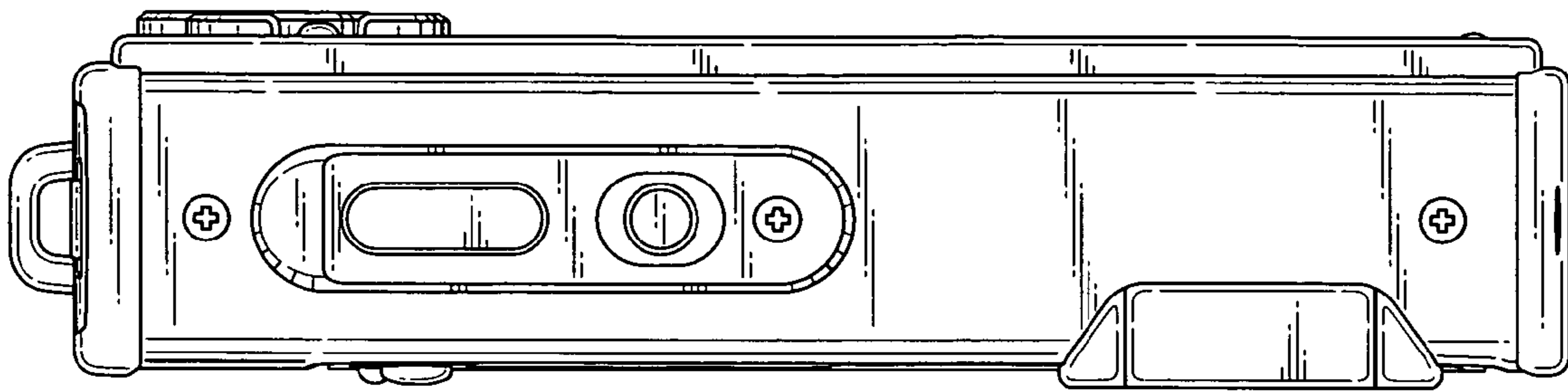


FIG. 5

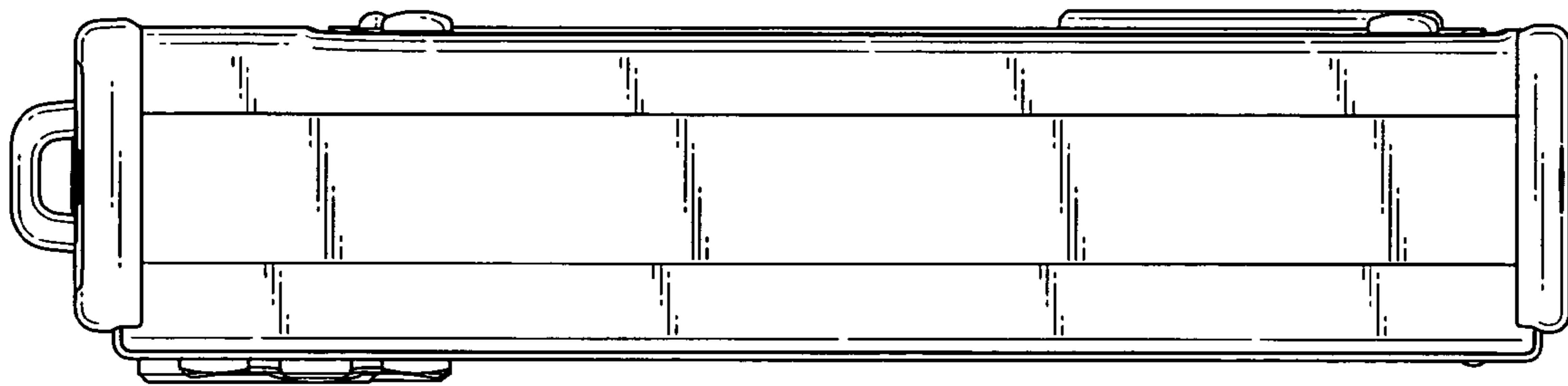


FIG. 6

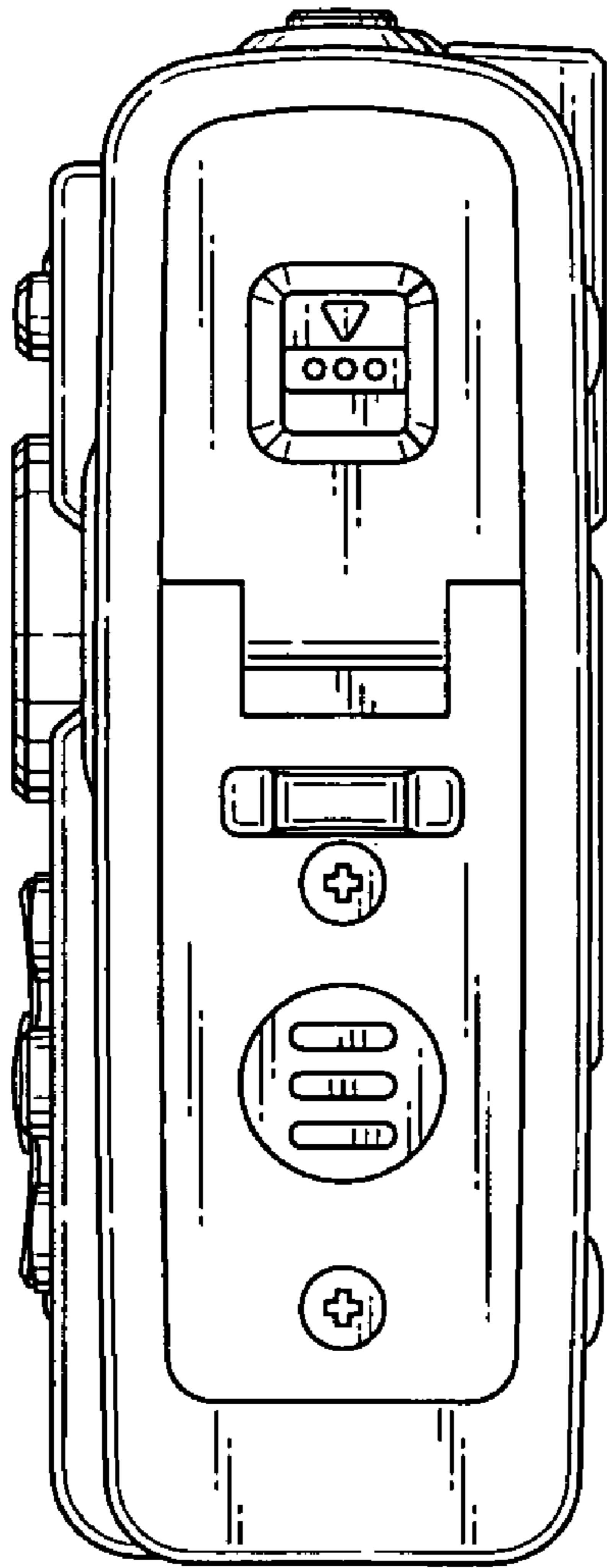


FIG. 7

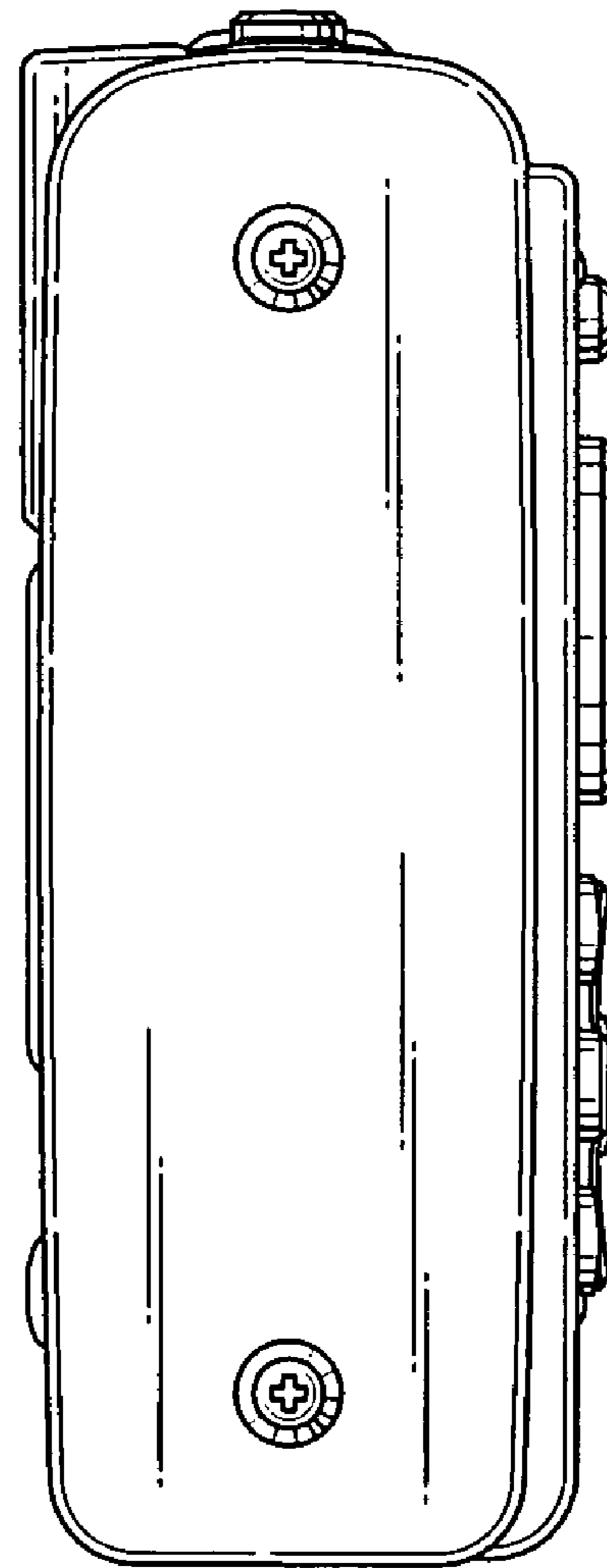


FIG. 8