



US00D585081S

(12) **United States Design Patent**
Corcoran et al.

(10) **Patent No.:** **US D585,081 S**
(45) **Date of Patent:** **** Jan. 20, 2009**

(54) **MOTORIZED ROLLER DIE CUTTING MACHINE**

(75) Inventors: **Kevin L. Corcoran**, Mission Viejo, CA (US); **Robert E. Smathers**, Anaheim, CA (US)

(73) Assignee: **Ellison Educational Equipment, Inc.**, Lake Forest, CA (US)

(**) Term: **14 Years**

(21) Appl. No.: **29/308,244**

(22) Filed: **Jun. 6, 2008**

(51) **LOC (9) Cl.** **15-08**

(52) **U.S. Cl.** **D15/128**

(58) **Field of Classification Search** D15/123, D15/127, 128, 135, 136; 83/512, 547, 563; 100/210, 211, 233, 245, 282, 295, 902
See application file for complete search history.

(56) **References Cited**

U.S. PATENT DOCUMENTS

- 896,478 A * 8/1908 Stockman
- 3,094,889 A * 6/1963 Elsa
- D211,608 S * 7/1968 Gray
- 3,581,617 A * 6/1971 Lysobey
- D364,881 S * 12/1995 Benes
- 5,647,260 A * 7/1997 Nability
- D508,701 S * 8/2005 Corcoran
- D534,932 S * 1/2007 Corcoran

- D542,310 S * 5/2007 Corcoran
- 2002/0180113 A1 * 12/2002 Sullivan
- 2005/0061168 A1 * 3/2005 Corcoran
- 2005/0268761 A1 * 12/2005 Corcoran
- 2007/0051221 A1 * 3/2007 Corcoran
- 2007/0214972 A1 * 9/2007 Ayala et al. 100/176

* cited by examiner

Primary Examiner—Sandra Snapp

Assistant Examiner—Patricia Palasik

(74) *Attorney, Agent, or Firm*—Morland C. Fischer

(57) **CLAIM**

The ornamental design for a motorized roller die cutting machine, as shown and described.

DESCRIPTION

FIG. 1 is a perspective view showing the top, left side and front of a motorized roller die cutting machine which forms our new design;

FIG. 2 is a left side elevational view thereof;

FIG. 3 is a right side elevational view thereof;

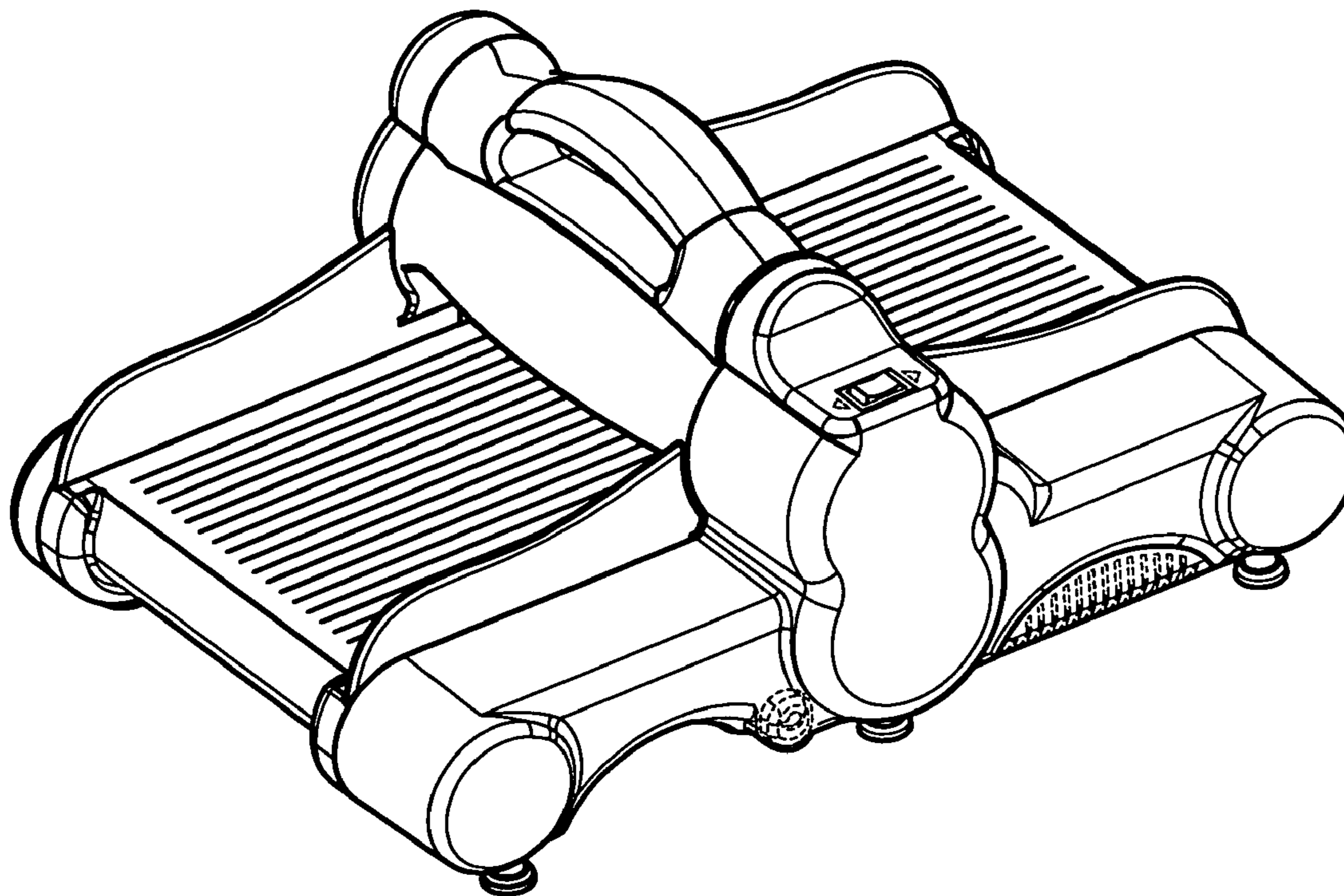
FIG. 4 is a top plan view thereof;

FIG. 5 is a rear elevational view thereof; and,

FIG. 6 is a front elevational view thereof.

Portions of the motorized die cutting machine shown in broken lines in the figures are for illustrative purposes only and form no part of the claimed design.

1 Claim, 4 Drawing Sheets



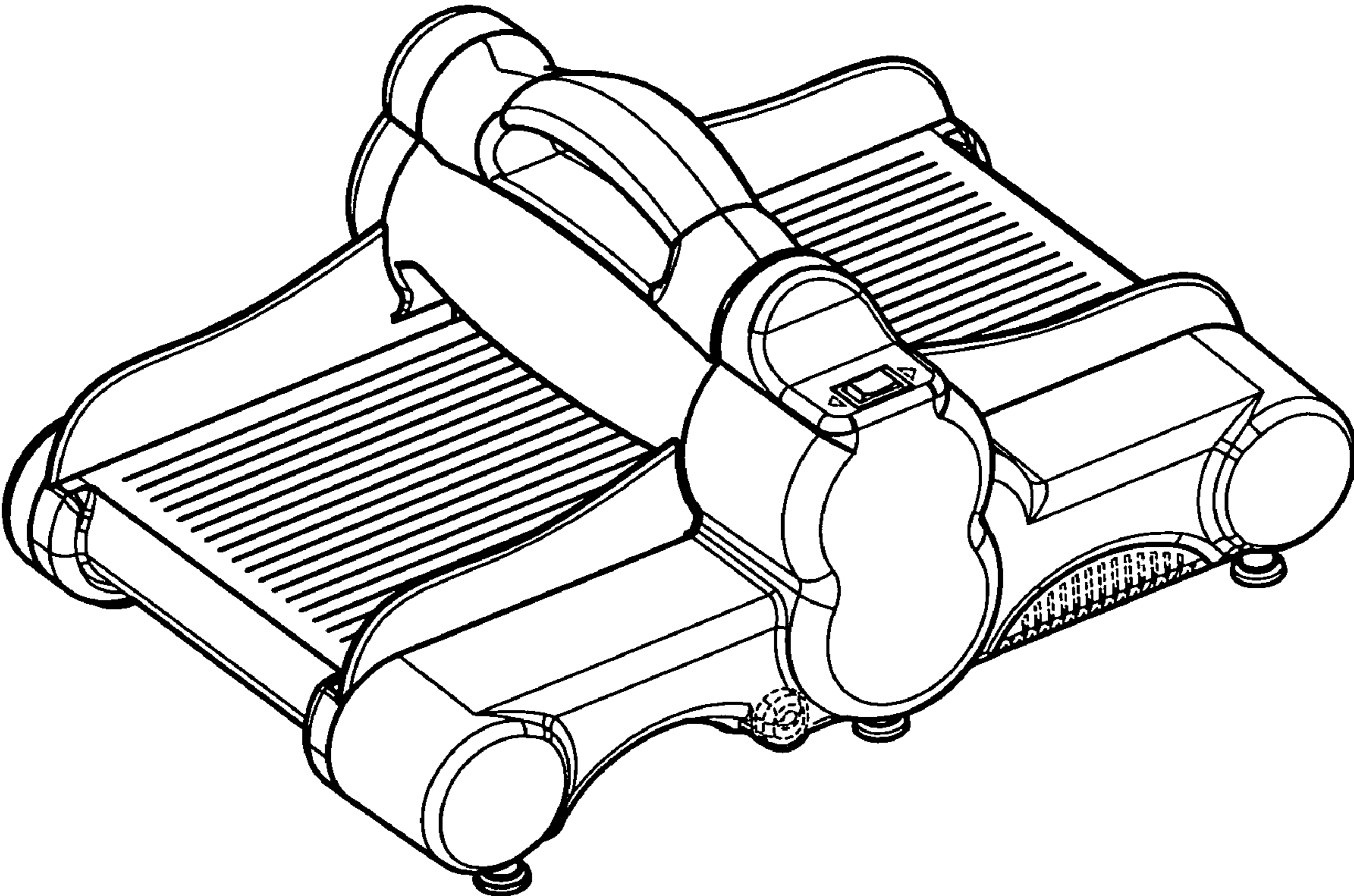


FIG. 1

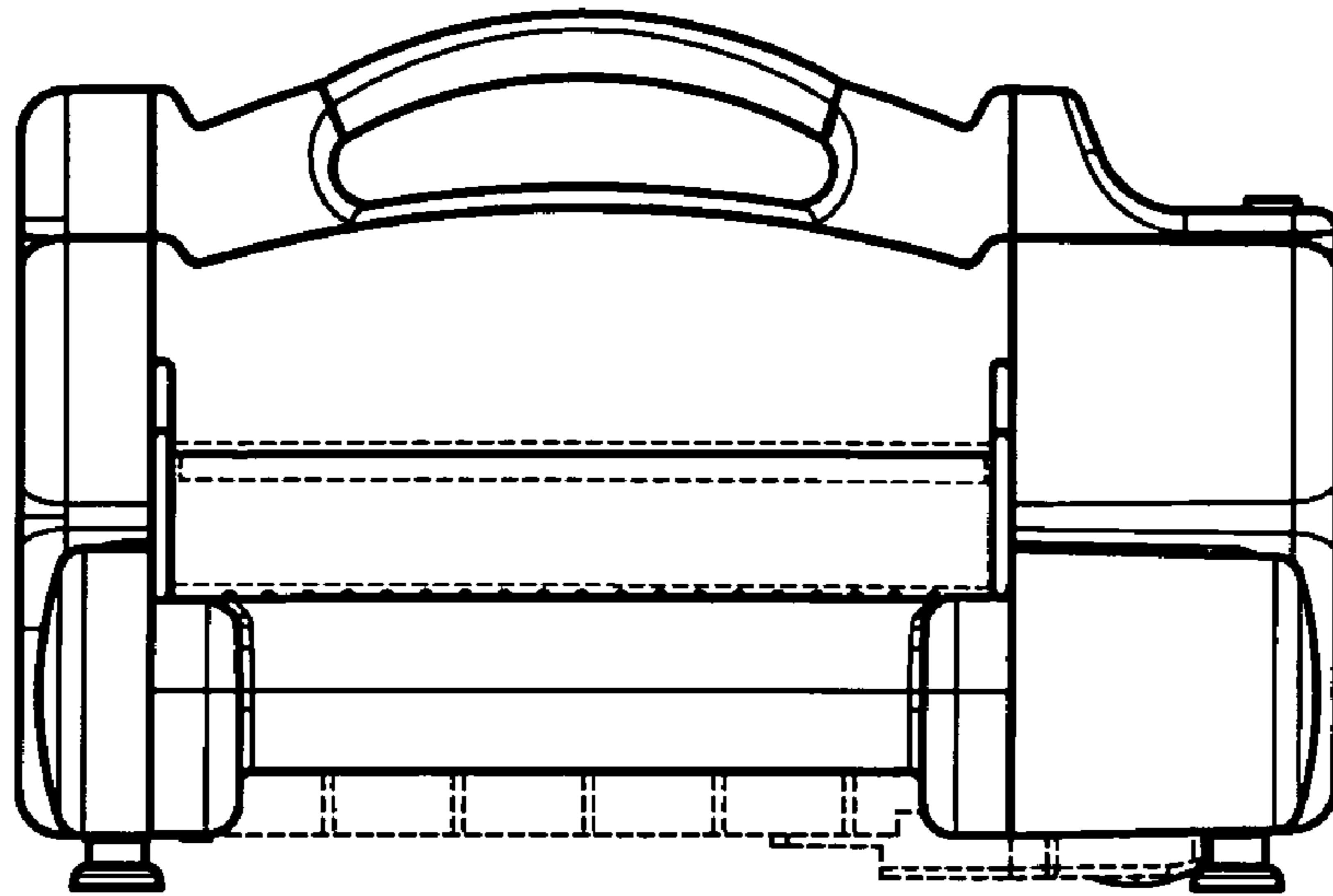


FIG. 2

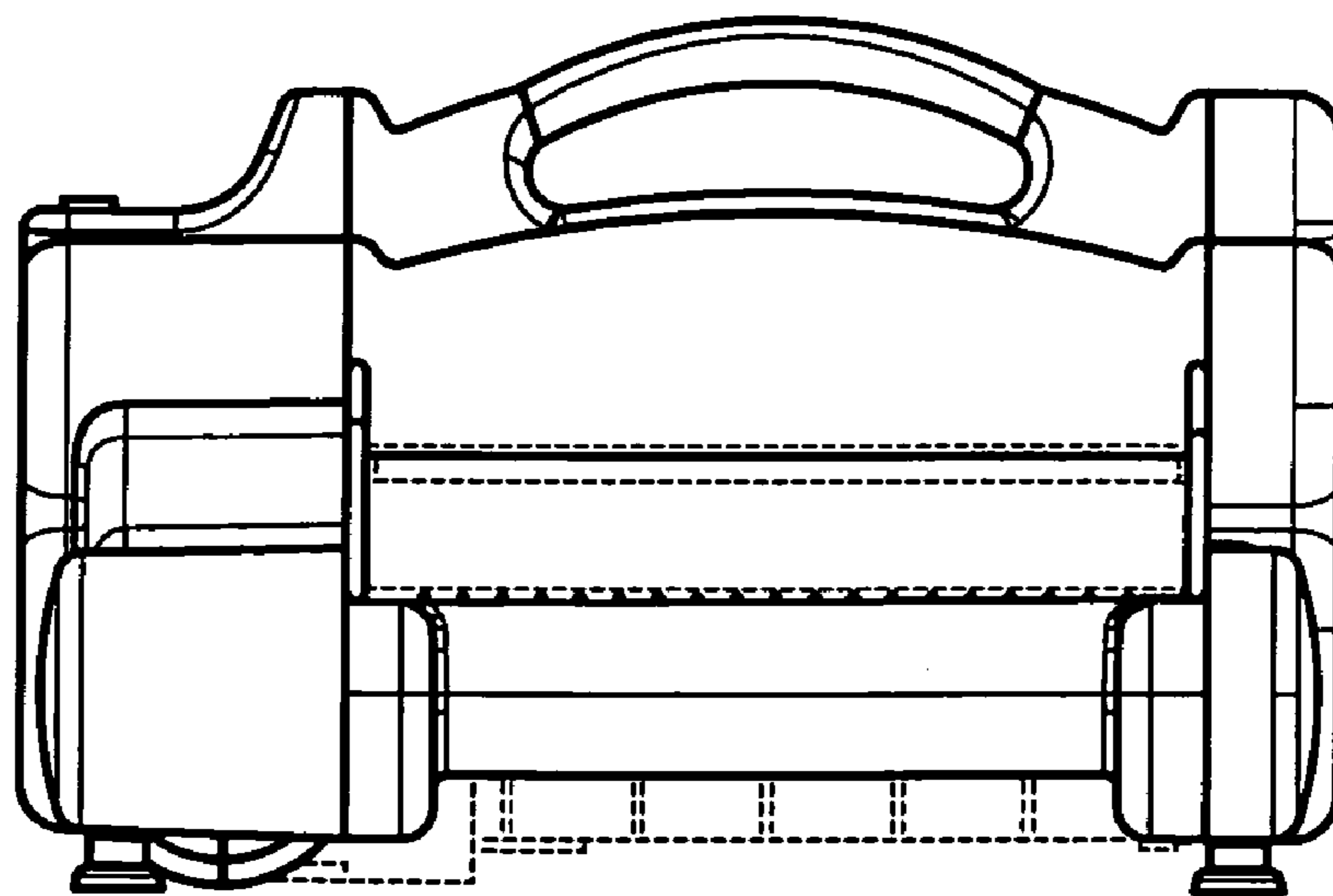


FIG. 3

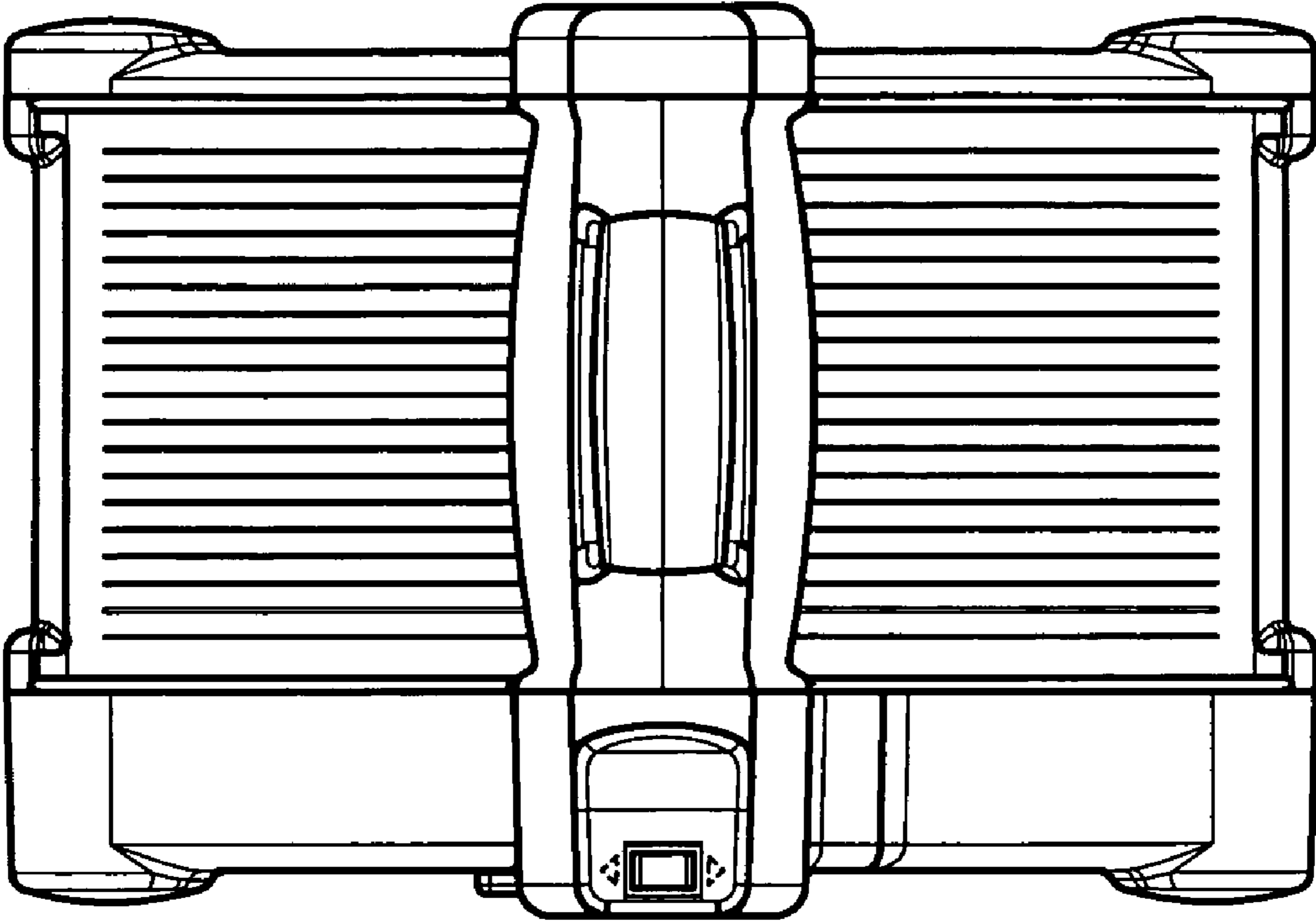


FIG. 4

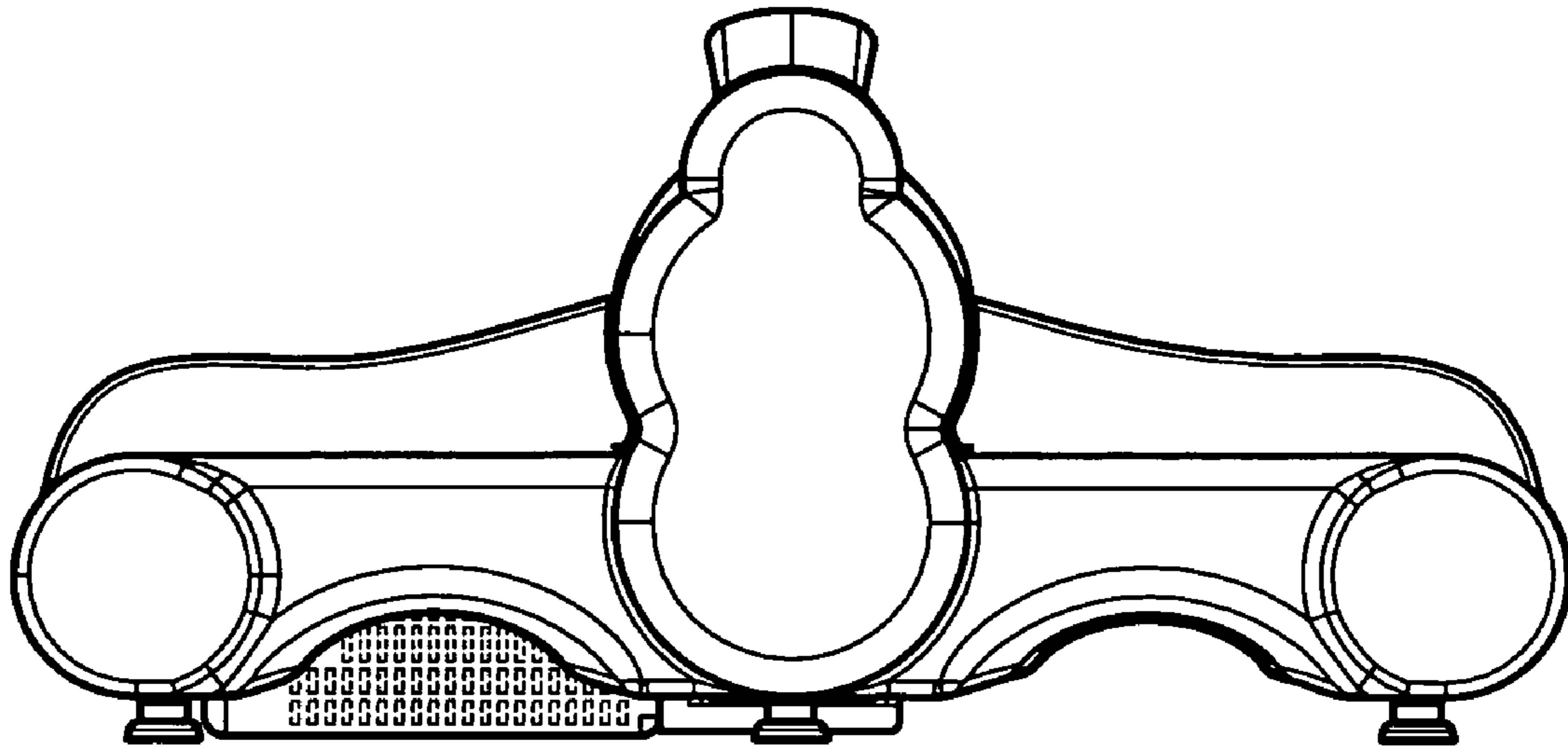


FIG. 5

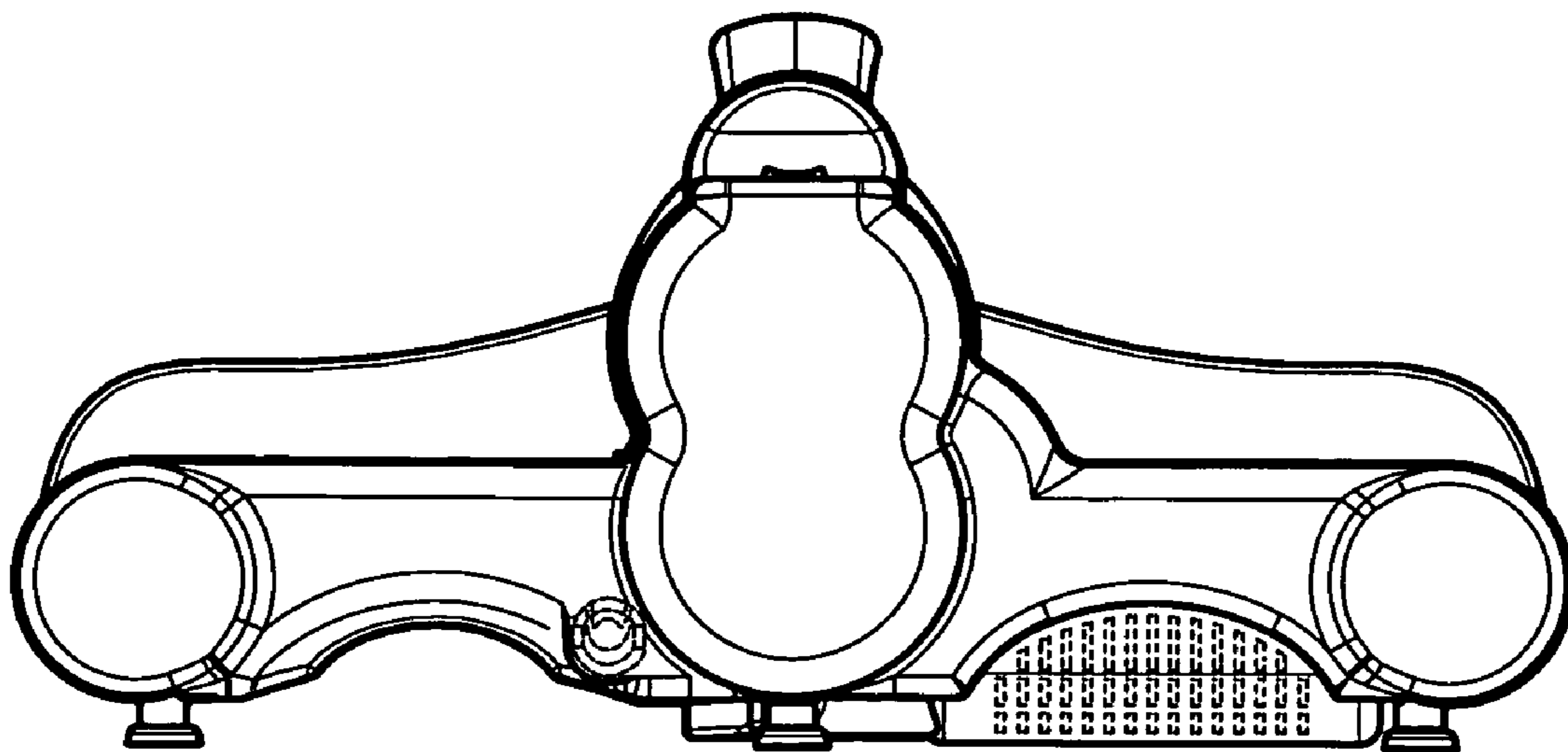


FIG. 6