



US00D585073S

(12) **United States Design Patent**
Shin et al.

(10) **Patent No.:** **US D585,073 S**
(45) **Date of Patent:** **** Jan. 20, 2009**

(54) **COMPUTER MONITOR HAVING INDICATING IMAGE DESIGN DISPLAYED THEREON**

(75) Inventors: **So-Young Shin**, Kyunggi-do (KR);
Yi-Sak Park, Seoul (KR)

(73) Assignee: **Samsung Electronics Co., Ltd.**,
Kyunggi-do (KR)

(**) Term: **14 Years**

(21) Appl. No.: **29/236,447**

(22) Filed: **Aug. 16, 2005**

(51) **LOC (9) Cl.** **14-04**

(52) **U.S. Cl.** **D14/485**

(58) **Field of Classification Search** 715/505,
715/509, 700, 703, 712, 715, 718, 719, 726,
715/730, 732, 739, 748, 757, 759, 762, 763,
715/768, 776, 779, 781, 808, 809, 810, 811,
715/812, 813, 814, 815, 816, 817, 818, 819,
715/820, 821, 822, 823, 824, 825, 826, 828,
715/829, 835, 836, 837, 838, 839, 840, 841,
715/842, 843, 844, 845, 846, 847, 848, 849,
715/850, 851, 861, 864, 866, 867, 908; 715/961,
715/962, 963, 970.1, 976, 977; D14/485-495;
345/420, 426, 427, 628, 646, 902, 949, 953,
345/955

See application file for complete search history.

(56) **References Cited**

U.S. PATENT DOCUMENTS

D511,172 S *	11/2005	Totten et al.	D14/493
D529,043 S *	9/2006	Melander et al.	D14/492
D534,176 S *	12/2006	Lortscher et al.	D14/485
7,146,575 B2 *	12/2006	Manolis et al.	715/838
D534,918 S *	1/2007	Gusmorino et al.	D14/492
2002/0052916 A1 *	5/2002	Kloba et al.	709/203
2003/0014437 A1 *	1/2003	Beaumont et al.	707/508
2005/0091609 A1 *	4/2005	Matthews et al.	715/804
2005/0283737 A1 *	12/2005	Ha	715/776

2007/0118813 A1* 5/2007 Forstall et al. 715/805

OTHER PUBLICATIONS

U.S. Appl. No. 29/228,103, Applicant: Jee-Yeun Wang, et al. filed Apr. 20, 2005 entitled Portable Telephone Having Indicating Image Design Displayed Thereon.

(Continued)

Primary Examiner—Cathron C Brooks

Assistant Examiner—Angela J Lee

(74) *Attorney, Agent, or Firm*—Flynn, Thiel, Boutell & Tanis, P.C.

(57) **CLAIM**

The ornamental design for a computer monitor having indicating image design displayed thereon, as shown and described.

DESCRIPTION

The file of this patent contains at least one drawing executed in color. Copies of this patent with color drawings will be provided by the Office upon request and payment of the necessary fee.

FIG. 1 is a top front perspective view of a computer monitor having indicating image design displayed thereon showing our new design.

FIG. 2 is a front elevational view thereof.

FIG. 3 is a rear elevational view thereof.

FIG. 4 is a left side elevational view thereof.

FIG. 5 is a right side elevational view thereof.

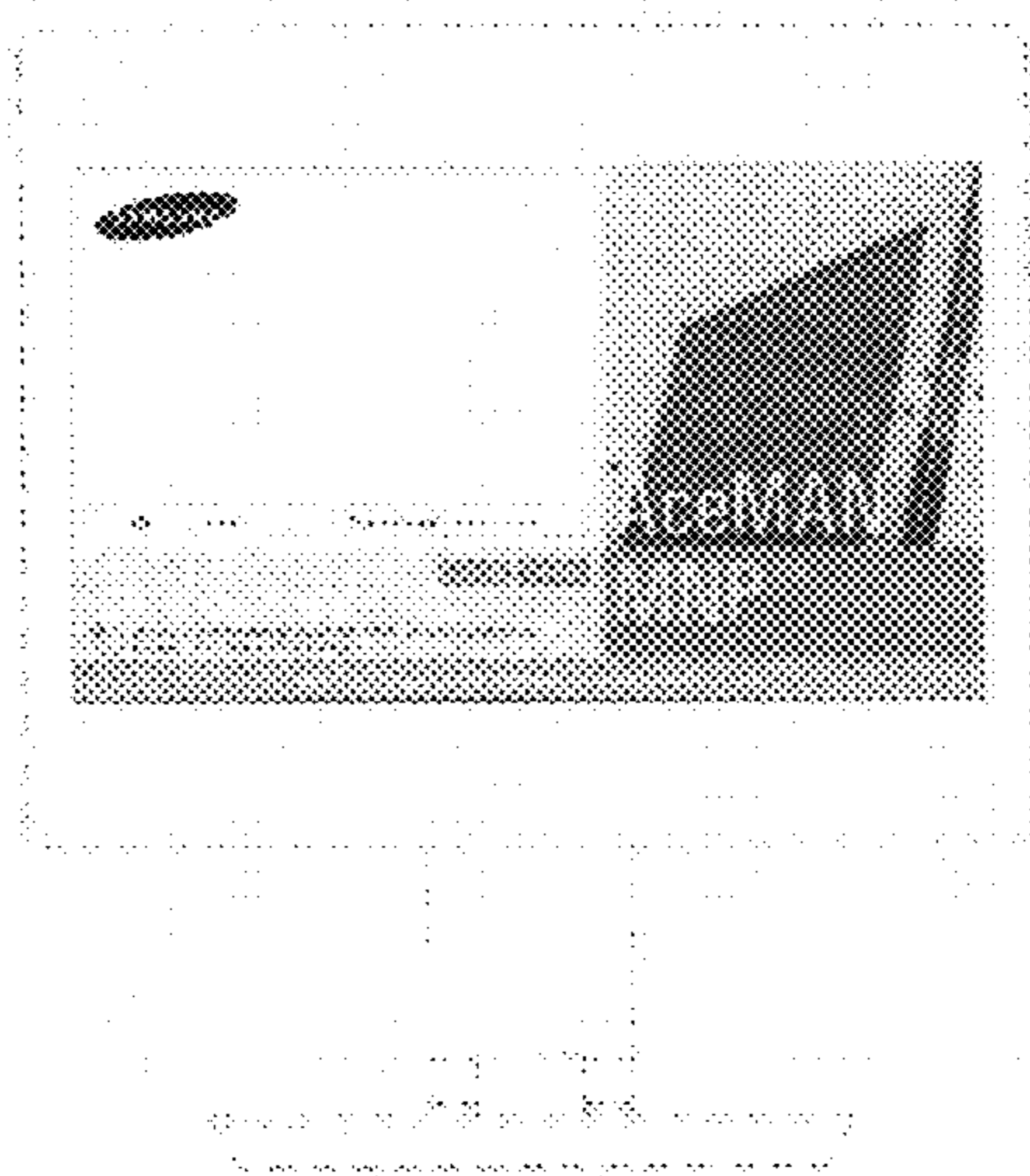
FIG. 6 is a top plan view thereof.

FIG. 7 is a bottom plan view thereof; and,

FIG. 8 is an enlargement of the image area shown in FIG. 2.

The broken line showing of a computer monitor is included for the purpose of illustrating portions of the article and forms no part of the claimed design.

1 Claim, 6 Drawing Sheets
(3 of 6 Drawing Sheet(s) Filed in Color)



OTHER PUBLICATIONS

U.S. Appl. No. 29/228,104, Applicant: Bong-Hee Kim, et al. filed Apr. 20, 2005 entitled Portable Telephone Having Indicating Image Design Displayed Thereon.

U.S. Appl. No. 29/228,149, Applicant: Ae-Jung Seo, et al. filed Apr. 20, 2005 entitled Portable Telephone Having Indicating Image Design Displayed Thereon.

U.S. Appl. No. 29/228,150, Applicant: Sun-Young Kim, et al. filed Apr. 20, 2005 entitled Monitor Having Home Network Indicating Image Design Displayed Thereon.

U.S. Appl. No. 29/236,448, Applicant: Yi-Sak Park, et al. filed Aug. 16, 2005 entitled Telephone Having Indicating Image Design Displayed Thereon.

U.S. Appl. No. 29/236,449, Applicant: So-Young Shin, et al. filed Aug. 16, 2005 entitled Portable Telephone Having Indicating Image Design Thereon.

U.S. Appl. No. 29/236,446, Applicant: Yi-Sak Park, et al. filed Aug. 16, 2005 entitled Computer Monitor Having Indicating Image Design Displayed Thereon.

* cited by examiner

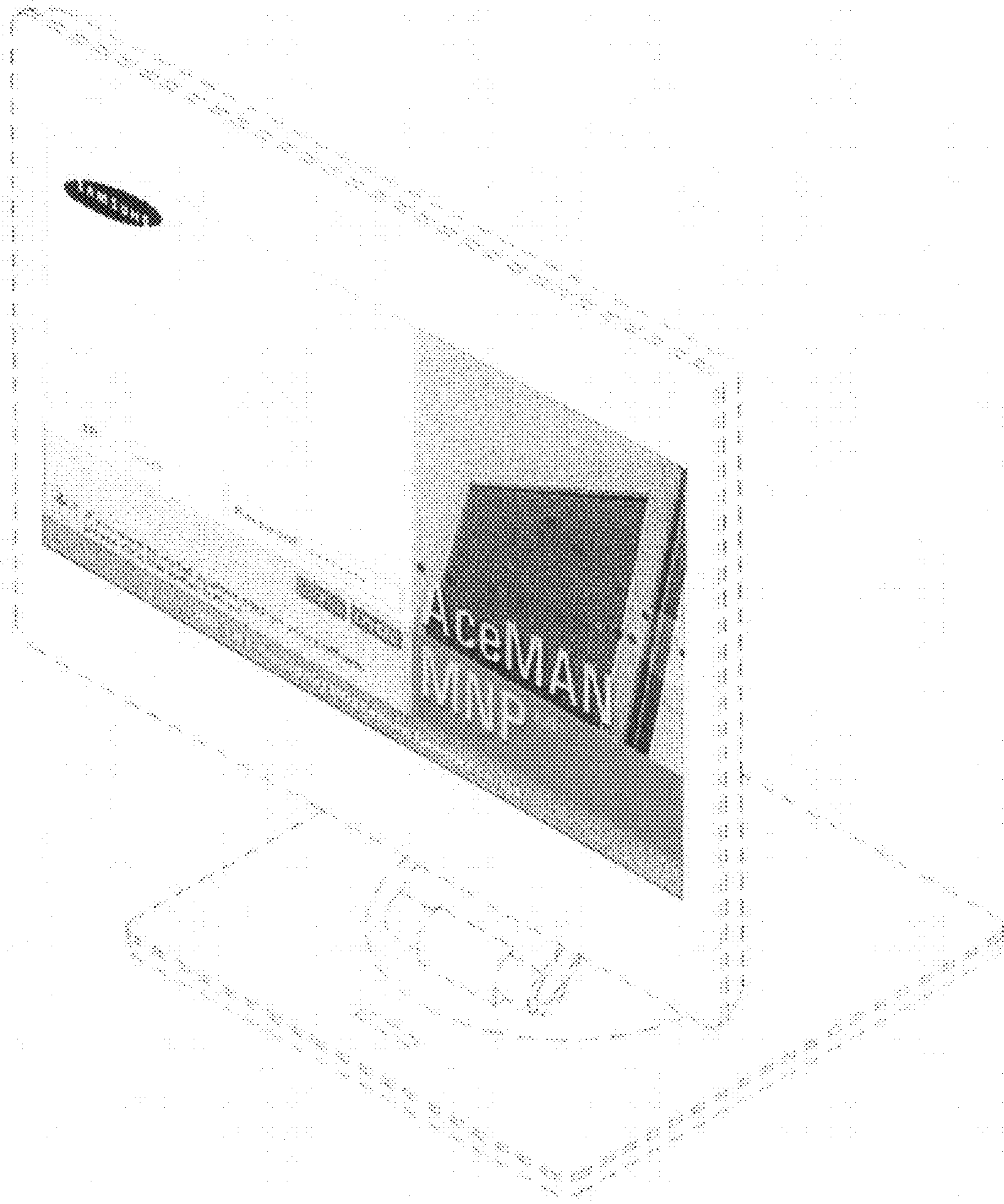


FIG. 1

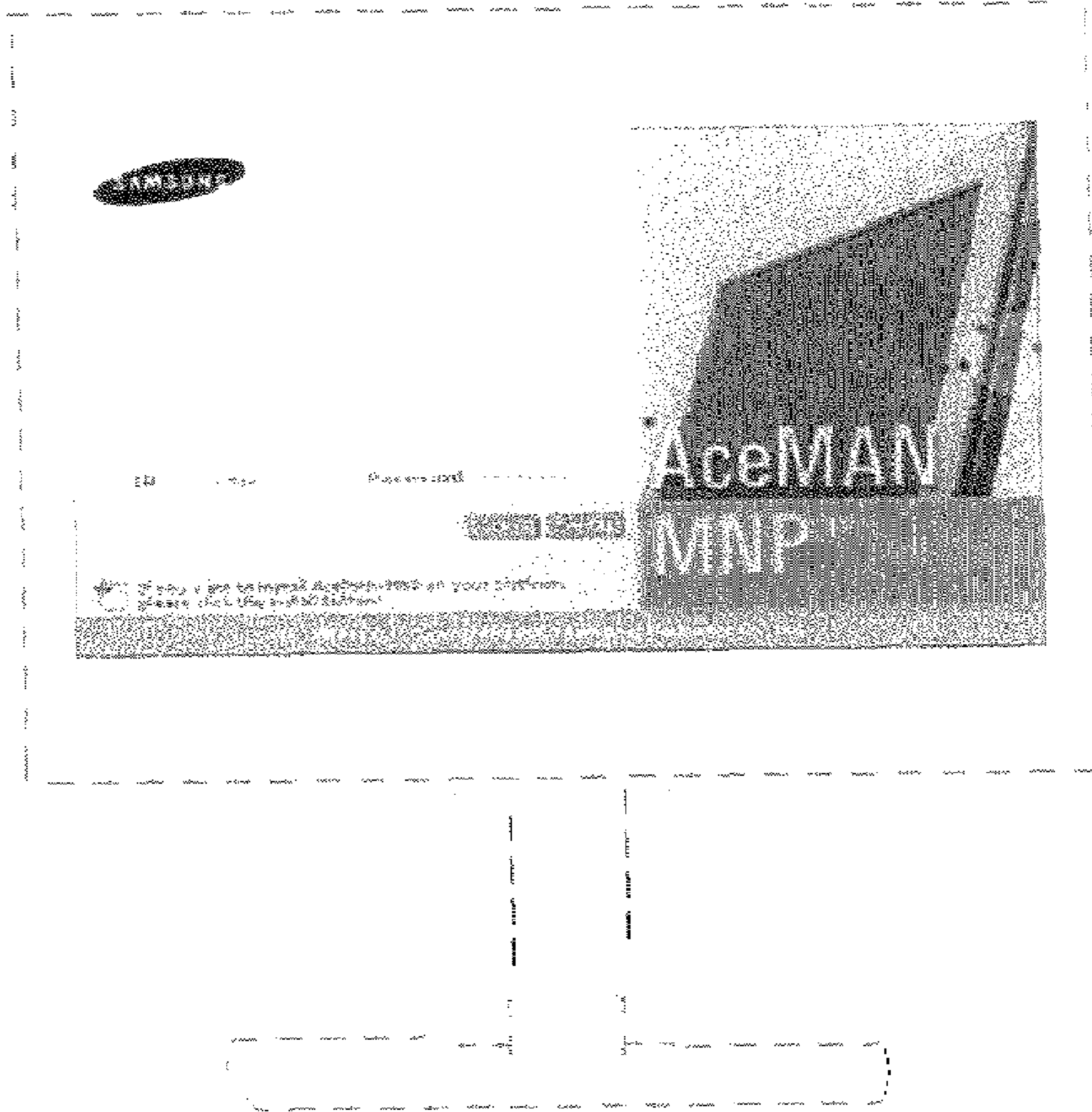


FIG. 2

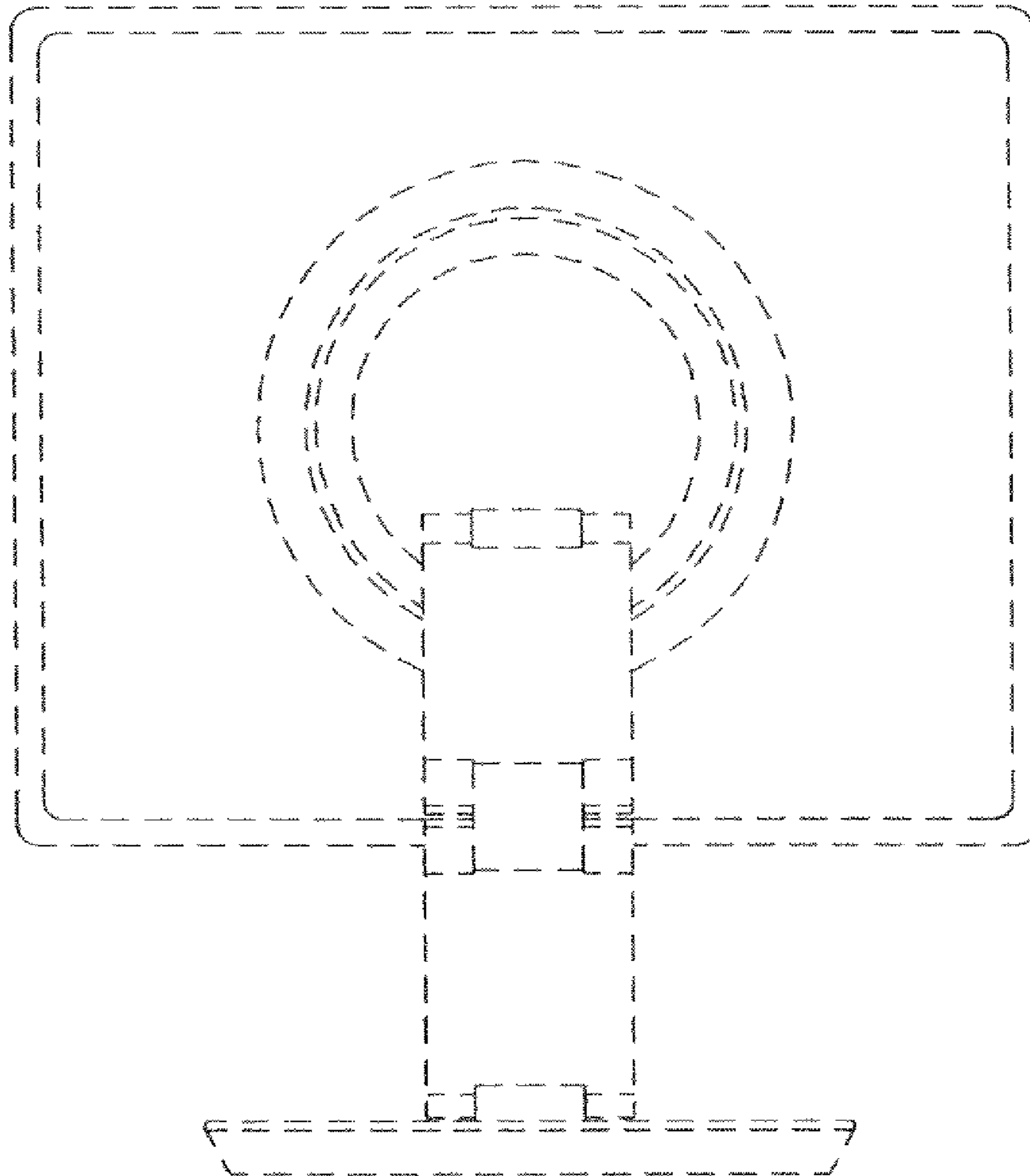


FIG. 3

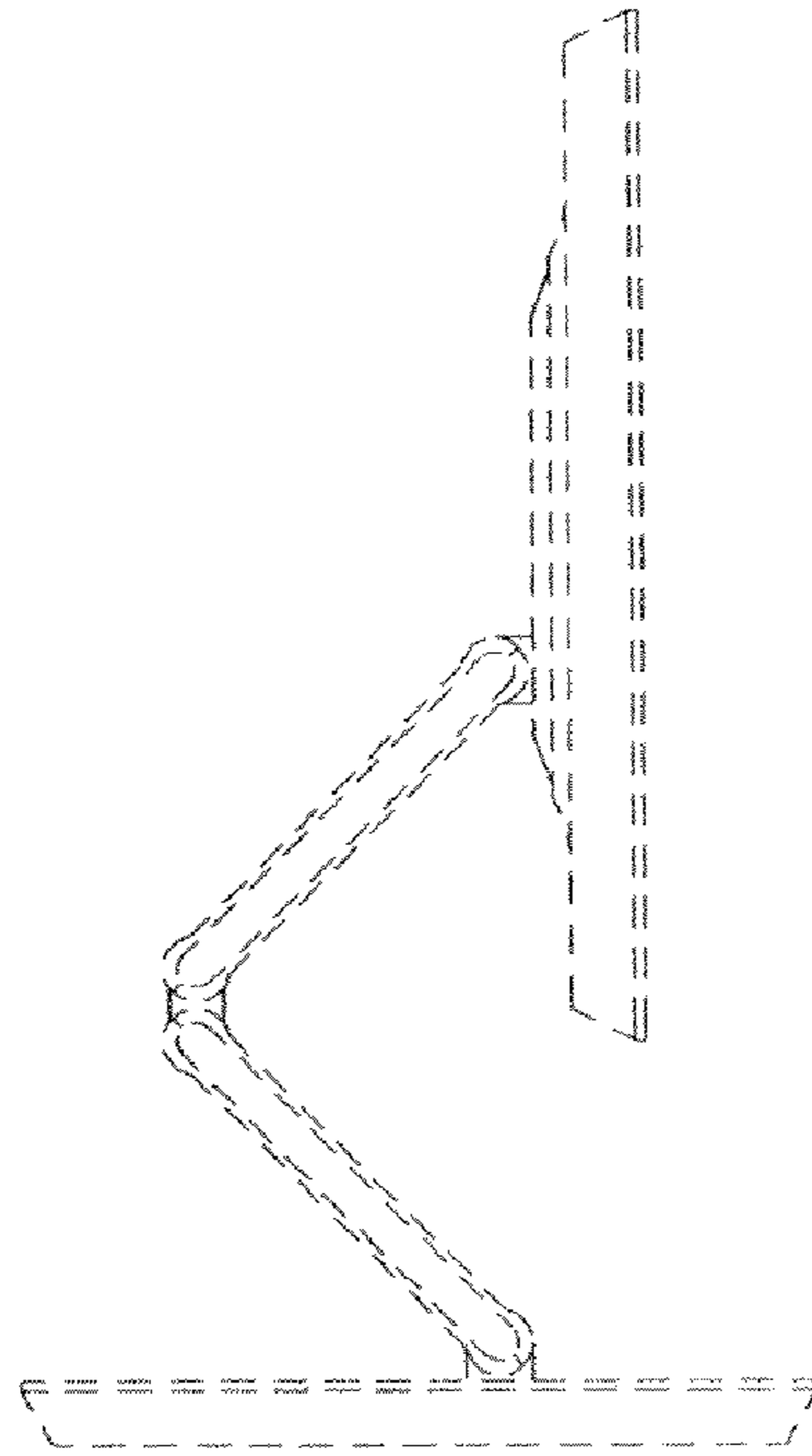


FIG. 4

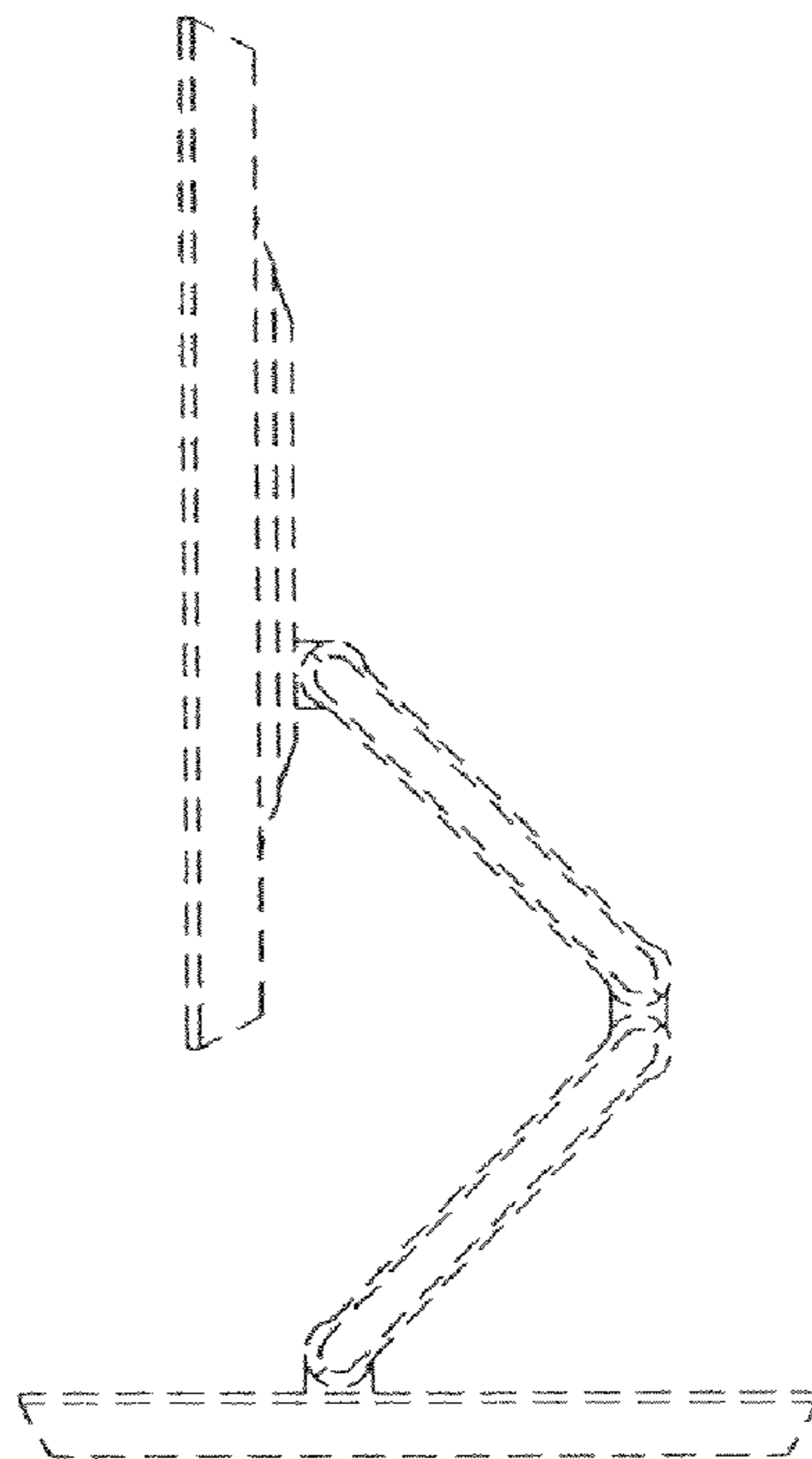


FIG. 5

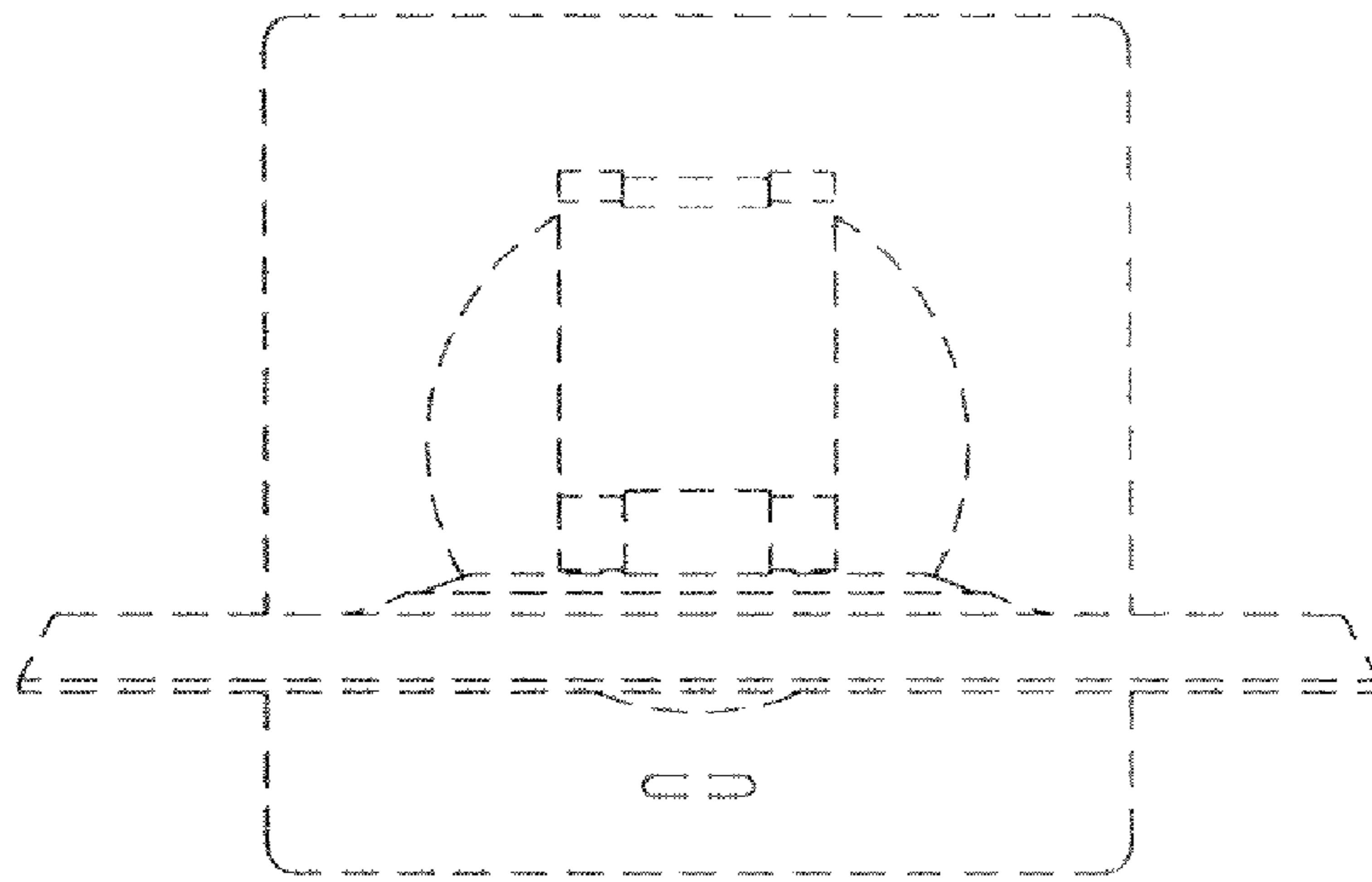


FIG. 6

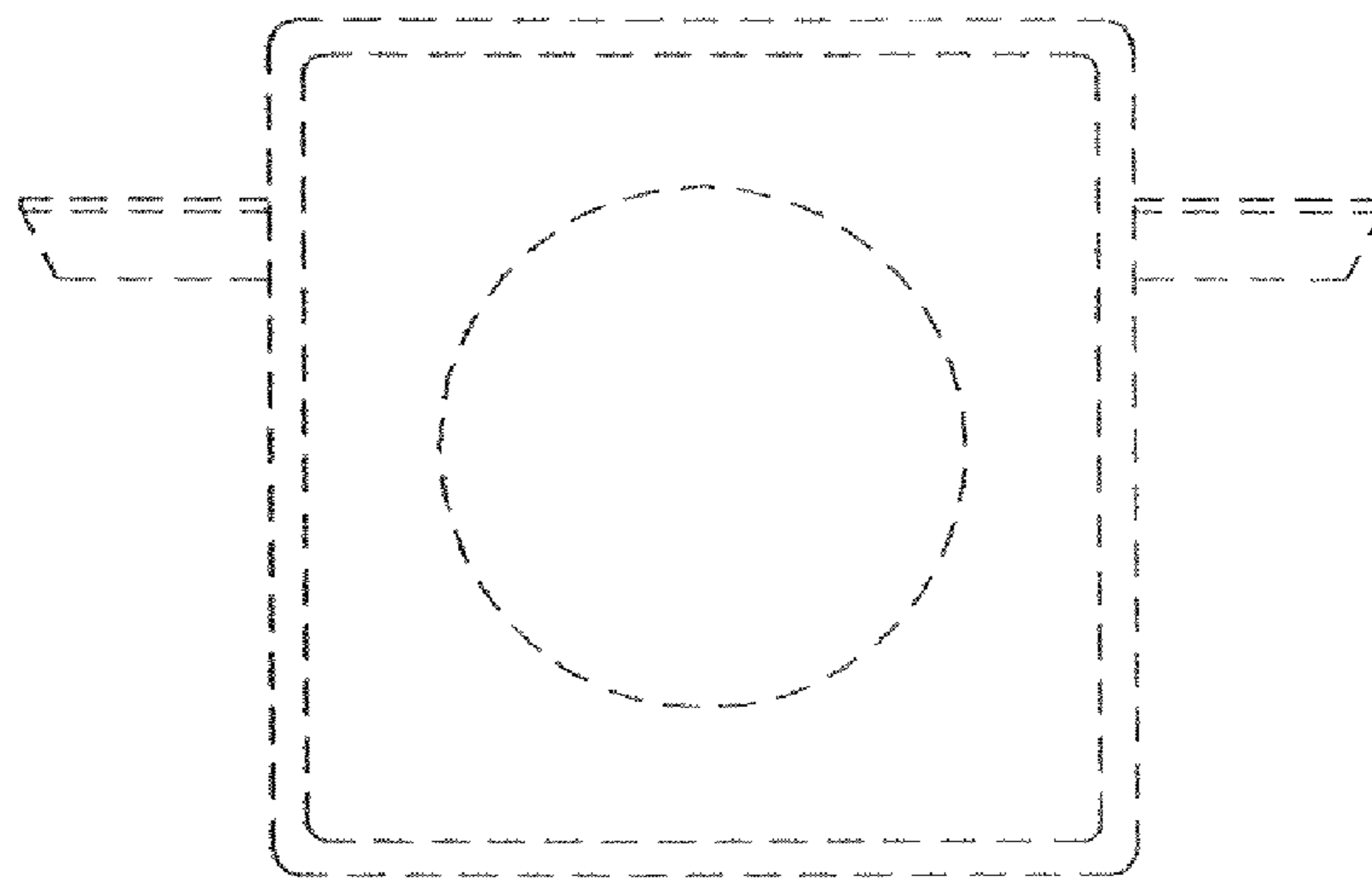


FIG. 7

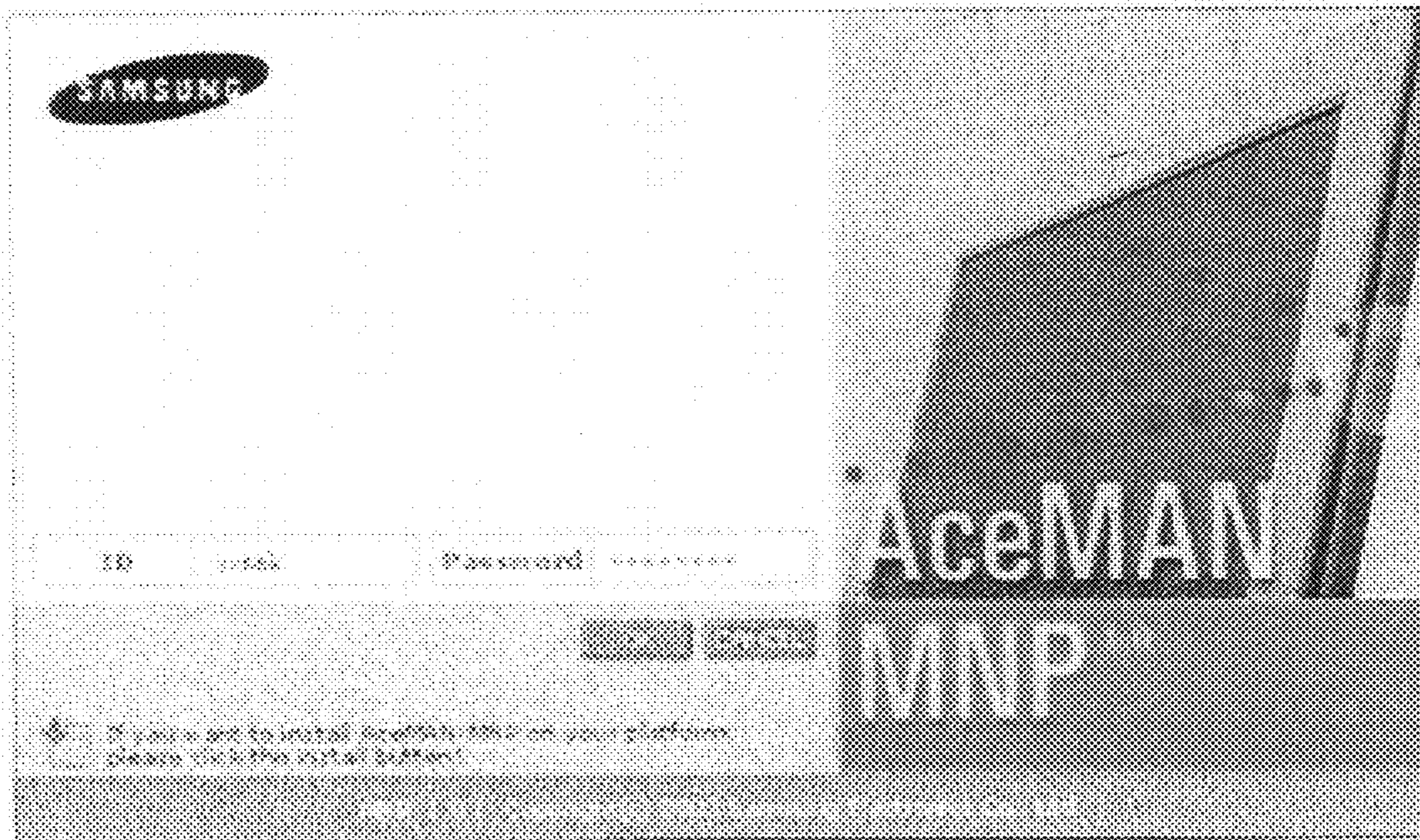


FIG. 8