



US00D585069S

(12) **United States Design Patent**
Choi

(10) **Patent No.:** **US D585,069 S**
(45) **Date of Patent:** **** Jan. 20, 2009**

(54) **PROTECTIVE FRAME FOR A MOBILE DEVICE**

(75) Inventor: **JaeHo Choi**, Whitestone, NY (US)

(73) Assignee: **Symbol Technologies, Inc.**, Holtsville, NY (US)

(**) Term: **14 Years**

(21) Appl. No.: **29/276,052**

(22) Filed: **Jan. 12, 2007**

(51) **LOC (9) Cl.** **14-02**

(52) **U.S. Cl.** **D14/453**

(58) **Field of Classification Search** D14/432,
D14/434, 453, 420, 426–430, 192, 251; D13/156;
248/687, 682, 615, 560–562, 632, 634, 694,
248/345.1, 346.01, 346.03–346.04, 346.5;
439/350, 351, 399, 449; D8/330, 339, 342–343,
D8/344, 346, 400, 403, 404; 206/701, 724,
206/728, 722, 518, 557, 521, 586, 588, 592,
206/594; 361/685, 683, 686, 687, 727, 728,
361/730; 360/97.02, 97.01, 137

See application file for complete search history.

(56) **References Cited**

U.S. PATENT DOCUMENTS

D309,893	S	*	8/1990	Endo et al.	D13/156
D317,157	S	*	5/1991	Jondelius	D14/253
5,192,042	A	*	3/1993	Wotring et al.	248/176.1
D346,275	S	*	4/1994	Hayasaka et al.	D3/218
5,368,159	A	*	11/1994	Doria	206/320
5,628,402	A	*	5/1997	Dickie et al.	206/521
5,648,757	A	*	7/1997	Vernace et al.	340/539.32
5,659,612	A	*	8/1997	Wang	379/446
D397,246	S	*	8/1998	Hoofnagle et al.	D3/201
5,927,680	A	*	7/1999	Bridges et al.	248/638
5,996,956	A	*	12/1999	Shawver	248/309.1
D424,035	S	*	5/2000	Steiner et al.	D14/439

6,078,498	A	*	6/2000	Eckerd et al.	361/685
6,141,417	A	*	10/2000	Lopez et al.	379/446
D434,898	S	*	12/2000	Jokinen et al.	D3/218
6,196,516	B1	*	3/2001	Lan	248/634
6,311,945	B1	*	11/2001	D'Angelo	248/632
D454,340	S	*	3/2002	Grimm	D14/240
6,464,197	B1	*	10/2002	Chen	248/687
6,616,111	B1	*	9/2003	White	248/309.1
D487,660	S	*	3/2004	Sayers et al.	D6/513
6,700,488	B1	*	3/2004	Leyden et al.	340/568.1
6,837,435	B2	*	1/2005	Kehoe et al.	235/472.01
6,848,014	B2	*	1/2005	Landron et al.	710/303
7,147,163	B2	*	12/2006	Salvato et al.	235/472.02
7,242,280	B2	*	7/2007	Frederiksen	340/426.1

* cited by examiner

Primary Examiner—Melanie H Tung

Assistant Examiner—Susan Moon Lee

(74) *Attorney, Agent, or Firm*—Fay Kaplun & Marcin, LLP

(57) **CLAIM**

I claim the ornamental design for a protective frame for a mobile device, as shown and described.

DESCRIPTION

FIG. 1 is a rear perspective view of a protective frame for a mobile device showing our new design;

FIG. 2 is a front perspective view thereof;

FIG. 3 is a top view thereof;

FIG. 4 is a rear view thereof;

FIG. 5 is a bottom view thereof;

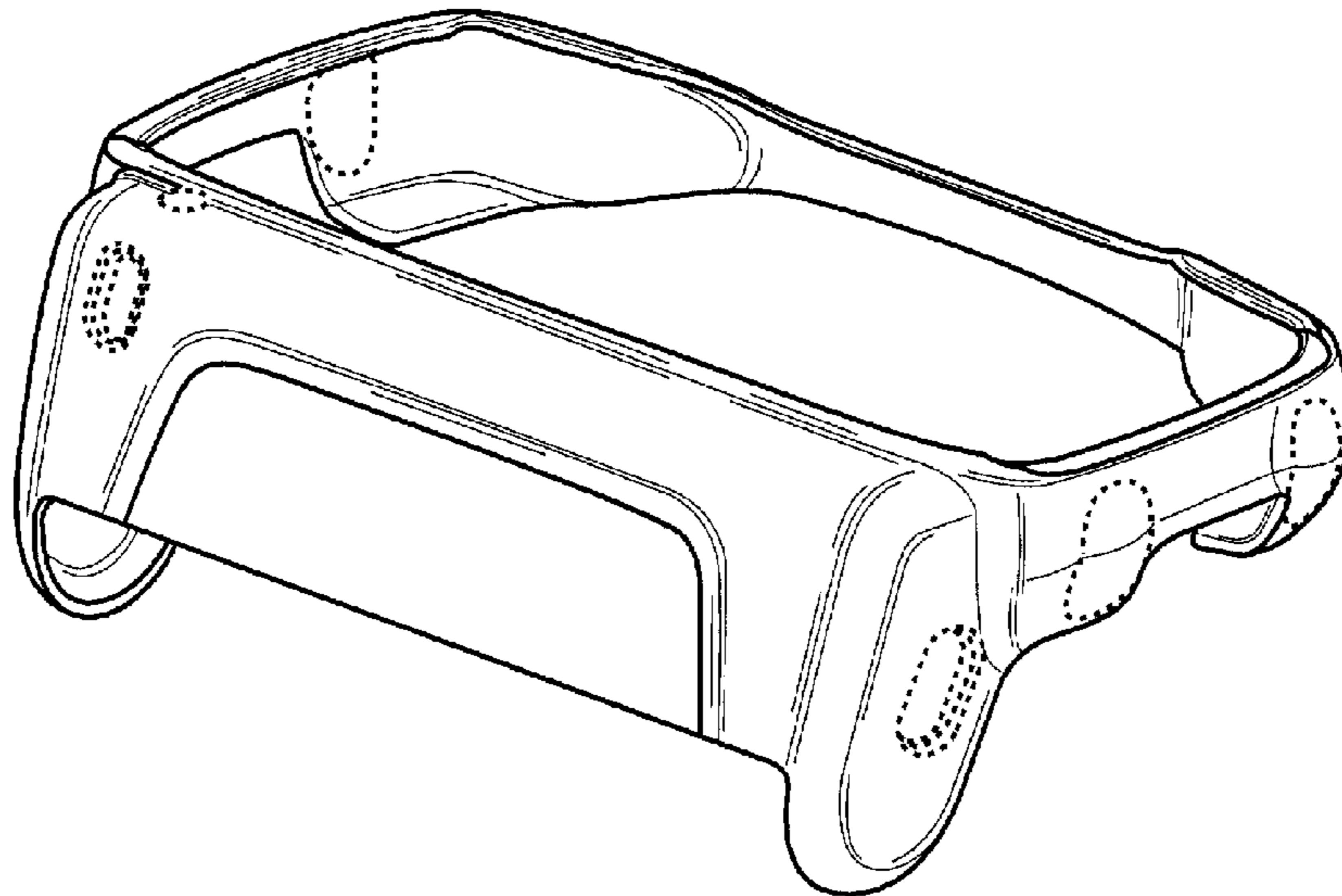
FIG. 6 is a front view thereof;

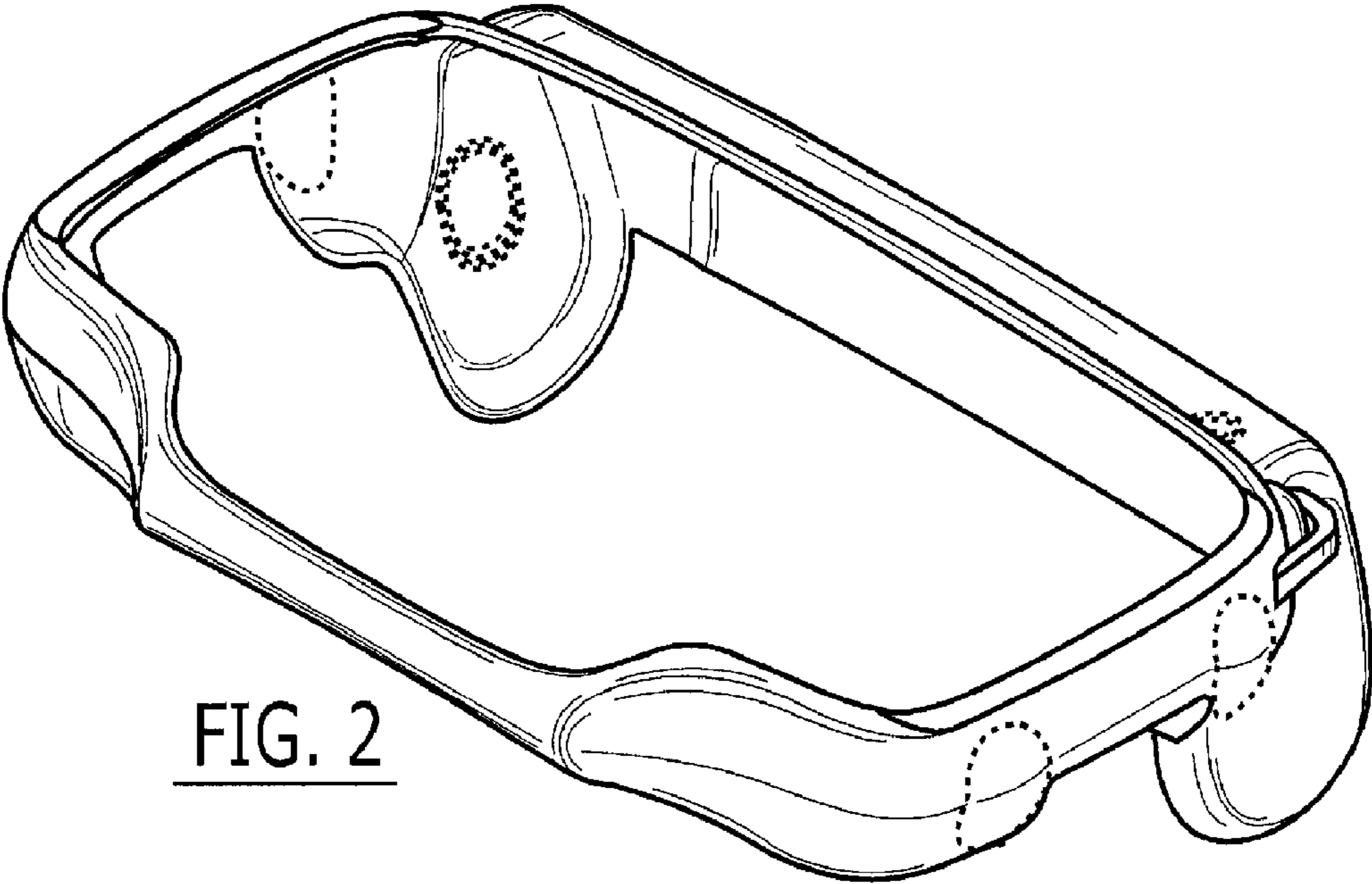
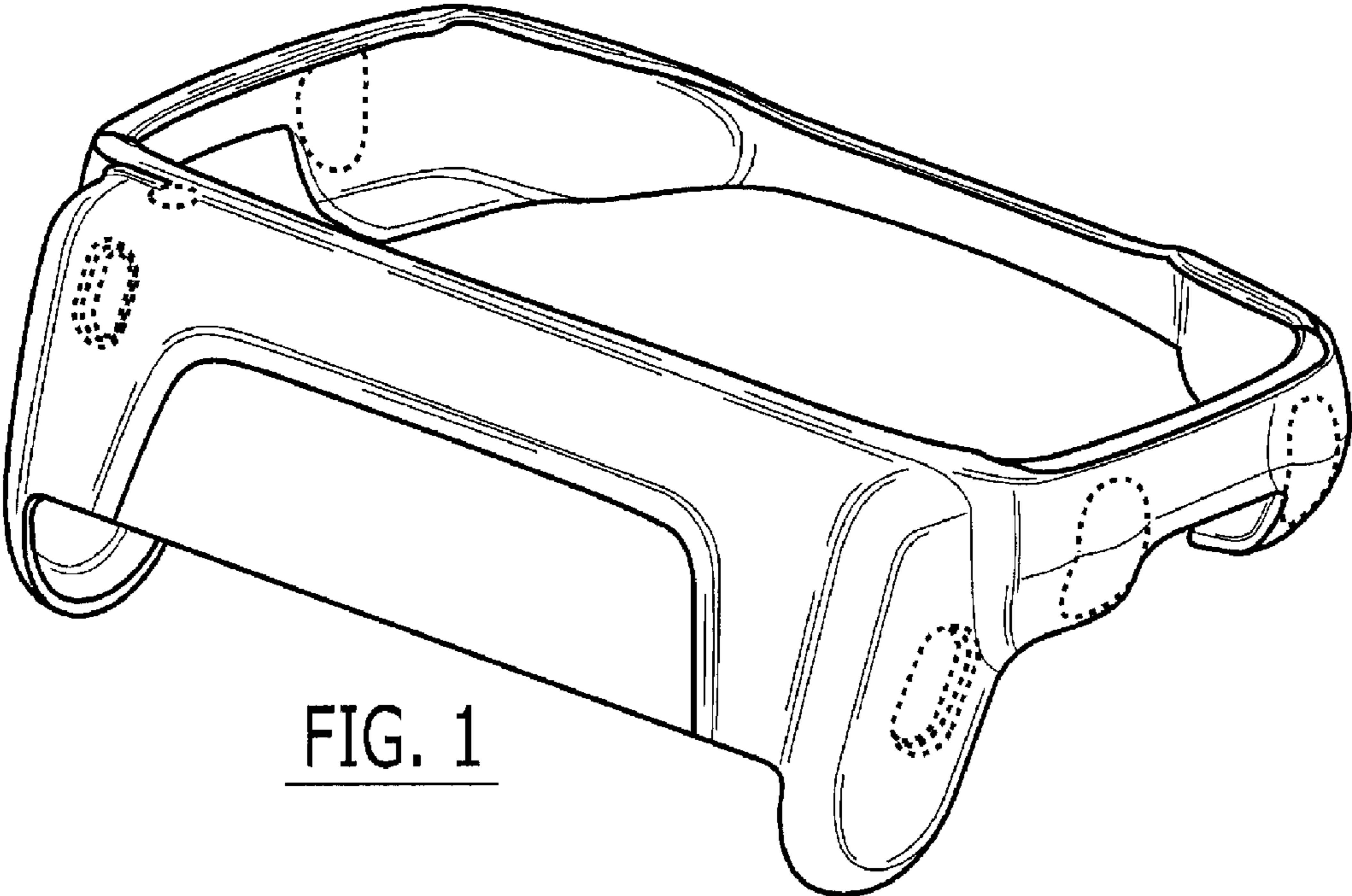
FIG. 7 is a first side view thereof; and,

FIG. 8 is the opposite side view thereof to FIG. 7.

The broken lines shown in FIGS. 1–8 are included for illustrative purposes only and form no part of the claimed design.

1 Claim, 4 Drawing Sheets





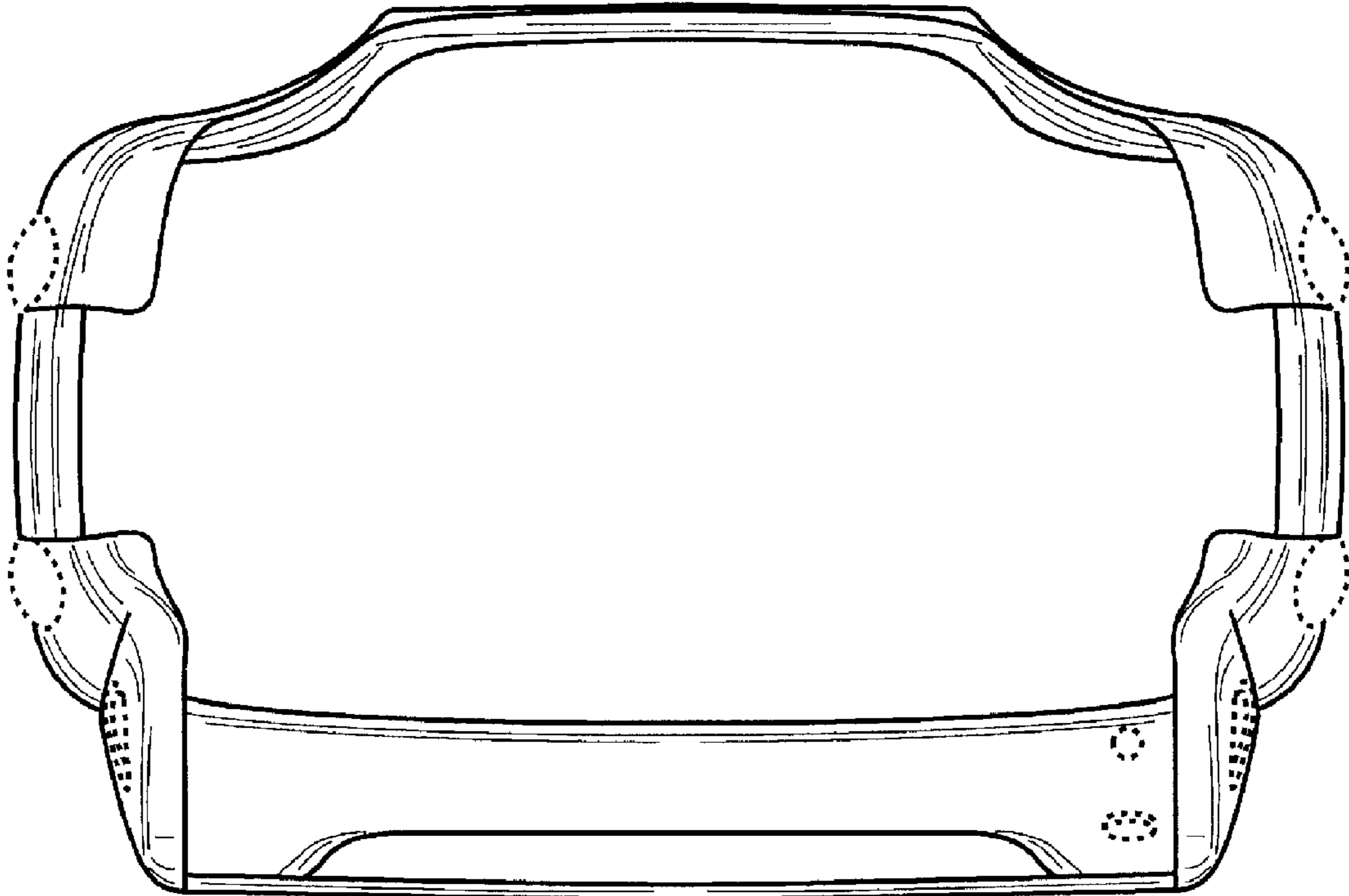


FIG. 3



FIG. 4

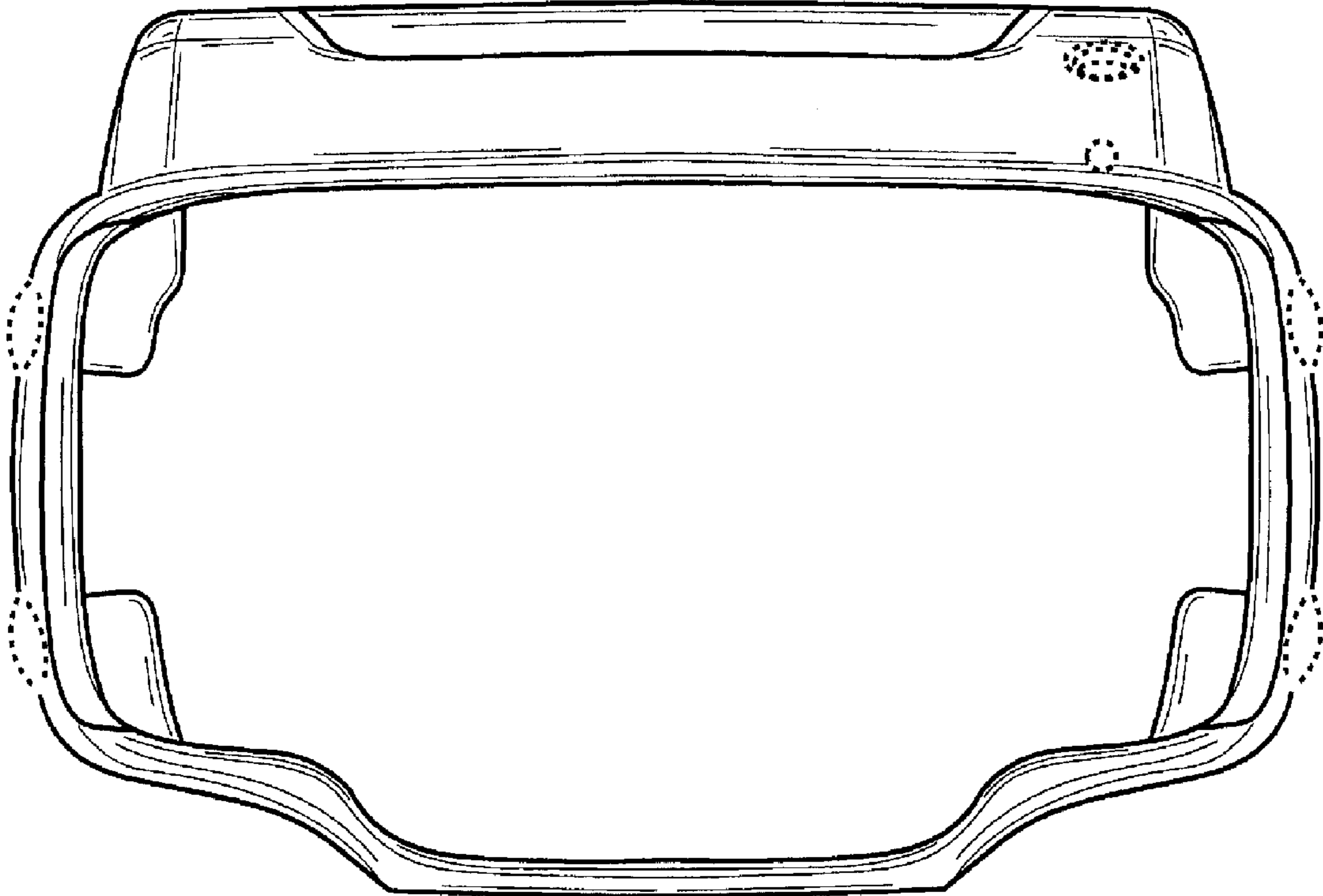


FIG. 5

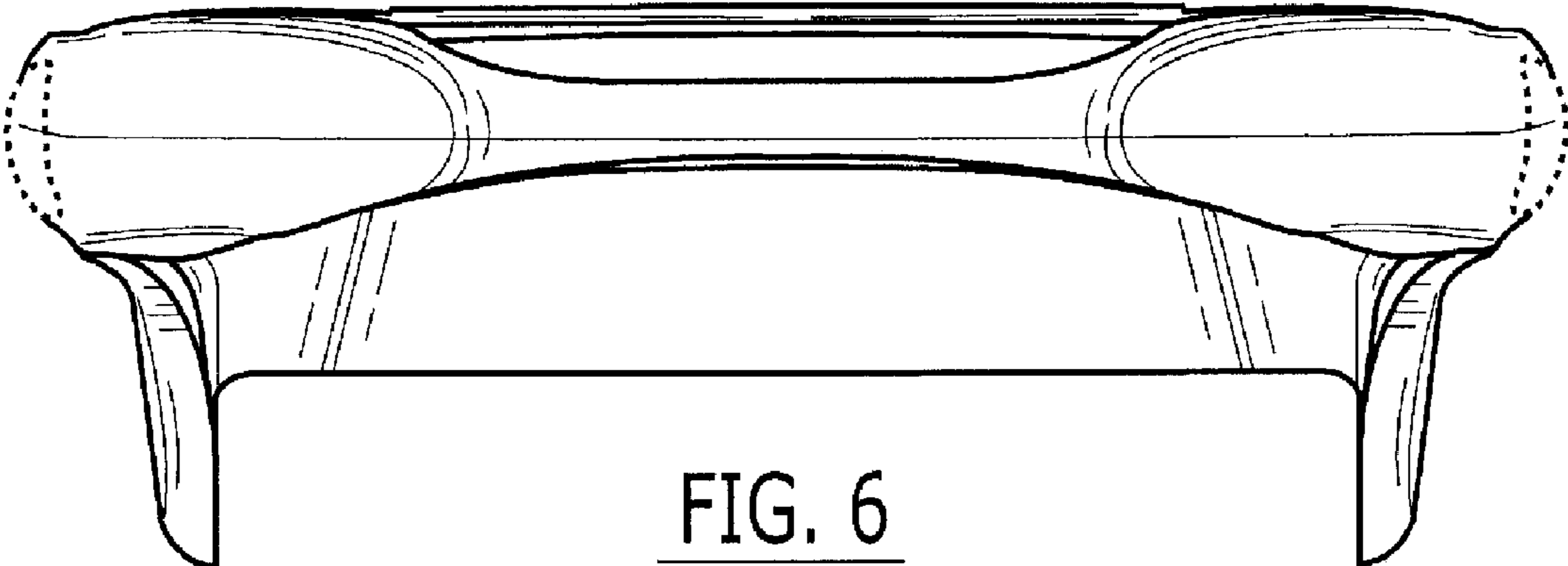


FIG. 6

