

US00D585068S

(12) **United States Design Patent**  
**Elliott et al.**

(10) **Patent No.:** **US D585,068 S**  
(45) **Date of Patent:** **\*\* Jan. 20, 2009**

(54) **MEMORY CARD WITH CONTACT EXPOSING OPENINGS**

(75) Inventors: **Timothy Elliott**, Huntington Beach, CA (US); **William Pat Price**, Rhome, TX (US); **Cuong Quach**, Yorba Linda, CA (US); **Marcus Apitz**, Yorba Linda, CA (US)

(73) Assignee: **Vizio, Inc**, Irvine, CA (US)

(\*\*) Term: **14 Years**

(21) Appl. No.: **29/297,432**

(22) Filed: **Nov. 9, 2007**

(51) **LOC (9) Cl.** ..... **14-02**

(52) **U.S. Cl.** ..... **D14/436**

(58) **Field of Classification Search** ..... D14/435-437, D14/478-480, 485-495, 474, 217; D13/182; 369/275.1-275.5, 44.26, 284, 286, 100, 52.1, 369/272, 273, 280-288; 283/81; 720/718; 435/6, 287.2; 604/891.1; 216/2; D11/80; 235/492, 488, 493, 487, 375, 379, 439, 440, 235/441, 451, 486; 361/737, 748-752; D19/9, D19/10; D9/457; 705/51; 257/707, 686; 340/5.52, 5.25, 5.74

See application file for complete search history.

(56) **References Cited**

**U.S. PATENT DOCUMENTS**

6,109,939	A *	8/2000	Kondo et al.	.....	439/140
D446,525	S *	8/2001	Okamoto et al.	.....	D14/436
D452,243	S *	12/2001	Wallace	.....	D14/436
6,333,854	B1 *	12/2001	Sasaoka et al.	.....	361/737

D457,887	S *	5/2002	Kadonaga	.....	D14/436
6,616,053	B2 *	9/2003	Kondo et al.	.....	235/492
6,646,885	B1 *	11/2003	Yu et al.	.....	361/737
D488,475	S *	4/2004	Yu et al.	.....	D14/436
D492,687	S *	7/2004	Yu et al.	.....	D14/436
D493,466	S *	7/2004	Yu et al.	.....	D14/436
6,768,645	B2 *	7/2004	Kadonaga	.....	361/737
D494,180	S *	8/2004	Taniguchi	.....	D14/436
7,392,343	B2 *	6/2008	Oshima	.....	711/115
2002/0170972	A1 *	11/2002	Kim	.....	235/487
2004/0062109	A1 *	4/2004	Wallace	.....	365/202
2005/0247786	A1 *	11/2005	Chen	.....	235/441
2006/0000914	A1 *	1/2006	Chen	.....	235/492
2006/0009079	A1 *	1/2006	Chen	.....	439/630
2006/0172572	A1 *	8/2006	Matsukawa et al.	.....	439/159
2006/0172603	A1 *	8/2006	Matsumoto et al.	.....	439/630
2006/0204391	A1 *	9/2006	Zuo et al.	.....	417/572

\* cited by examiner

*Primary Examiner*—Melanie H Tung

*Assistant Examiner*—Susan Moon Lee

(74) *Attorney, Agent, or Firm*—Law Office SC Harris

(57) **CLAIM**

We claim the ornamental design for a memory card with contact exposing openings, as shown and described.

**DESCRIPTION**

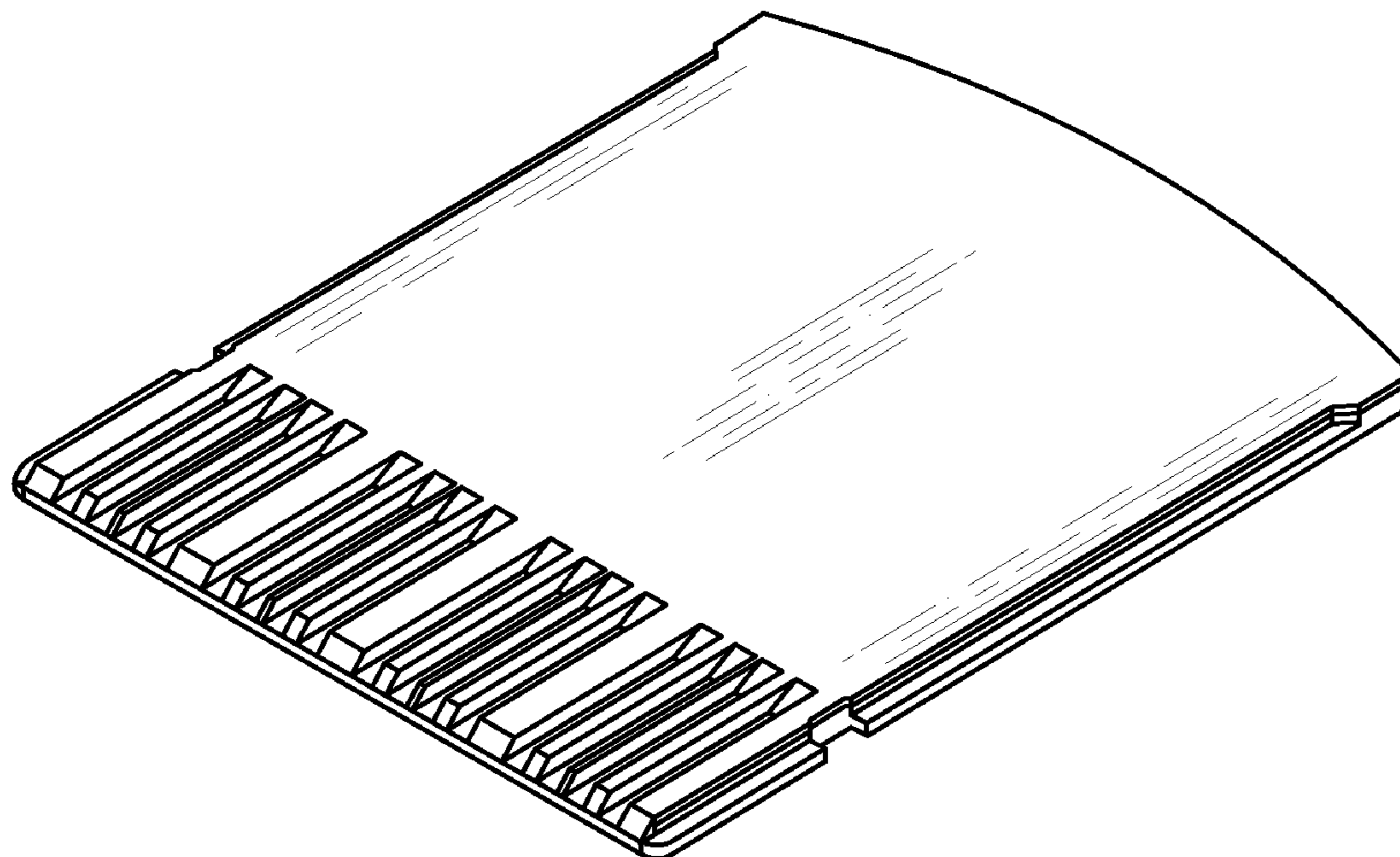
FIG. 1 shows a bottom perspective view of a memory card with contact exposing openings.

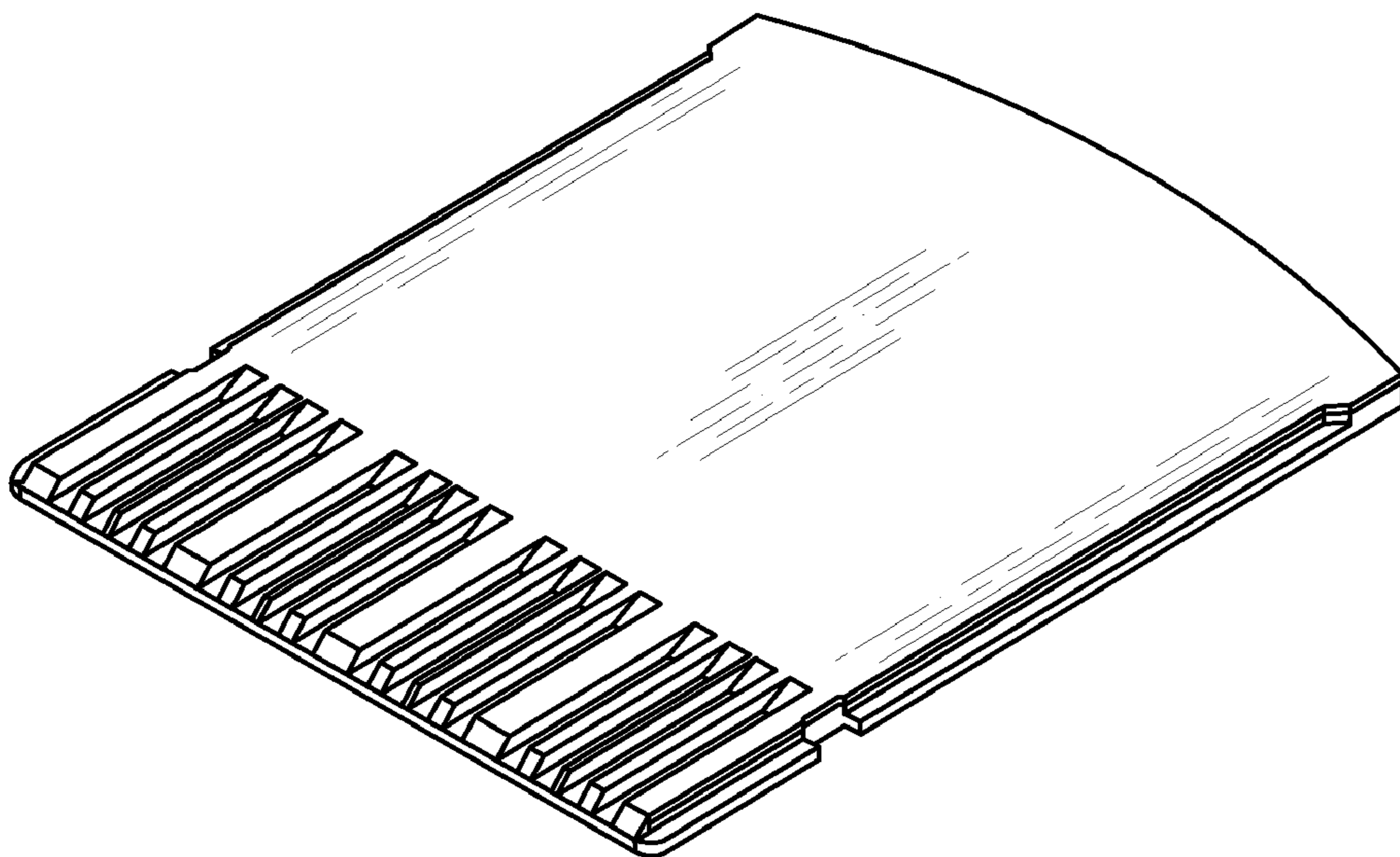
FIG. 2 shows a close-up of the inset in FIG. 1;

FIG. 3 shows a top perspective view of the memory card; and,

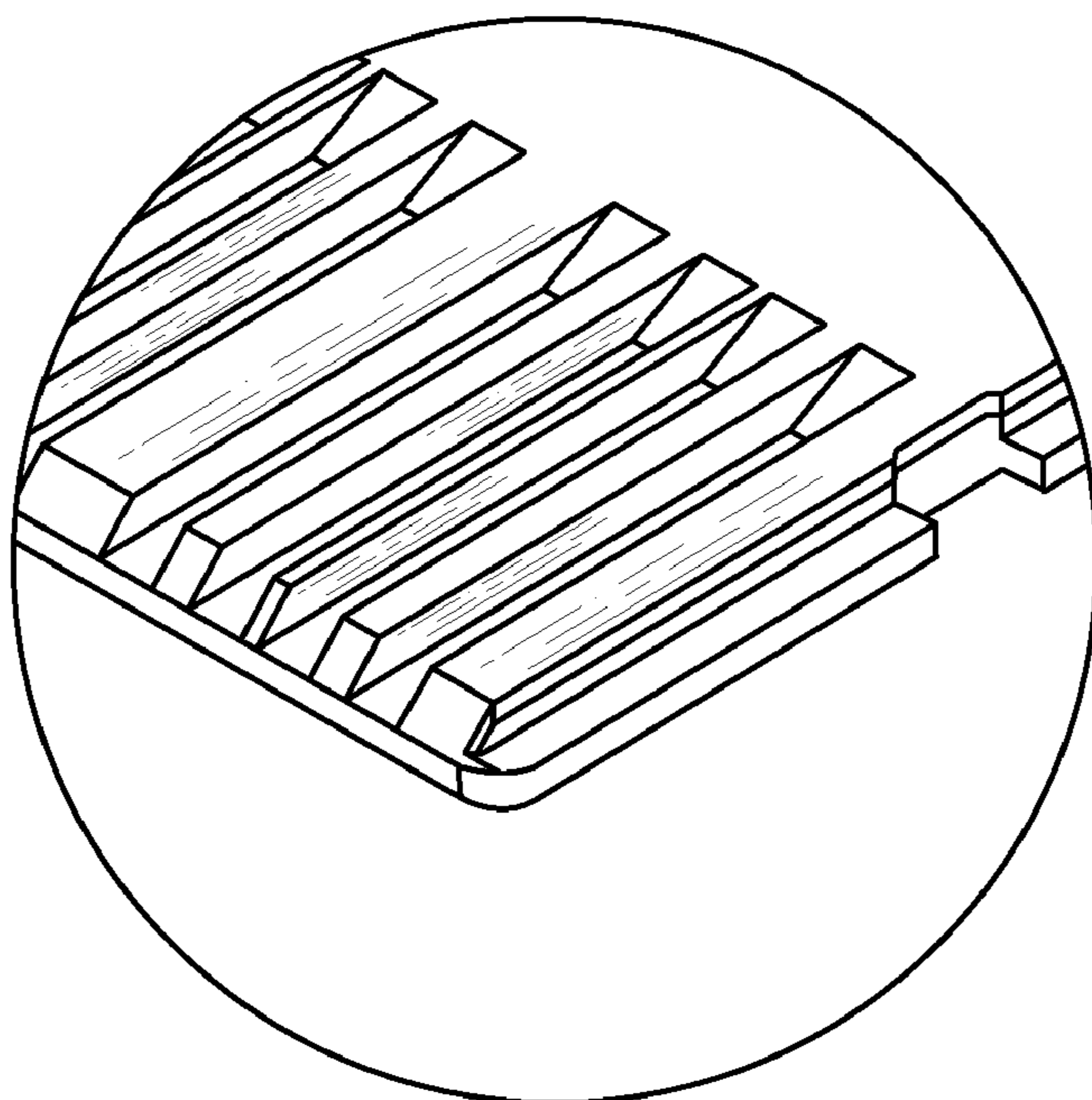
FIG. 4 shows a close-up of the inset in FIG. 3.

**1 Claim, 2 Drawing Sheets**

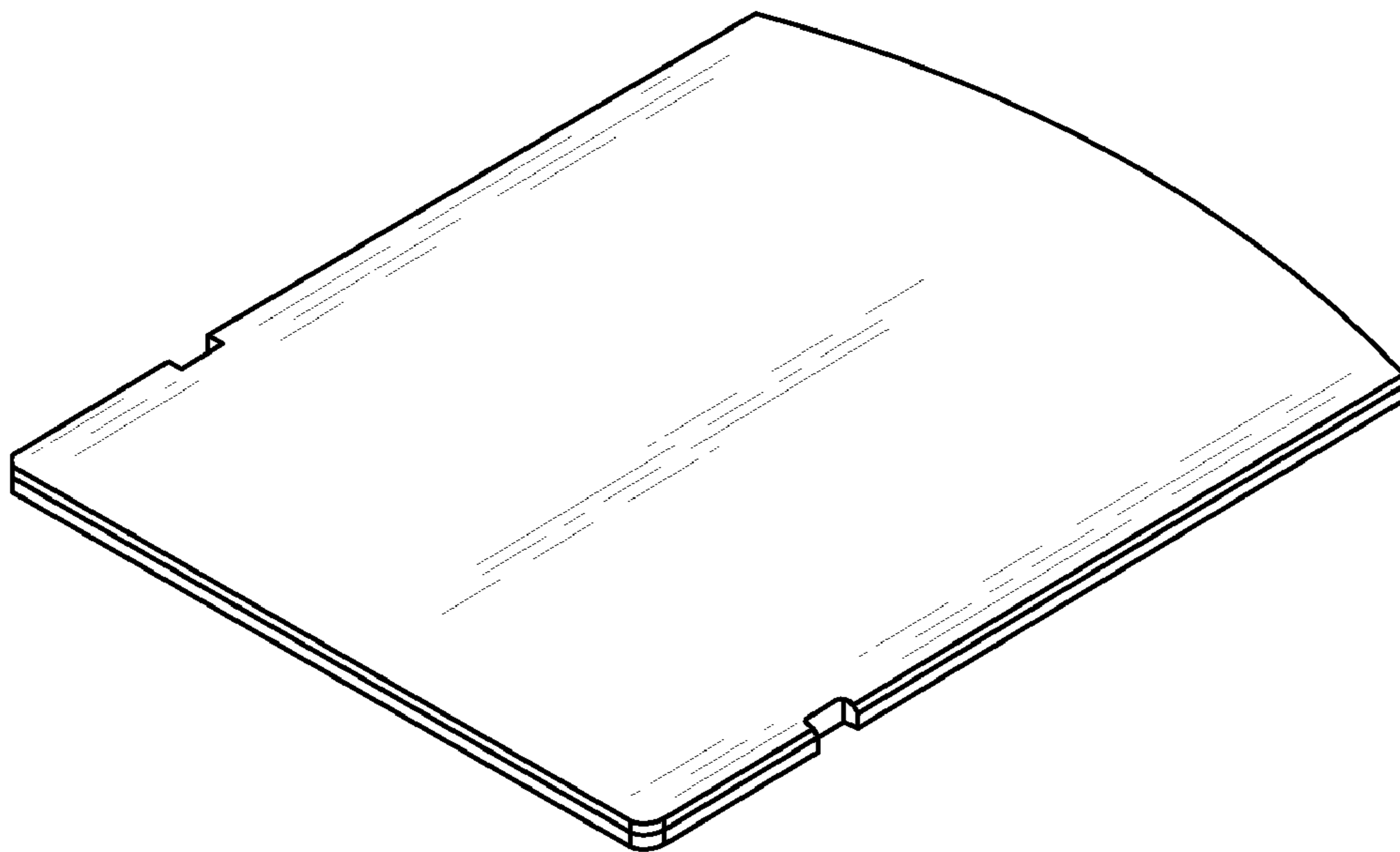




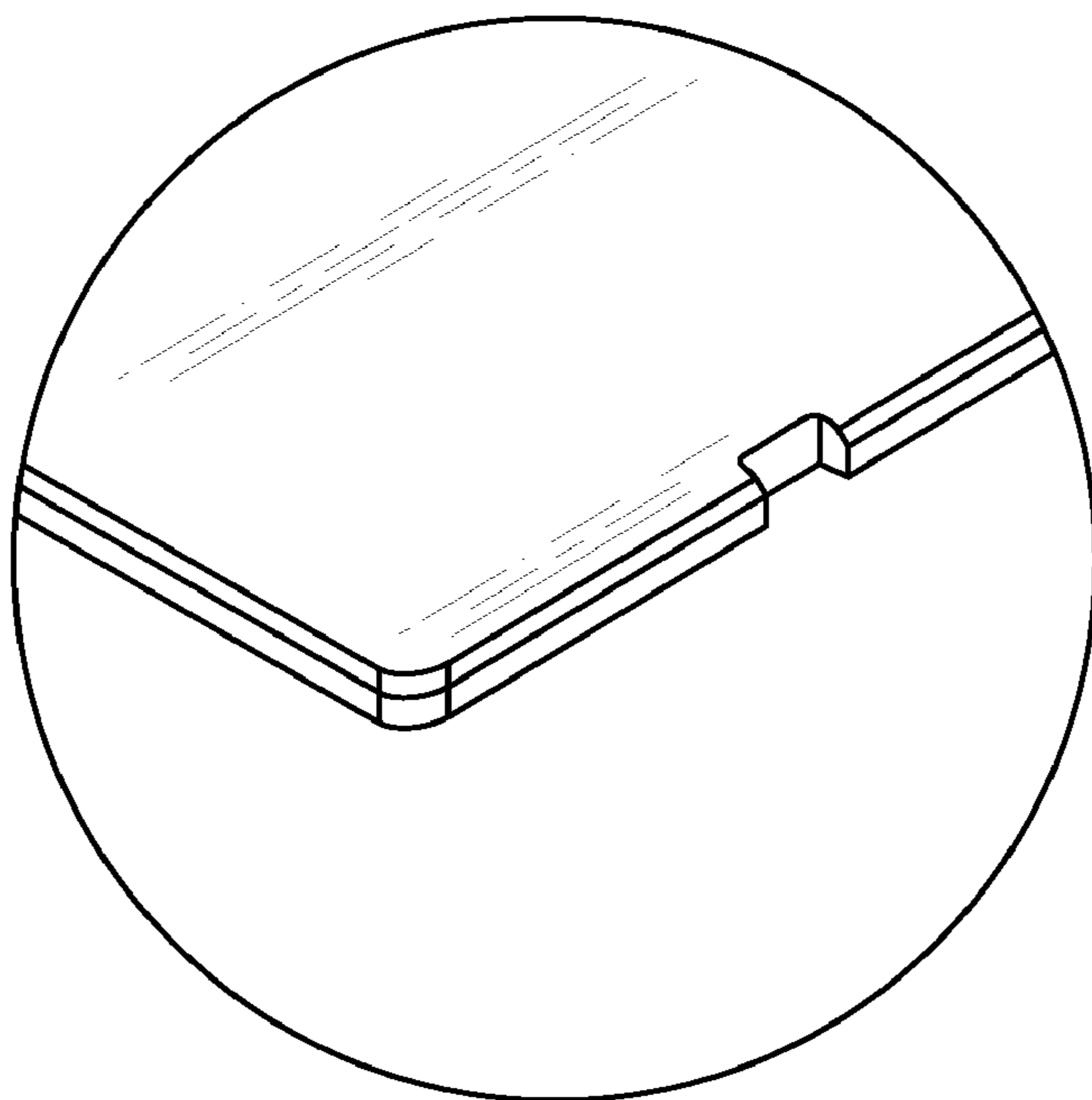
**FIG. 1**



**FIG. 2**



**FIG. 3**



**FIG. 4**