



US00D585067S

(12) **United States Design Patent**
Puglisi

(10) **Patent No.:** **US D585,067 S**
(45) **Date of Patent:** **** Jan. 20, 2009**

(54) **MEDIA PORT HUB**

(76) Inventor: **Marc Puglisi**, 25 Pier La. West,
Fairfield, NJ (US) 07004

(**) Term: **14 Years**

(21) Appl. No.: **29/286,516**

(22) Filed: **May 9, 2007**

(51) **LOC (9) Cl.** **14-02**

(52) **U.S. Cl.** **D14/434**

(58) **Field of Classification Search** D14/432-434,
D14/240, 238, 451, 356, 357, 358, 299, 339,
D14/256, 353, 300, 223; D13/146, 147,
D13/184, 123, 108, 164, 199, 101, 133, 165,
D13/139.6-139.8, 137.2; 361/600, 752,
361/728, 622, 723, 702, 724, 725, 683-686,
361/732, 733, 735, 730, 729, 785; 710/305,
710/313, 2, 303, 8, 100, 62-64, 72, 314-317;
439/501, 502, 131, 701, 535, 752.5, 638,
439/928, 652, 654, 650, 536, 74, 76.1, 528,
439/623, 639, 490, 910; 312/223.1; 257/711,
257/712; D1/127; 397/90.01, 93.01, 93.05;
709/223, 224; 345/168, 156; 473/424, 590,
473/594; 606/234-236; 441/80; 446/220,
446/34, 101, 124, 100, 120; 385/135, 16-18,
385/92; D30/160; D21/621, 631, 632, 594,
D21/635; D24/194; 379/433.01, 434, 419,
379/413.04; 220/4.02; D11/160, 136, 134,
D11/133, 101, 100, 99, 83, 82, 81, 53, 49,
D11/48, 44, 32, 31, 30, 14, 240, 239, 238,
D11/233, 232, 224, 223, 205, 204; D9/623

See application file for complete search history.

(56) **References Cited**

U.S. PATENT DOCUMENTS

D52,546 S * 10/1918 Schmelzer D21/631

1,648,199 A * 11/1927 Sargent 446/101
D155,329 S * 9/1949 Bindman D21/484
D194,105 S * 11/1962 More D13/137.2
D241,361 S * 9/1976 Crew D21/437
D243,029 S * 1/1977 Crew D21/437
D251,293 S * 3/1979 Trueblood D13/137.2
D274,444 S * 6/1984 Symons D21/621
D276,225 S * 11/1984 Powel D13/137.2
4,682,966 A * 7/1987 Kagan 446/101
D322,642 S * 12/1991 Crew D21/437
D365,750 S * 1/1996 Gouveia et al. D9/623
D366,282 S * 1/1996 Adams D19/83
D383,703 S * 9/1997 Koumi D11/83

(Continued)

Primary Examiner—Susan Moon Lee
(74) *Attorney, Agent, or Firm*—Howard C. Miskin, Esq.;
Gloria Tsui-Yip, Esq.

(57) **CLAIM**

The ornamental design for a media port hub, as shown and described.

DESCRIPTION

FIG. 1 is a perspective view of a media port hub showing my new design;

FIG. 2 is a front elevational view thereof;

FIG. 3 is a rear elevational view thereof;

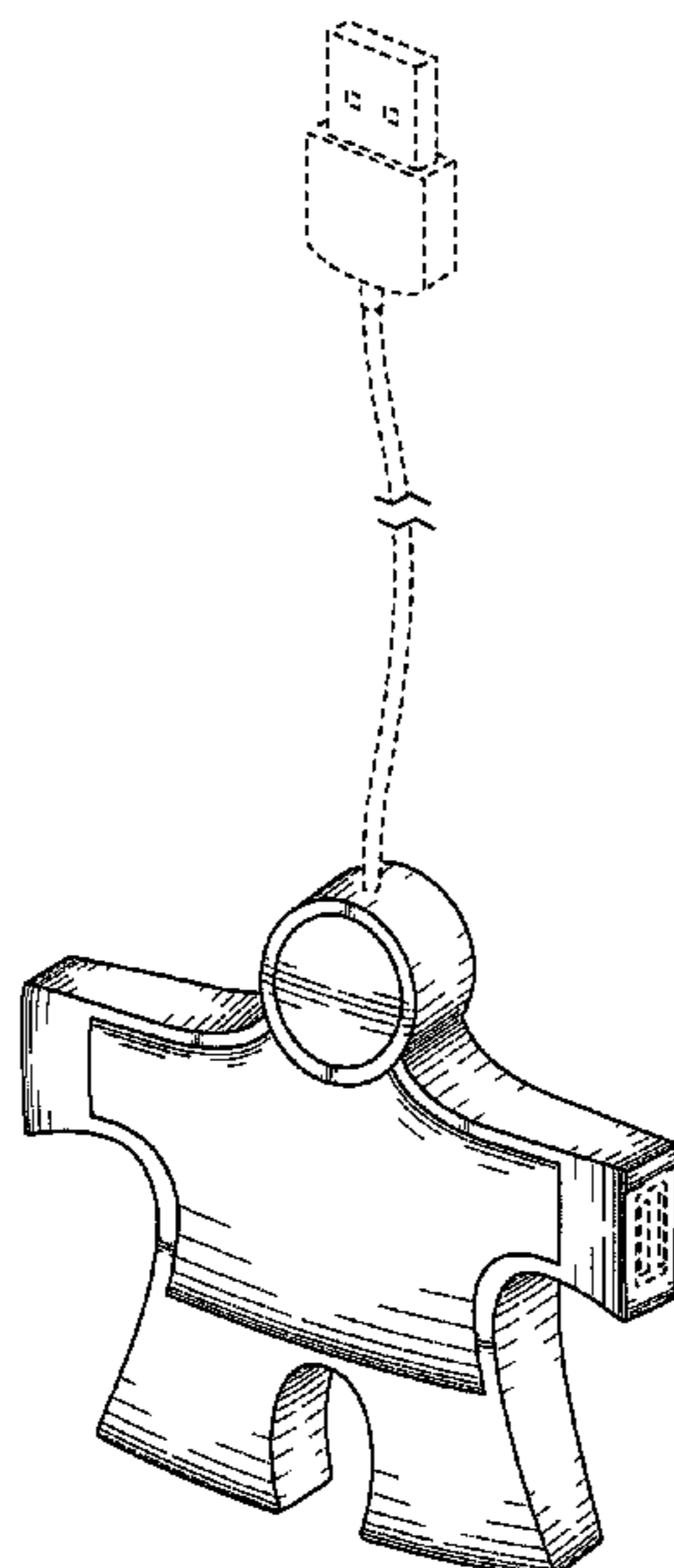
FIG. 4 is a right side view thereof, the left side view thereof being a mirror image;

FIG. 5 is a top plan view thereof; and,

FIG. 6 is a bottom plan view thereof.

Elements shown in broken line are not claimed. The broken line depiction of a media cable is shown broken away for ease of illustration.

1 Claim, 5 Drawing Sheets



US D585,067 S

Page 2

U.S. PATENT DOCUMENTS

D388,014 S	*	12/1997	Koumi	D11/83	D432,940 S	*	10/2000	Pottick	D11/83
D391,189 S	*	2/1998	Koumi	D11/83	6,315,617 B1	*	11/2001	Al-Sabah	439/652
D392,207 S	*	3/1998	Koumi	D11/83	D474,514 S	*	5/2003	Price et al.	D21/594
D395,843 S	*	7/1998	D'Ambrosio	D11/83	D483,331 S	*	12/2003	Adachi et al.	D13/139.7
D406,562 S	*	3/1999	Al-Sabah	D13/137.2	D483,723 S	*	12/2003	Adachi et al.	D13/139.7
D415,105 S	*	10/1999	Lee	D13/139.1	6,709,297 B2	*	3/2004	Lee	439/638
D417,157 S	*	11/1999	Chang	D10/8	D488,799 S	*	4/2004	Moore	D14/188
D429,450 S	*	8/2000	Hansen et al.	D7/634	7,066,767 B2	*	6/2006	Liao	439/639

* cited by examiner

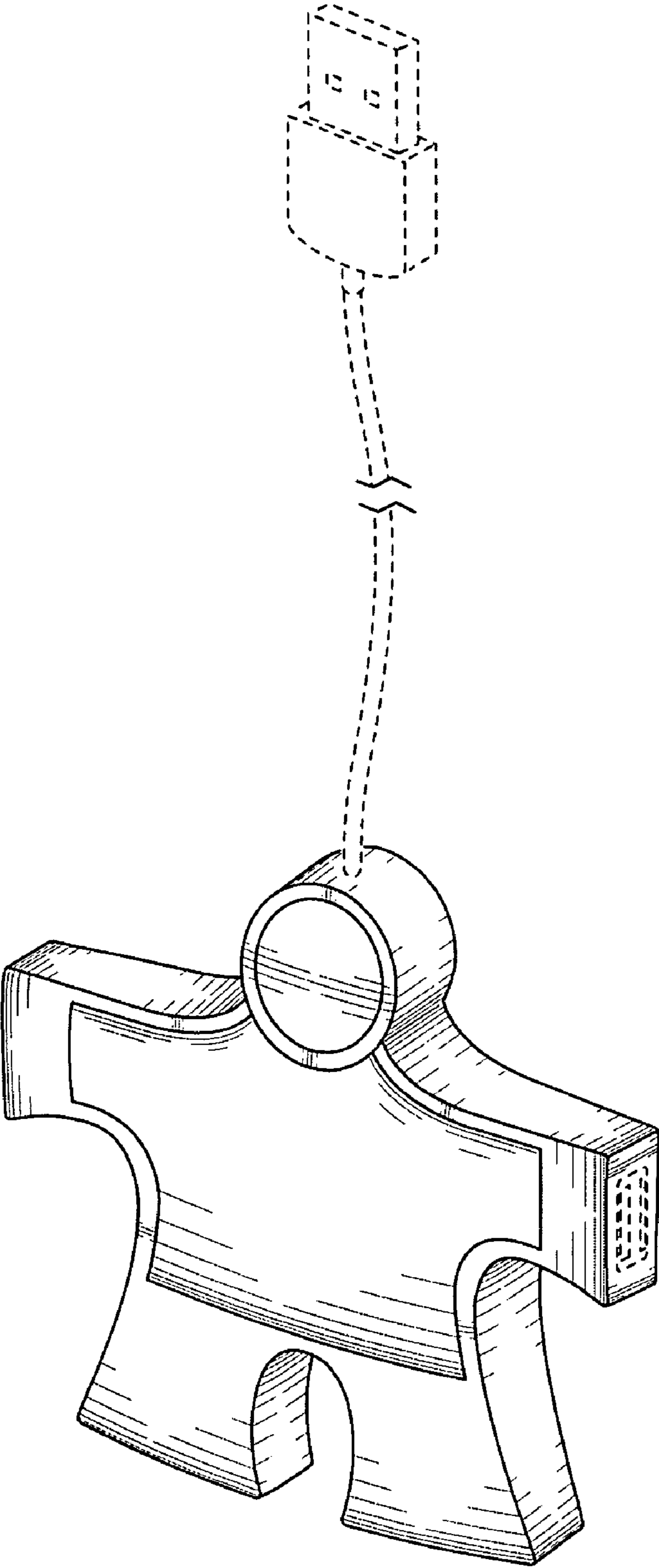


FIG. 1

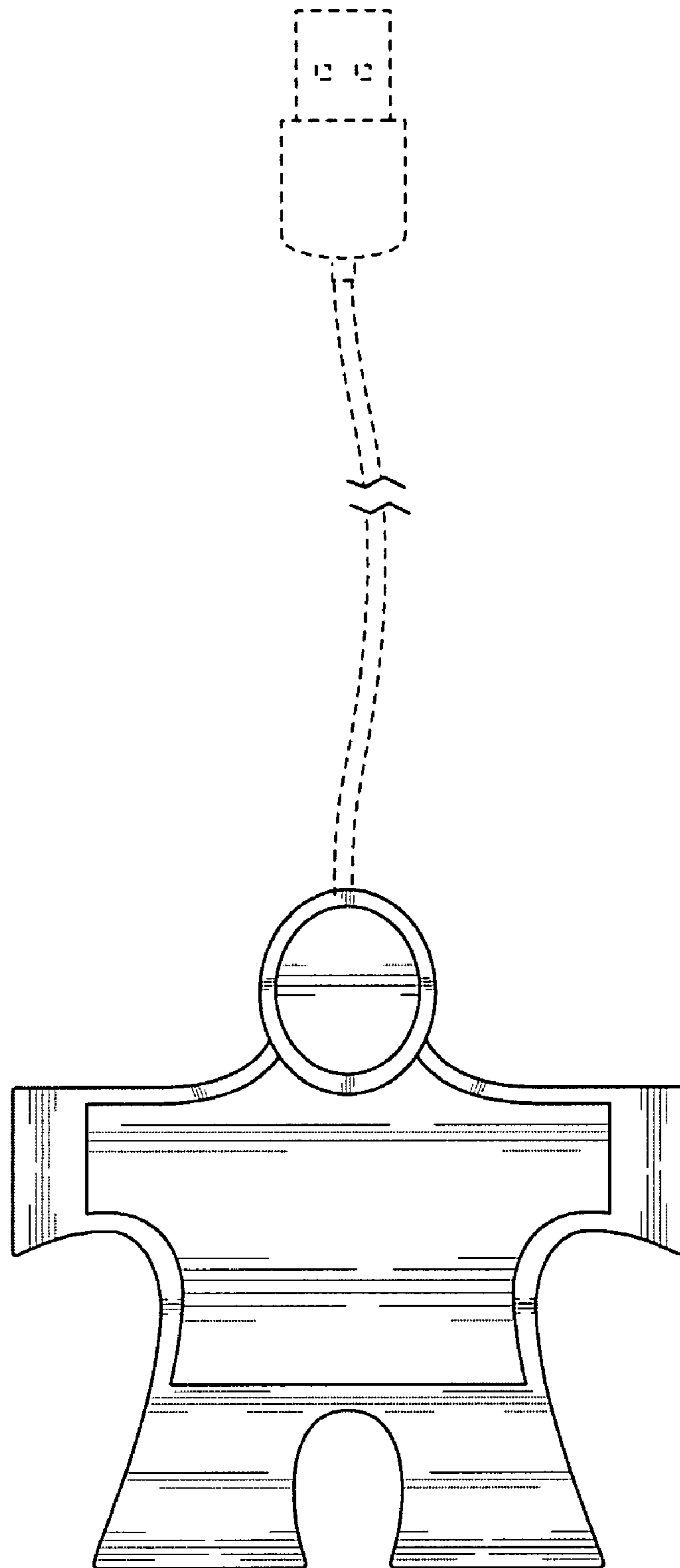


FIG. 2

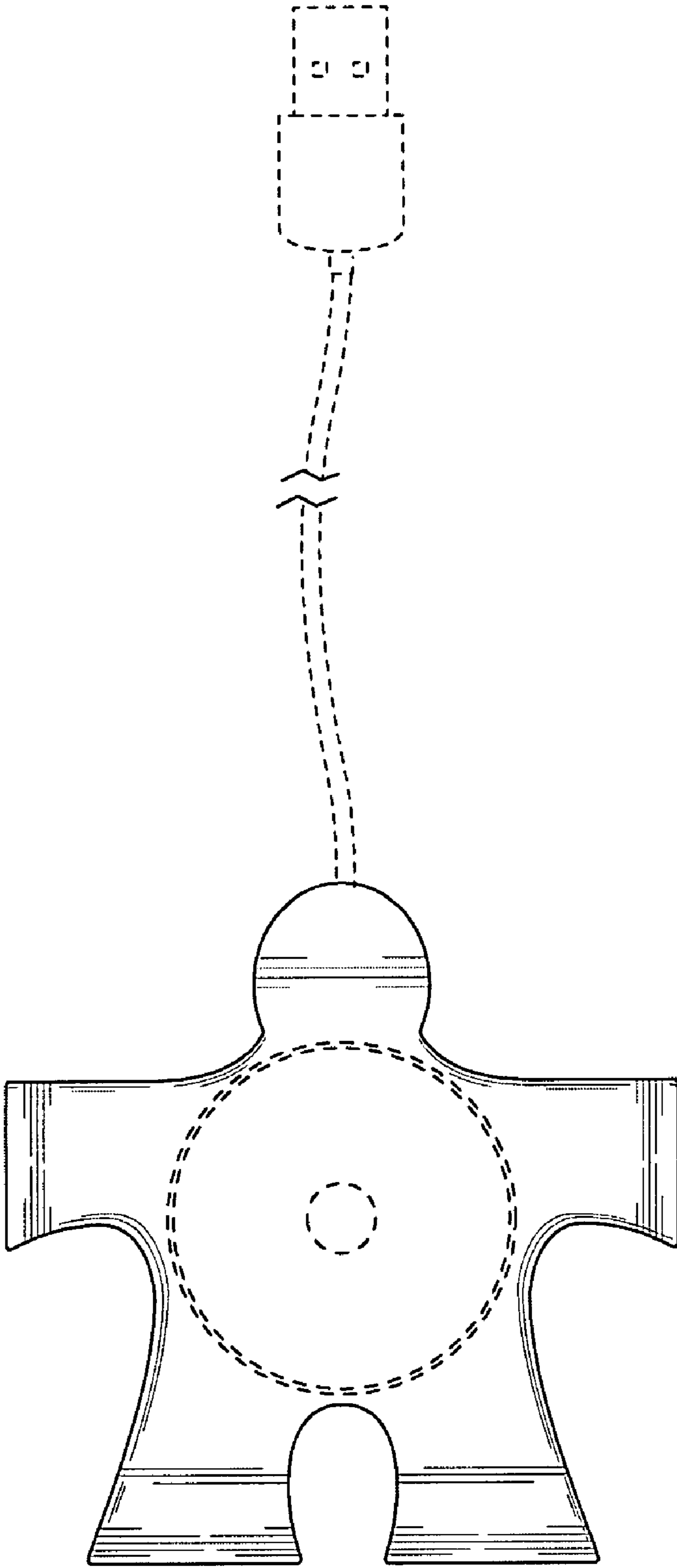


FIG. 3

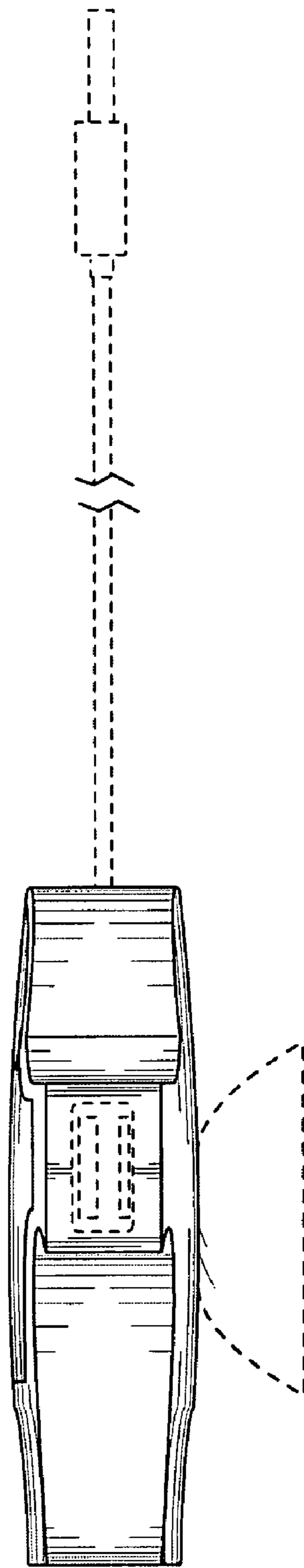


FIG. 4

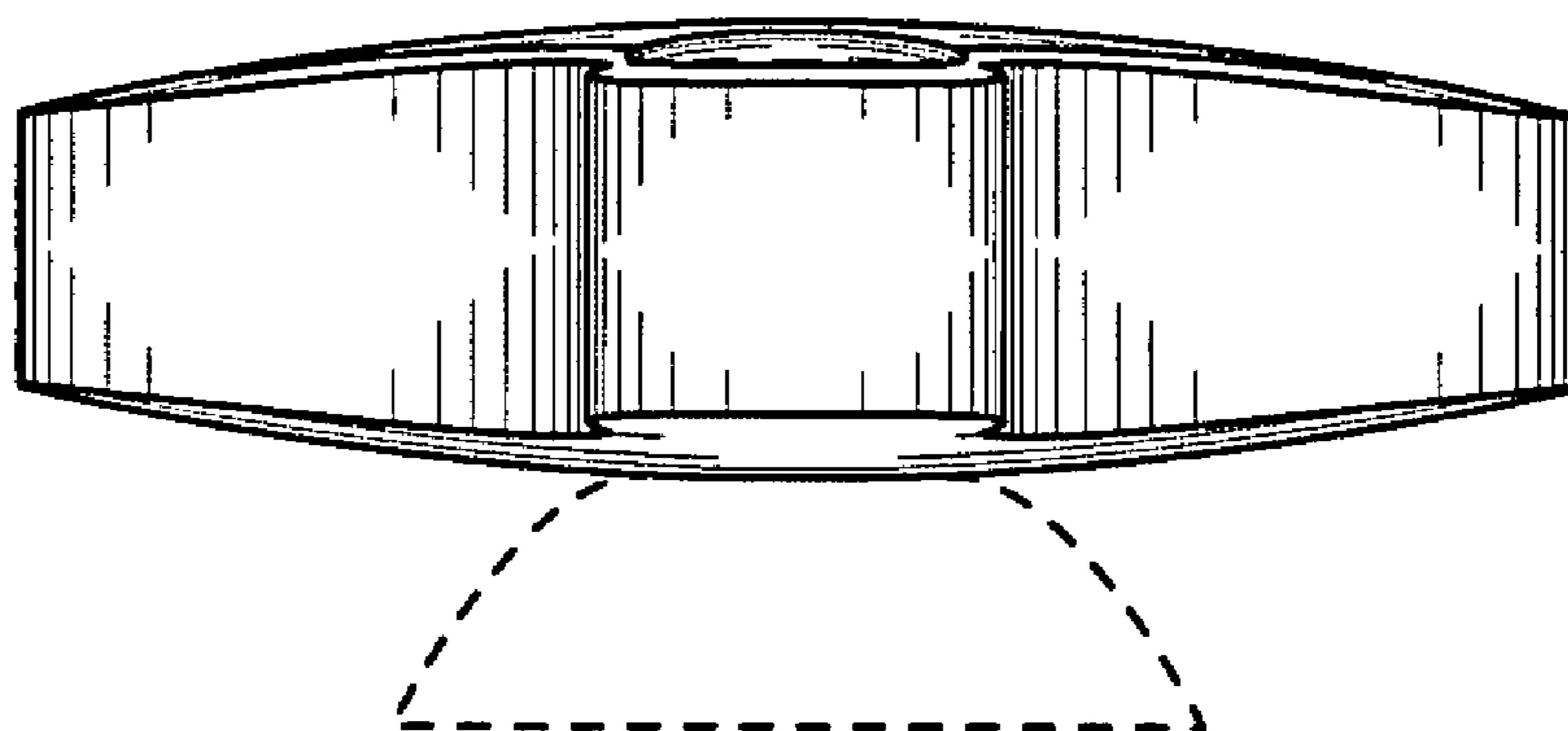


FIG. 5

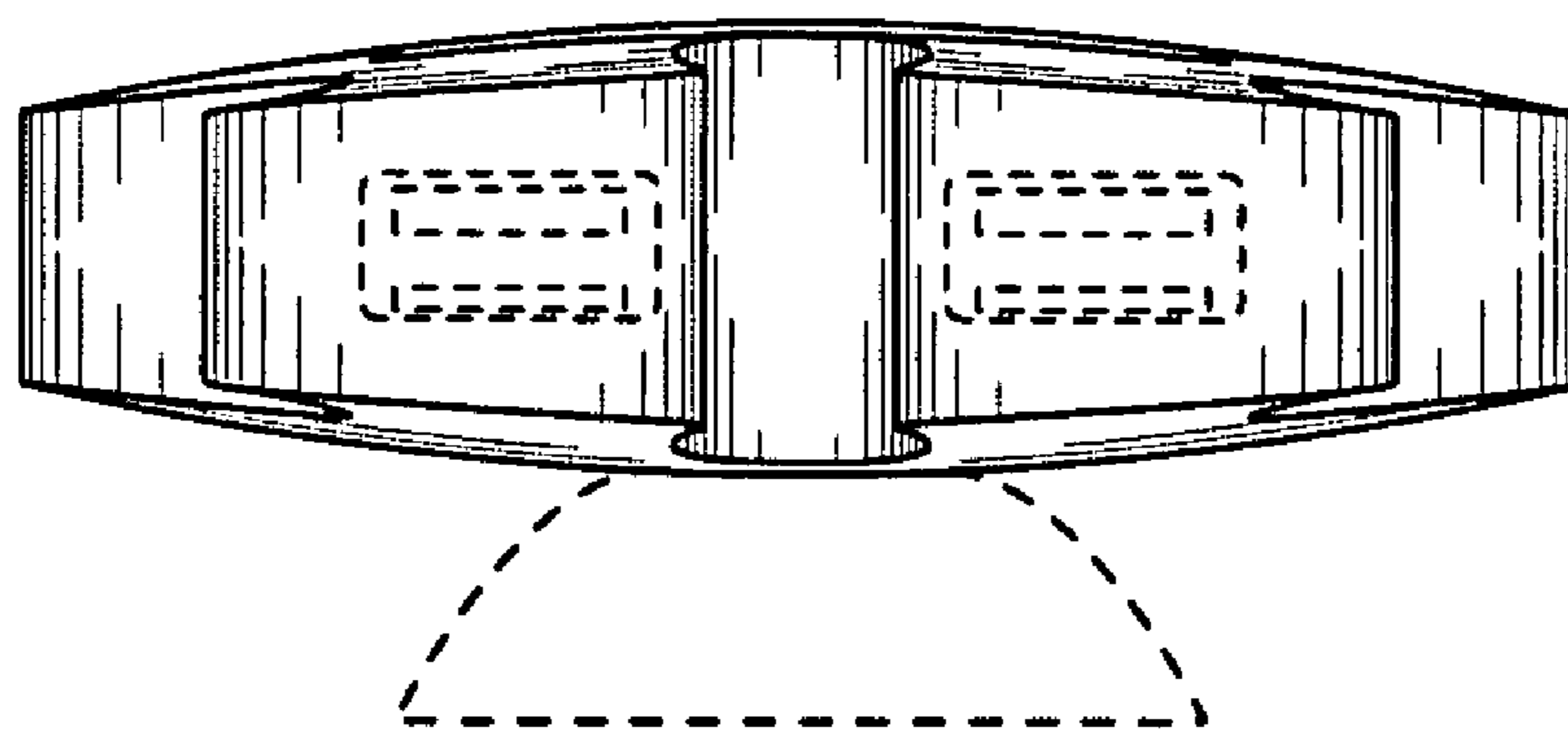


FIG. 6