



US00D585065S

(12) **United States Design Patent**
Kuroda

(10) **Patent No.:** **US D585,065 S**

(45) **Date of Patent:** **** Jan. 20, 2009**

(54) **SCANNER**

(75) Inventor: **Hiroyuki Kuroda**, Kahoku (JP)

(73) Assignee: **PFU Limited**, Ishikawa (JP)

(**) Term: **14 Years**

(21) Appl. No.: **29/290,827**

(22) Filed: **Jan. 17, 2008**

(30) **Foreign Application Priority Data**

Oct. 4, 2007 (JP) 2007-027119

(51) **LOC (9) Cl.** **14-02**

(52) **U.S. Cl.** **D14/425**

(58) **Field of Classification Search** D14/420,
D14/422, 424, 425, 464, 453; D18/36-39;
235/470; 355/72, 75, 40; 358/474, 486,
358/488, 494, 497

See application file for complete search history.

(56) **References Cited**

U.S. PATENT DOCUMENTS

- D340,039 S * 10/1993 Tashiro et al. D14/425
- D374,031 S * 9/1996 Ikenaga D18/50
- D380,742 S * 7/1997 van de Loo D14/425
- D381,322 S * 7/1997 Hashimoto et al. D14/425
- D405,065 S * 2/1999 Shimanuki et al. D14/425
- D421,425 S * 3/2000 Yamano et al. D14/425
- D443,277 S * 6/2001 Khovaylo et al. D14/425
- D450,668 S * 11/2001 Khovaylo et al. D14/425

- D451,921 S * 12/2001 Kawasaki et al. D14/425
- D461,812 S * 8/2002 Khovaylo et al. D14/425
- D464,655 S * 10/2002 Inukai D14/425
- D535,324 S * 1/2007 Park et al. D18/50

* cited by examiner

Primary Examiner—Susan Moon Lee

(74) *Attorney, Agent, or Firm*—Staas & Halsey LLP

(57) **CLAIM**

The ornamental design for a scanner, as shown and described.

DESCRIPTION

FIG. 1 is a front perspective view of a scanner showing my new design;

FIG. 2 is a front view thereof;

FIG. 3 is a rear view thereof;

FIG. 4 is a left side elevational view thereof;

FIG. 5 is a right side elevational view thereof;

FIG. 6 is a top plan view thereof;

FIG. 7 is a bottom plan view thereof;

FIG. 8 is a front perspective view of similar to FIG. 1 in the open position; and,

FIG. 9 is a front perspective view similar to FIG. 1 in another position without a cover.

The broken line in the drawings is for illustrative purpose only and forms no part of the claimed design.

1 Claim, 3 Drawing Sheets

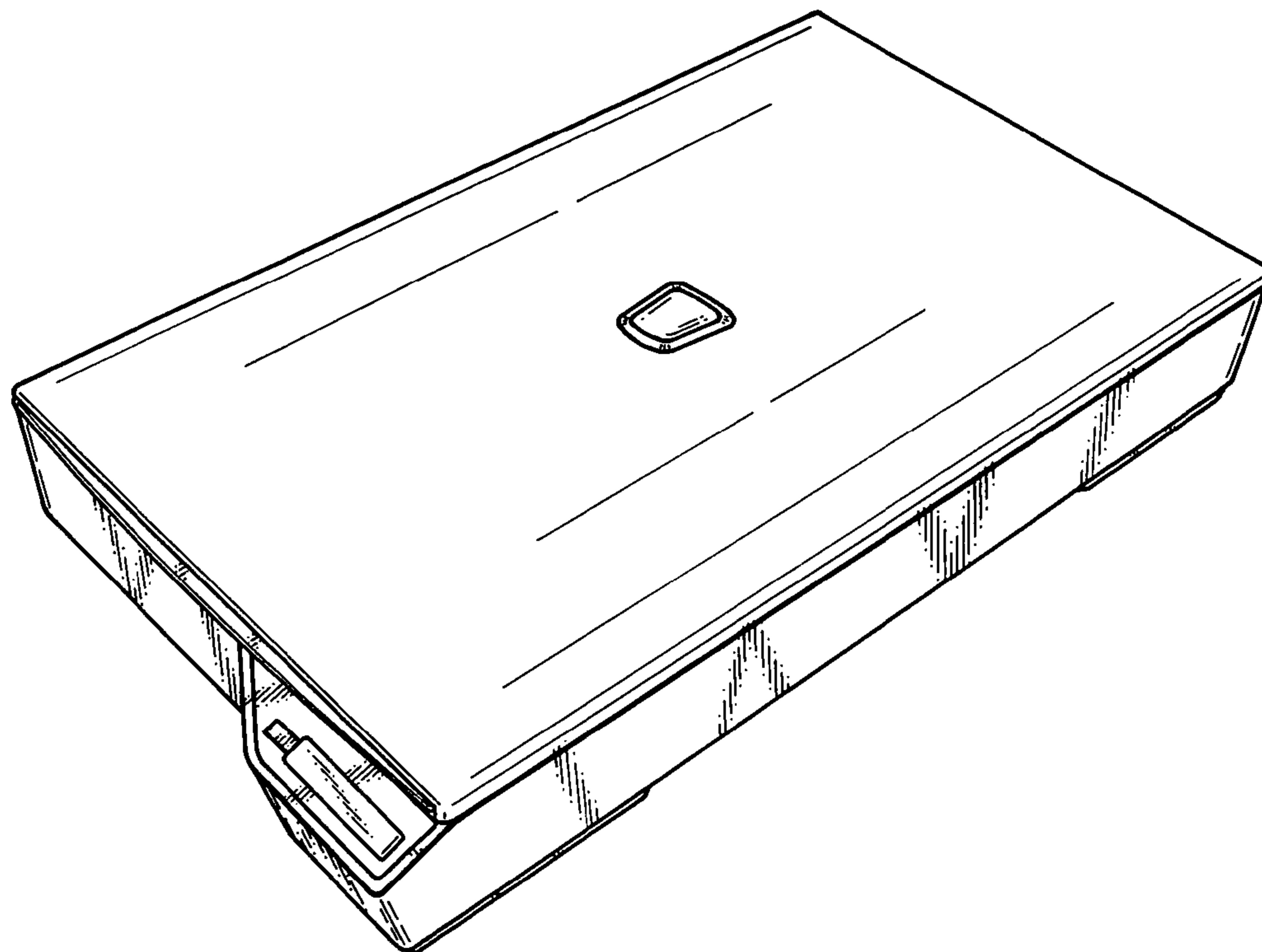


Fig.1

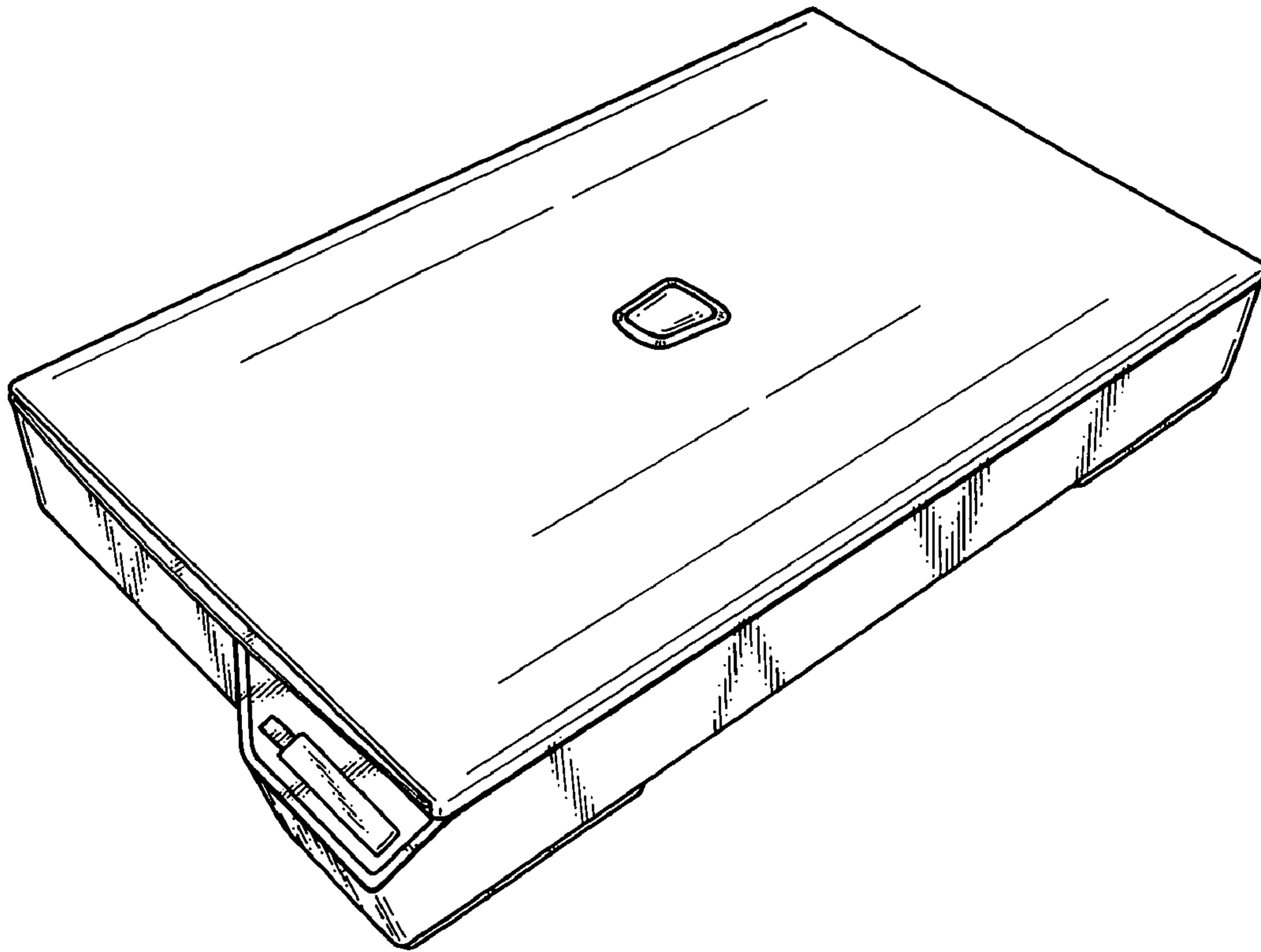


Fig.2

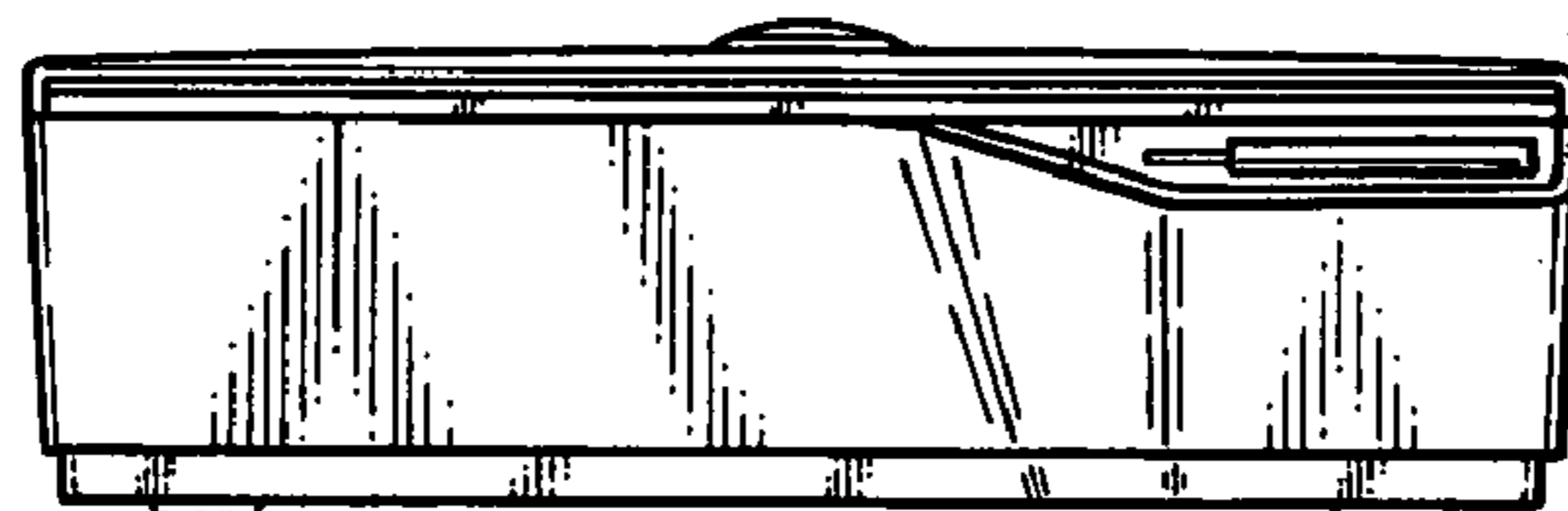


Fig.3

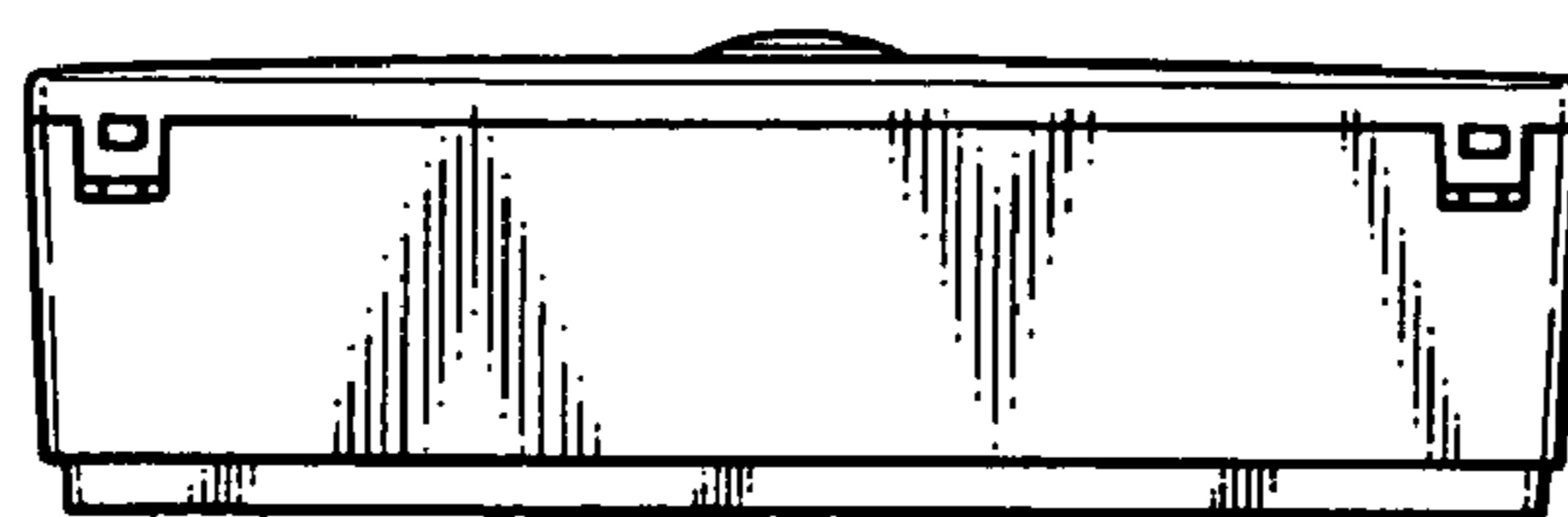


Fig.4

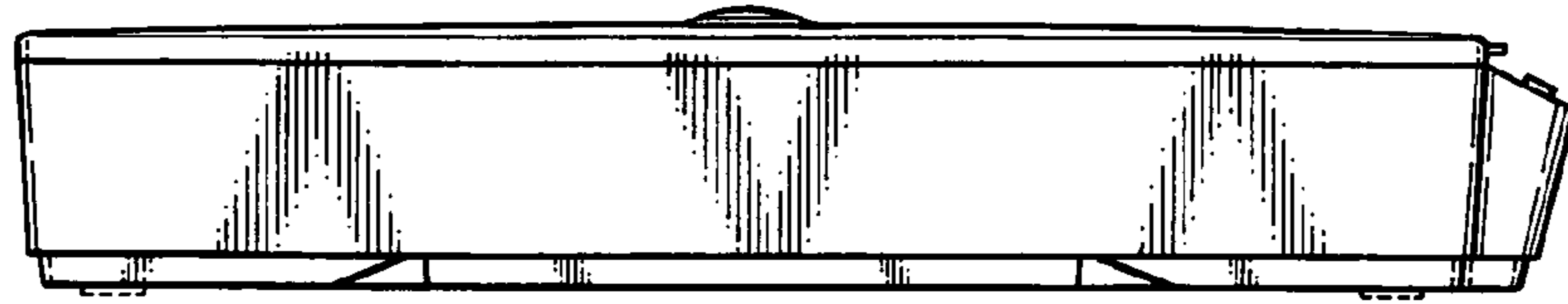


Fig.5

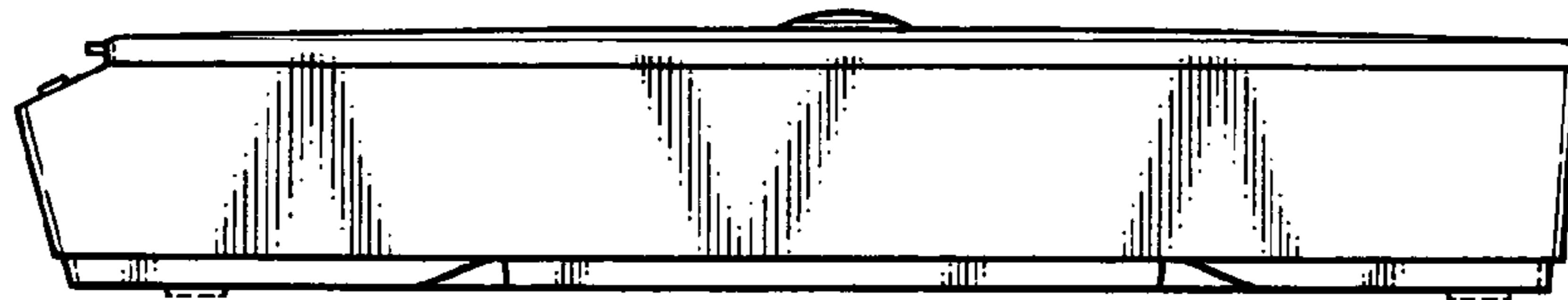


Fig.6

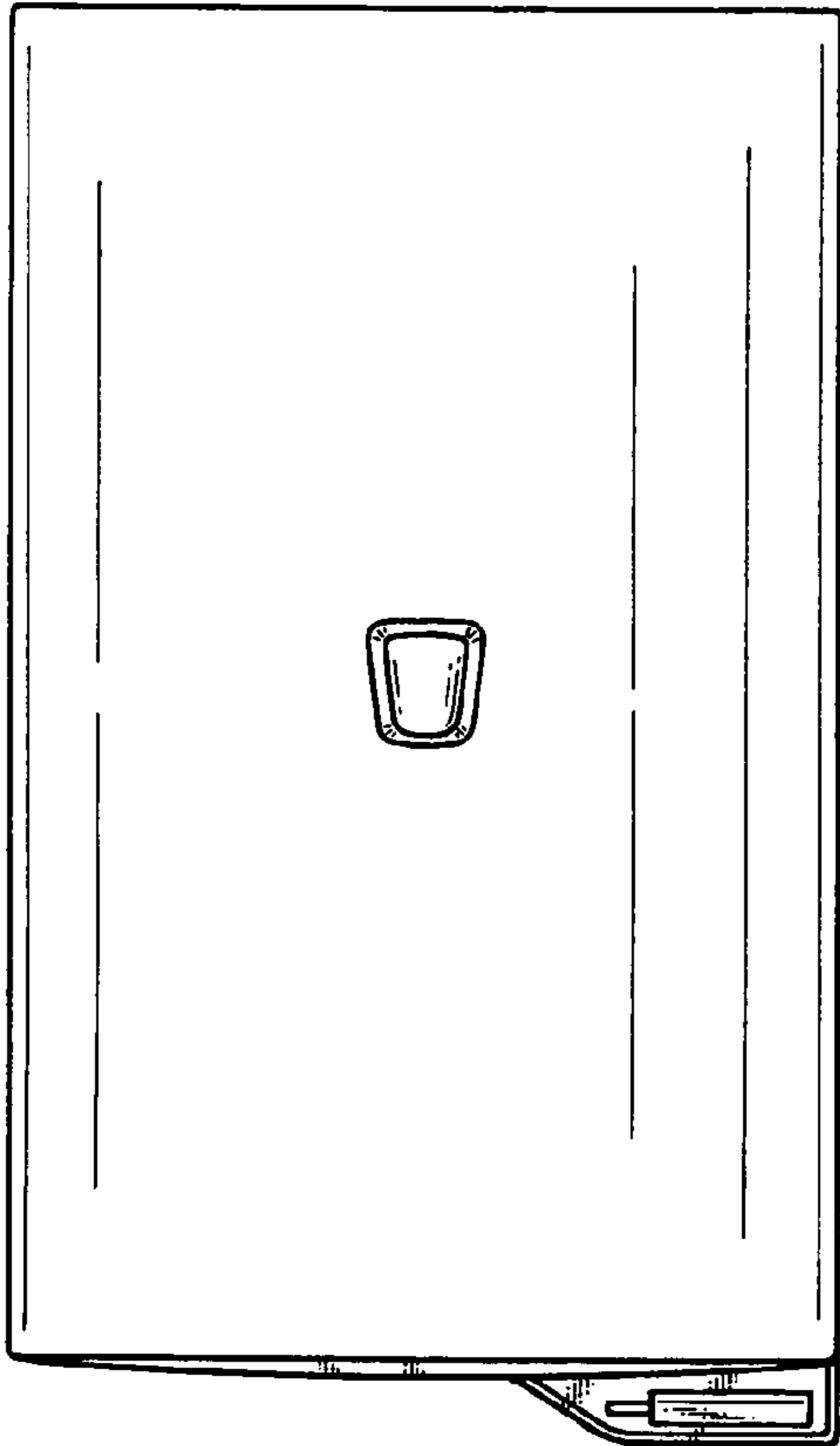


Fig.7

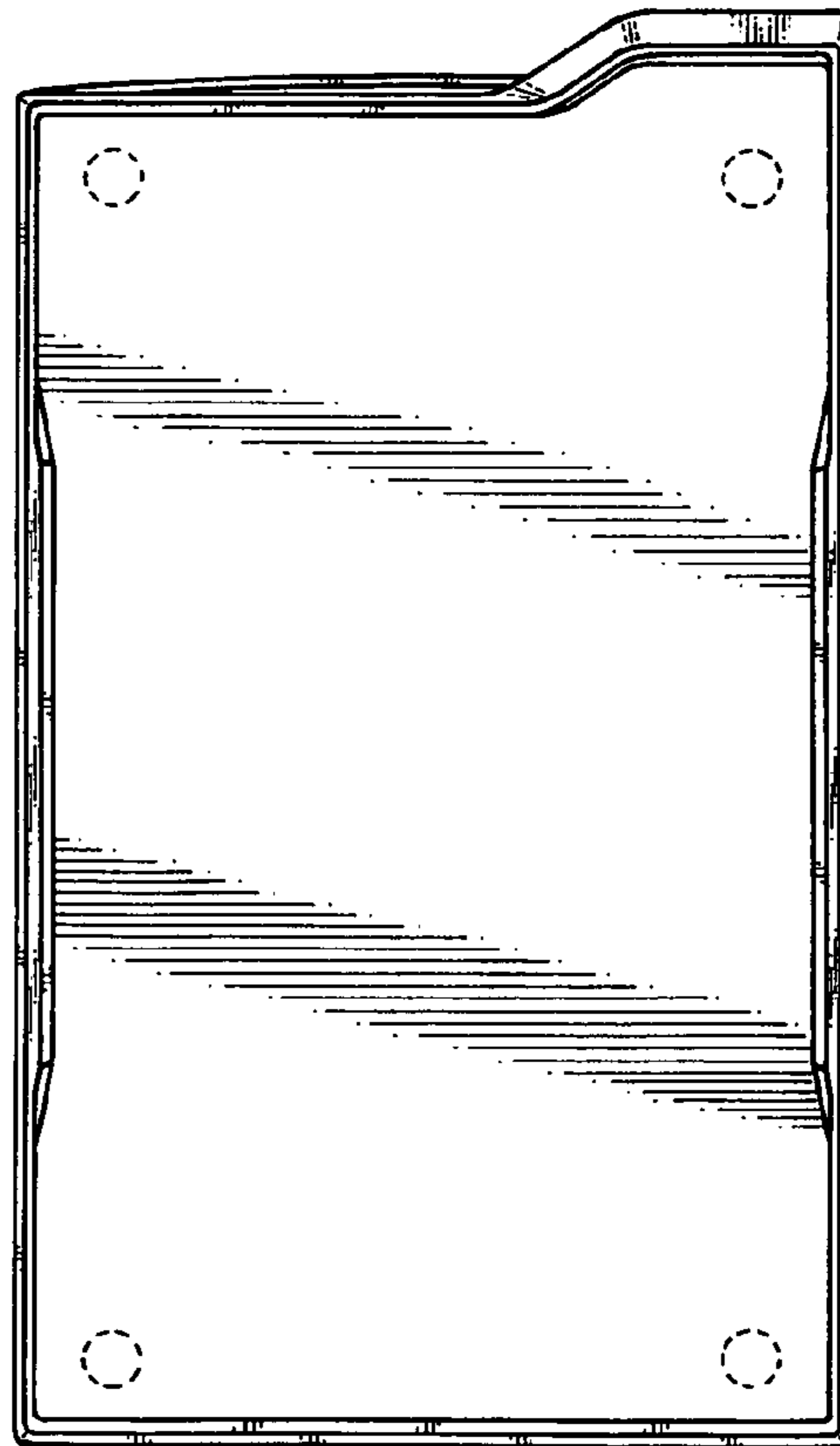


Fig.8

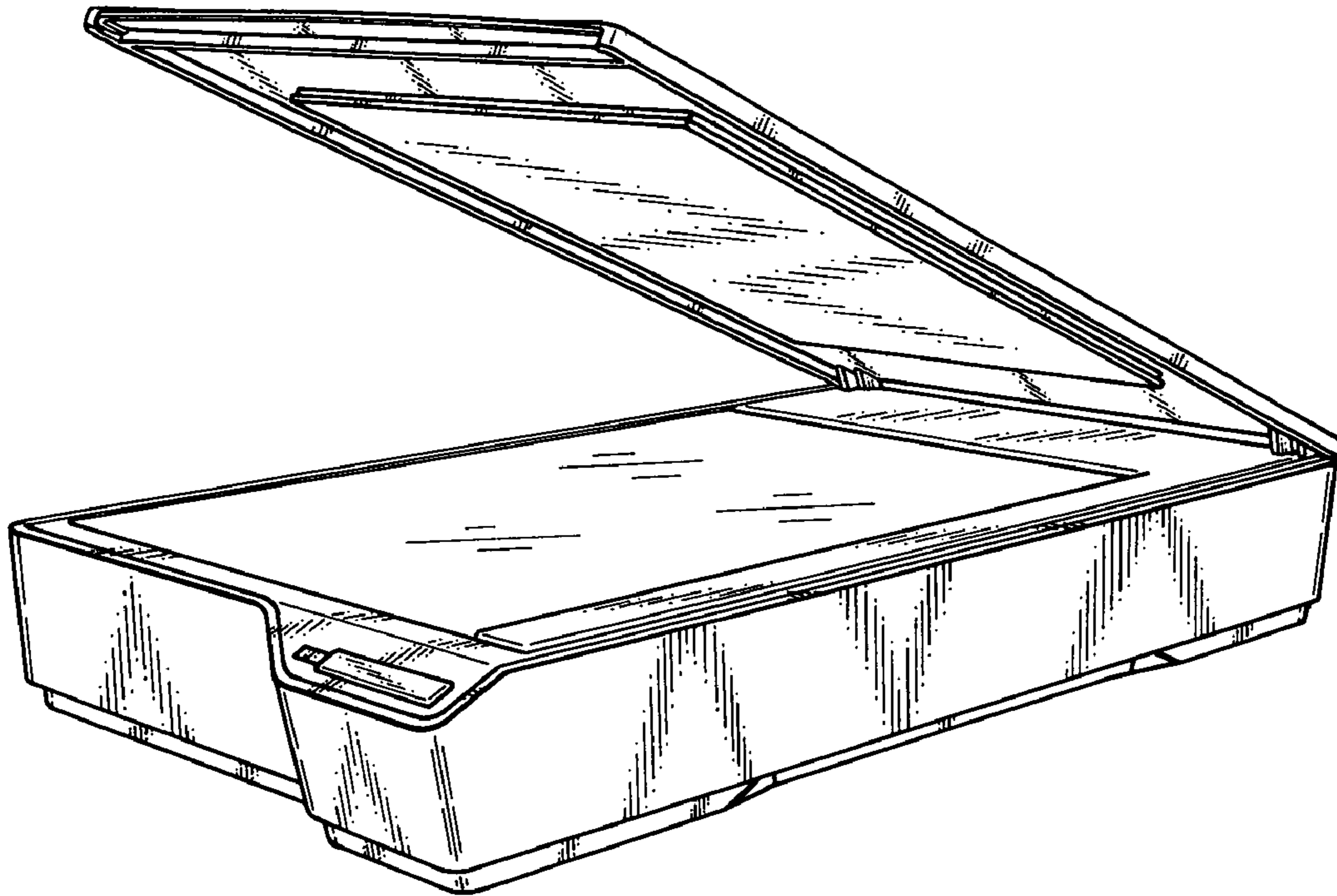


Fig.9

