



US00D585064S

(12) **United States Design Patent**
Sugitani et al.

(10) **Patent No.:** **US D585,064 S**
(45) **Date of Patent:** **** Jan. 20, 2009**

(54) **SCANNER**

D514,107 S 1/2006 Sugitani
D514,575 S * 2/2006 Sugitani et al. D14/422

(75) Inventors: **Minoru Sugitani**, Kahoku (JP); **Takashi Kondo**, Musashino (JP)

(73) Assignee: **PFU Limited**, Ishikawa (JP)

* cited by examiner

(**) Term: **14 Years**

Primary Examiner—Pamela J Burgess
Assistant Examiner—Susan Moon Lee
(74) *Attorney, Agent, or Firm*—Staas & Halsey LLP

(21) Appl. No.: **29/300,043**

(22) Filed: **Feb. 13, 2008**

(57) **CLAIM**

The ornamental design for a scanner, as shown and described.

(51) **LOC (9) Cl.** **14-02**

(52) **U.S. Cl.** **D14/422**

(58) **Field of Classification Search** D14/420–425,
D14/462–470, 389, 125, 399; D18/50, 54,
D18/55, 53, 36–39, 14, 18–21, 49, 52, 51,
D18/54.4; 358/400, 401, 448, 474, 486–488,
358/496; 382/312, 317, 321, 315; 400/613,
400/613.1–613.4, 690.1–690.4, 691–694,
400/88, 175; 399/107, 379, 380, 211, 212;
235/462.11, 462.41, 472.01, 470, 462.43;
361/680, 681

DESCRIPTION

FIG. 1 is a front perspective view of a scanner showing our new design;
FIG. 2 is a front view thereof;
FIG. 3 is a rear view thereof;
FIG. 4 is a right side view thereof;
FIG. 5 is a left side view thereof;
FIG. 6 is a top plan view thereof; and,
FIG. 7 is a bottom plan view thereof.

See application file for complete search history.

(56) **References Cited**

U.S. PATENT DOCUMENTS

D469,769 S * 2/2003 Sugitani et al. D14/425

1 Claim, 4 Drawing Sheets

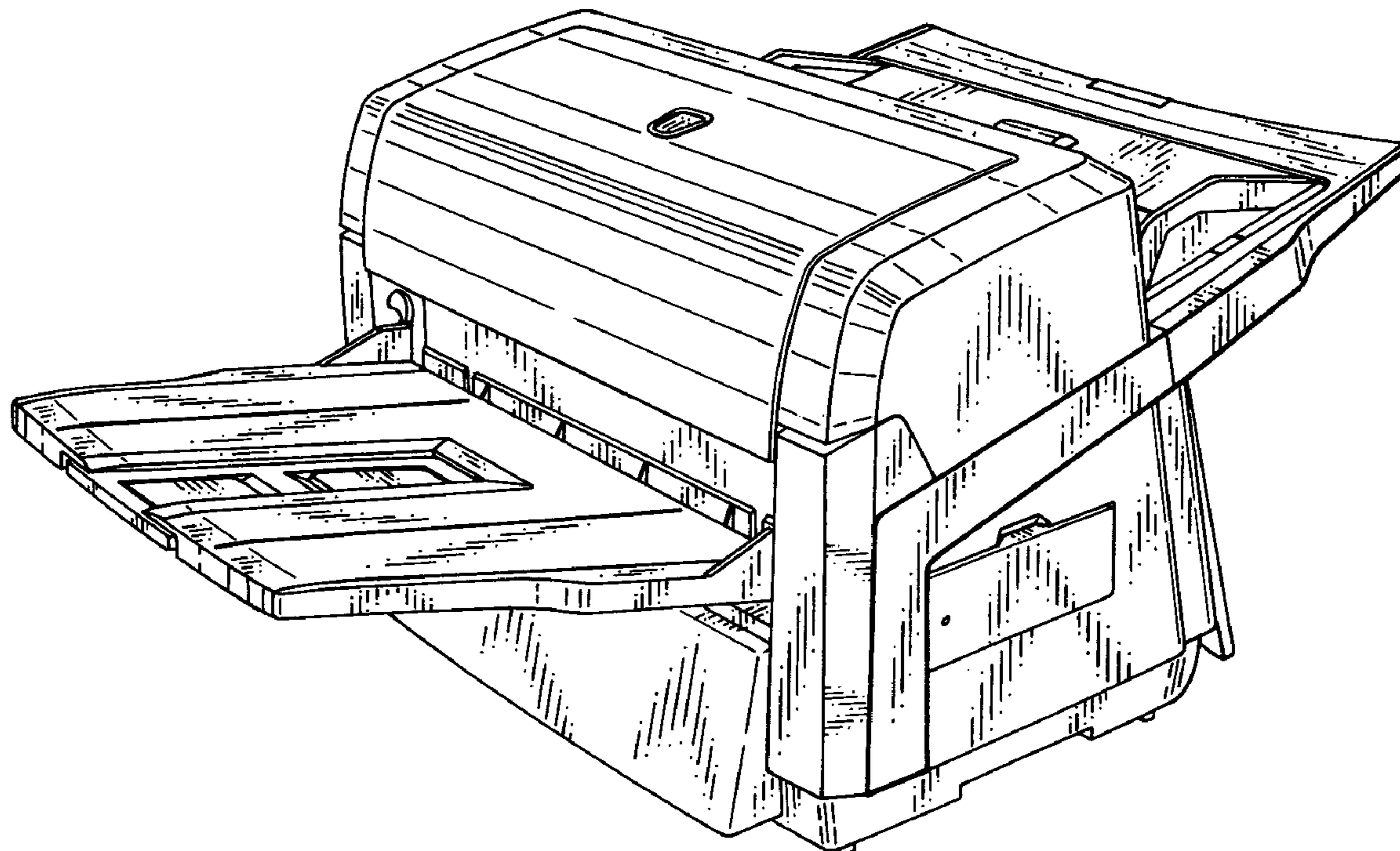


Fig. 1

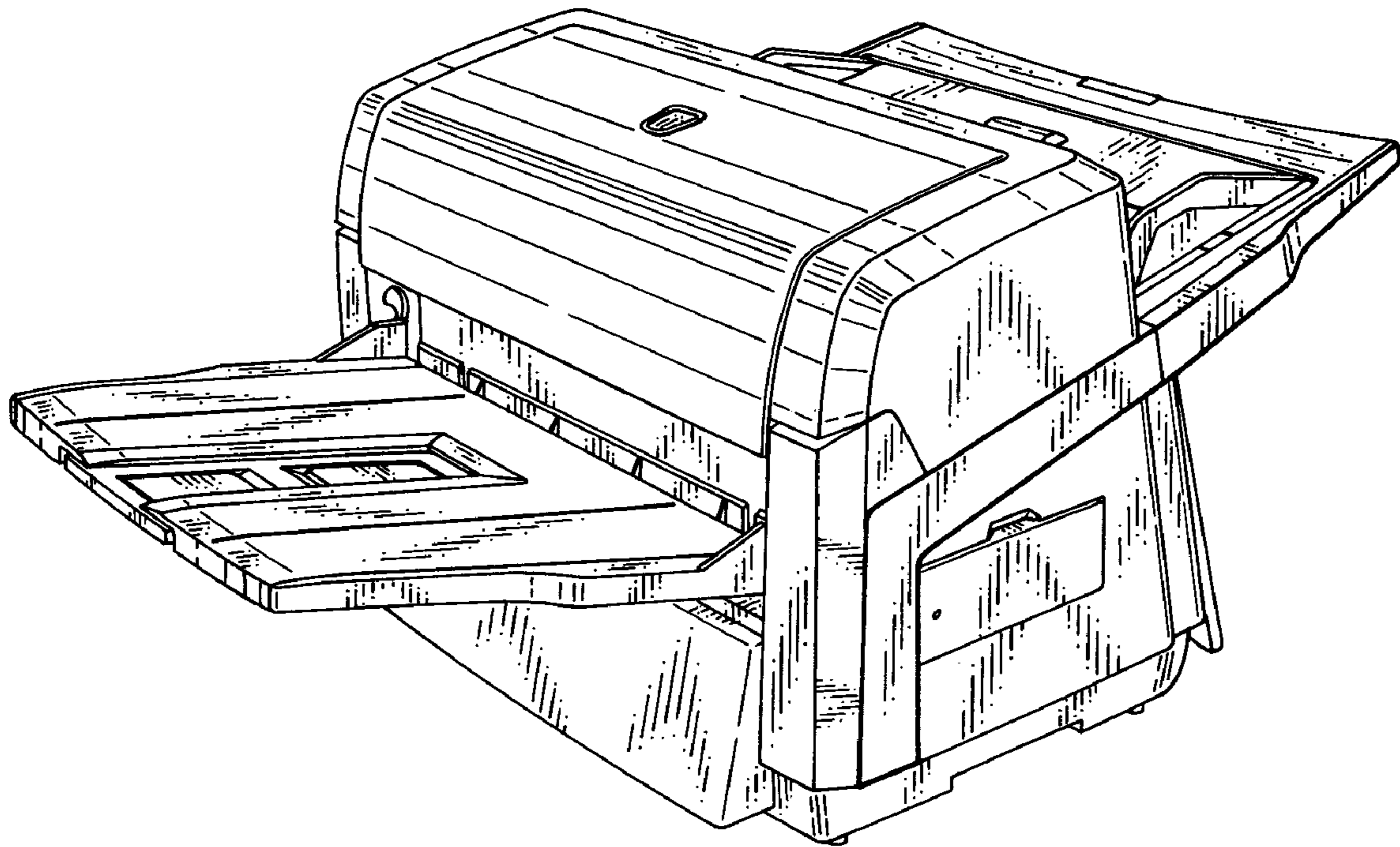


Fig.2

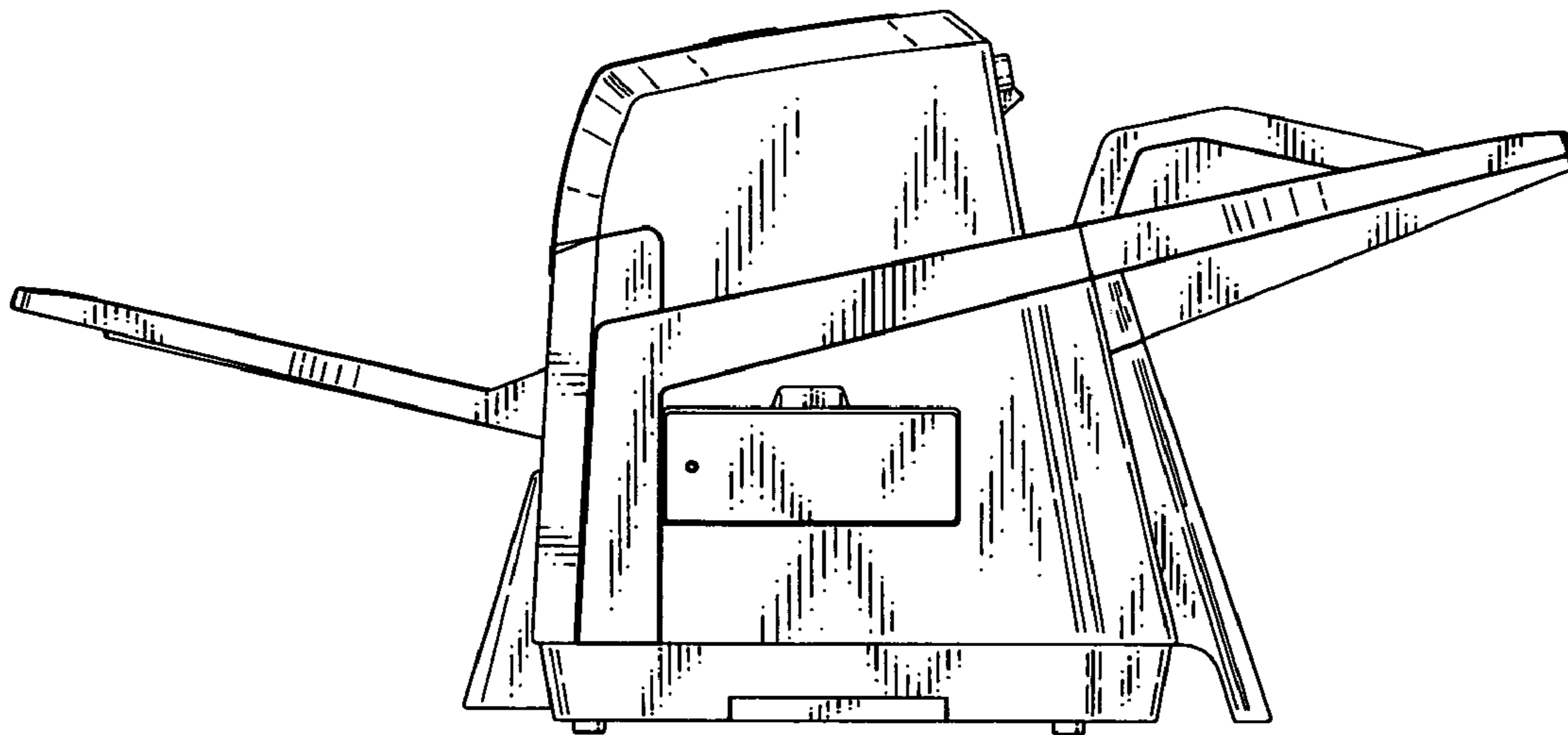


Fig.3

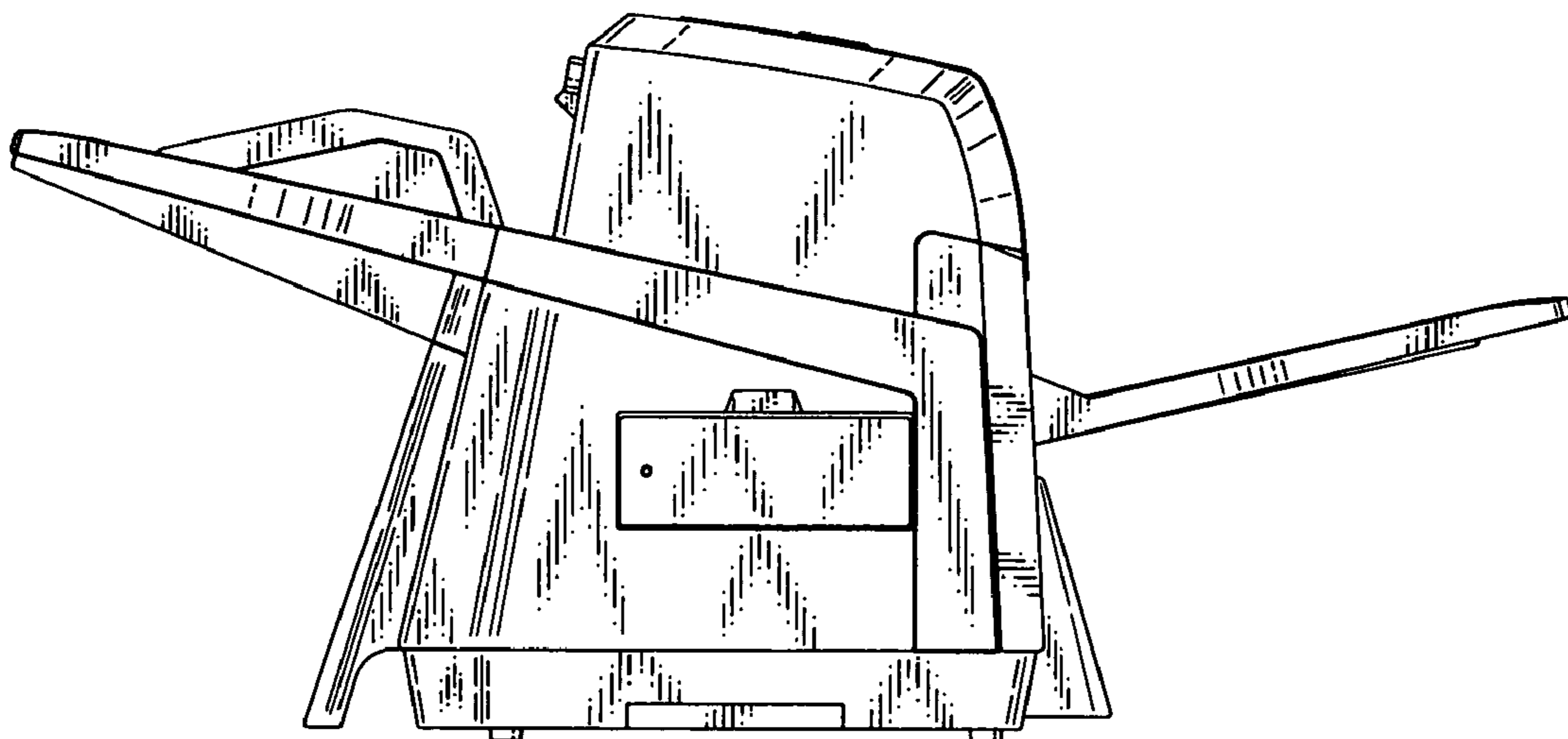


Fig. 4

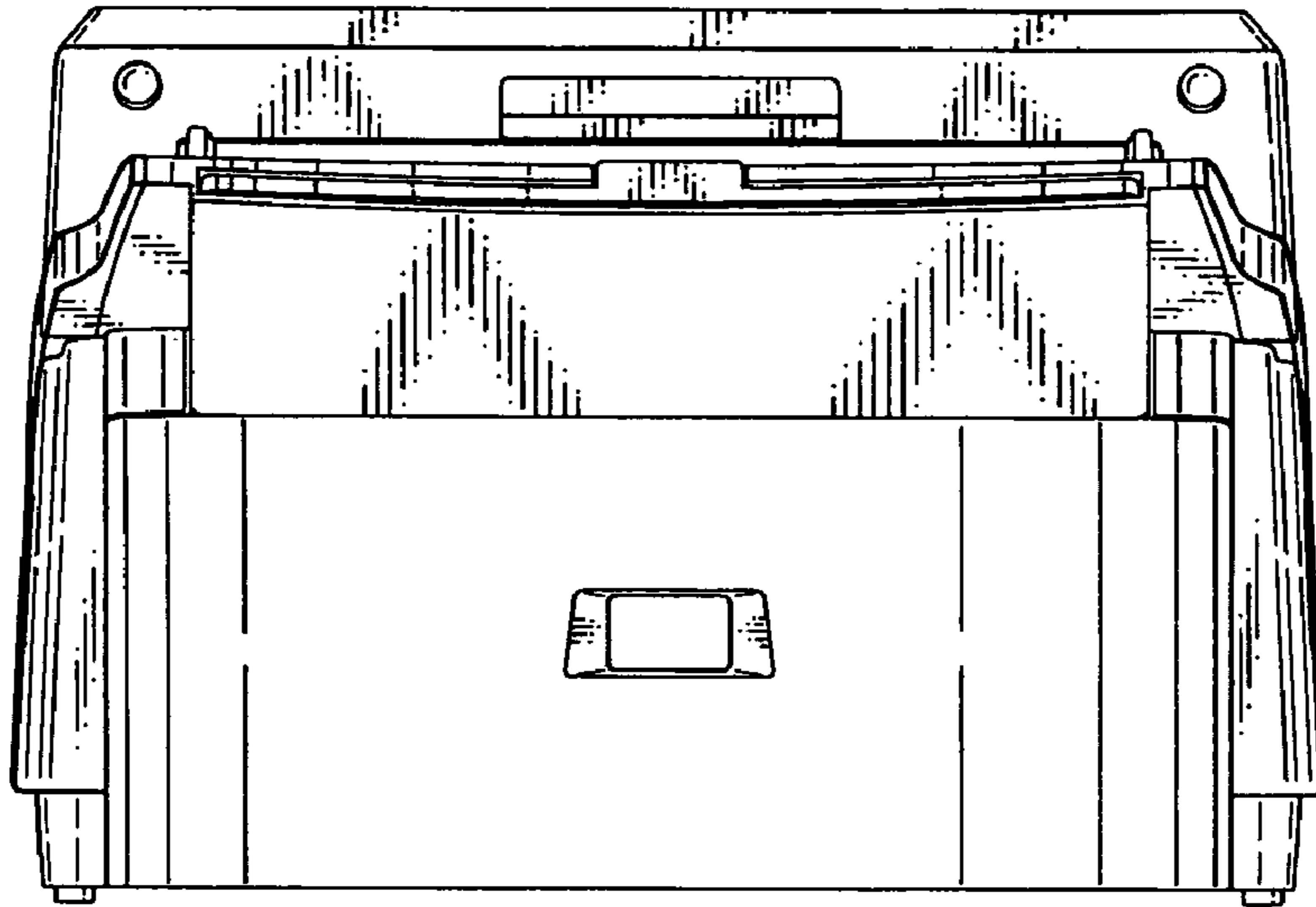


Fig. 5

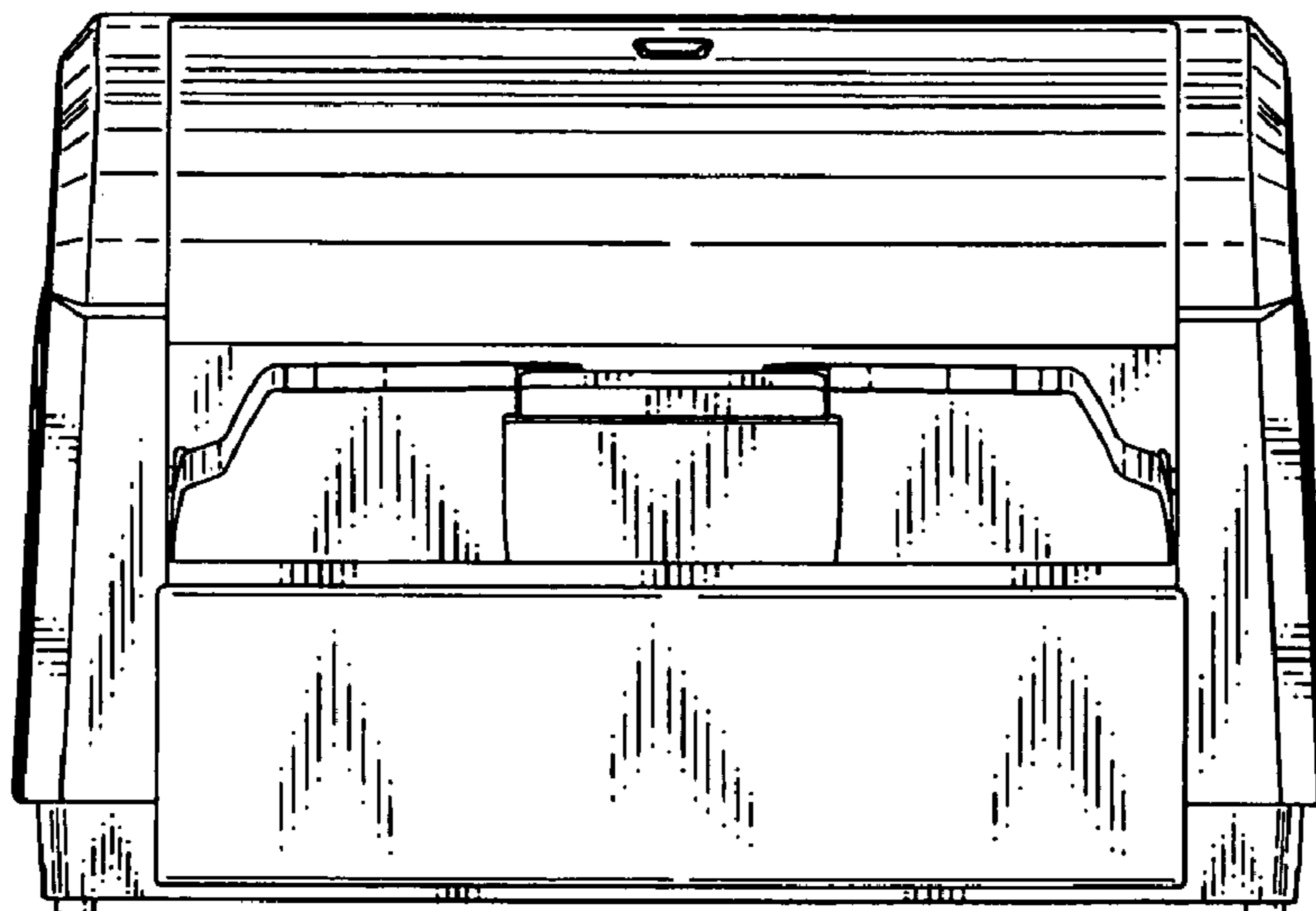


Fig.6

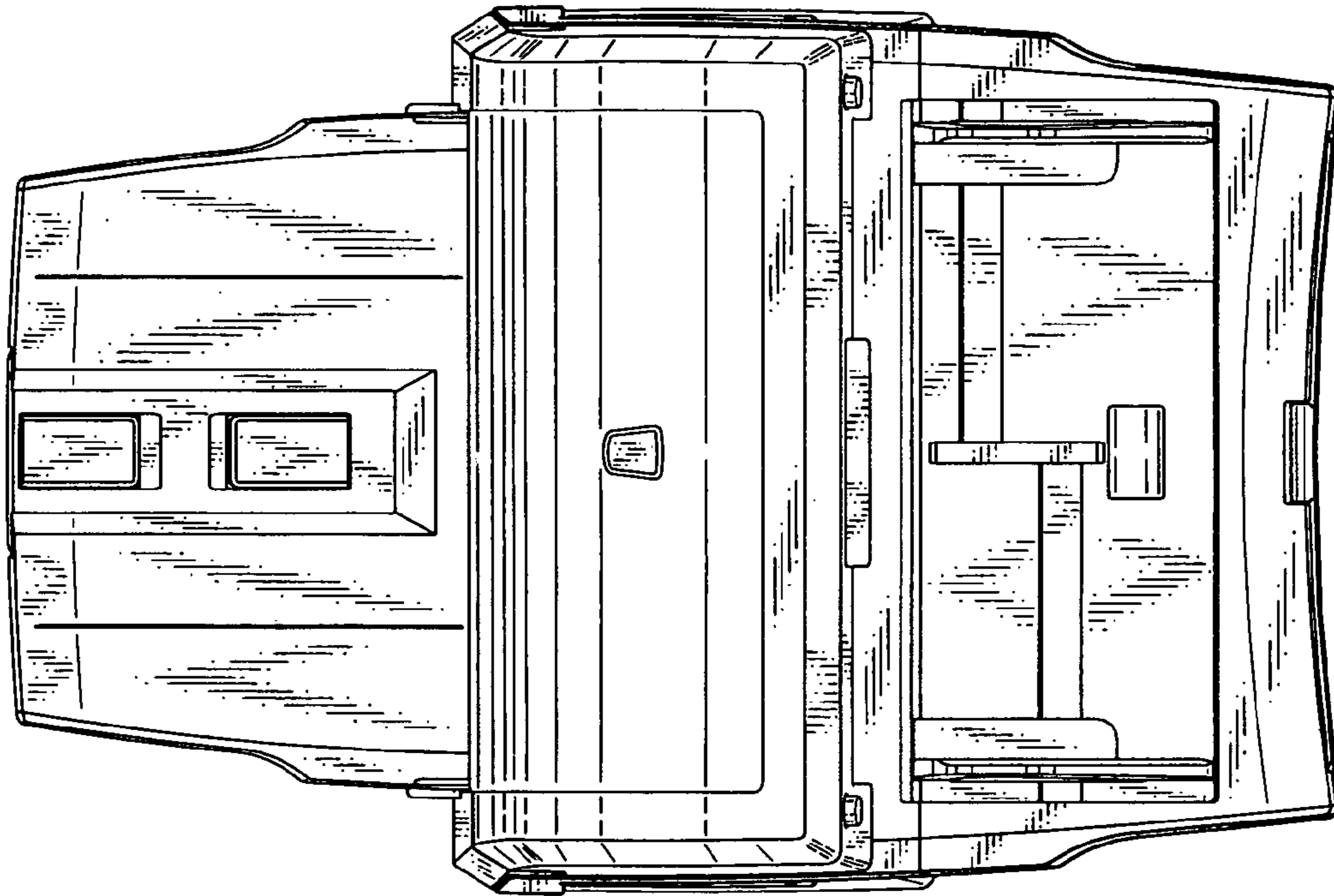


Fig.7

