



US00D585063S

(12) **United States Design Patent**
Hargreaves et al.

(10) **Patent No.:** **US D585,063 S**
(45) **Date of Patent:** **** Jan. 20, 2009**

(54) **KEYBOARD**

(75) Inventors: **William Hargreaves**, Bellevue, WA (US); **Drew Carlson**, Seattle, WA (US); **Mark Ando**, Seattle, WA (US); **Jerry Yamamoto**, Seattle, WA (US); **Jon Biggs**, Lake Forest Park, WA (US); **Carsten Buus**, Snohomish, WA (US)

(73) Assignee: **Kinesis Corporation**, Bothell, WA (US)

(**) Term: **14 Years**

(21) Appl. No.: **29/298,046**

(22) Filed: **Nov. 27, 2007**

(51) **LOC (9) Cl.** **14-02**

(52) **U.S. Cl.** **D14/393**

(58) **Field of Classification Search** D14/391-399;
D18/1, 2, 6, 7; 200/5 A, 5 R, 6 A, 6 R; 235/145 A,
235/145 R; 178/17 A, 17 C; 341/22, 23;
345/160, 168, 169; 400/484-486, 488, 489,
400/492; 361/680-686

See application file for complete search history.

(56) **References Cited**

U.S. PATENT DOCUMENTS

1,202,213 A	10/1916	Patten	
1,336,151 A	4/1920	O'Connor	
1,395,049 A	10/1921	McNamara	
1,589,193 A	6/1926	Mathews	
1,652,464 A	12/1927	Tyberg	
2,040,248 A	5/1936	Dvorak et al.	197/100
2,192,594 A	3/1940	Brand et al.	197/11
3,022,878 A	2/1962	Seibel et al.	197/19
3,663,733 A	5/1972	Murakami	84/1.01
3,805,939 A	4/1974	Ross	197/19
3,911,234 A	10/1975	Kotaka	200/5 A
3,929,216 A	12/1975	Einbinder	197/100
3,940,758 A	2/1976	Margolin	340/337
3,945,482 A	3/1976	Einbinder	197/100
3,990,565 A	11/1976	Felton et al.	197/98
4,081,068 A	3/1978	Zapp	197/98
4,244,659 A	1/1981	Malt	400/486

4,378,553 A	3/1983	McCall	340/365 R
4,440,515 A	4/1984	Nassimbene	400/479
4,467,321 A	8/1984	Volnak	340/365 L
4,493,992 A	1/1985	Geller	250/221
4,509,873 A	4/1985	Ryan	400/489

(Continued)

FOREIGN PATENT DOCUMENTS

DE 1279693 9/1963

(Continued)

OTHER PUBLICATIONS

U.S. Appl. No. 11/342,286, filed Jan. 27, 2006, Hargreaves et al.

(Continued)

Primary Examiner—Freda S Nunn

(74) *Attorney, Agent, or Firm*—Seed IP Law Group PLLC

(57) **CLAIM**

The ornamental design for a keyboard, as shown and described.

DESCRIPTION

FIG. 1 is a front perspective view of a keyboard showing our new design.

FIG. 2 is a top plan view thereof.

FIG. 3 is a bottom plan view thereof.

FIG. 4 is a front elevation view thereof.

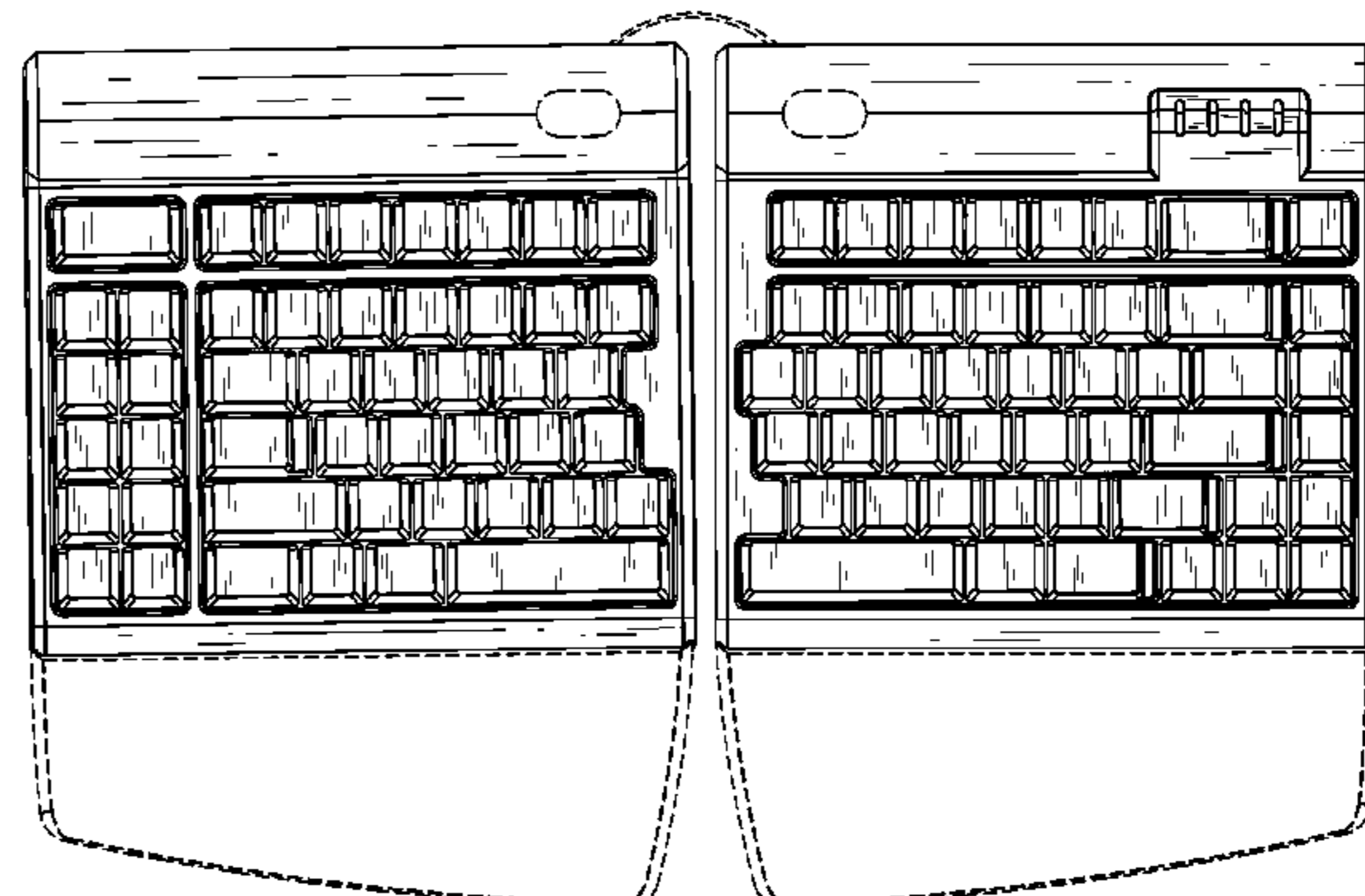
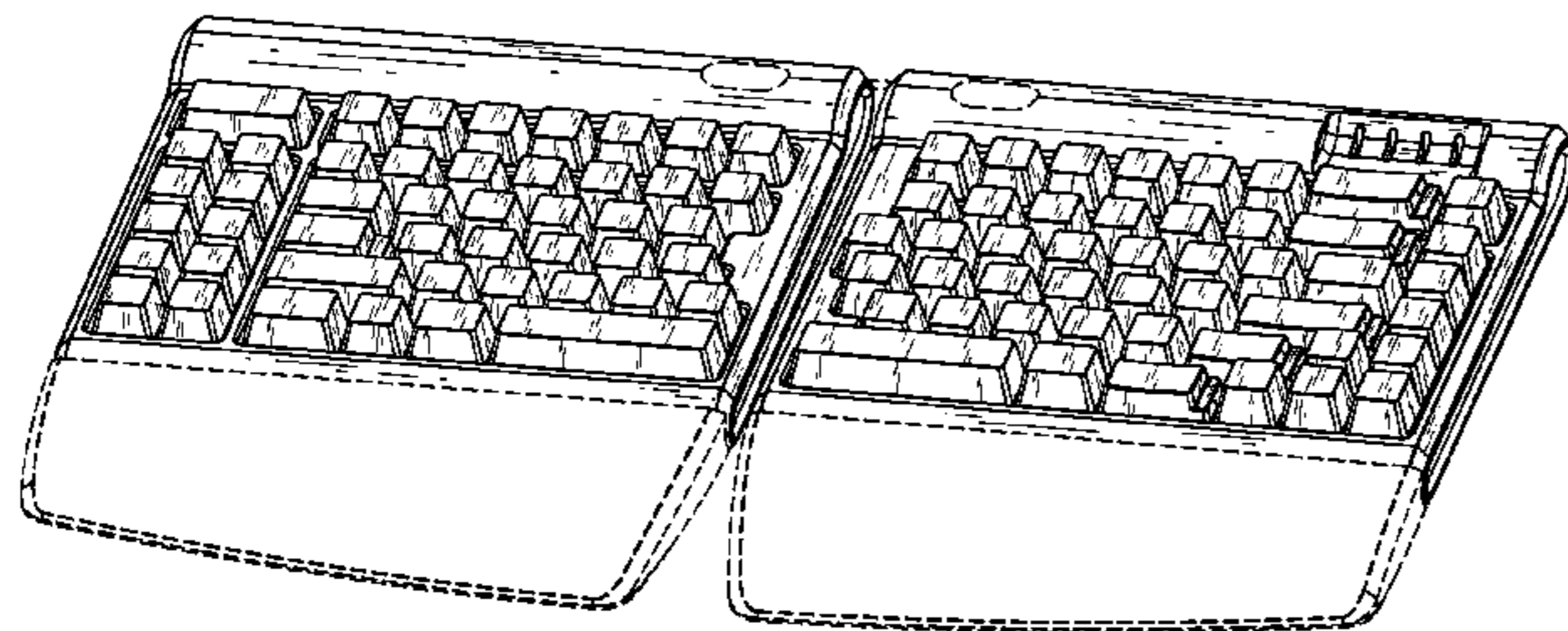
FIG. 5 is a rear elevation view thereof.

FIG. 6 is a left side elevation view thereof; and,

FIG. 7 is a right side elevation view thereof.

The elements illustrated in broken lines in the drawing figures are considered environmental only and do not form a part of the claimed design.

1 Claim, 5 Drawing Sheets



U.S. PATENT DOCUMENTS

4,522,518 A 6/1985 Schmidt 400/486
 4,575,591 A 3/1986 Lugaresi 200/6 A
 4,579,470 A 4/1986 Casey 400/489
 4,597,681 A 7/1986 Hodges 400/488
 4,613,247 A 9/1986 McGunnigle 400/486
 4,615,629 A 10/1986 Power 400/486
 D287,854 S 1/1987 Crews D14/100
 4,655,621 A 4/1987 Holden 400/100
 4,661,005 A 4/1987 Lahr 400/489
 4,679,030 A 7/1987 Volnak 340/365 A
 4,680,572 A 7/1987 Meguire et al. 340/365 R
 4,686,408 A 8/1987 Ishiyama 310/334
 4,715,736 A 12/1987 McGunnigle 400/484
 4,734,963 A 4/1988 Ishiyama 29/25.35
 4,735,520 A 4/1988 Suzuki et al. 400/488
 4,783,645 A 11/1988 Goldwasser et al. 340/365 R
 4,791,526 A 12/1988 Breu et al. 361/398
 4,799,049 A 1/1989 Avila 340/709
 4,824,268 A 4/1989 Diernisse 400/486
 4,833,446 A 5/1989 Eilam et al. 341/22
 4,836,700 A 6/1989 Jensen 400/489
 4,897,649 A 1/1990 Stucki 341/22
 4,913,573 A 4/1990 Retter 400/489
 4,917,516 A 4/1990 Retter 400/489
 4,920,342 A 4/1990 Gratke 341/22
 4,949,080 A 8/1990 Mikan 340/711
 4,974,183 A 11/1990 Miller 364/709.12
 5,017,030 A 5/1991 Crews 400/485
 5,021,771 A 6/1991 Lachman 340/709
 5,044,053 A 9/1991 Kopel et al. 29/25.35
 5,059,048 A 10/1991 Sirkin 400/486
 5,067,834 A 11/1991 Szmanda et al. 400/489
 5,073,050 A 12/1991 Andrews 400/82
 5,091,771 A 2/1992 Bolan et al. 357/74
 5,115,705 A 5/1992 Monte et al. 84/617
 5,122,786 A 6/1992 Rader 340/711
 5,126,723 A 6/1992 Long et al. 340/710
 5,137,384 A 8/1992 Spencer et al. 400/489
 5,148,152 A 9/1992 Stueckle et al. 340/706
 5,156,475 A 10/1992 Zilberman 400/472
 5,160,919 A 11/1992 Mohler et al. 340/711
 5,164,712 A 11/1992 Niitsuma 340/706
 5,228,791 A 7/1993 Fort 400/489
 D340,445 S 10/1993 Marquardt et al. D14/115
 5,252,952 A 10/1993 Frank et al. 345/157
 D341,134 S 11/1993 Marquardt et al. D14/115
 5,260,512 A 11/1993 Chomette et al. 84/644
 5,269,004 A 12/1993 Comerford et al. 395/275
 5,270,690 A 12/1993 Oberg 345/163
 D345,152 S 3/1994 Mermod, Jr. D14/115
 D346,376 S 4/1994 Marquardt et al. D14/115
 5,322,967 A 6/1994 Matsuda 84/653
 D348,453 S 7/1994 Riley et al. D14/115
 D348,877 S 7/1994 Lichtenberg D14/115
 5,334,997 A 8/1994 Scallon 345/167
 5,351,066 A 9/1994 Rucker et al. 345/168

5,410,333 A * 4/1995 Conway 345/169
 5,424,728 A 6/1995 Goldstein 341/22
 5,454,652 A 10/1995 Huellemeier et al. 400/489
 5,457,452 A 10/1995 Skovronski 341/22
 D370,476 S * 6/1996 Dalesky D14/395
 D370,669 S 6/1996 Hargreaves et al. D14/115
 5,596,480 A 1/1997 Manser et al. 361/680
 5,610,602 A 3/1997 Hargreaves 341/22
 5,646,817 A 7/1997 Manser et al. 361/680
 5,653,543 A 8/1997 Abe 400/489
 5,673,040 A 9/1997 Hargreaves et al. 341/22
 D386,172 S * 11/1997 Kawauchi et al. D14/395
 5,689,253 A 11/1997 Hargreaves et al. 341/22
 5,712,760 A * 1/1998 Coulon et al. 361/680
 5,754,395 A 5/1998 Hsu et al. 361/680
 5,769,551 A 6/1998 Tsai et al. 400/489
 5,841,635 A 11/1998 Sadler et al. 361/749
 D408,804 S * 4/1999 Kurokawa et al. D14/394
 6,005,496 A 12/1999 Hargreaves et al. 341/22
 D420,655 S * 2/2000 Louis et al. D14/396
 6,046,731 A 4/2000 Griffin et al. 345/168
 6,081,207 A 6/2000 Batio 341/20
 6,190,068 B1 2/2001 Chao 400/472
 6,320,519 B1 11/2001 Hsu et al. 341/23
 D470,493 S * 2/2003 Tritschler et al. D14/393
 6,594,142 B2 * 7/2003 Katz 361/680
 6,641,316 B1 11/2003 Goldstein et al. 400/489
 6,670,948 B2 12/2003 Zarek 345/168
 6,883,984 B2 4/2005 McLoone et al. 400/486
 6,999,008 B2 * 2/2006 Wang et al. 341/22
 2001/0033763 A1 10/2001 Goldstein et al. 400/472
 2005/0025549 A1 2/2005 McLoone 400/472
 2005/0025550 A1 2/2005 McLoone 400/472
 2005/0052832 A1 3/2005 Monney et al. 361/680
 2005/0088414 A1 4/2005 Adan et al. 345/163
 2005/0276651 A1 12/2005 McLoone et al. 400/489
 2007/0285395 A1 12/2007 Hargreaves et al. 345/168

FOREIGN PATENT DOCUMENTS

GB 1016993 1/1966
 GB 2000083 1/1979
 GB 2090561 7/1982
 GB 2181096 4/1987
 WO WO89/06600 7/1989
 WO WO92/09996 6/1992

OTHER PUBLICATIONS

Hedges, "Reinventing the Keyboard: Hunt 'n' peck meets hi-tech," *The Times*, Sect. C:1-2, Monday, May 4, 1992.
 Kroemer, "Human Engineering the Keyboard," *Human Factors*, 14(1):51-63, 1972.
 Nakaseko et al., "Studies on Ergonomically Designed Alphanumeric Keyboards," *Human Factors*, 27(2):175-187, 1985.
 Zipp et al., "Keyboard design through physiological strain measurements," *Applied Ergonomics*, 14.2:117-122, 1983.

* cited by examiner

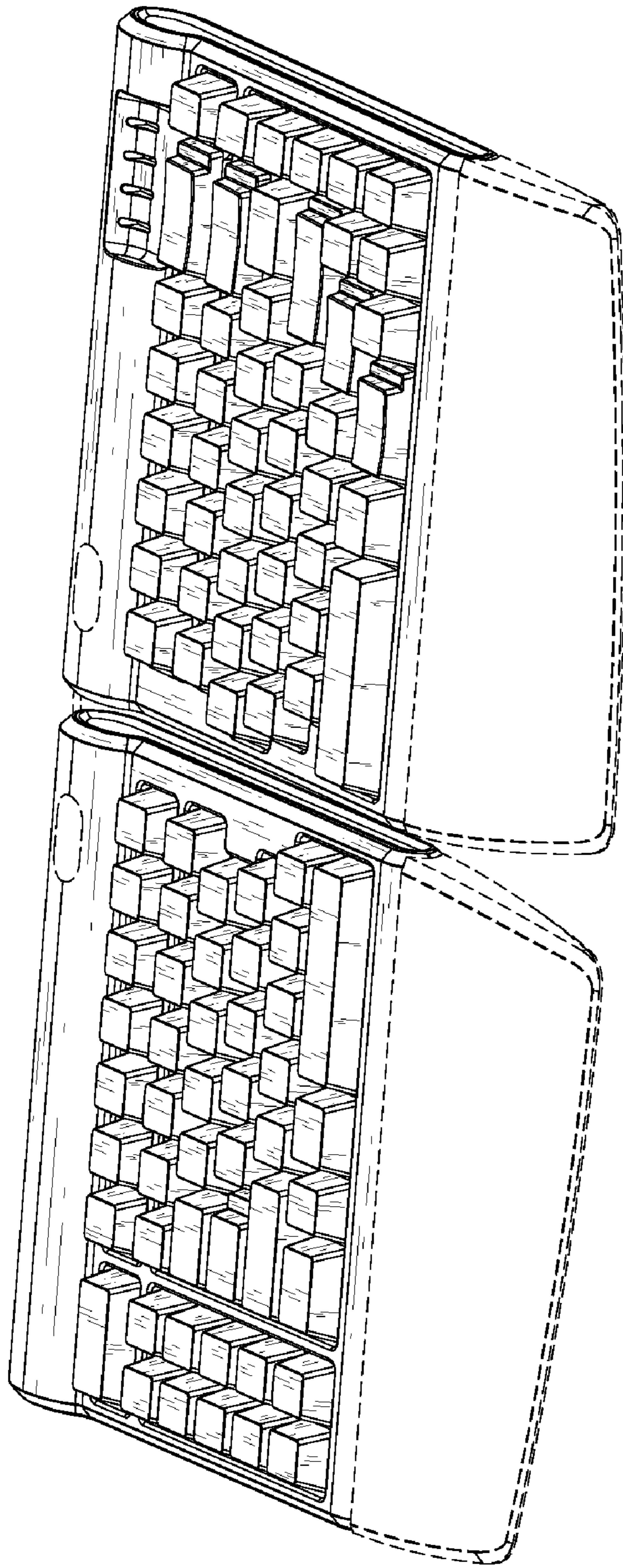


FIG. 1

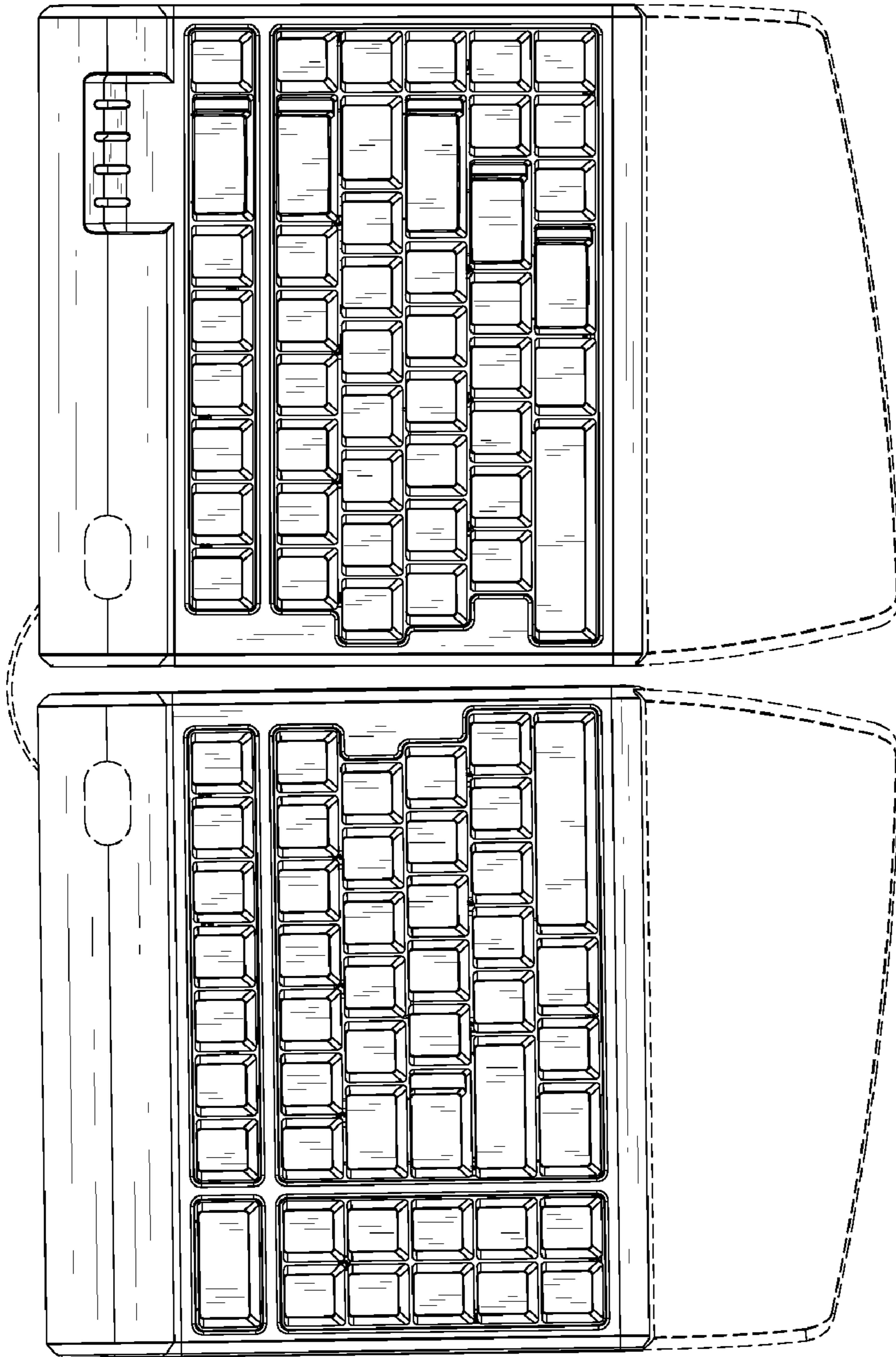


FIG. 2

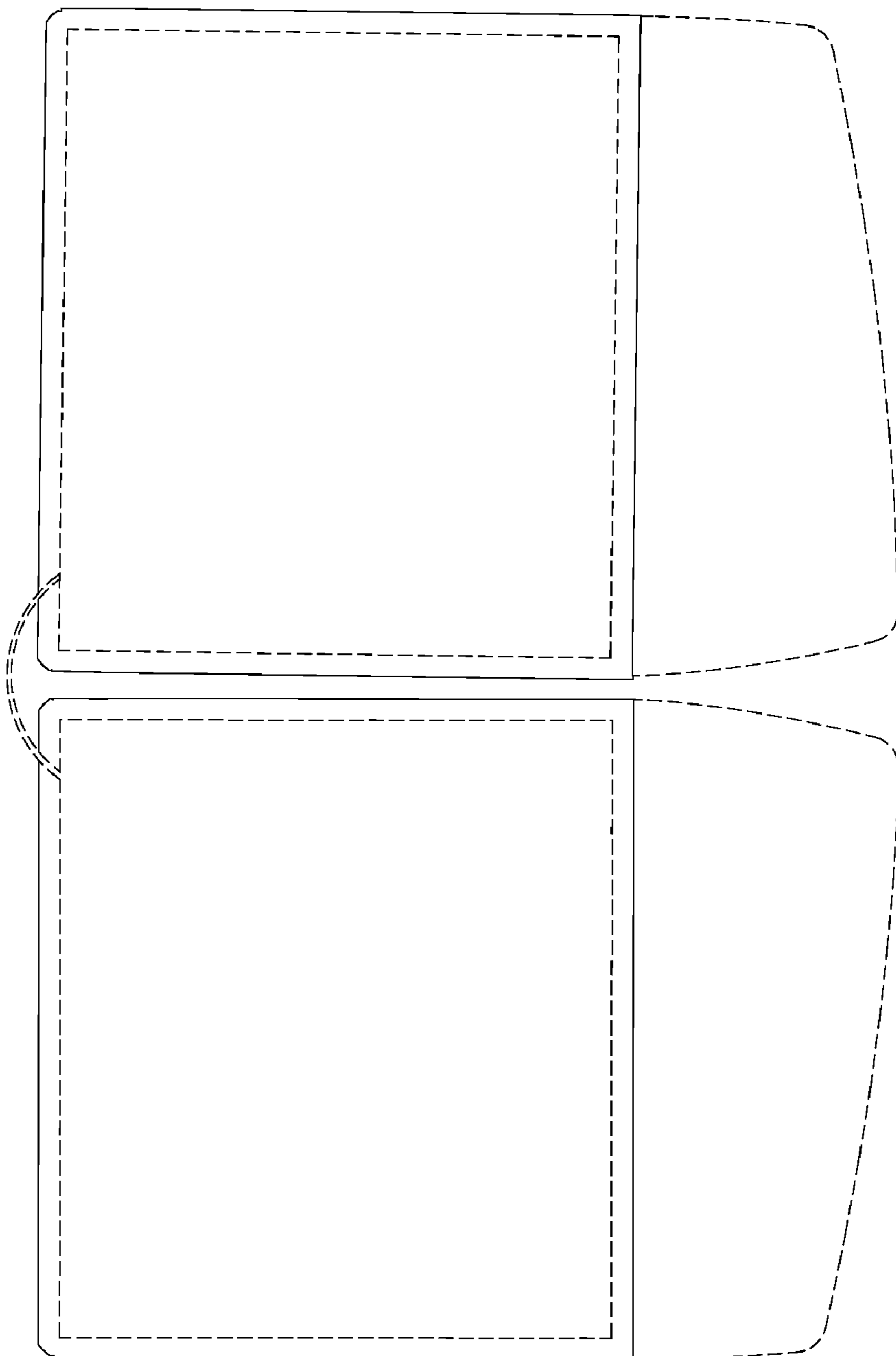


FIG. 3

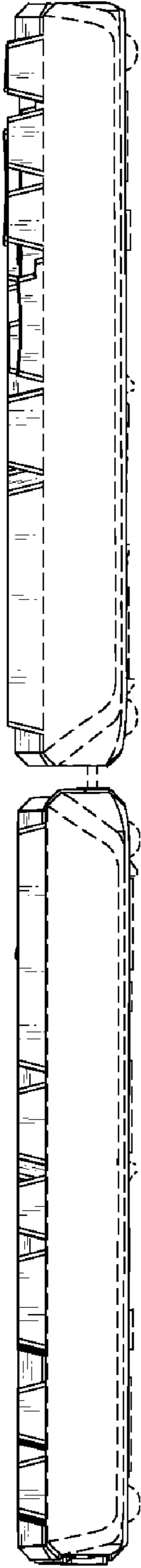


FIG. 4

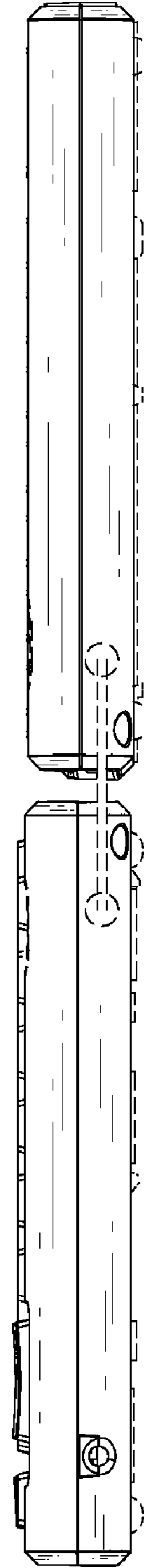


FIG. 5

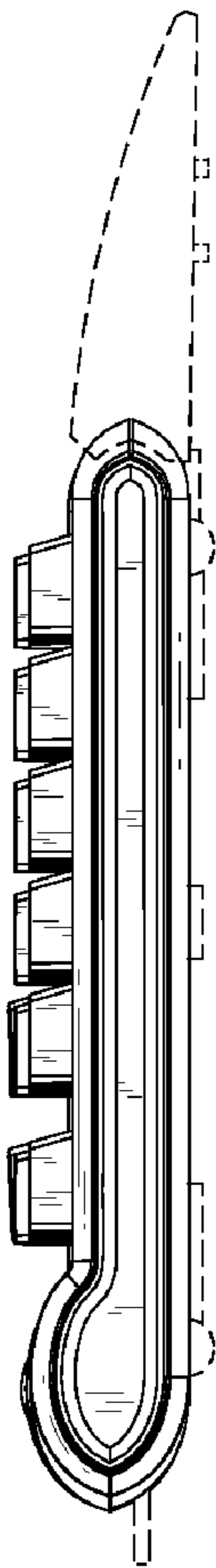


FIG. 6



FIG. 7