



US00D585061S

(12) **United States Design Patent**
Han

(10) **Patent No.:** **US D585,061 S**

(45) **Date of Patent:** **** Jan. 20, 2009**

(54) **DONGLE**

(75) Inventor: **Tai-Sheng (Andrew) Han**, Fullerton,
CA (US)

(73) Assignee: **EVGA Corporation**, Brea, CA (US)

(**) Term: **14 Years**

(21) Appl. No.: **29/299,811**

(22) Filed: **Jan. 4, 2008**

(51) **LOC (9) Cl.** **14-03**

(52) **U.S. Cl.** **D14/358**

(58) **Field of Classification Search** D14/137,
D14/156, 167, 230, 240, 242, 348, 356, 358,
D14/384-385, 432-435; 348/711-713, 795,
348/840, 846; 361/658-686; 365/63; 455/90.2,
455/90.3, 91, 128, 269, 344, 347; 439/139-141,
439/144-147, 518, 638; 710/62, 74
See application file for complete search history.

(56) **References Cited**

U.S. PATENT DOCUMENTS

D453,329 S * 2/2002 Muramatsu D14/230
D454,873 S * 3/2002 Clark et al. D14/358
6,926,544 B2 * 8/2005 Lee 439/147
D520,001 S * 5/2006 Katayama D14/358

D523,854 S * 6/2006 Rinna et al. D14/358
D540,793 S * 4/2007 Kim et al. D14/358
D558,764 S * 1/2008 Kuo et al. D14/358

* cited by examiner

Primary Examiner—Brian N Vinson

(74) *Attorney, Agent, or Firm*—Claude A. S. Hamrick;
IPxLaw Group LLP

(57) **CLAIM**

The ornamental design for a dongle, as shown and described.

DESCRIPTION

FIG. 1 is a perspective top view of a dongle showing my new design;

FIG. 2 is a perspective bottom view thereof;

FIG. 3 is a top view thereof;

FIG. 4 is a bottom view thereof;

FIG. 5 is a right side view thereof;

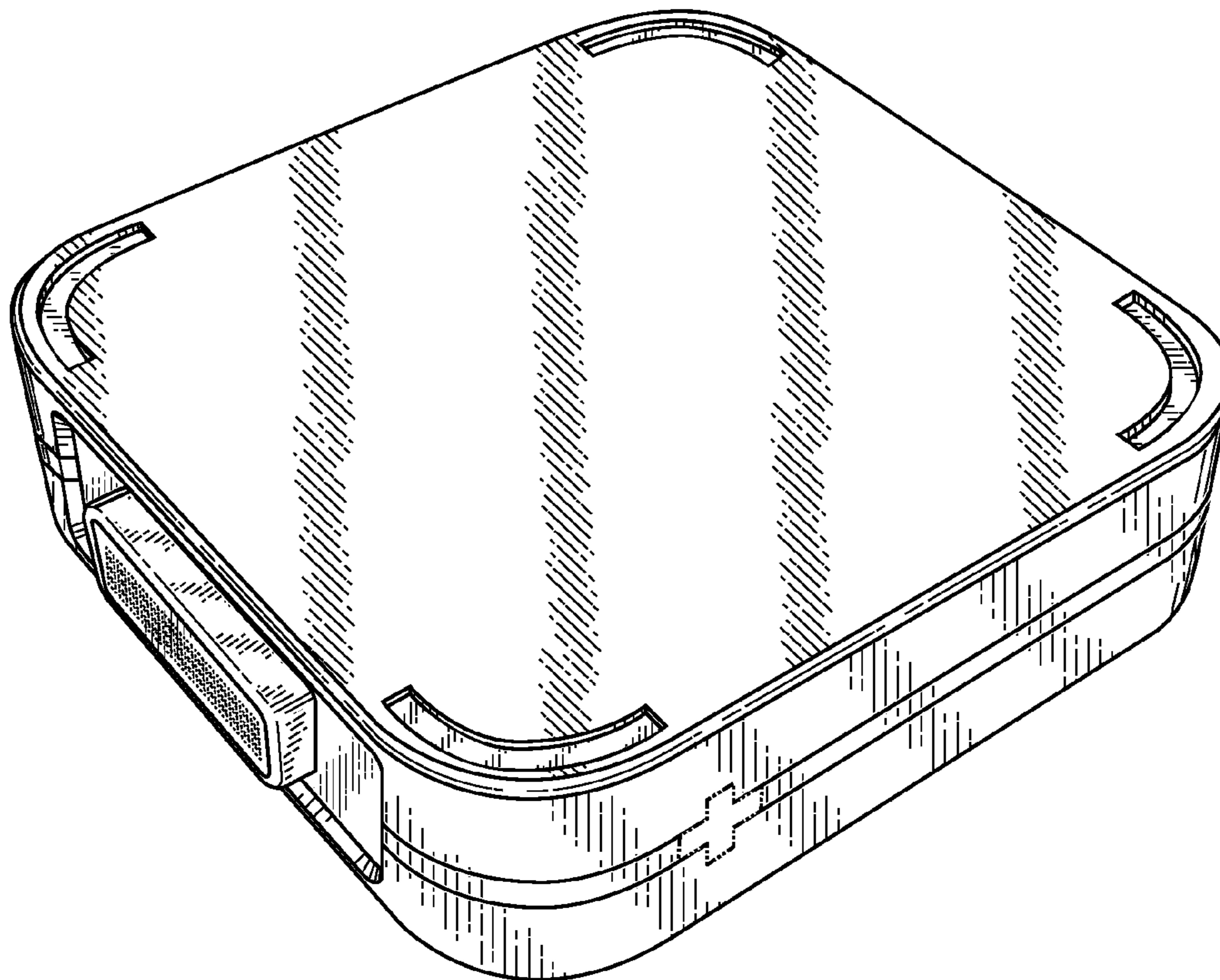
FIG. 6 is a left side view thereof;

FIG. 7 is a front view thereof; and,

FIG. 8 is a back view thereof.

The broken-line disclosure in the views is understood to represent elements which form no part of the claimed design.

1 Claim, 5 Drawing Sheets



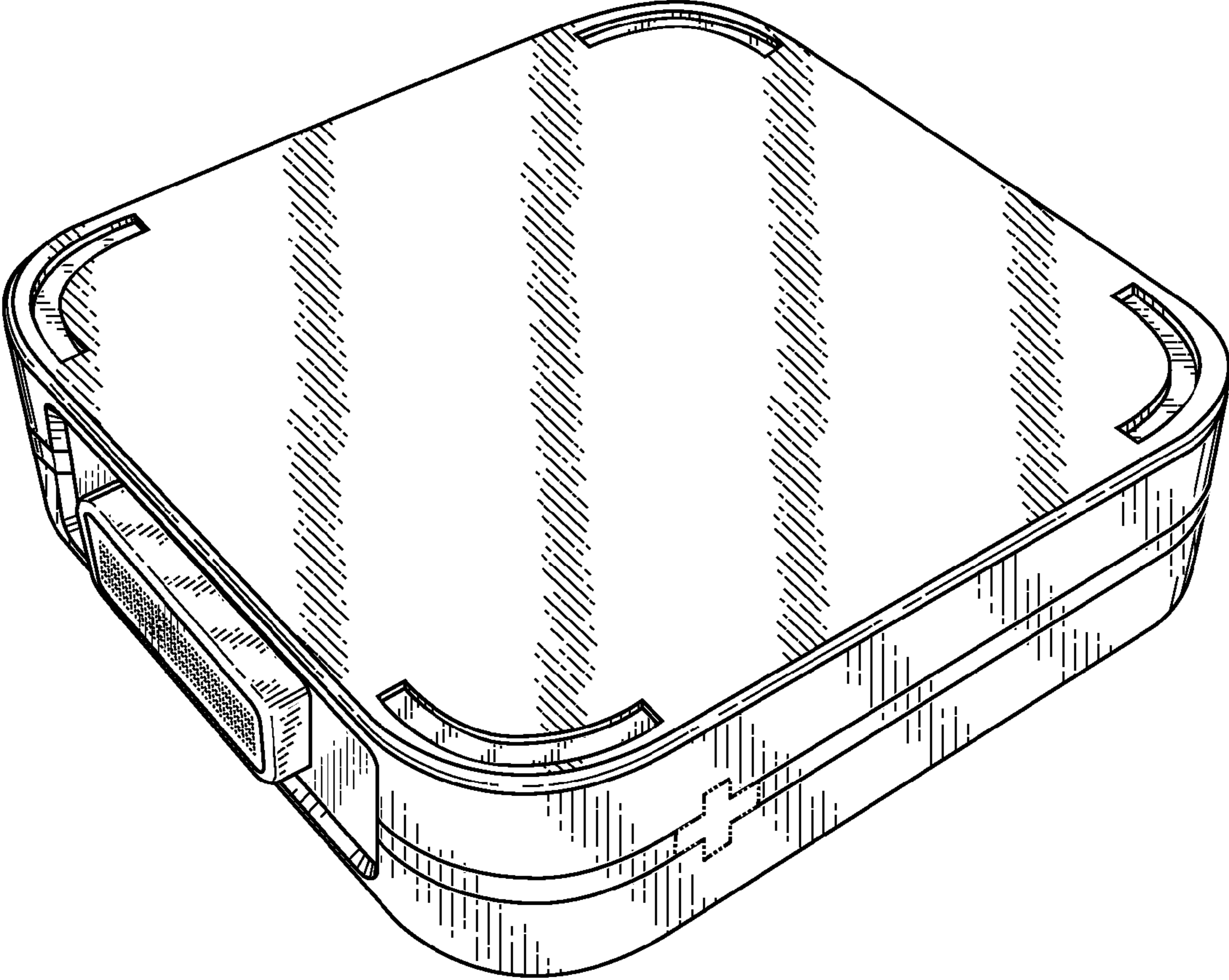


FIG. 1

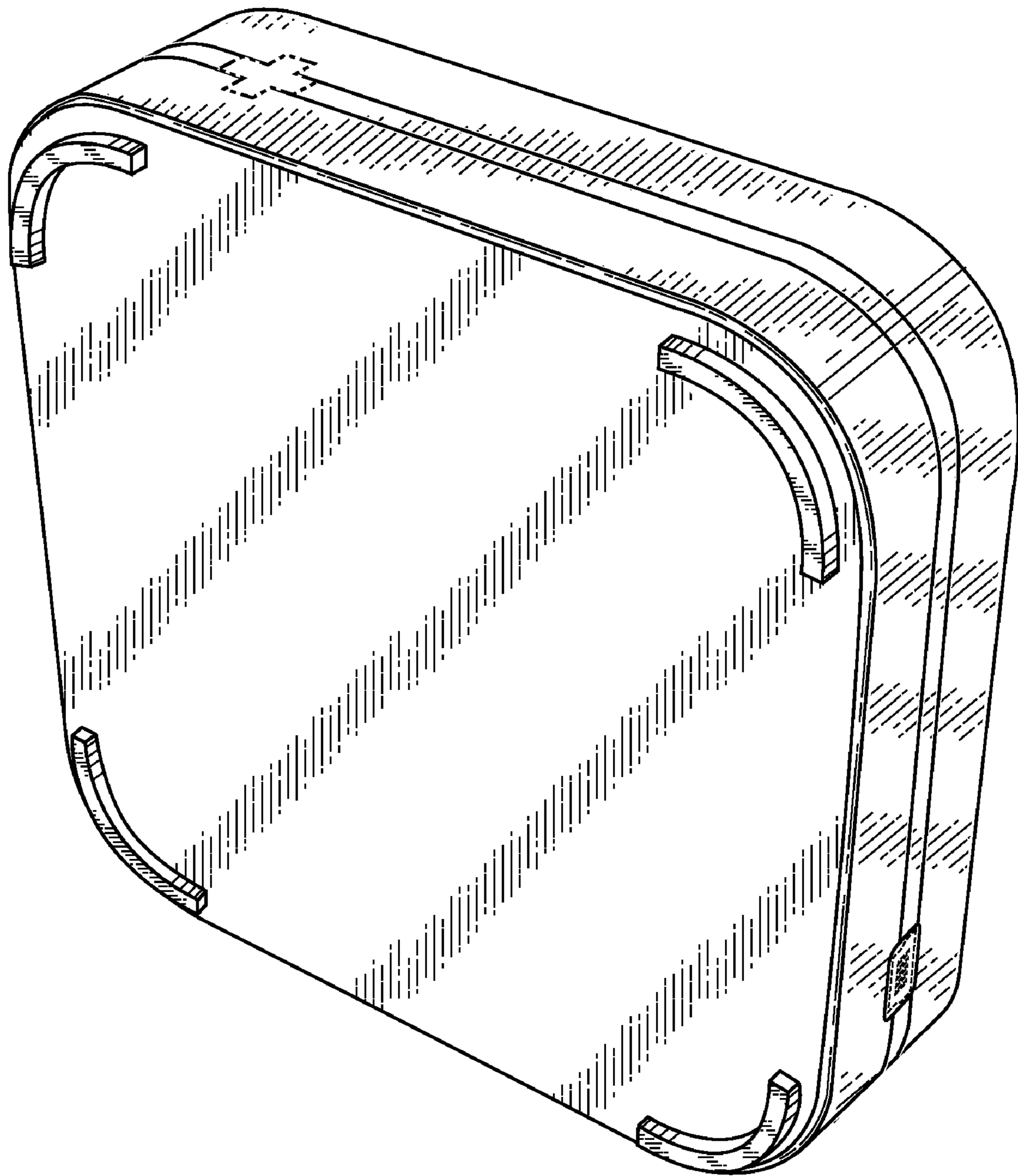


FIG. 2

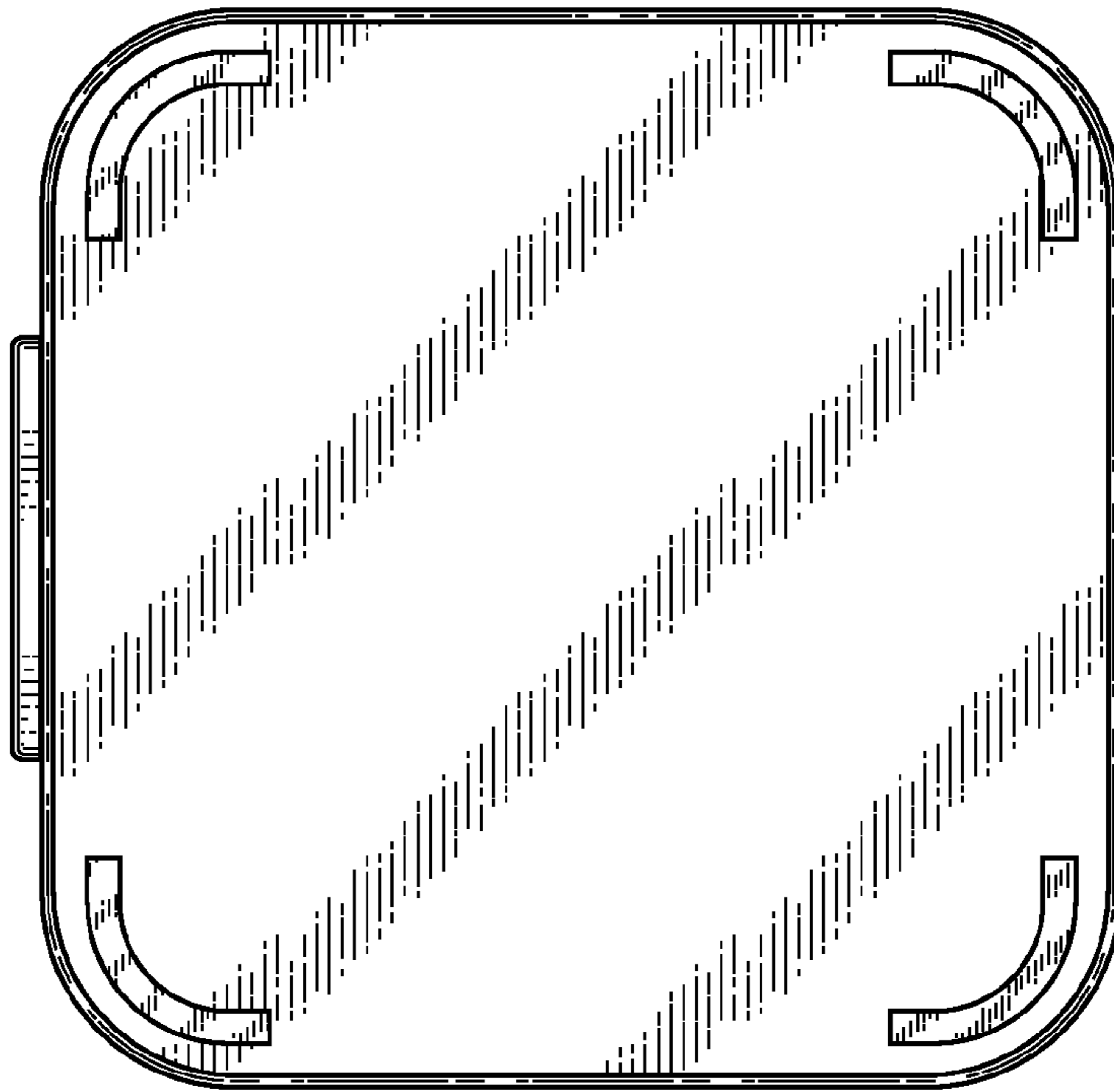


FIG. 3

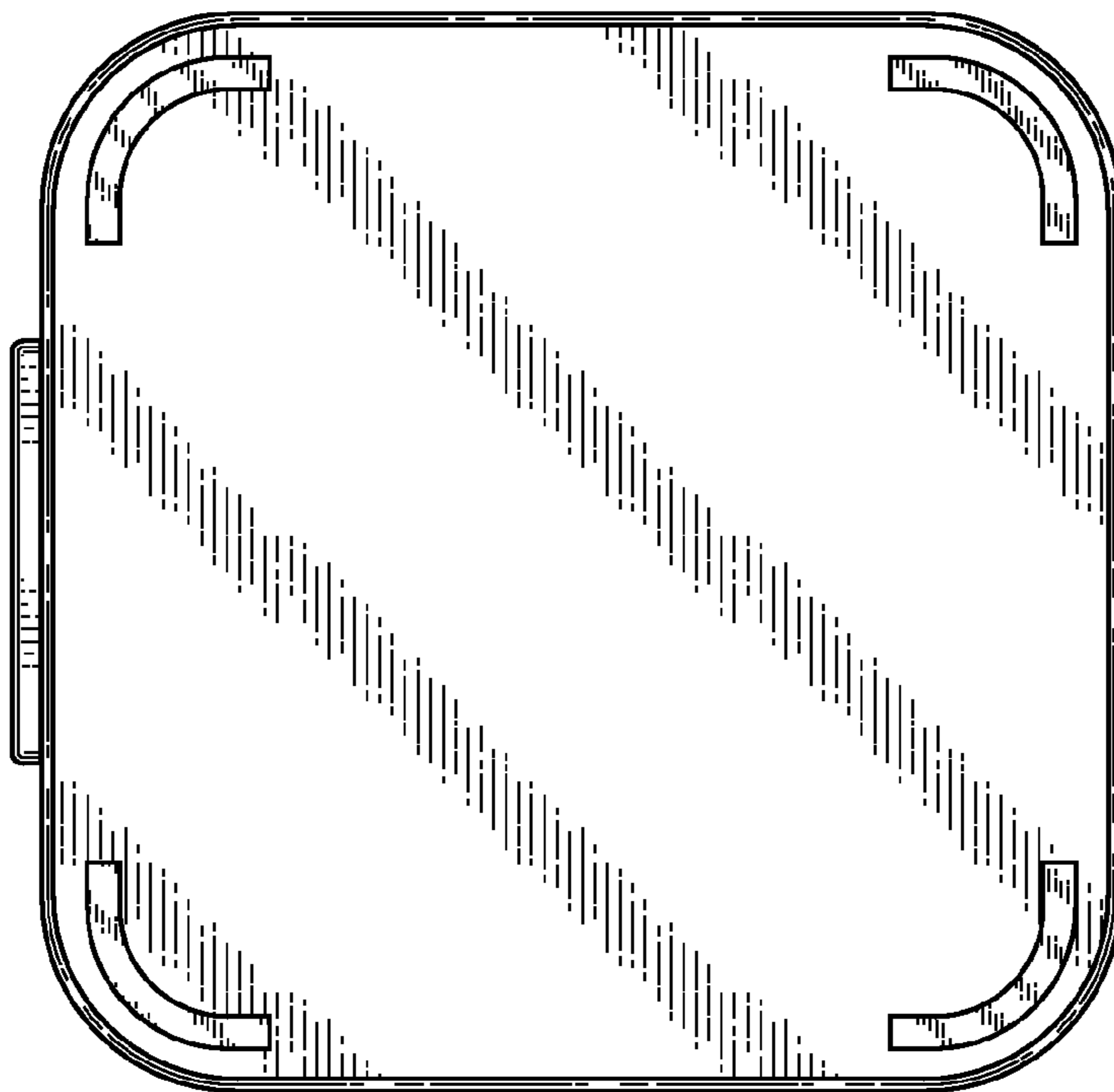


FIG. 4

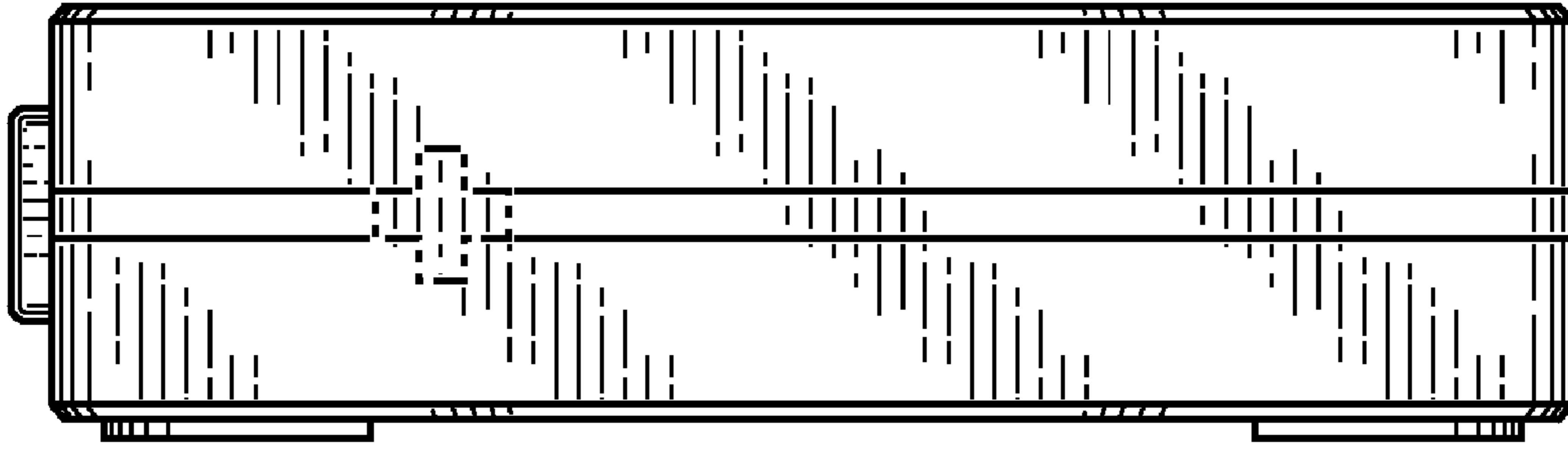


FIG. 5

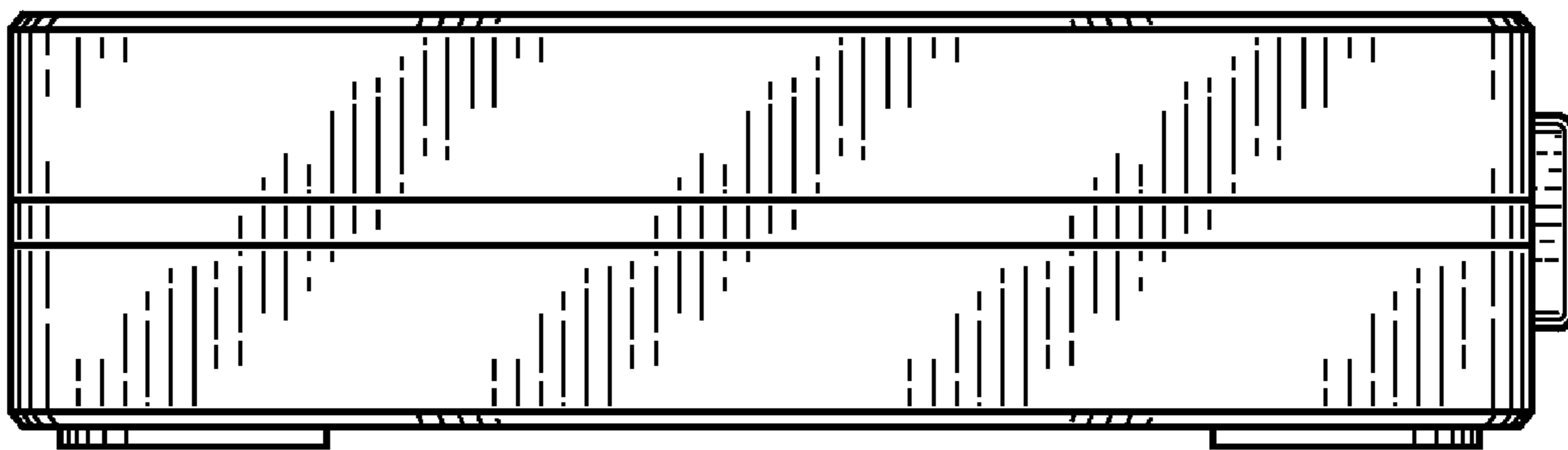


FIG. 6

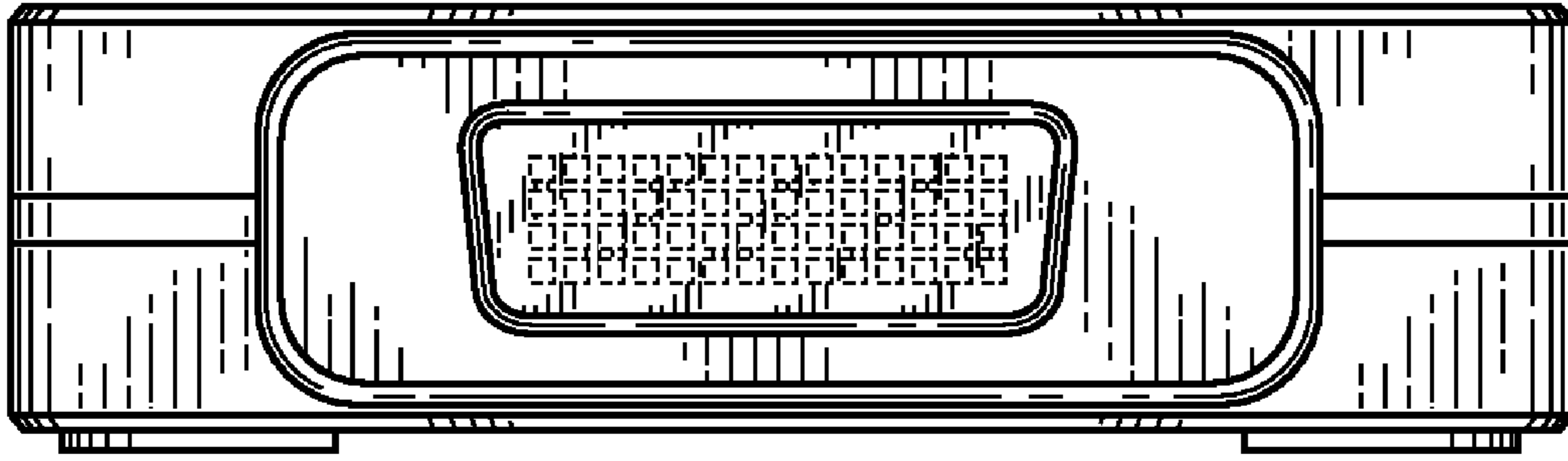


FIG. 7

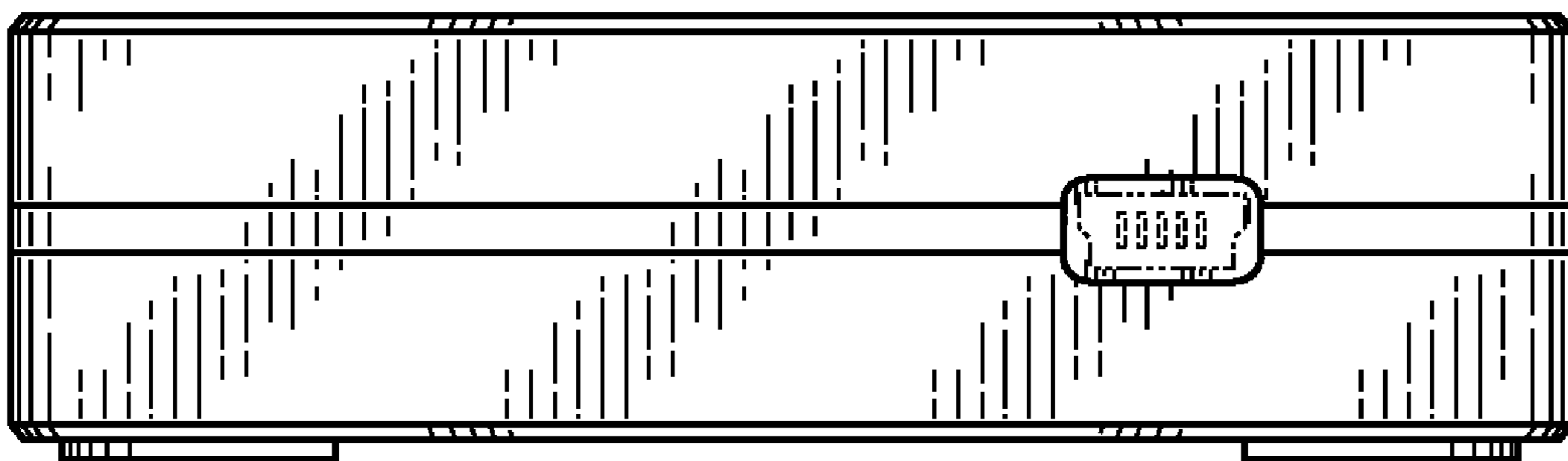


FIG. 8