

US00D585054S

(12) **United States Design Patent**
Hsiao et al.

(10) **Patent No.:** **US D585,054 S**
(45) **Date of Patent:** **** Jan. 20, 2009**

(54) **MULTI-BAND ANTENNA**

(75) Inventors: **Lan Yung Hsiao**, Tu-Cheng (TW); **Pei Fen Wu**, Tu-Cheng (TW); **Yu Yuan Wu**, Tu-Cheng (TW)

(73) Assignee: **Cheng Uei Precision Industry Co., Ltd.**, Taipei Hsien (TW)

(**) Term: **14 Years**

(21) Appl. No.: **29/309,383**

(22) Filed: **Aug. 6, 2008**

(51) **LOC (9) Cl.** **14-03**

(52) **U.S. Cl.** **D14/230**

(58) **Field of Classification Search** D14/230-238,
D14/299, 358, 138; 343/700 R-705, 700 MS,
343/711-713, 741, 840, 841, 908; 455/90.2,
455/90.3, 91, 128, 269, 344, 347, 562.1;
D12/42, 43

See application file for complete search history.

(56) **References Cited**

U.S. PATENT DOCUMENTS

4,038,662 A * 7/1977 Turner 343/752
4,860,019 A * 8/1989 Jiang et al. 343/795
6,100,804 A * 8/2000 Brady et al. 340/572.7

D492,670 S * 7/2004 Hung et al. D14/230
D555,154 S * 11/2007 Lin et al. D14/230
2003/0006940 A1 * 1/2003 Washiro et al. 343/895
2005/0024287 A1 * 2/2005 Jo et al. 343/822
2007/0001925 A1 * 1/2007 Bae et al. 343/895
2008/0088522 A1 * 4/2008 Huang et al. 343/846
2008/0094289 A1 * 4/2008 Tseng et al. 343/700 MS
2008/0106473 A1 * 5/2008 Chung et al. 343/700 MS
2008/0122699 A1 * 5/2008 Yeh et al. 343/700 MS
2008/0198089 A1 * 8/2008 Hsiao et al. 343/850
2008/0204329 A1 * 8/2008 Taki et al. 343/700 MS
2008/0231515 A1 * 9/2008 Mayer et al. 343/700 MS

* cited by examiner

Primary Examiner—Robert M Spear

Assistant Examiner—John Windmuller

(74) *Attorney, Agent, or Firm*—Rosenberg, Klein & Lee

(57) **CLAIM**

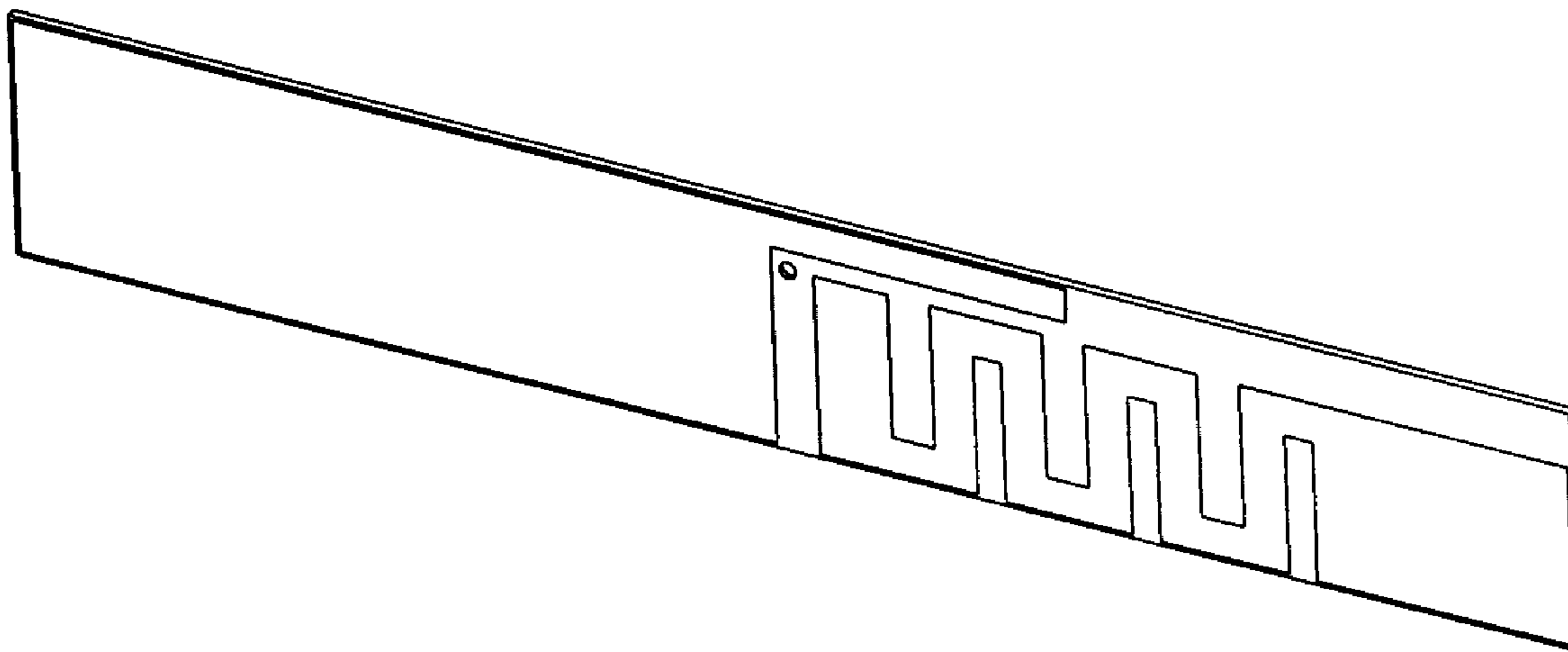
The ornamental design for a multi-band antenna, as shown and described.

DESCRIPTION

FIG. 1 is a perspective view of a multi-band antenna showing our new design; and,

FIG. 2 is a front elevational view thereof.

1 Claim, 2 Drawing Sheets



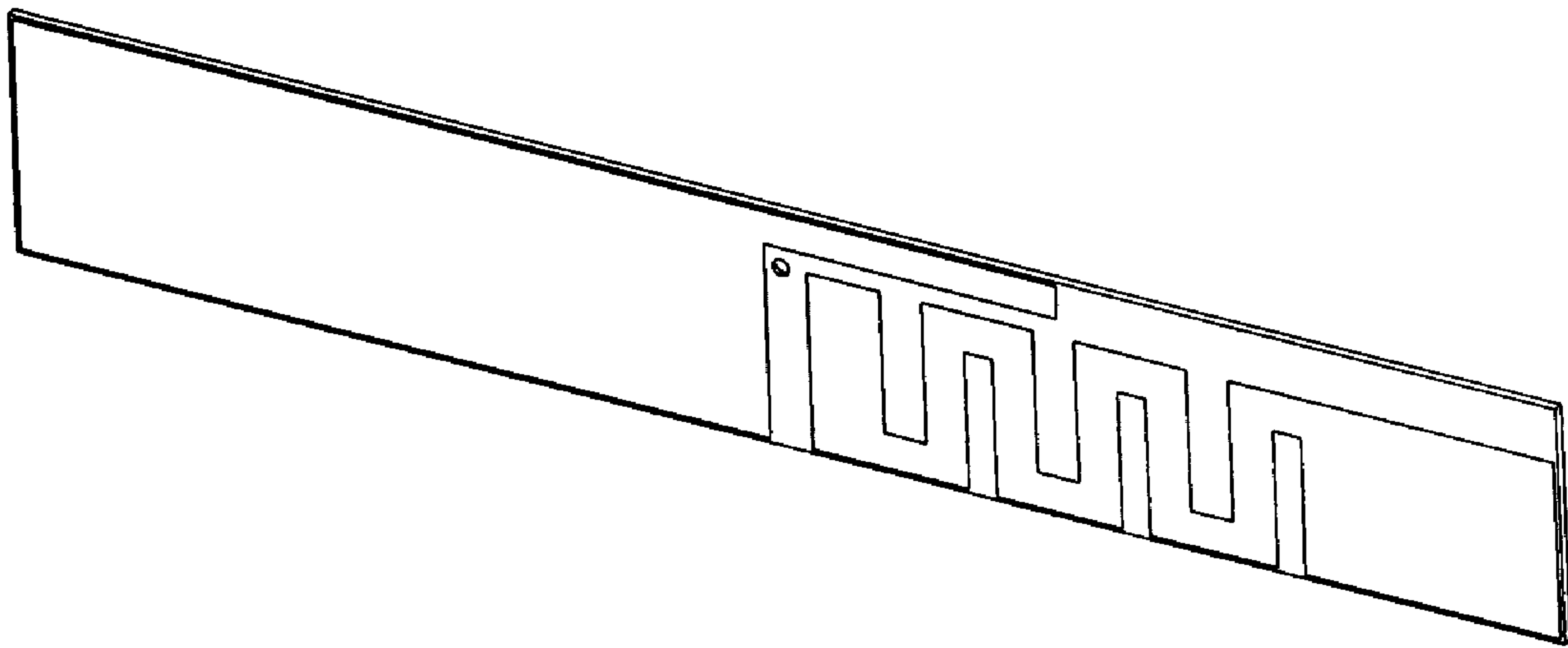


FIG. 1

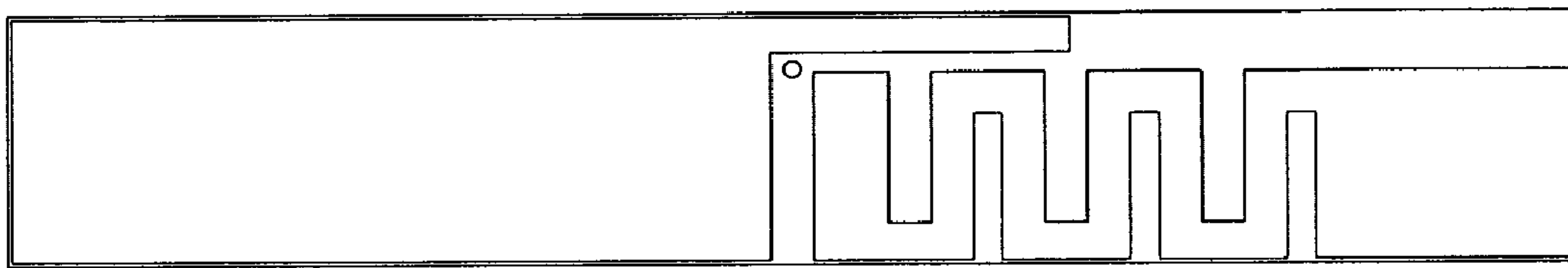


FIG. 2