



US00D585052S

(12) **United States Design Patent**
Mamane et al.

(10) **Patent No.:** **US D585,052 S**
(45) **Date of Patent:** **** Jan. 20, 2009**

(54) **COMBINED STATION AND REMOTE CONTROL**

(75) Inventors: **Dan Mamane**, St-Prex (CH); **Frederic Boutin**, Saint Genis Pouilly (FR); **Patrick Naveau**, Paris (FR)

(73) Assignee: **Barron SA**, Preverenges (CH)

(**) Term: **14 Years**

(21) Appl. No.: **29/288,990**

(22) Filed: **Jun. 29, 2007**

(30) **Foreign Application Priority Data**

Dec. 29, 2006 (CH) 133543

(51) **LOC (9) Cl.** **14-03**

(52) **U.S. Cl.** **D14/218**

(58) **Field of Classification Search** D14/218, D14/455; D13/168; D21/566; D10/104, D10/106; 345/169; 348/14.05, 114, 211.99, 348/734; 340/825.24; 341/22; 455/92, 95, 455/128, 151.1–151.4, 352, 355, FOR. 121; 700/65

See application file for complete search history.

(56) **References Cited**

U.S. PATENT DOCUMENTS

D354,287 S *	1/1995	Tokiyama	D14/253
D451,498 S *	12/2001	Rossel	D14/218
D477,591 S *	7/2003	Hung	D14/218
D488,145 S *	4/2004	Abdelal	D14/144
D531,588 S *	11/2006	Peh	D13/168
D532,005 S *	11/2006	Leith	D14/253
D538,820 S *	3/2007	Andre et al.	D14/496
D546,807 S *	7/2007	Lee	D14/138
D552,086 S *	10/2007	Johnson et al.	D14/217
D561,720 S *	2/2008	Suk et al.	D14/138

* cited by examiner

Primary Examiner—Robert M. Spear
Assistant Examiner—John Windmuller
(74) *Attorney, Agent, or Firm*—Clifford W. Browning; Krieg DeVault LLP

(57) **CLAIM**

The ornamental design for a combined station and remote control, as shown and described.

DESCRIPTION

FIG. 1 is a top view of a remote control showing a portion of our new design removed from the combined station and remote control for clarity of disclosure.

FIG. 2 is a right side view of FIG. 1, the left side view being a mirror image thereof.

FIG. 3 is a bottom view of FIG. 1.

FIG. 4 is a top perspective view of FIG. 1.

FIG. 5 is a top perspective view of a station showing a portion of our new design removed from the combined station and remote control for clarity of disclosure.

FIG. 6 is a bottom view of FIG. 5.

FIG. 7 is a top view of FIG. 5.

FIG. 8 is a rear view of FIG. 5.

FIG. 9 is left side view of FIG. 5, the right side view being a mirror image thereof.

FIG. 10 is a front view of FIG. 5.

FIG. 11 is a top perspective view of a combined station and remote control showing our new design.

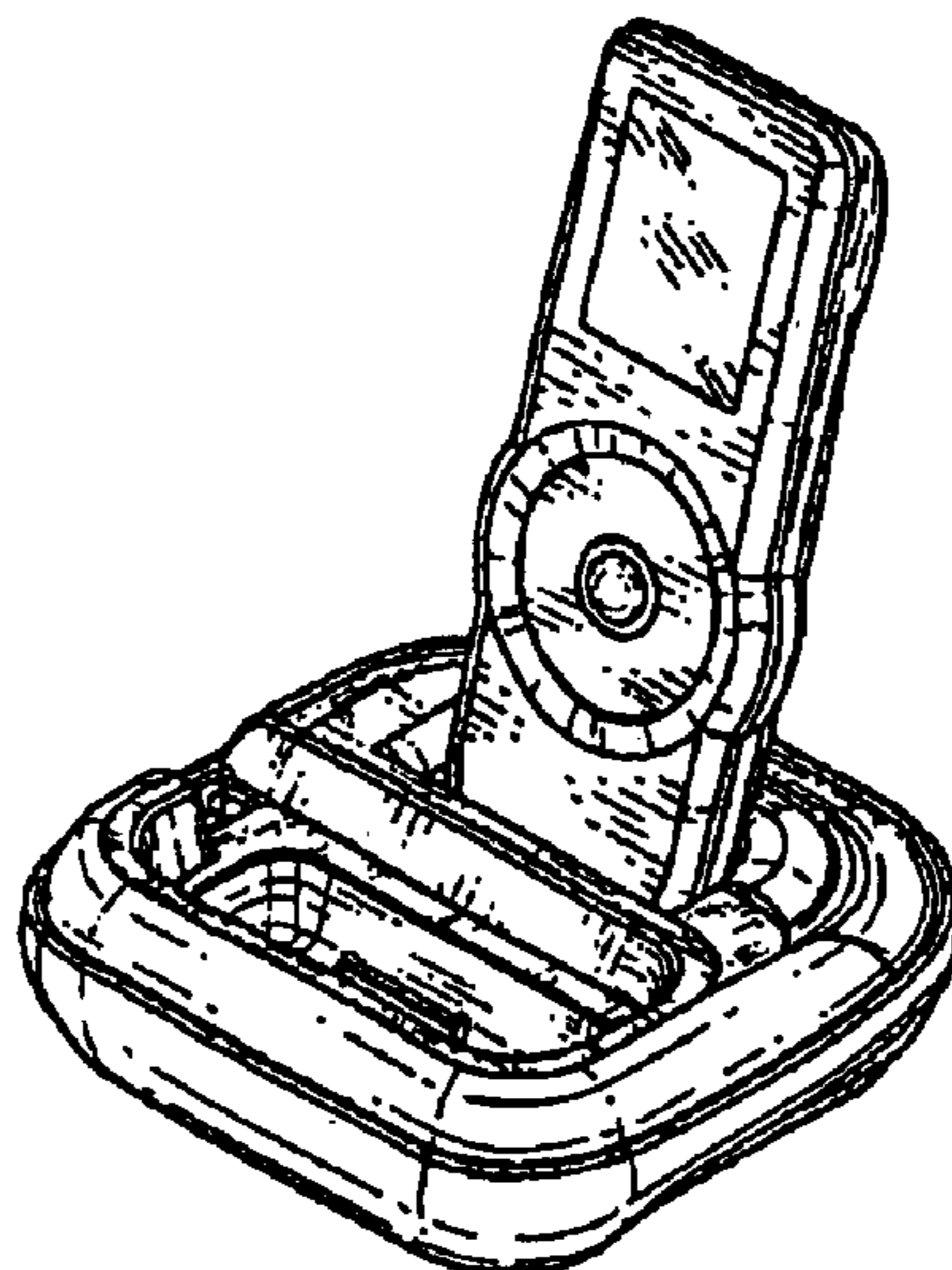
FIG. 12 is a front view of FIG. 11.

FIG. 13 is a left side view of FIG. 11, the right side view being a mirror image thereof.

FIG. 14 is a back view of FIG. 11; and,

FIG. 15 is a top view of FIG. 11.

1 Claim, 3 Drawing Sheets



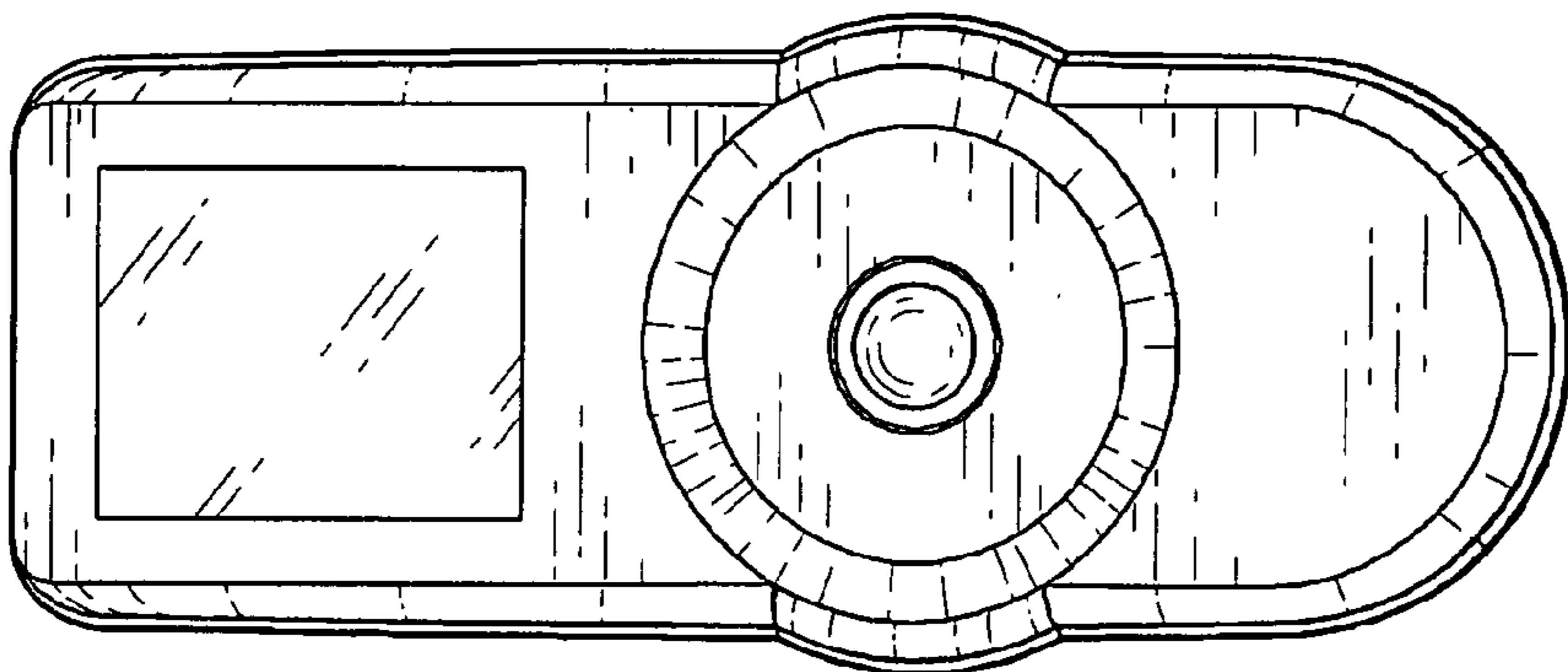


Fig. 1

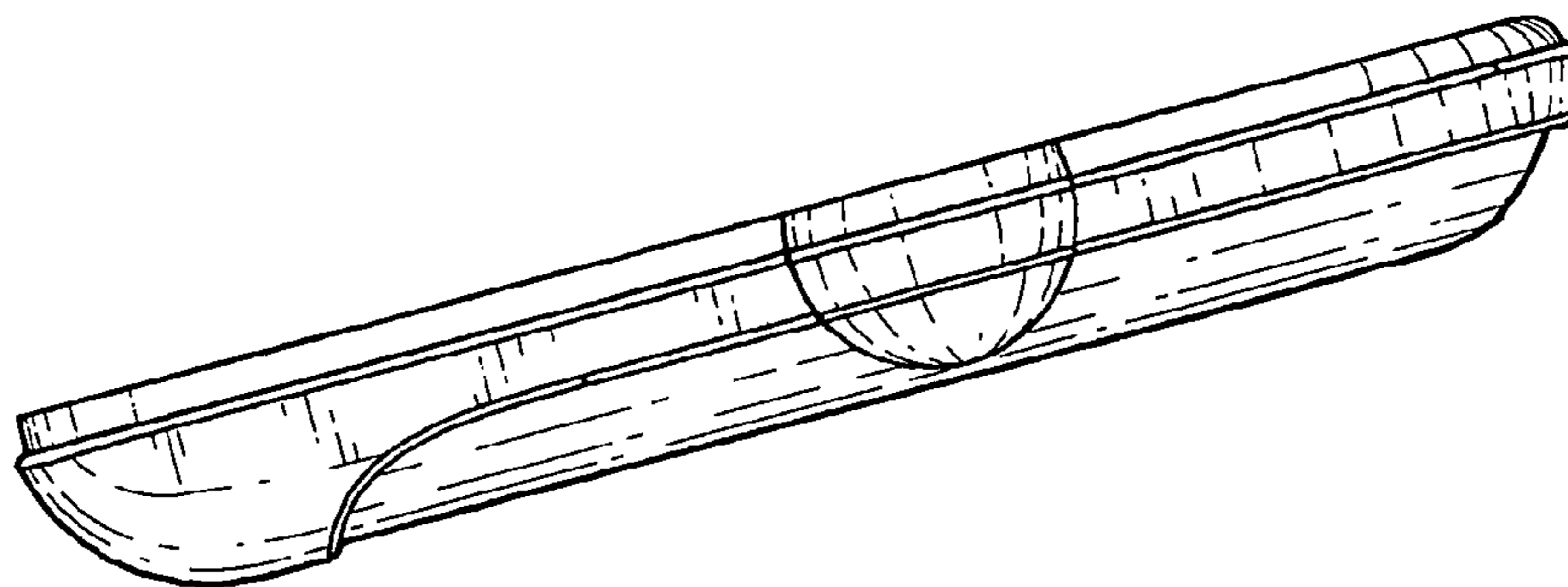


Fig. 2

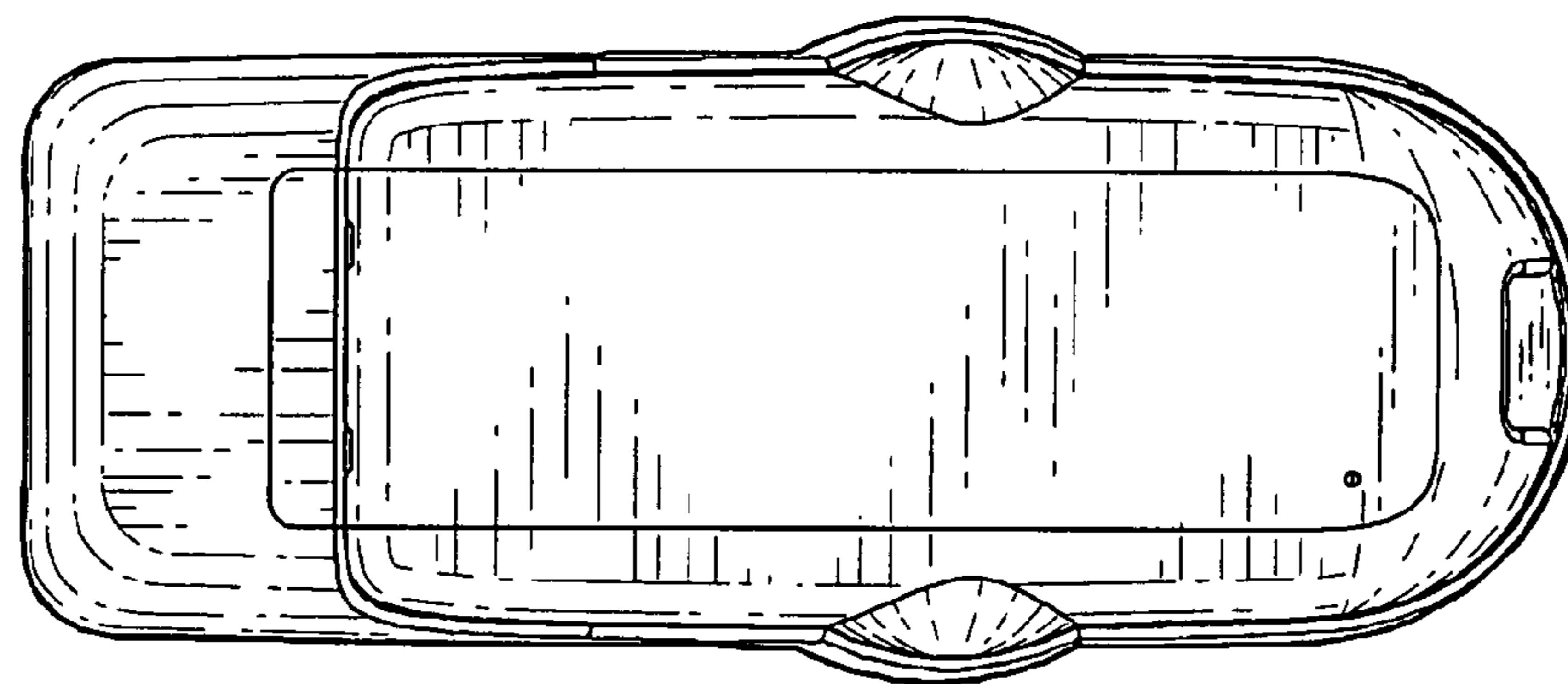


Fig. 3

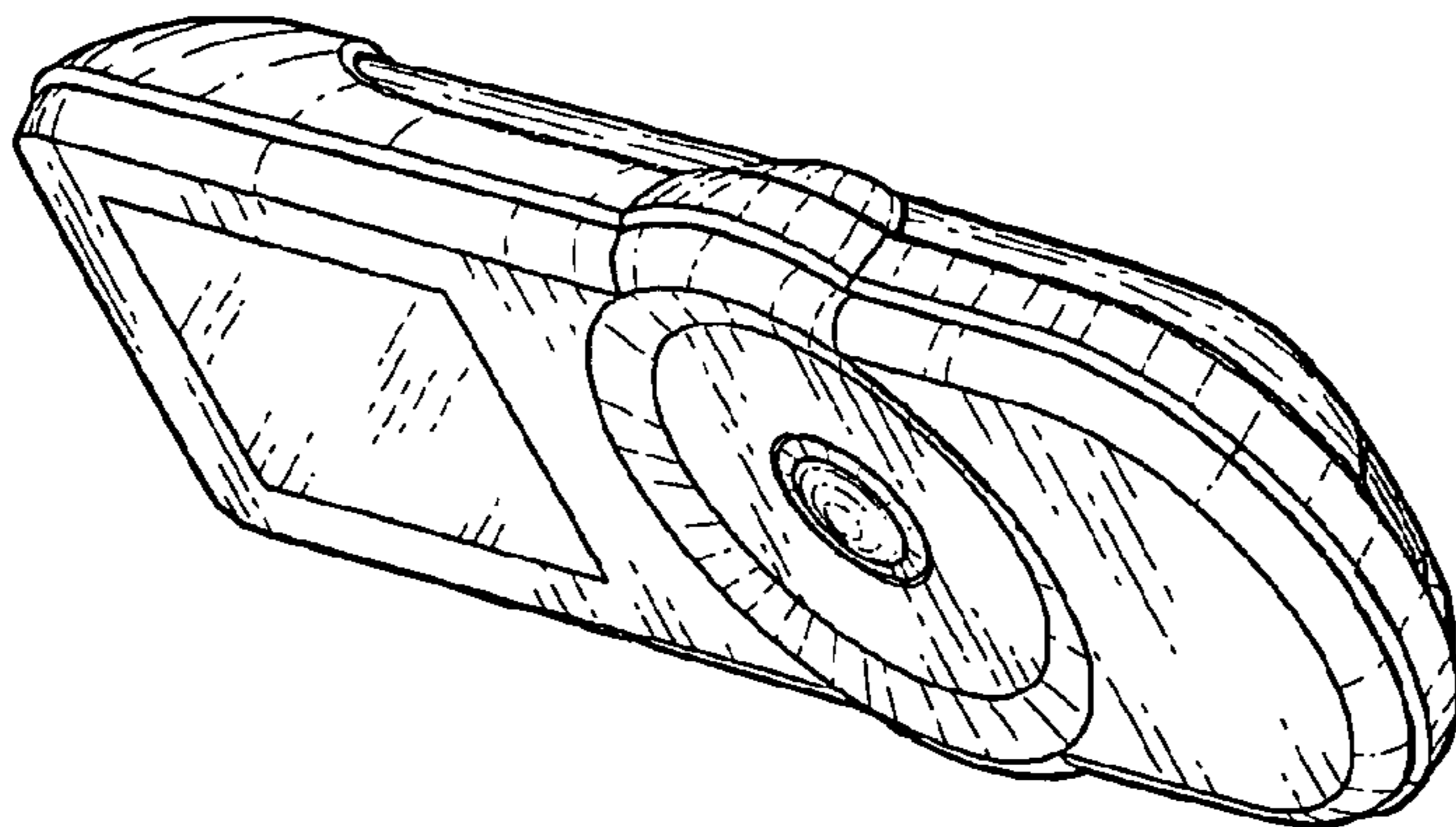


Fig. 4

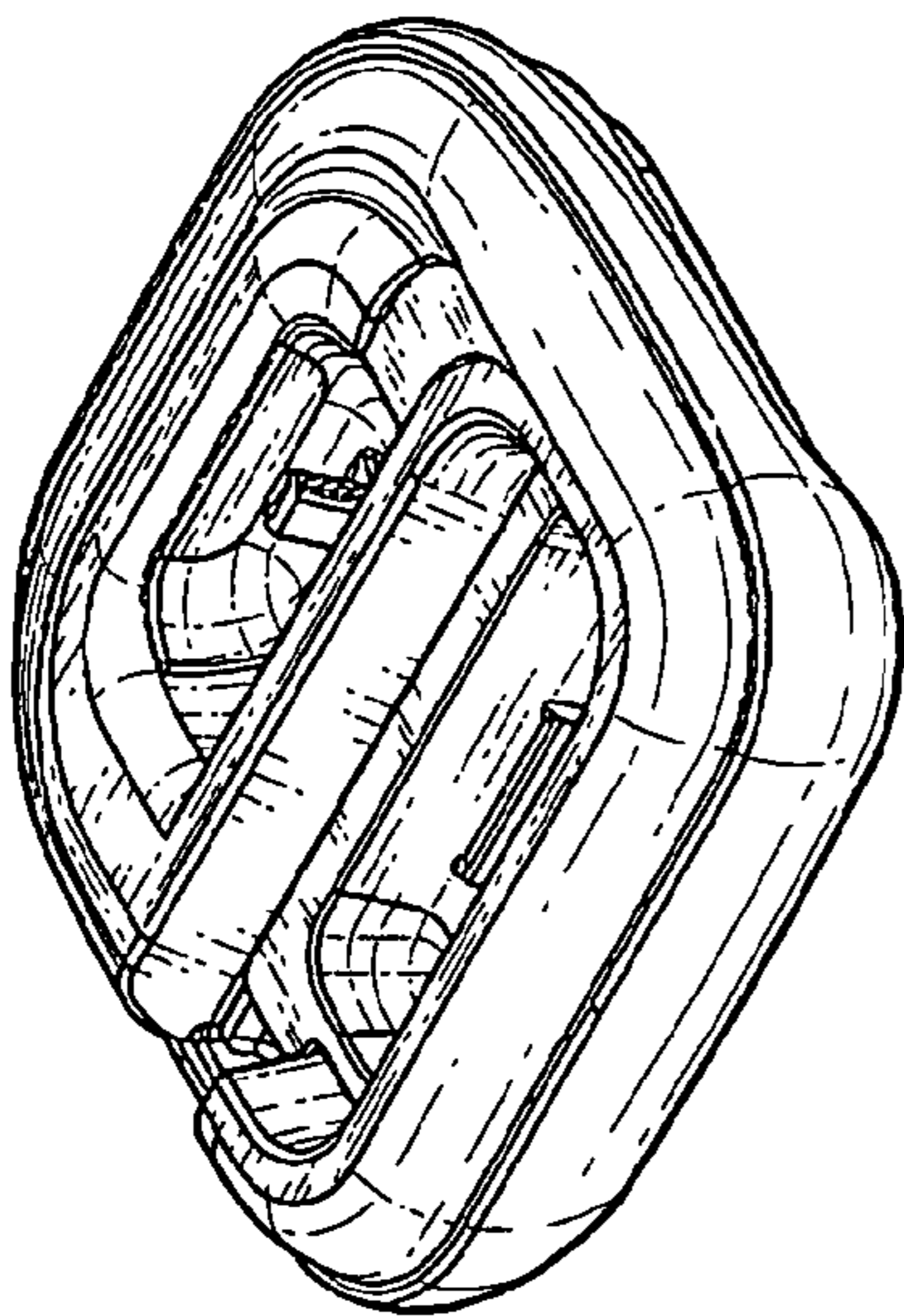


Fig. 5

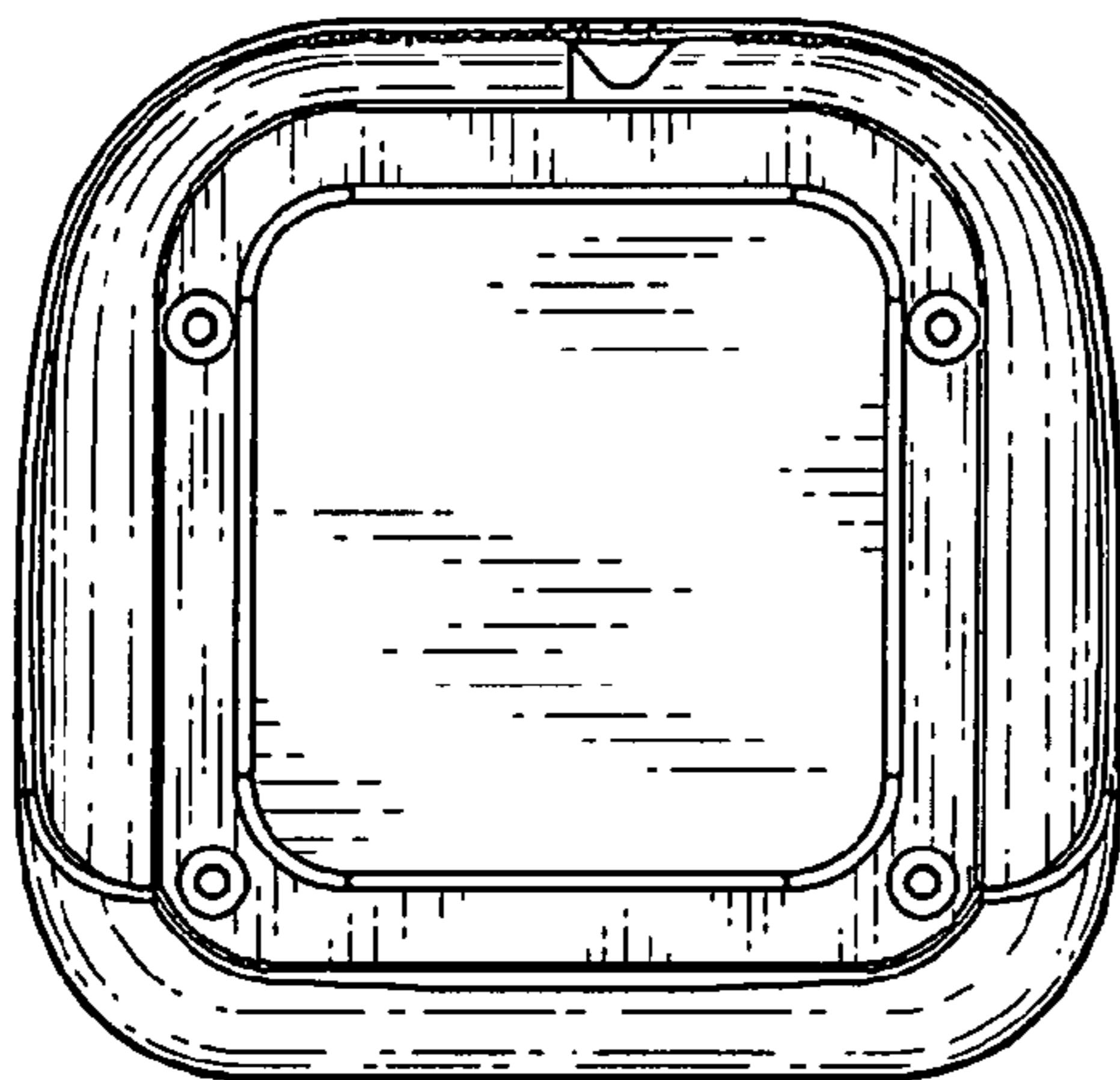


Fig. 6

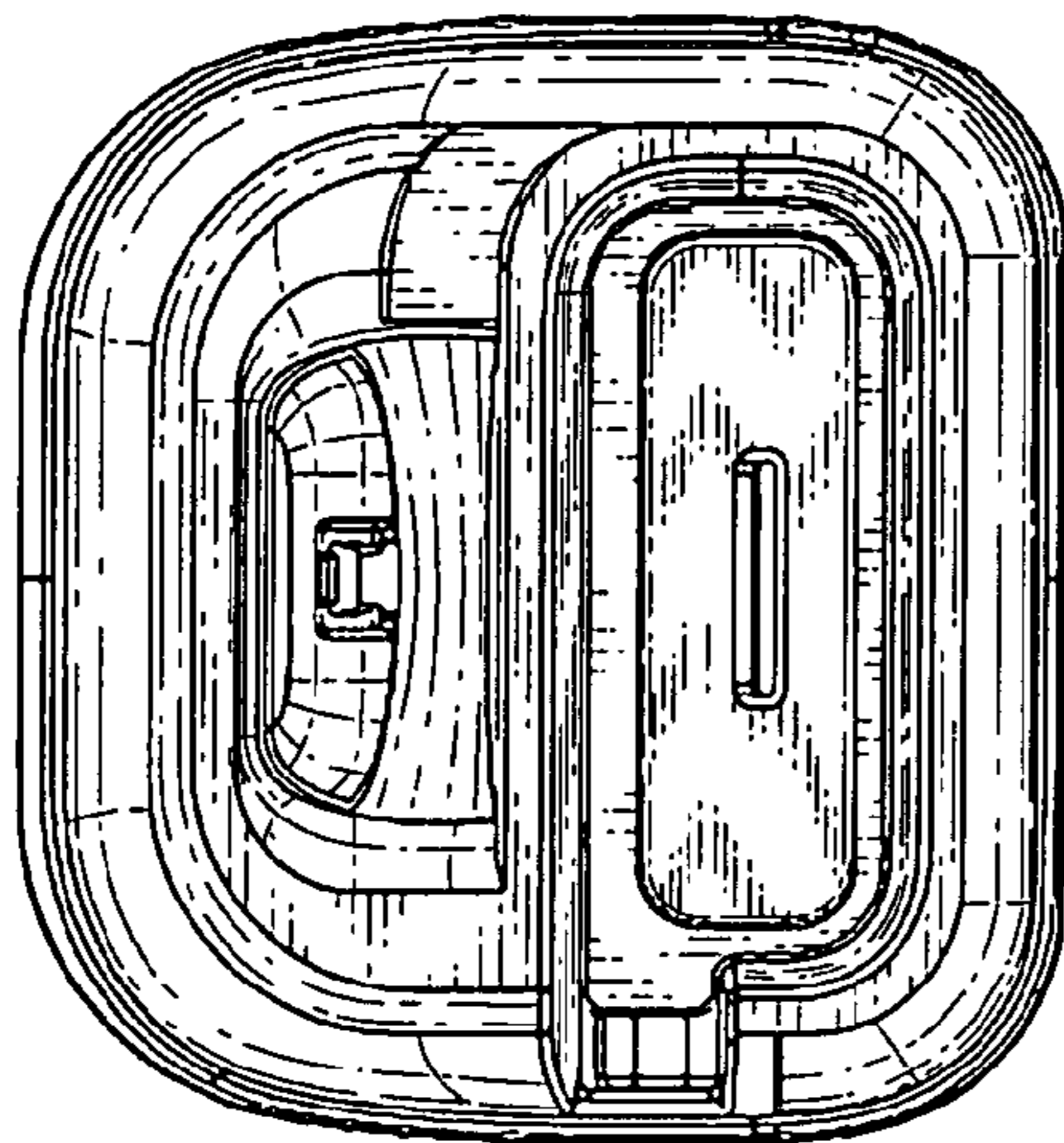


Fig. 7

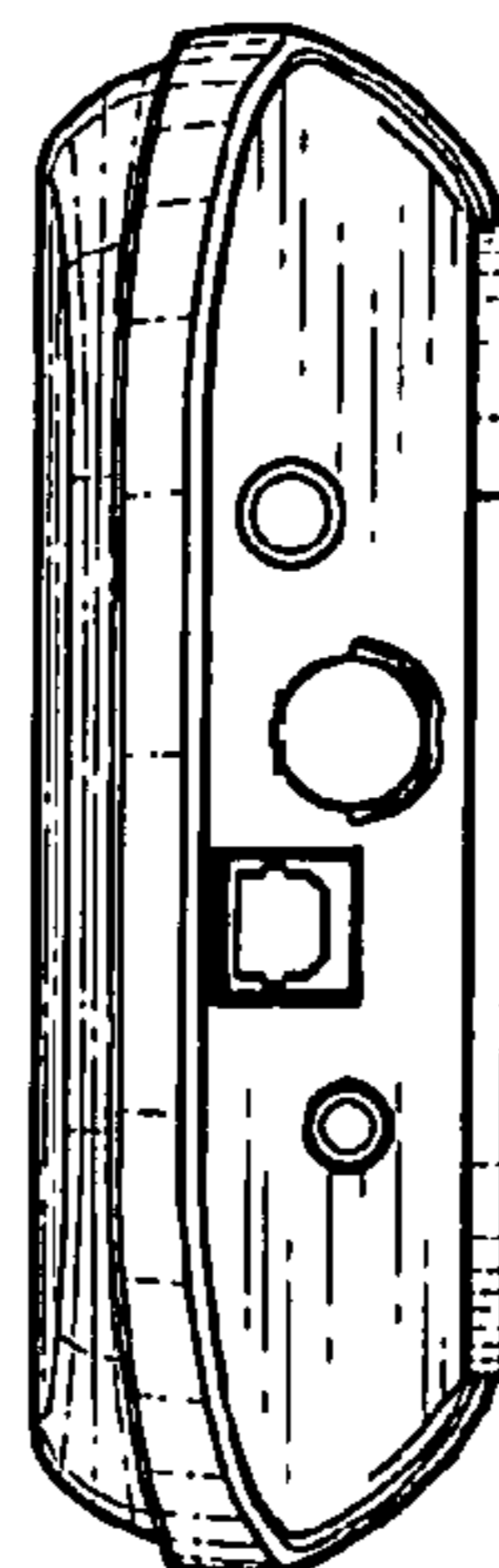


Fig. 8

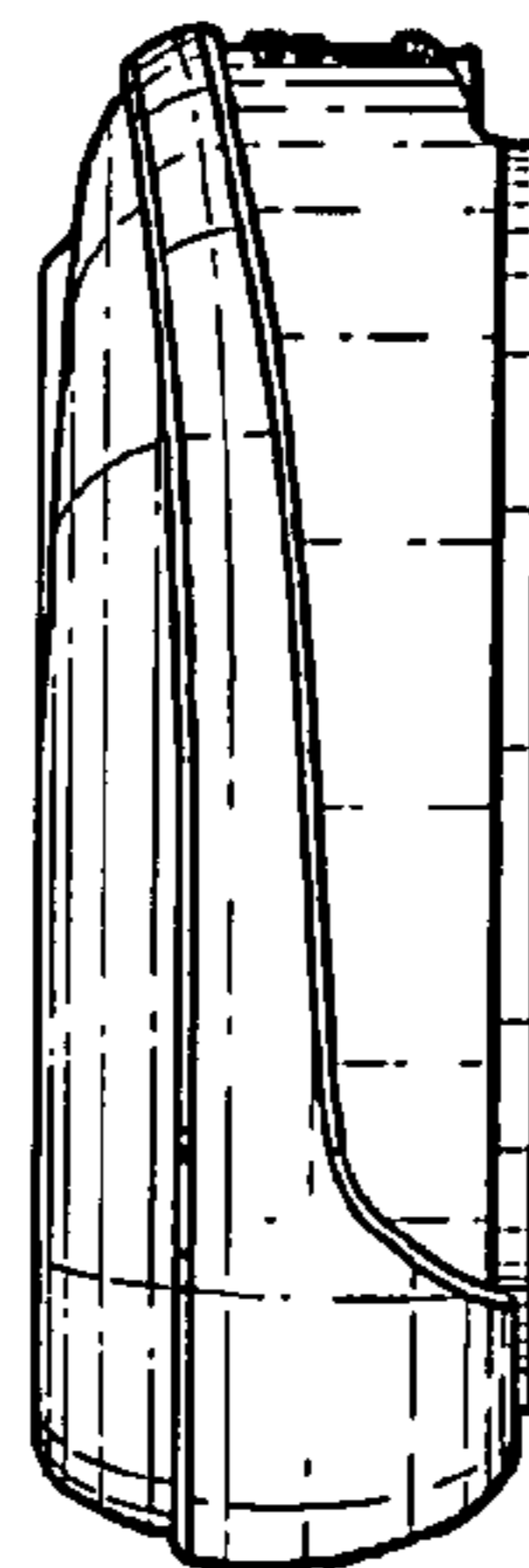


Fig. 9



Fig. 10

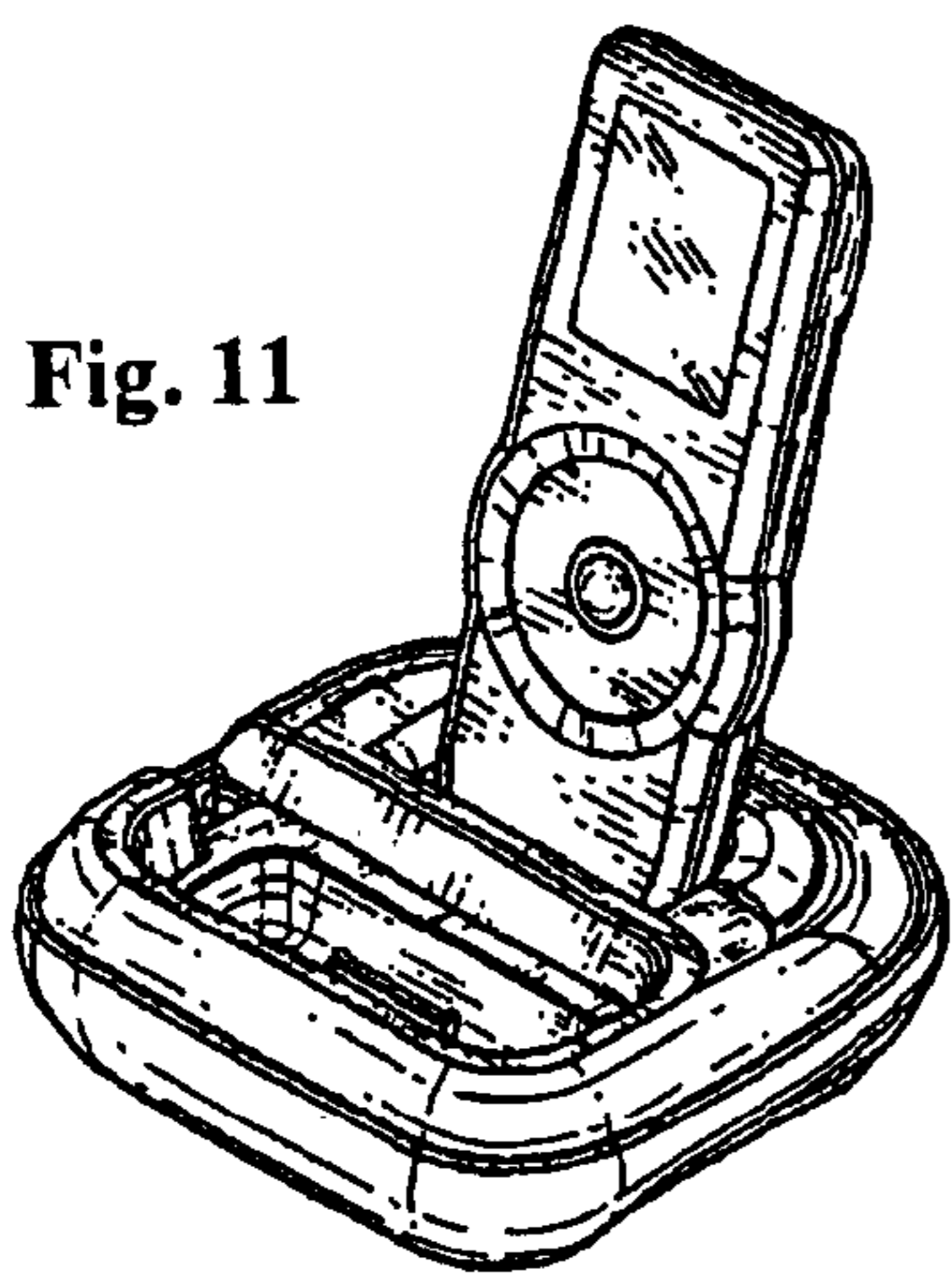


Fig. 11

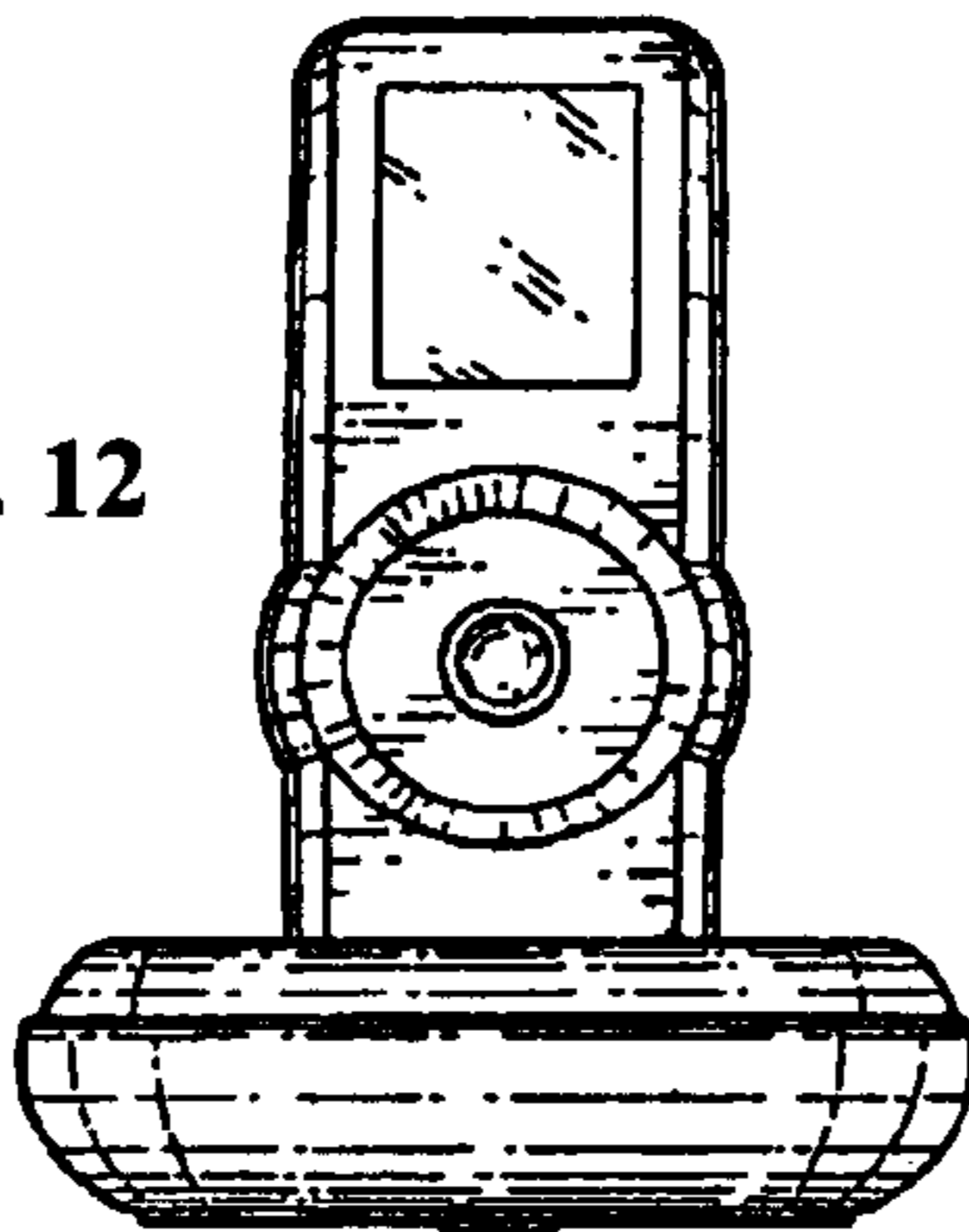


Fig. 12

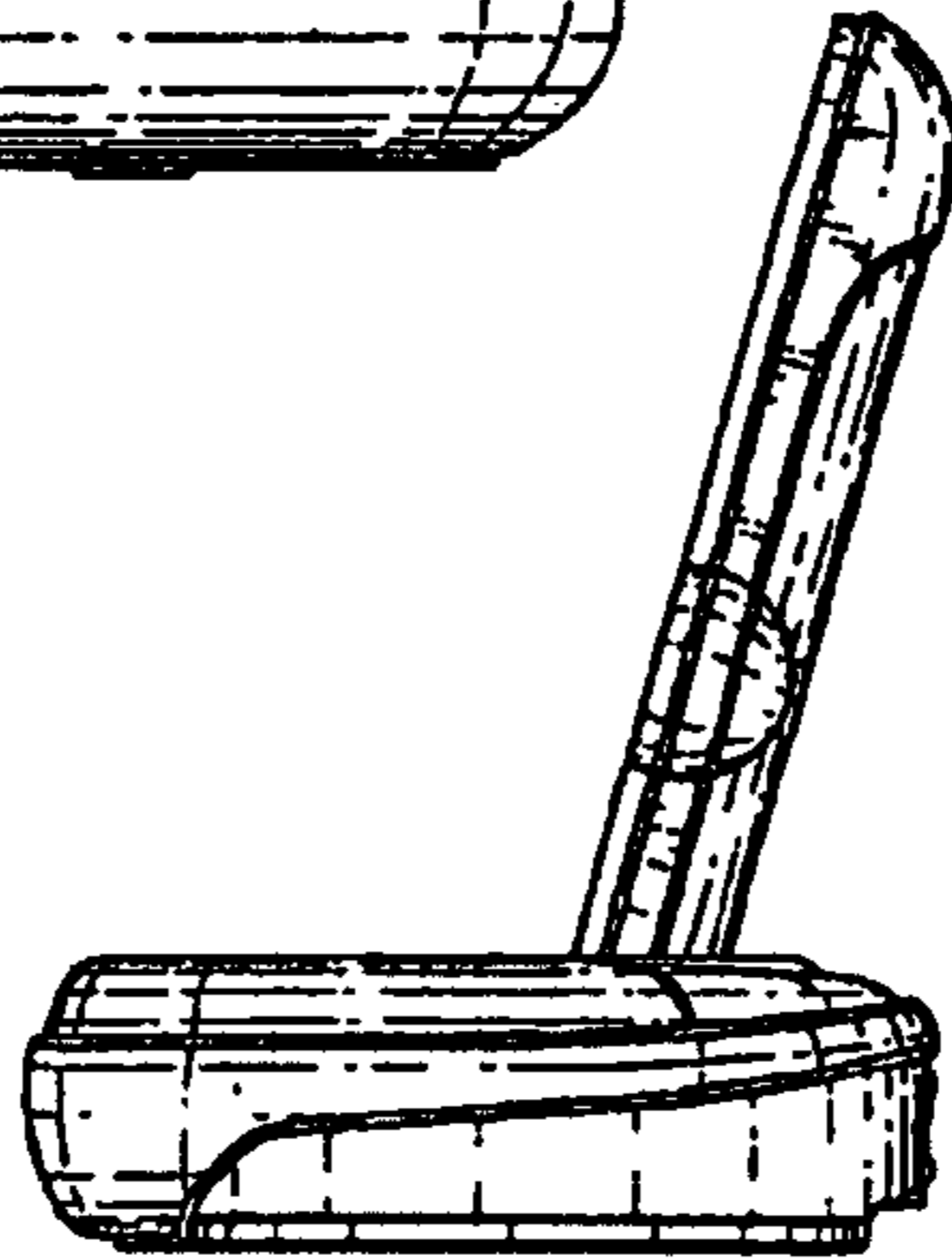


Fig. 13

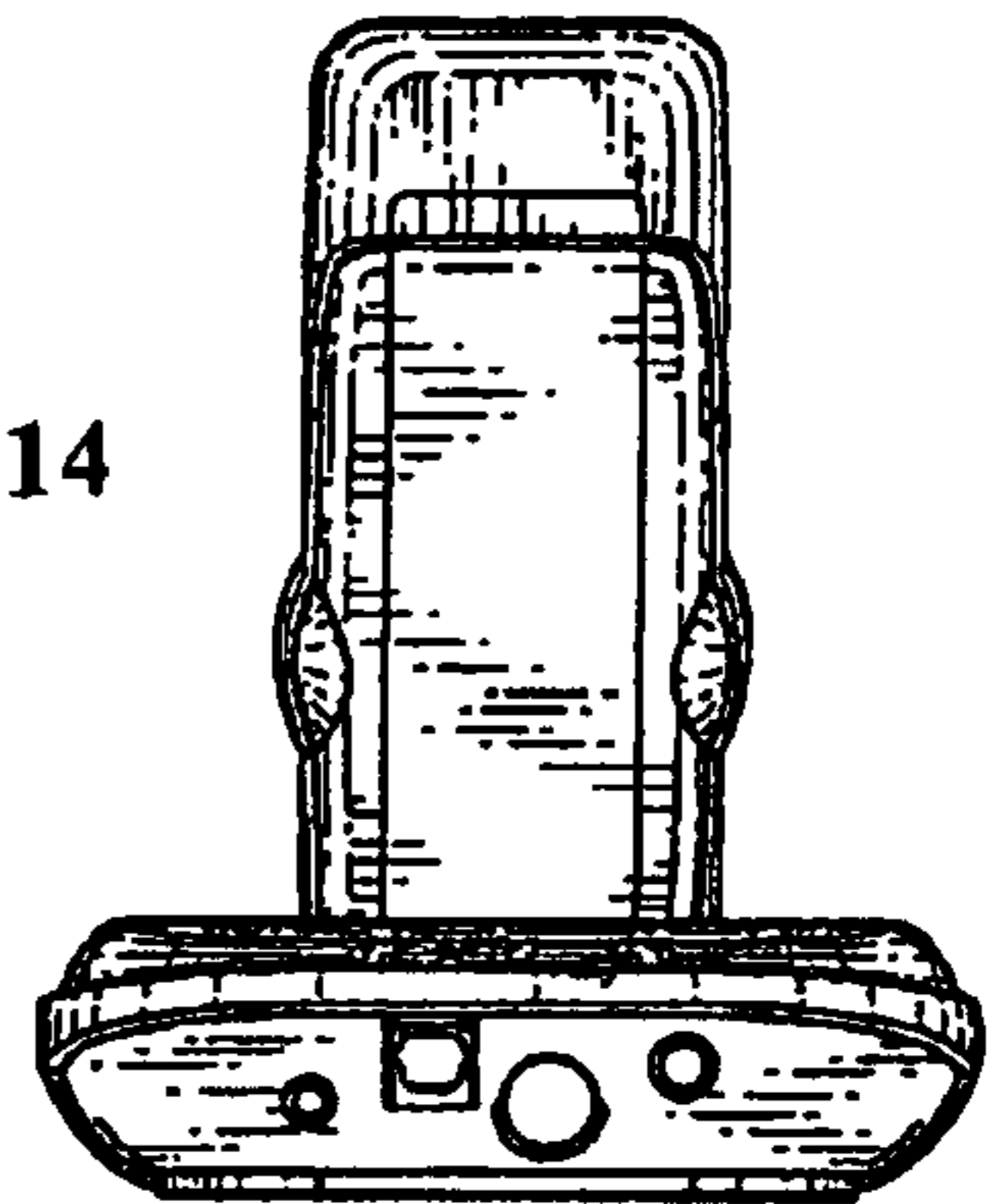


Fig. 14

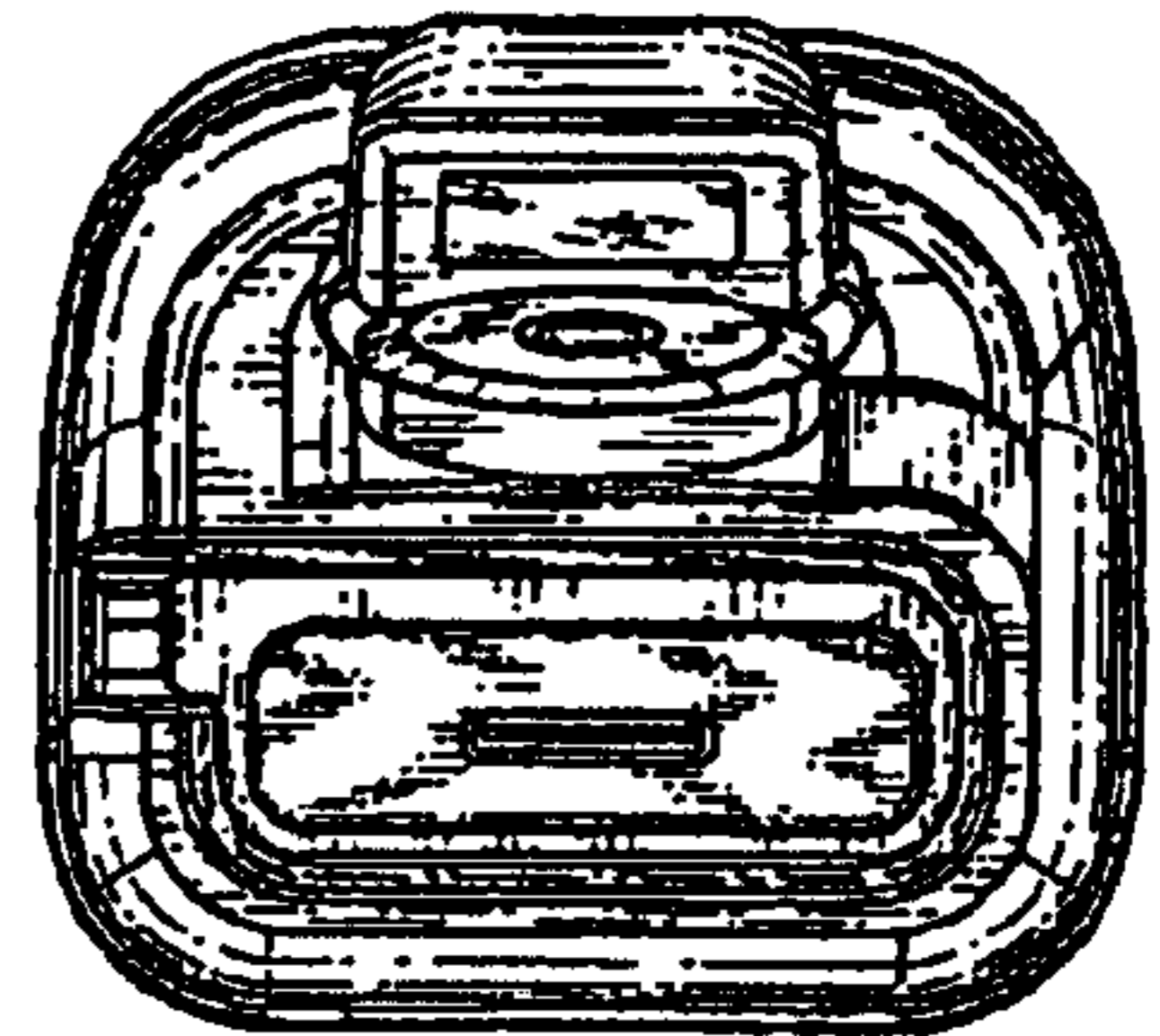


Fig. 15

UNITED STATES PATENT AND TRADEMARK OFFICE
CERTIFICATE OF CORRECTION

PATENT NO. : Des. 585,052 S
APPLICATION NO. : 29/288990
DATED : January 20, 2009
INVENTOR(S) : Dan Mamane, Frederic Boutin and Patrick Naveau

Page 1 of 1

It is certified that error appears in the above-identified patent and that said Letters Patent is hereby corrected as shown below:

On the Title Page, Item (73), Assignee: please delete "Barron SA, Preverenges (CH)" and insert in lieu thereof -- Harron SA, Preverenges (CH) --

Signed and Sealed this

Twentieth Day of October, 2009



David J. Kappos
Director of the United States Patent and Trademark Office