



US00D585049S

(12) **United States Design Patent**
Koroma

(10) **Patent No.:** **US D585,049 S**
(45) **Date of Patent:** **** Jan. 20, 2009**

(54) **MUSIC CD PLAYER WITH VIDEO SCREEN**

Primary Examiner—Nanda Bondade

(76) Inventor: **Ismail S. Koroma**, 8030 E. Windsor Rd.,
Selma, IN (US) 47383

(57) **CLAIM**

I claim, the ornamental design for the music CD player with video screen, as shown and described.

(**) Term: **14 Years**

(21) Appl. No.: **29/302,596**

DESCRIPTION

(22) Filed: **Jan. 19, 2008**

FIG. 1 is a front elevational view of the music CD player with video screen showing my new design;

(51) **LOC (9) Cl.** **14-01**

FIG. 2 is a rear elevational view of the music CD player with video screen thereof;

(52) **U.S. Cl.** **D14/168**

(58) **Field of Classification Search** D14/135–136,
D14/156, 157, 167–168, 126, 198, 188; 381/385,
381/387, 334; 360/99.02, 99.07; 369/75.11,
369/75.21, 77.21, 77.11; 720/612, 619, 647,
720/655; 455/344, 347–351

FIG. 3 is a left-side elevational view of the music CD player with video screen thereof;

FIG. 4 is right side elevational view of the music CD player with video screen thereof;

See application file for complete search history.

FIG. 5 is a top plan view of the music CD player with video screen thereof;

(56) **References Cited**

U.S. PATENT DOCUMENTS

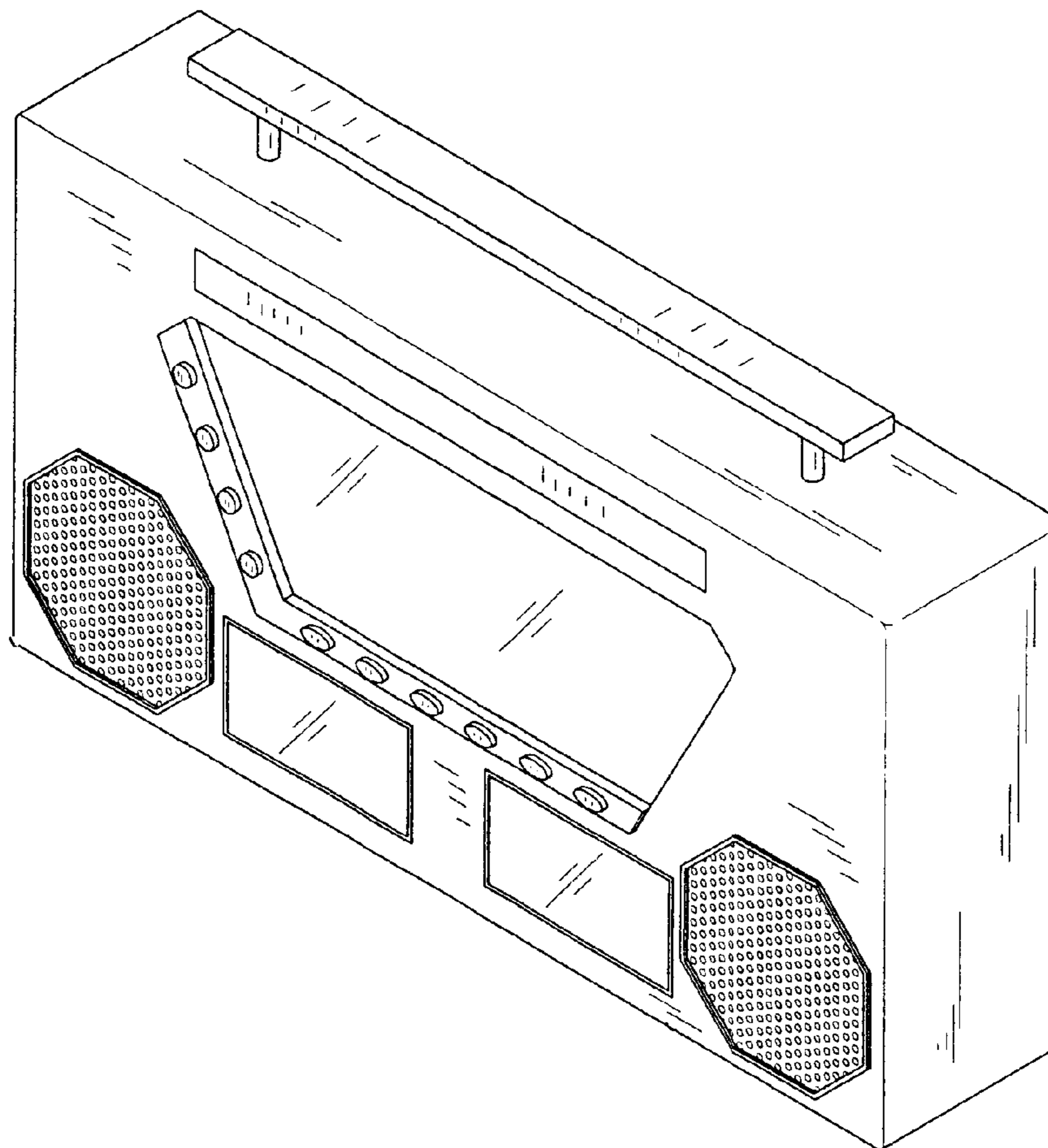
- 4,450,495 A * 5/1984 Naruki 381/385
- D524,641 S * 7/2006 Hamilton et al. D14/168
- D538,782 S * 3/2007 Ishibashi D14/168

FIG. 6 is a bottom plan view of the music CD player with video screen thereof; and,

FIG. 7 is a perspective view of the music CD player with video screen thereof.

* cited by examiner

1 Claim, 3 Drawing Sheets



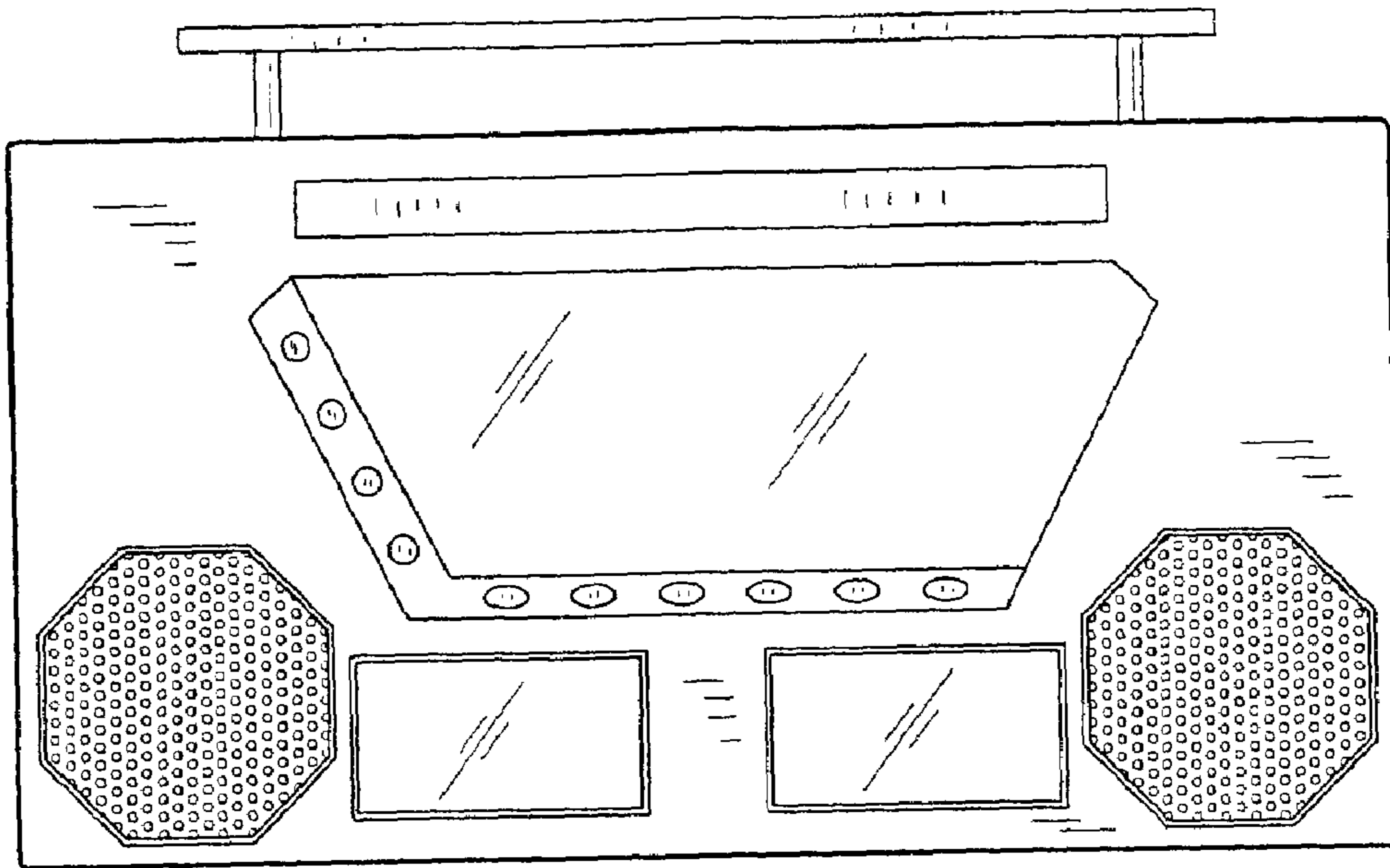


FIG. 1

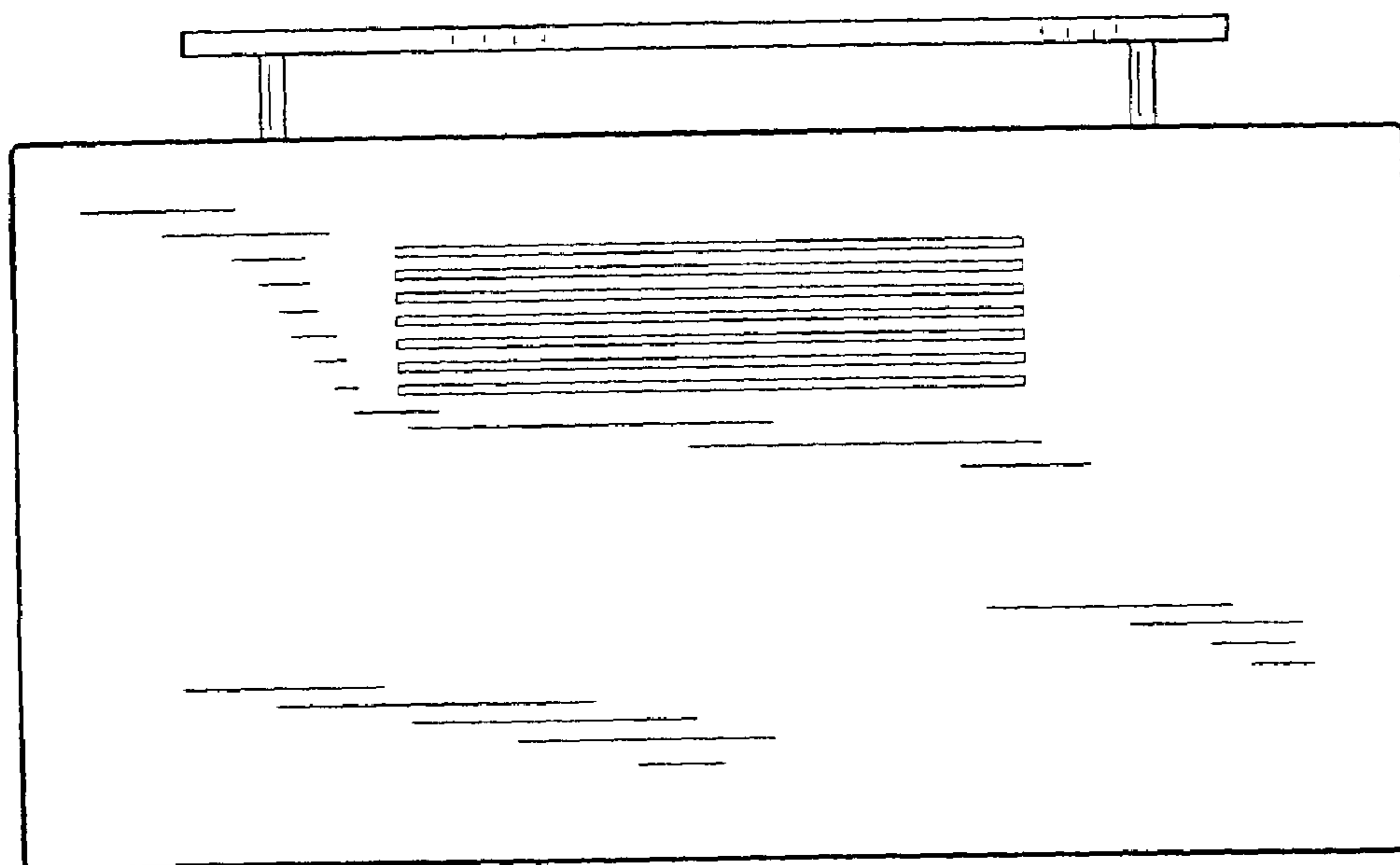


FIG. 2

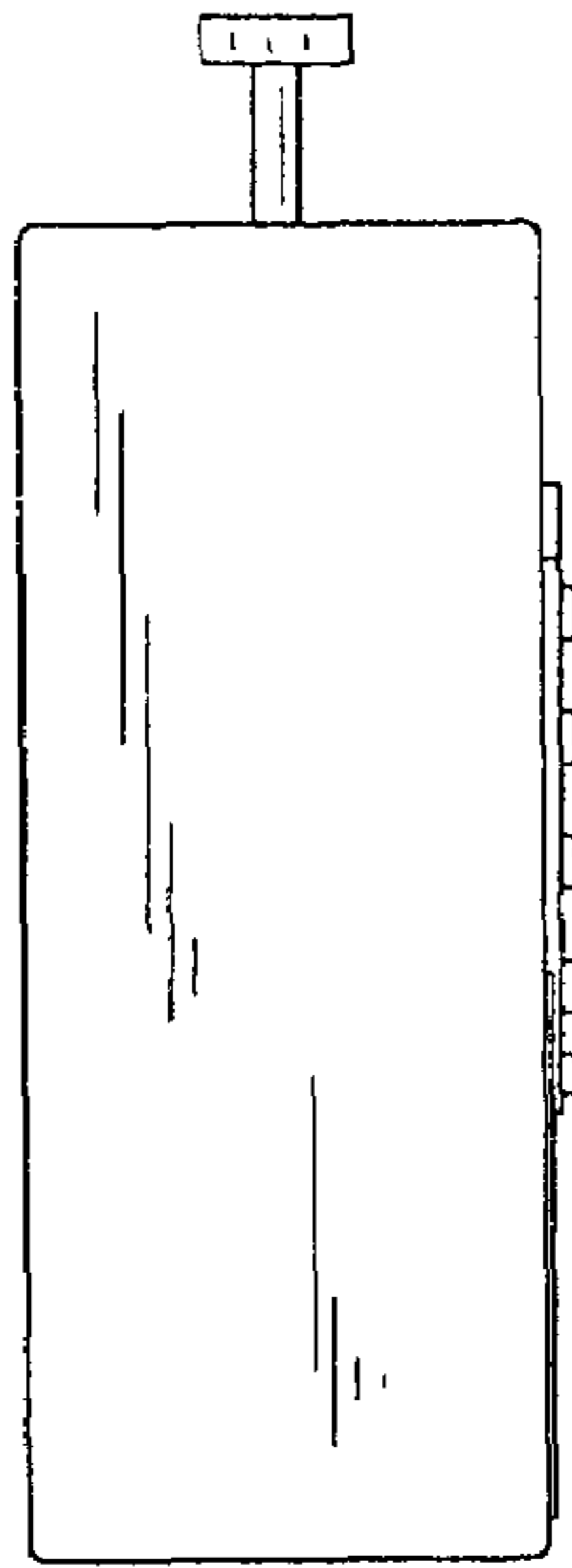


FIG. 3

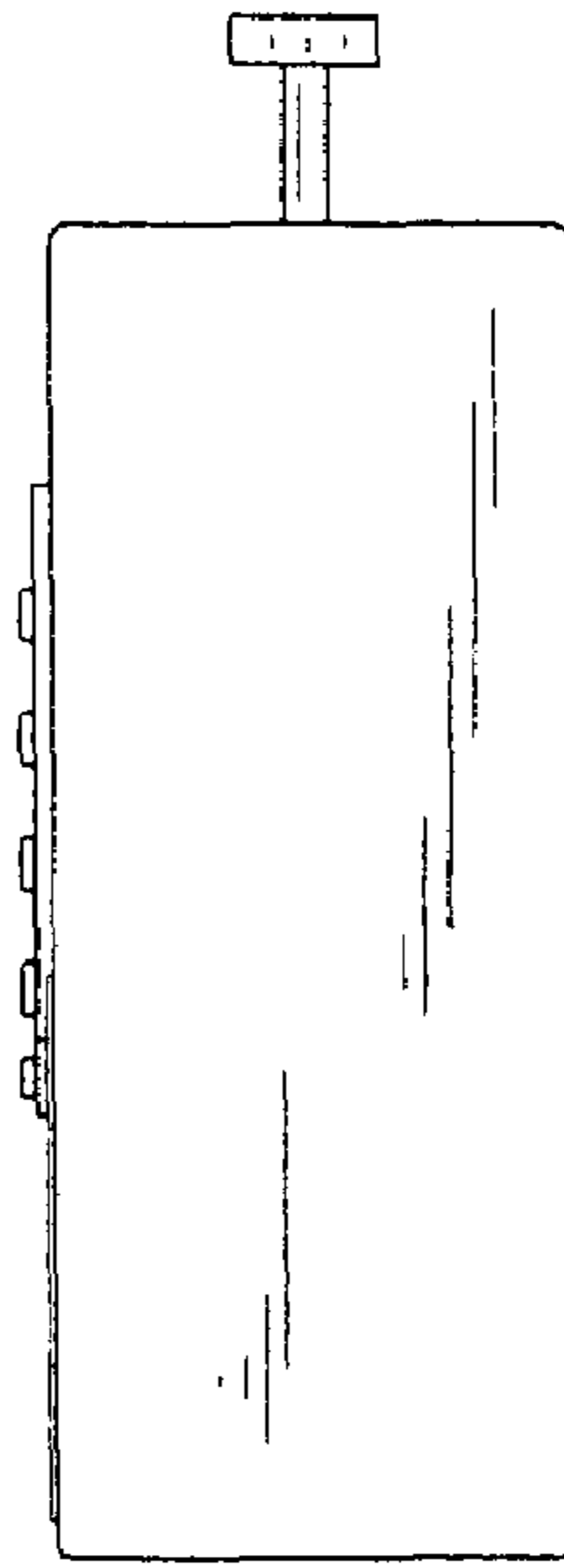


FIG. 4

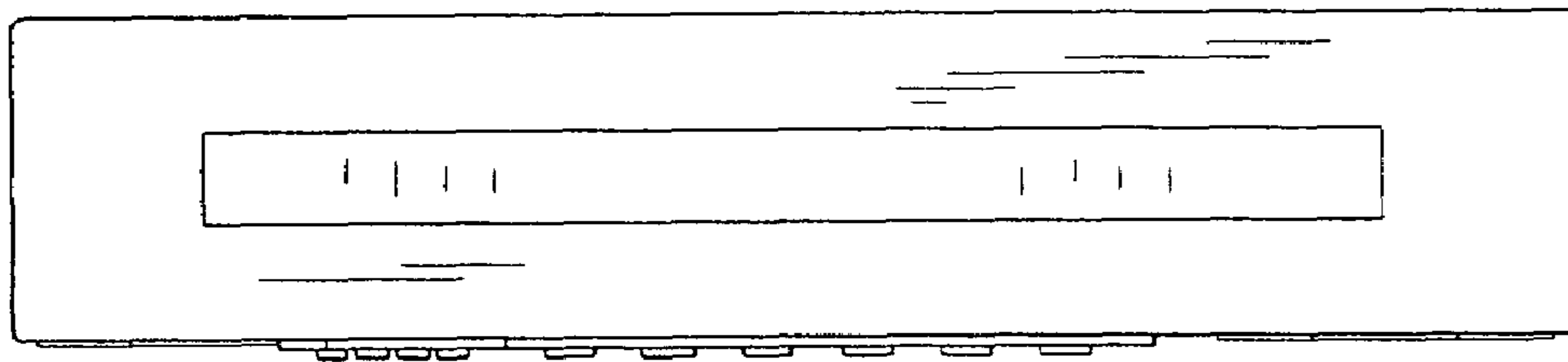


FIG. 5

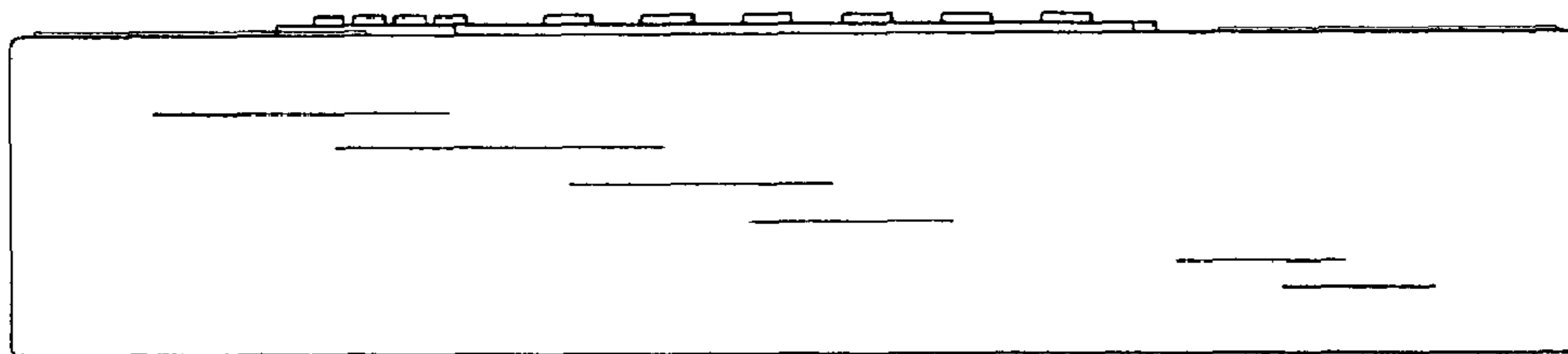


FIG. 6

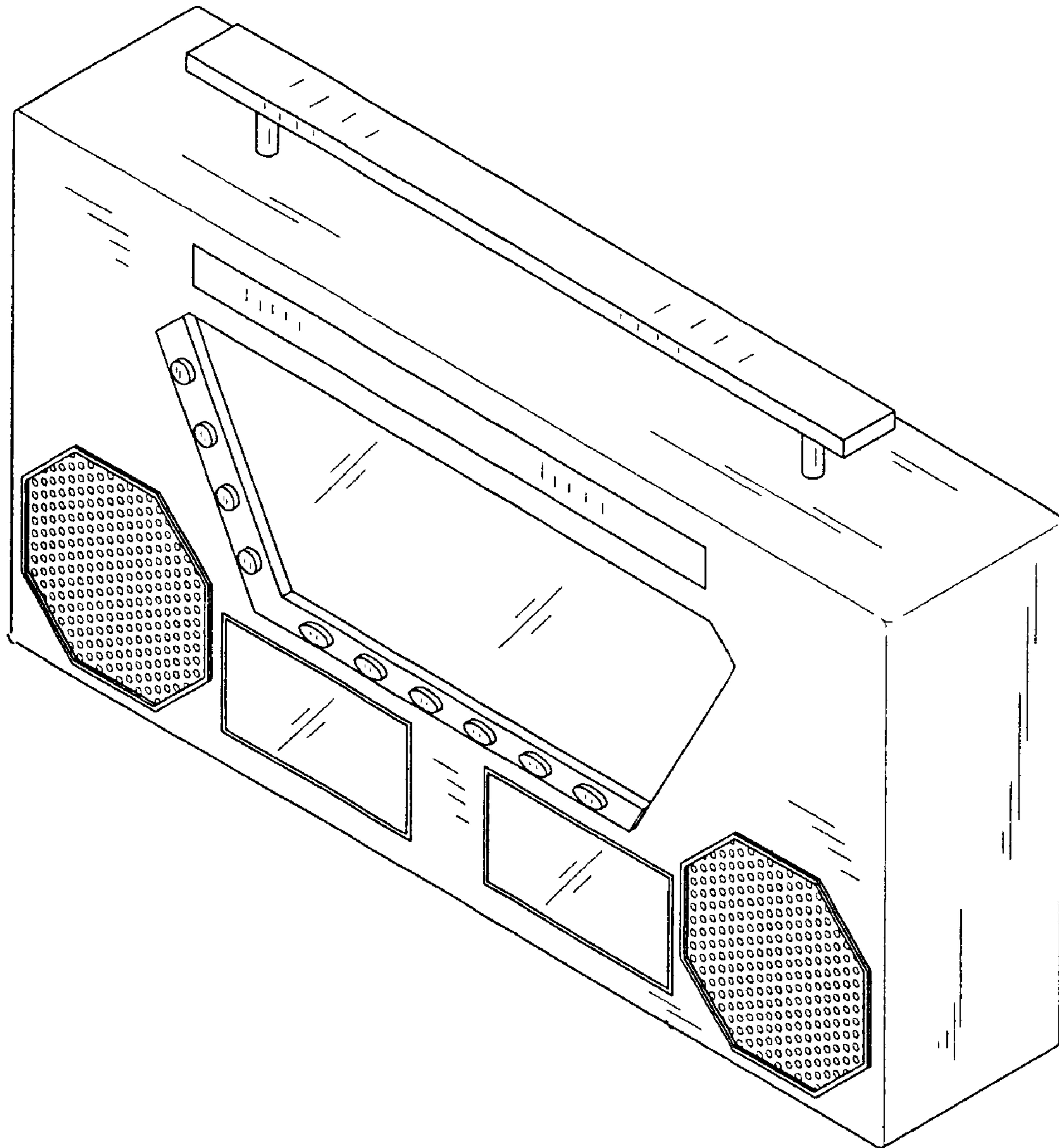


FIG. 7