



US00D585045S

(12) **United States Design Patent**  
**Kim et al.**

(10) **Patent No.:** **US D585,045 S**  
(45) **Date of Patent:** **\*\* Jan. 20, 2009**

(54) **MOBILE PHONE**

(75) Inventors: **Yoo Seok Kim**, Seoul (KR); **Kyu Suh Park**, Seoul (KR); **Seung Hoon Ryu**, Gyeonggi-do (KR); **Jin Wan Bae**, Seoul (KR); **Gang Ho Woo**, Seoul (KR)

(73) Assignee: **LG Electronics Inc.**, Seoul (KR)

(\*\*) Term: **14 Years**

(21) Appl. No.: **29/300,153**

(22) Filed: **Feb. 27, 2008**

(30) **Foreign Application Priority Data**

Aug. 30, 2007 (KR) ..... 30-2007-0037080

(51) **LOC (9) Cl.** ..... **14-03**

(52) **U.S. Cl.** ..... **D14/138 AA; D14/138 C**

(58) **Field of Classification Search** ..... D14/137, D14/138 R, 138 AA, 138 AB, 138 AD, 138 C, D14/138 G, 143-144, 147-148, 156, 218, D14/247-248, 341-347, 390, 399, 455-456, D14/496; D13/164, 168; D16/208; D21/329, D21/331, 333, 517; 343/702; 348/14.01-14.02; 361/814; 379/433.01-433.13; 439/165; 455/90.3, 556.1-556.2, 566, 575.1, 575.3, 455/575.4

See application file for complete search history.

(56) **References Cited**

**U.S. PATENT DOCUMENTS**

D265,326 S \* 7/1982 Sugiyama ..... D21/331  
D450,305 S \* 11/2001 Masuzoe et al. .... D13/168  
D451,891 S \* 12/2001 Noonan et al. .... D13/168  
D546,810 S \* 7/2007 Kwak, II ..... D14/138 AA  
D550,194 S \* 9/2007 Park et al. .... D14/138 AA  
D550,642 S \* 9/2007 Jiang et al. .... D14/138 AA  
D551,202 S \* 9/2007 Choi ..... D14/138 AA  
D551,649 S \* 9/2007 Moon et al. .... D14/138 AA  
D556,175 S \* 11/2007 Hong et al. .... D14/138 AA  
D560,641 S \* 1/2008 Jung et al. .... D14/138 AA

D565,017 S \* 3/2008 Kim et al. .... D14/138 AA  
D573,973 S \* 7/2008 Lee et al. .... D14/138  
2005/0245295 A1 \* 11/2005 Lee et al. .... 455/575.1

**OTHER PUBLICATIONS**

Samsung P310, announced Sep. 2006, <URL:http://www.gsmarena.com/samsung\_p310-pictures-1682.php>, retrieved from internet Sep. 14, 2008.\*

Sony Ericsson P1, May 2007, <URL:http://www.gsmarena.com/sony\_ericsson\_p1-pictures-1982.php>, retrieved from internet Sep. 14, 2008 7:40:09 PM.\*

\* cited by examiner

*Primary Examiner*—Ian Simmons

*Assistant Examiner*—Carla Jobe Wright

(74) *Attorney, Agent, or Firm*—Morgan, Lewis & Bockius LLP

(57) **CLAIM**

The ornamental design for a mobile phone, as shown and described.

**DESCRIPTION**

FIG. 1 is a perspective view of a mobile phone showing our new design;

FIG. 2 is a front view thereof;

FIG. 3 is a rear view thereof;

FIG. 4 is a left side view thereof;

FIG. 5 is a right side view thereof;

FIG. 6 is a top plan view thereof;

FIG. 7 is a bottom plan view thereof;

FIG. 8 is a front view thereof in a condition in which the display portion has been moved to one side and the inner camera button portion is exposed; and,

FIG. 9 is a rear view thereof in a condition in which the display portion has been moved to one side and the inner camera portion is exposed.

**1 Claim, 8 Drawing Sheets**

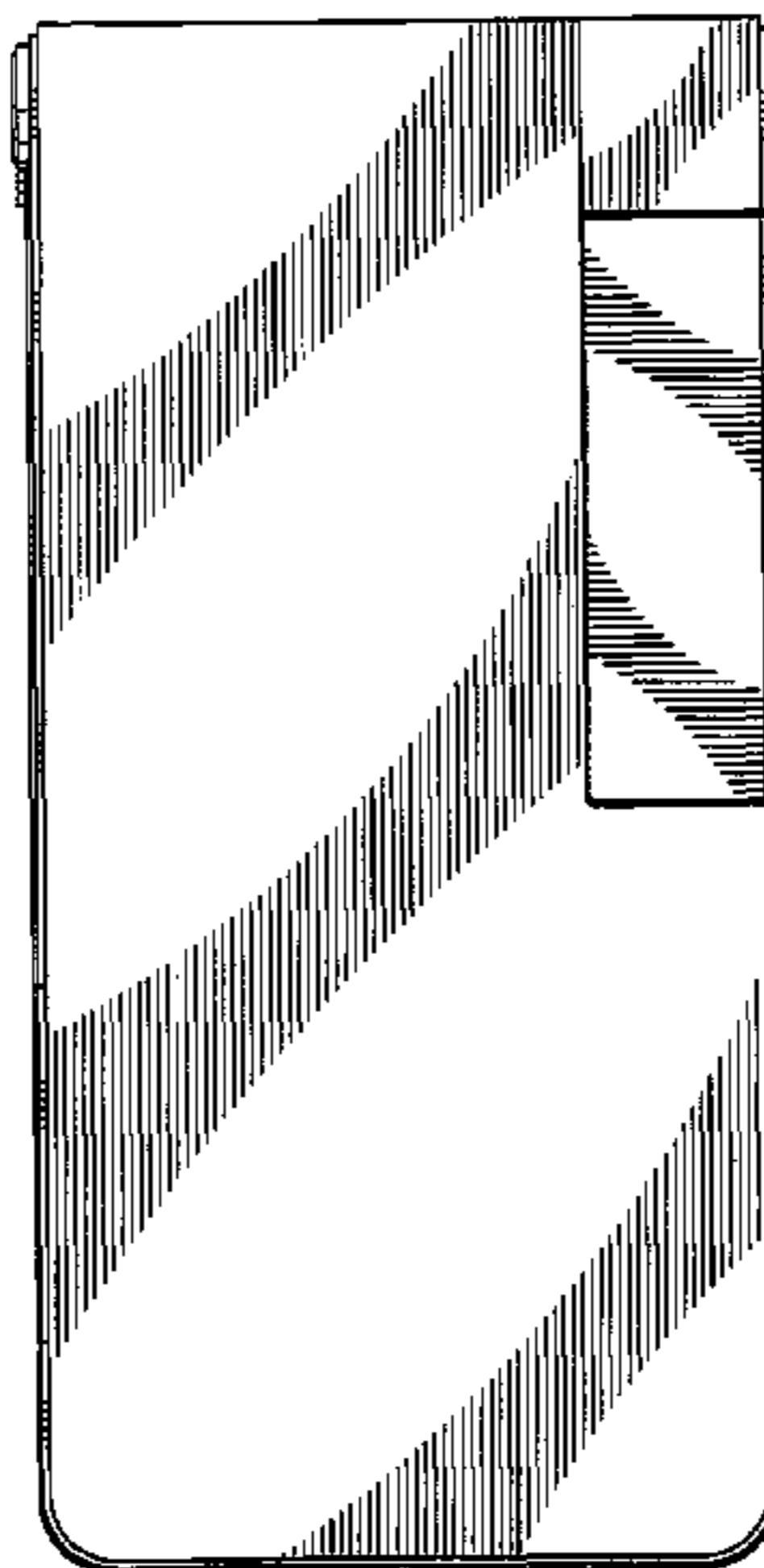
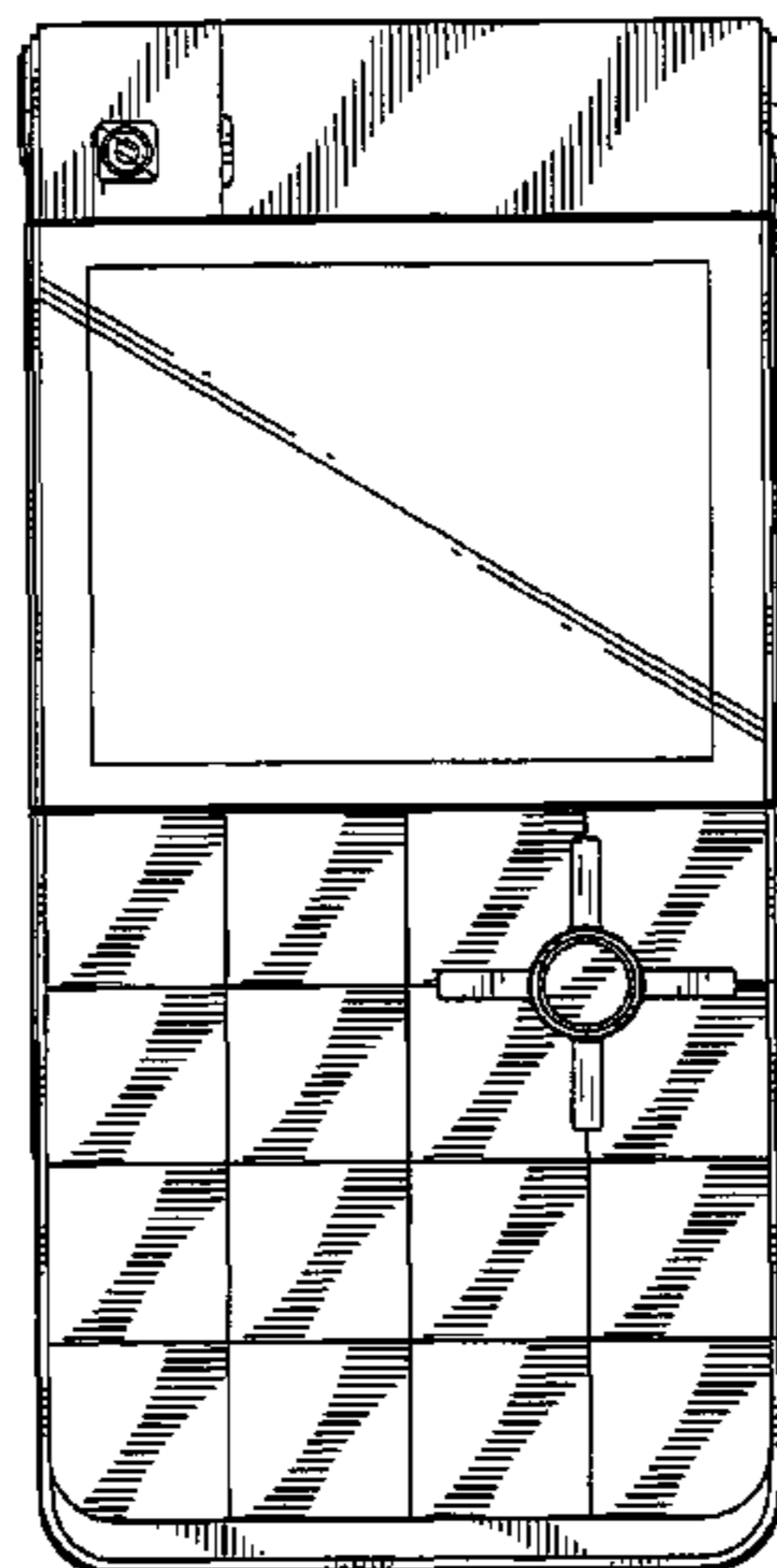


FIG. 1

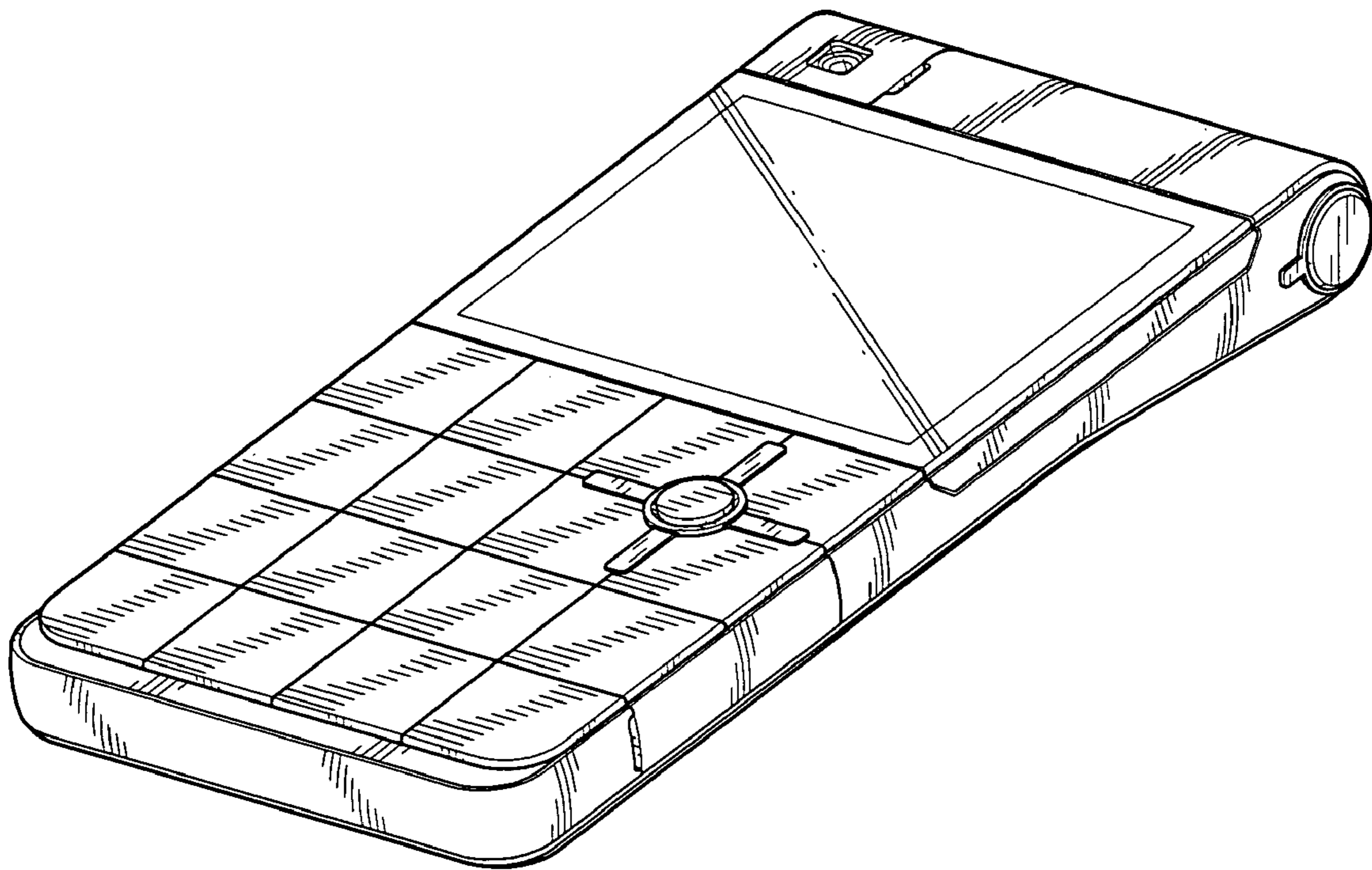


FIG. 2

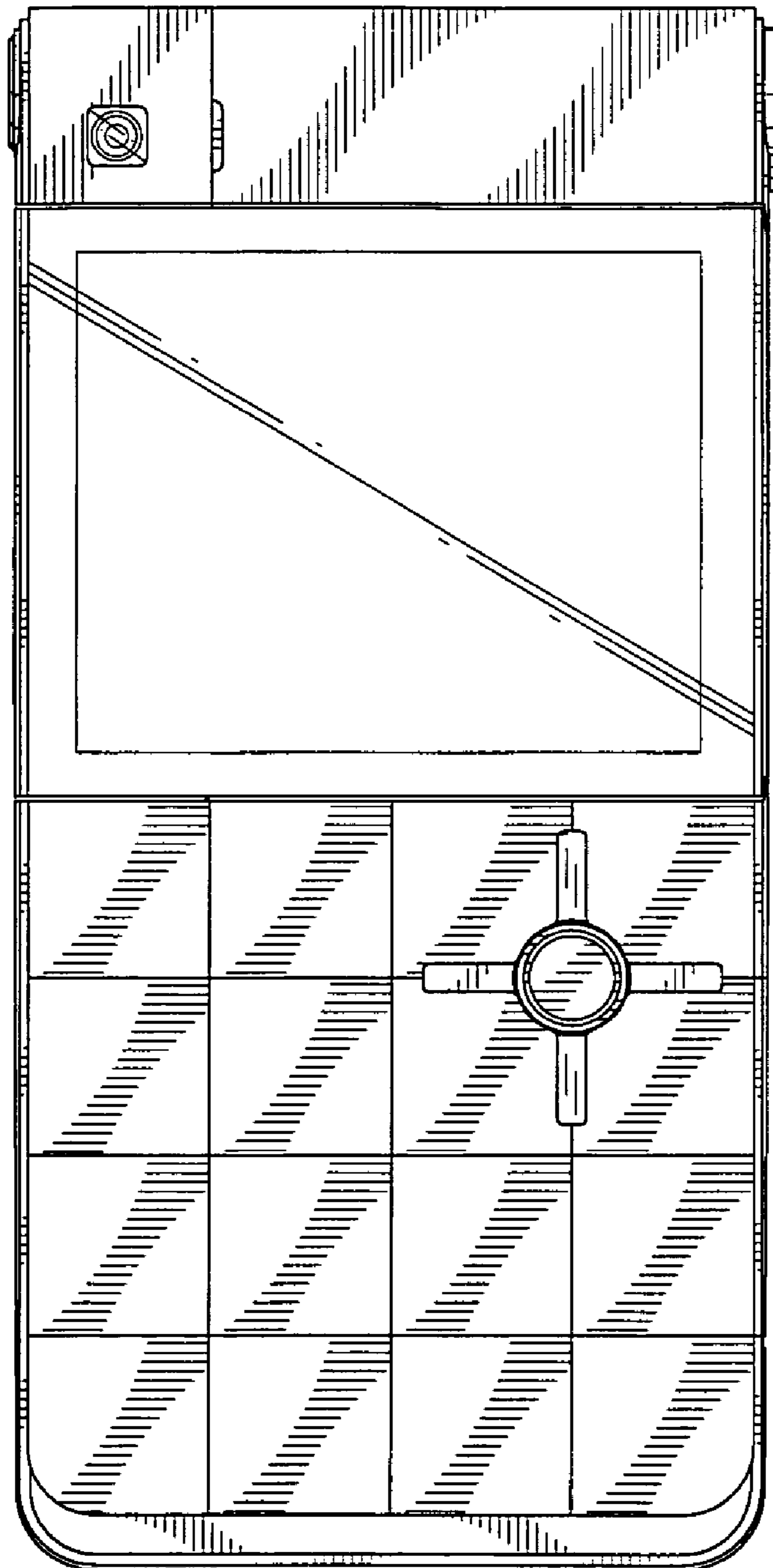


FIG. 3

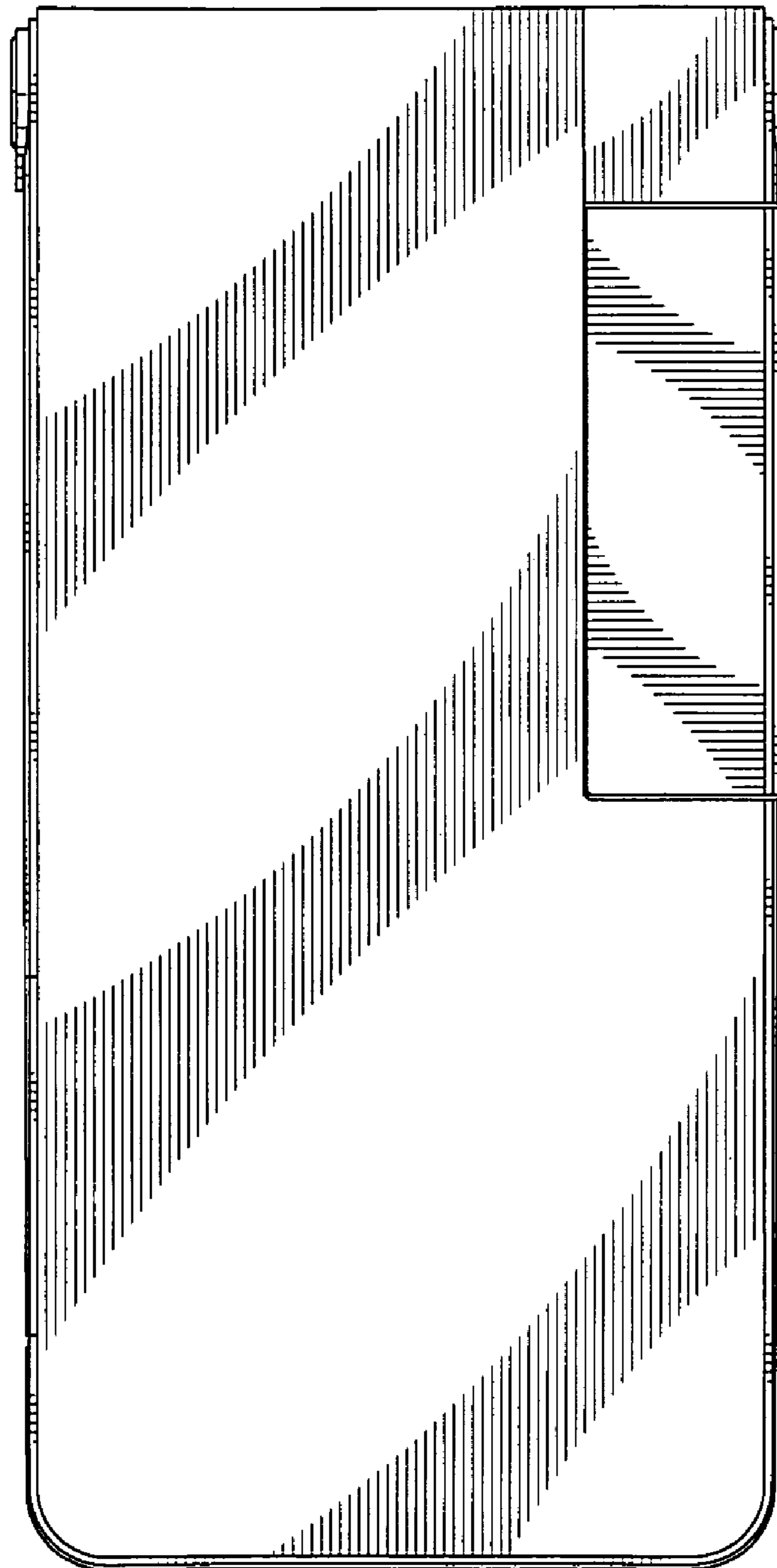


FIG. 4

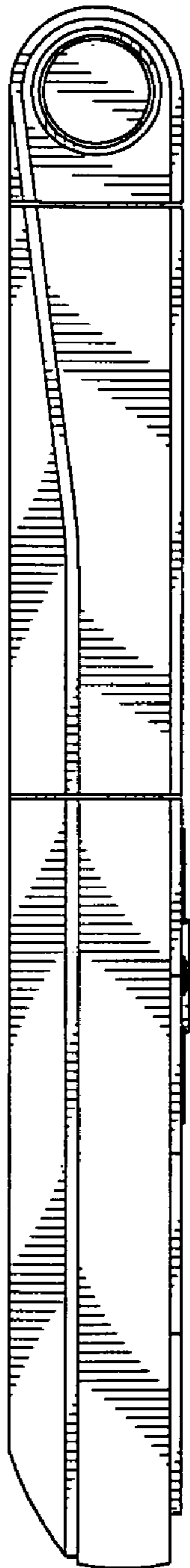


FIG. 5

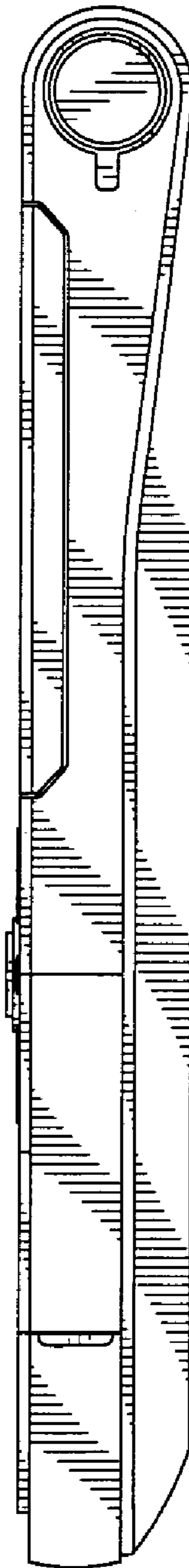


FIG. 6

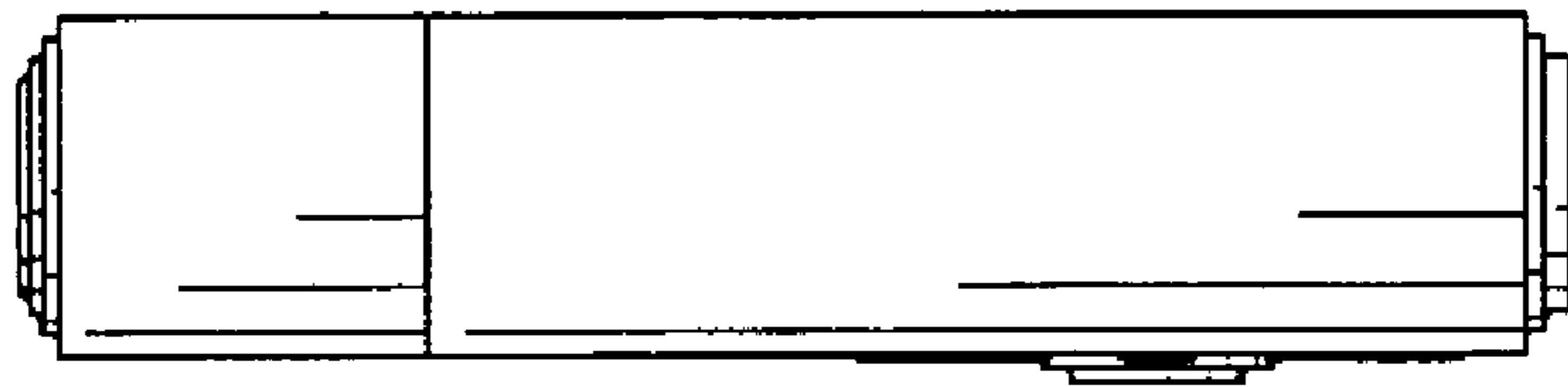


FIG. 7

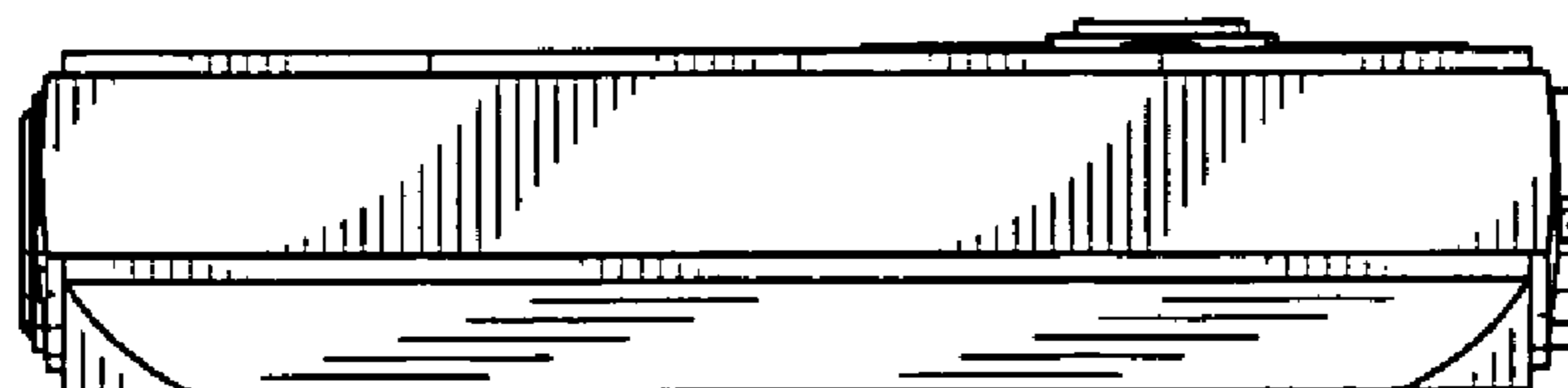


FIG. 8

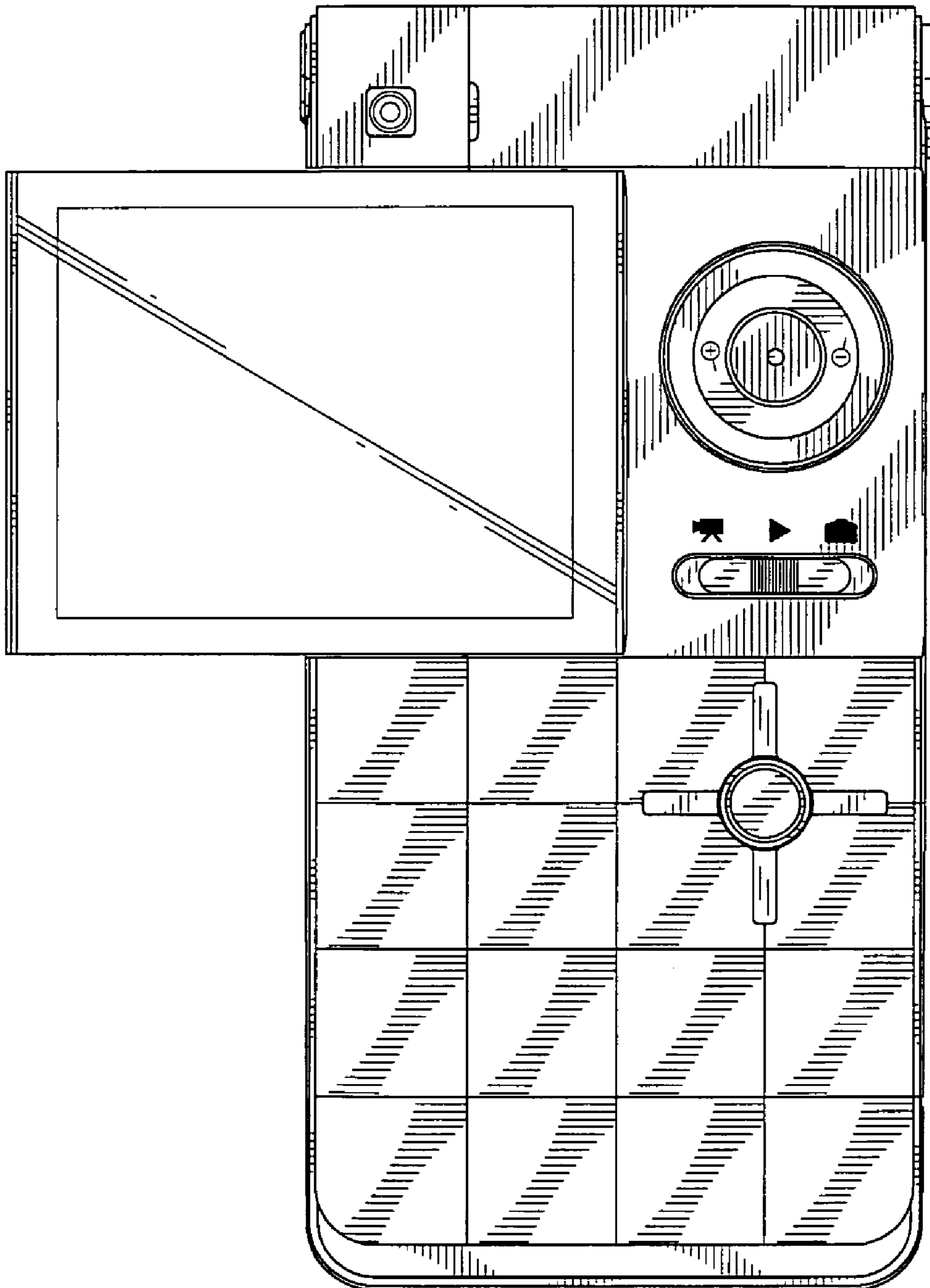




FIG. 9

