



US00D585037S

(12) **United States Design Patent**  
**Drozdenko et al.**

(10) **Patent No.:** **US D585,037 S**  
(45) **Date of Patent:** **\*\* Jan. 20, 2009**

(54) **DIGITAL VIDEO RECORDER**

(75) Inventors: **Lee M. Drozdenko**, Bristol, CT (US);  
**Christian M. Netter**, West Hartford, CT  
(US); **Mark T. Hofmann**, Unionville,  
CT (US); **Nancy Poisson**, Avon, CT  
(US); **Paula Kwon**, Washington, DC  
(US); **Daniel Joseph Nelsen**,  
Providence, RI (US); **Marco Wo**,  
Providence, RI (US)

(73) Assignee: **UTC Fire & Security Corporation**,  
Farmington, CT (US)

(\*\*) Term: **14 Years**

(21) Appl. No.: **29/291,926**

(22) Filed: **Sep. 21, 2007**

(51) **LOC (9) Cl.** ..... **14-01**

(52) **U.S. Cl.** ..... **D14/136**

(58) **Field of Classification Search** ..... D14/135-136,  
D14/156-157, 168, 197-198, 188, 257, 258;  
360/99.02, 99.07; 369/75.11, 75.21, 77.21,  
369/77.11; 720/612, 619, 647, 655; 455/344,  
455/347-351

See application file for complete search history.

(56) **References Cited**

**U.S. PATENT DOCUMENTS**

D294,490 S 3/1988 Lavine

D311,534 S 10/1990 Ban et al.  
D339,121 S \* 9/1993 Takemoto et al. .... D14/135  
D339,124 S \* 9/1993 Takemoto et al. .... D14/135  
D368,471 S 4/1996 Kitagawa et al.  
D385,275 S \* 10/1997 Ito et al. .... D14/156  
D511,333 S \* 11/2005 Lai et al. .... D14/136  
D528,125 S \* 9/2006 Chen et al. .... D14/496

\* cited by examiner

*Primary Examiner*—Nanda Bondade  
(74) *Attorney, Agent, or Firm*—Kinney & Lange, P.A.

(57) **CLAIM**

The ornamental design for a digital video recorder, as shown and described.

**DESCRIPTION**

FIG. 1 is a perspective view of a digital video recorder showing our new design;

FIG. 2 is a right side view;

FIG. 3 is a left side view;

FIG. 4 is a front view;

FIG. 5 is a rear view;

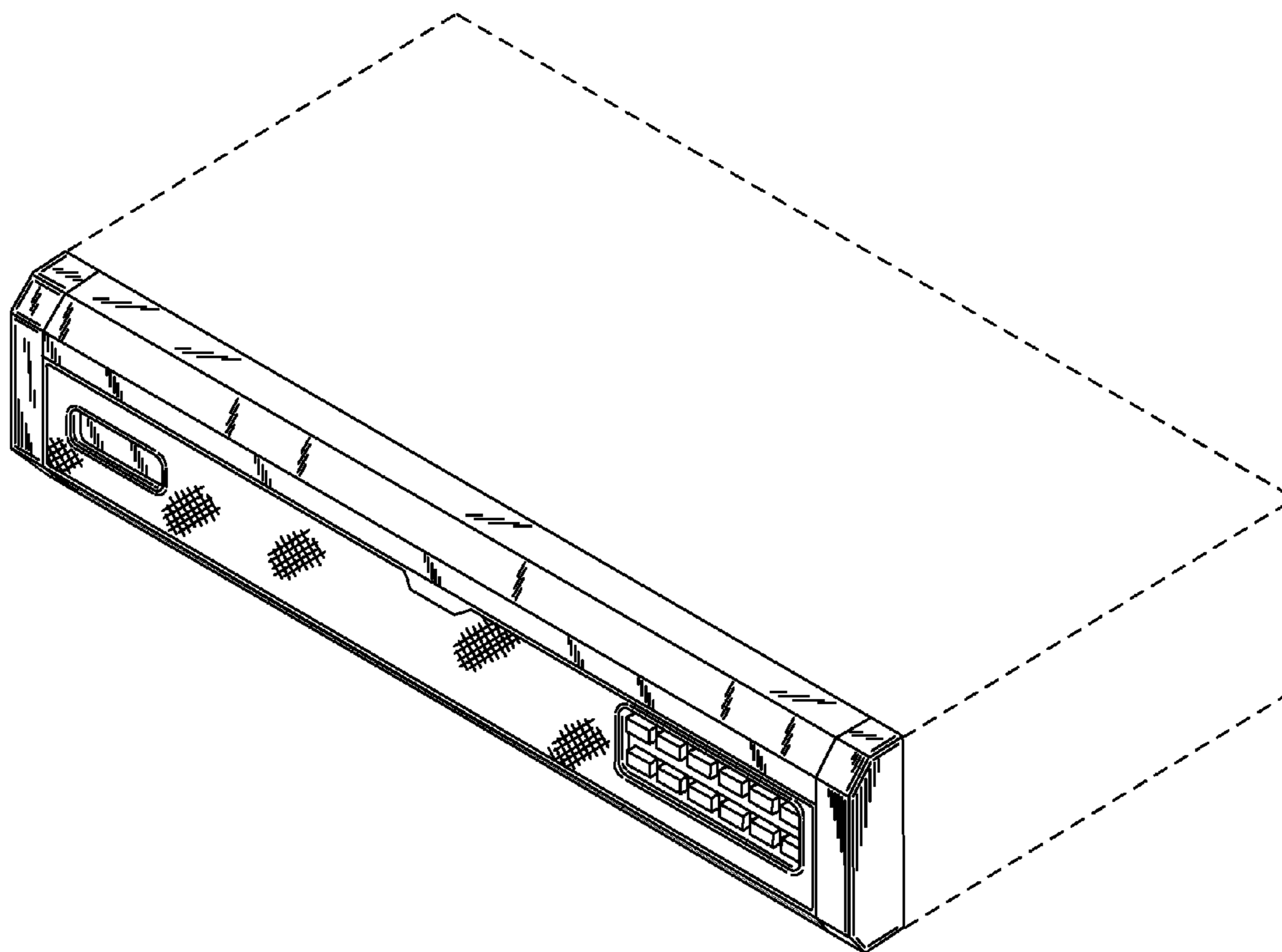
FIG. 6 is a bottom view;

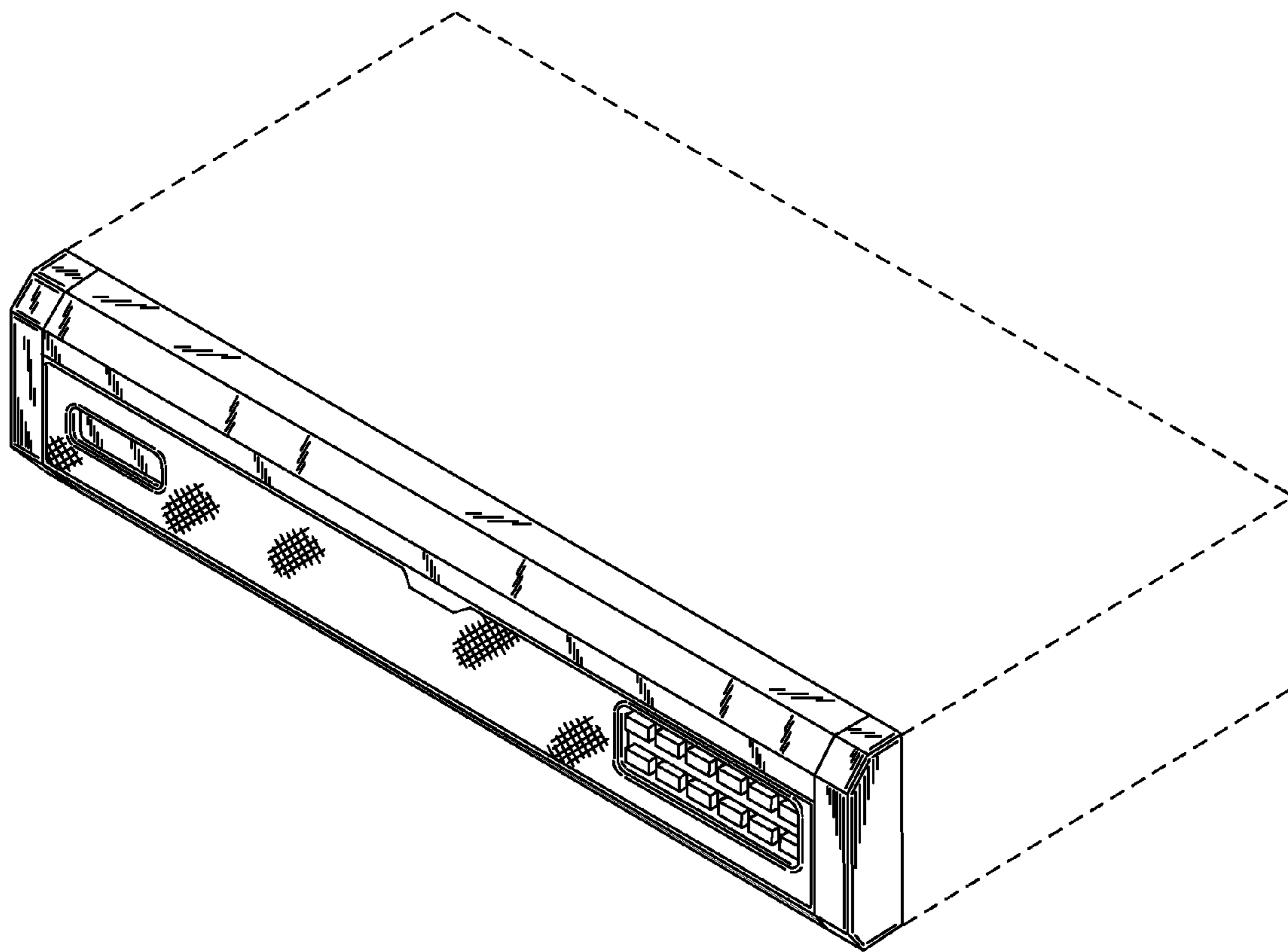
FIG. 7 is a top view; and,

FIG. 8 is a front view with the cover in an open position.

The broken lines in FIGS. 1-3 and 5-8 are for environmental purposes only and form no part of the claimed design.

**1 Claim, 6 Drawing Sheets**





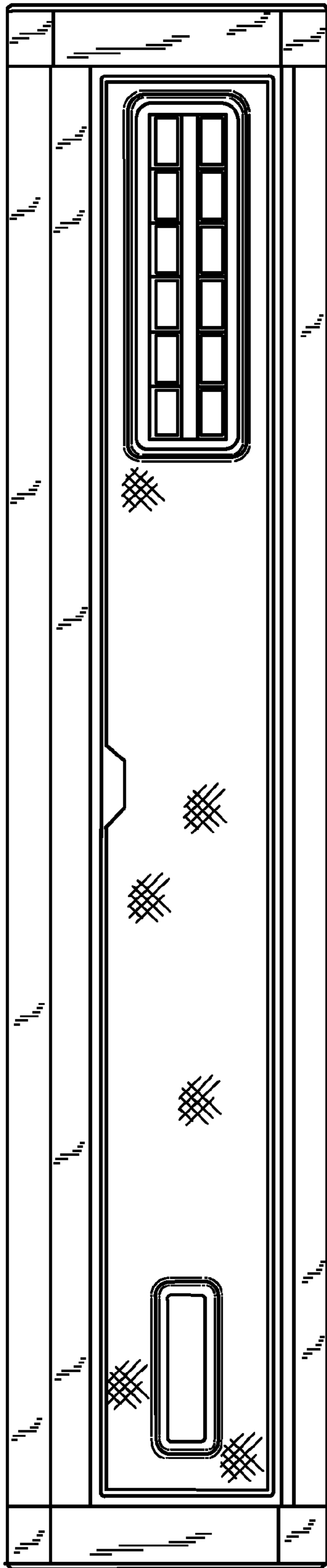
*Fig. 1*



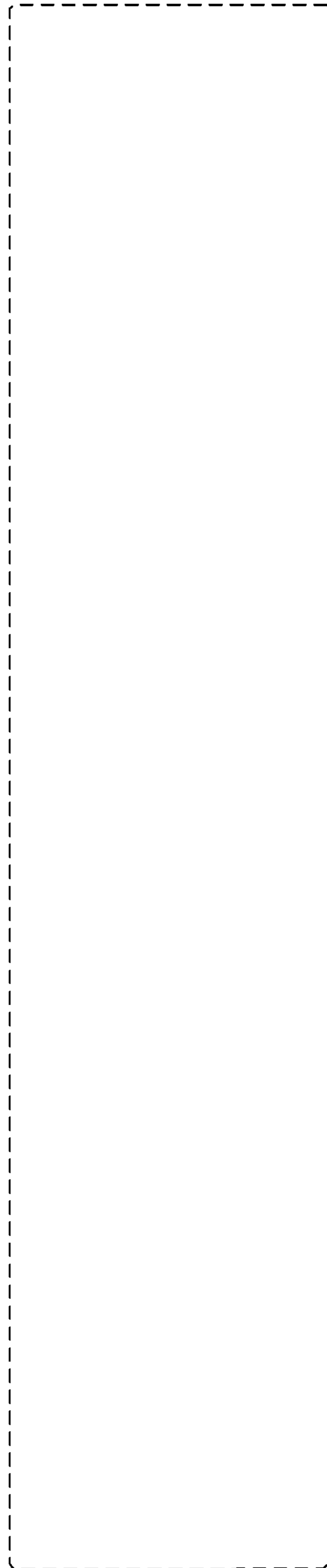
*Fig. 2*



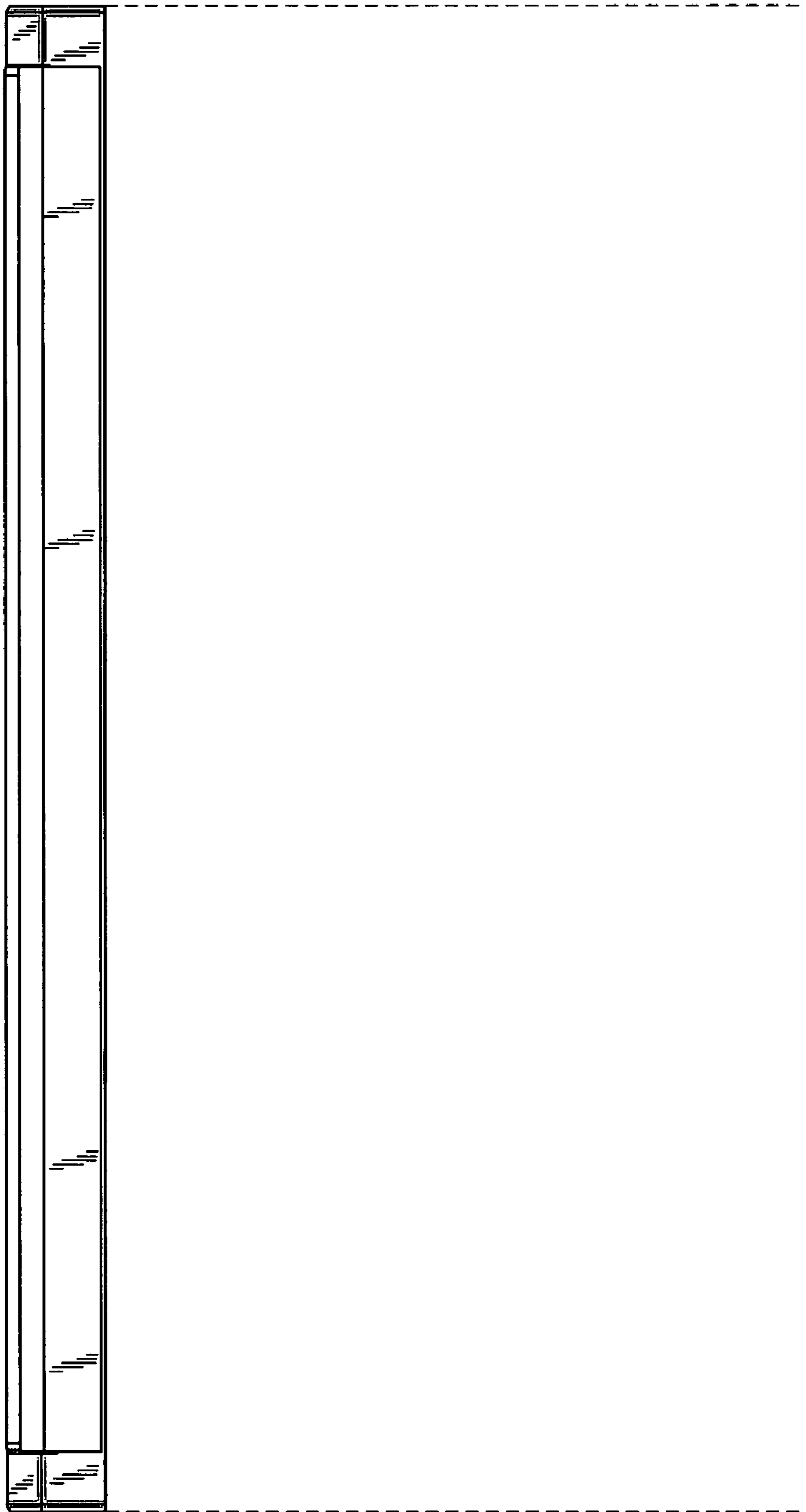
*Fig. 3*



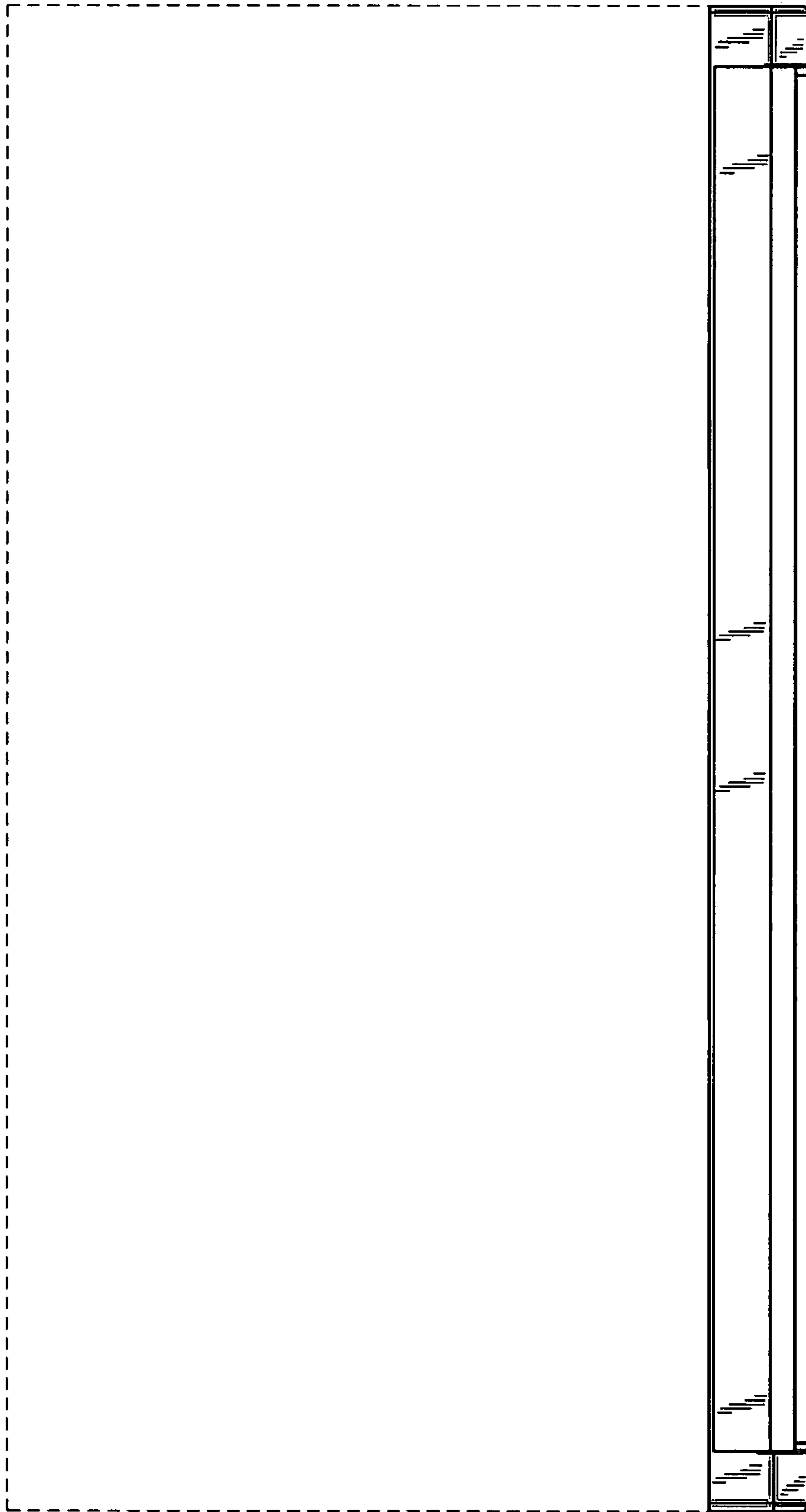
*Fig. 4*



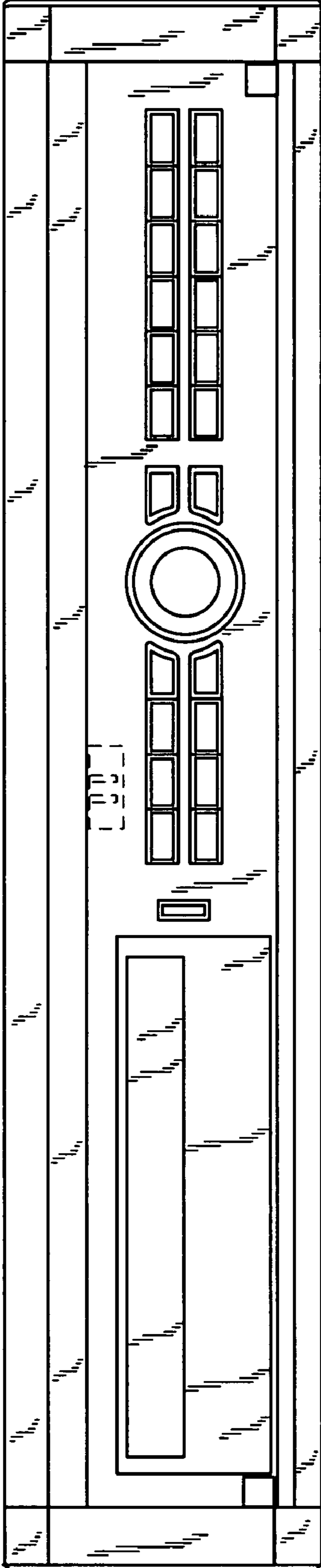
*Fig. 5*



*Fig. 6*



*Fig. 7*



*Fig. 8*