



US00D585036S

(12) **United States Design Patent**
Riggs

(10) **Patent No.:** **US D585,036 S**
(45) **Date of Patent:** **** Jan. 20, 2009**

(54) **MULTIPLY INTERCONNECTABLE ENVIRONMENTALLY INTERACTIVE CHARACTER SIMULATION MODULE**

D315,556 S 3/1991 Lim
D325,201 S 4/1992 Nakatsuka
D332,121 S * 12/1992 Shiraiishi D21/515
D353,805 S 12/1994 Lewis
5,445,552 A 8/1995 Hine
5,467,102 A 11/1995 Kuno et al.
5,537,127 A 7/1996 Jingu
D397,370 S 8/1998 Chen
D415,744 S 10/1999 Carter et al.

(75) Inventor: **Andrew J. Riggs**, Lewisville, TX (US)

(73) Assignee: **Mattel, Inc.**, El Segundo, CA (US)

(**) Term: **14 Years**

(21) Appl. No.: **29/305,282**

(22) Filed: **Mar. 17, 2008**

Related U.S. Application Data

(63) Continuation of application No. 29/280,962, filed on Jun. 11, 2007, now Pat. No. Des. 565,527, which is a continuation of application No. 29/233,875, filed on Jul. 11, 2005, now Pat. No. Des. 545,785.

(51) **LOC (9) Cl.** **14-03**

(52) **U.S. Cl.** **D14/126**

(58) **Field of Classification Search** D14/125-134, D14/239, 371, 136, 374-377, 440, 450, 448, D14/336, 342; 312/7.2; 348/836, 838, 180, 348/184, 325, 739; 341/12; 248/917-924, 248/465; 345/104, 133, 156, 168, 87, 173; 720/605, 669, 600, 655; 369/99, 197; 455/344, 455/347; D21/329, 515, 577, 622, 333, 433, D21/448, 452, 450, 331; D6/477, 479; 273/148 B; 446/484, 175, 356; D10/15, 26
See application file for complete search history.

(56) **References Cited**

U.S. PATENT DOCUMENTS

D169,363 S 4/1953 Ellison
D248,947 S 8/1978 Graham
4,233,778 A 11/1980 Lemelson
D276,343 S 11/1984 Enomoto
D281,502 S 11/1985 Wheeler
4,833,542 A 5/1989 Hara et al.
4,884,068 A 11/1989 Matheny et al.
D311,003 S 10/1990 Isonaga
D314,958 S 2/1991 Miyahara et al.

(Continued)

FOREIGN PATENT DOCUMENTS

EP 0880982 A 12/1998

(Continued)

OTHER PUBLICATIONS

Kawakami, Naoki, and Susumu Tachi, "Proposal for the Object Oriented Display: The Design and Implementation of the Media3", from Proceedings of the 7th International Conference on Artificial Reality and Tele/Existence, pp. 57/62, ICAT, Dec. 1997.

(Continued)

Primary Examiner—Raphael Barkai
(74) *Attorney, Agent, or Firm*—Bell, Boyd & Lloyd LLP

(57) **CLAIM**

The ornamental design for a multiply interconnectable environmentally interactive character simulation module, as shown and described herein.

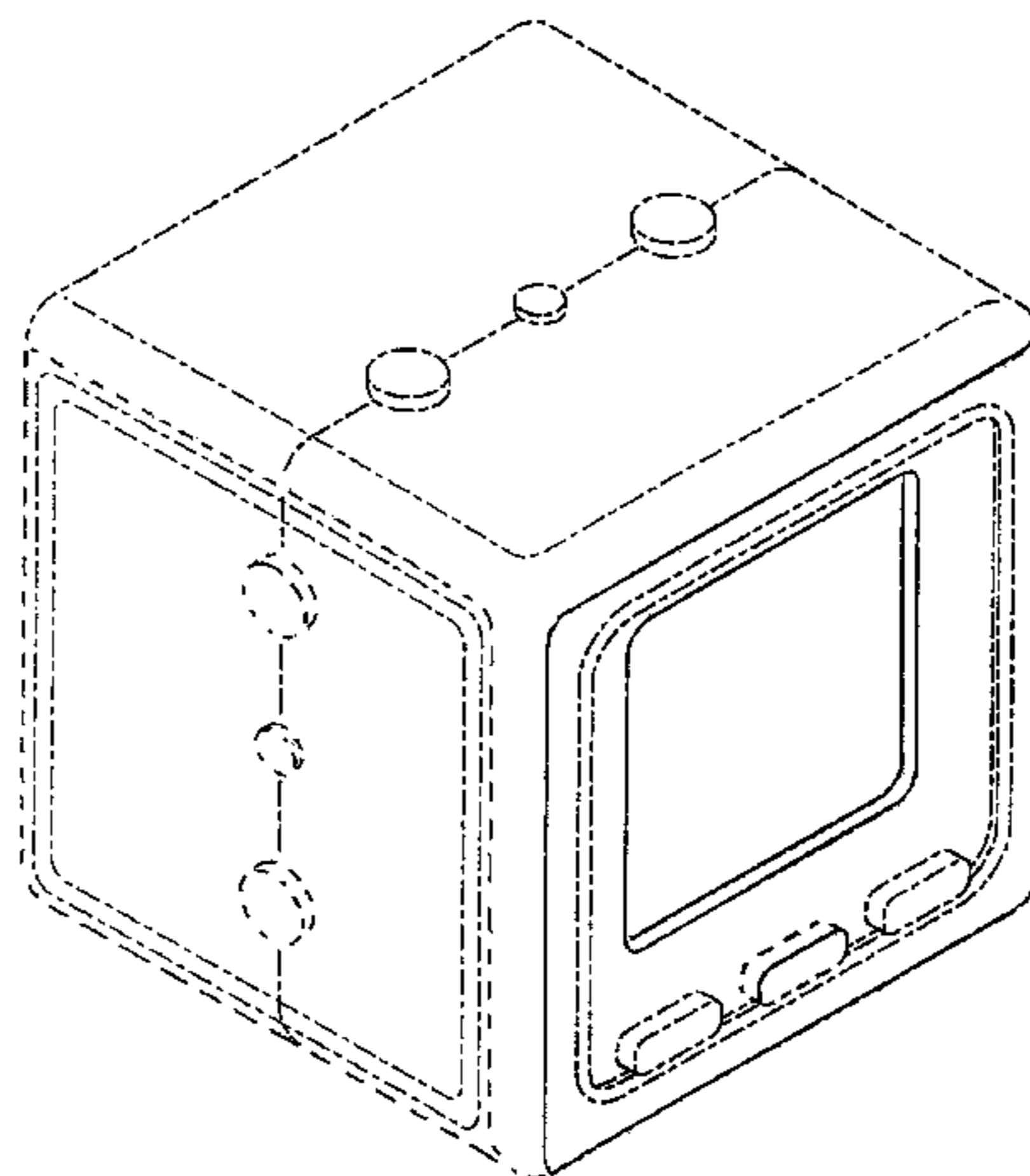
DESCRIPTION

FIG. 1 illustrates a perspective view of a multiply interconnectable environmentally interactive character simulation module showing the front, left and top sides; and,

FIG. 2 illustrates a front view of the multiply interconnectable environmentally interactive character simulation module of FIG. 1.

The broken lines shown in FIGS. 1 and 2 are for illustrative purposes only and form no part of the claimed design.

1 Claim, 2 Drawing Sheets



U.S. PATENT DOCUMENTS

5,971,855 A 10/1999 Ng
 D420,662 S 2/2000 Amron
 6,165,068 A 12/2000 Sonoda et al.
 D439,223 S 3/2001 Sheckler
 6,227,931 B1 5/2001 Shackelford
 6,227,966 B1 5/2001 Yokoi
 6,443,796 B1 9/2002 Shackelford
 6,535,907 B1 3/2003 Hachiya et al.
 6,540,606 B1 4/2003 Matsukata
 6,560,511 B1 5/2003 Yokoo et al.
 6,565,413 B2 5/2003 Brownrigg
 D476,654 S * 7/2003 Zuege et al. D14/371
 6,652,383 B1 11/2003 Sonoda et al.
 6,682,392 B2 1/2004 Chan
 6,752,680 B1 6/2004 Hansen
 6,795,318 B2 9/2004 Haas et al.
 D500,099 S * 12/2004 Gioffre D21/515
 6,931,656 B1 8/2005 Eshelman et al.
 7,008,324 B1 3/2006 Johnson et al.
 D561,275 S * 2/2008 Vitito D21/515
 7,371,177 B2 5/2008 Ellis et al.
 2004/0162136 A1 8/2004 Yamato

2006/0160588 A1 7/2006 Yamada et al.
 2006/0172787 A1 8/2006 Ellis et al.

FOREIGN PATENT DOCUMENTS

EP 0976430 A 2/2000
 EP 1078666 2/2001
 JP 8137417 5/1996
 WO WO 2004/104897 12/2004

OTHER PUBLICATIONS

Kawakami, Naoki., Masahiki Inami, Dairoku Sekiguchi, Yasuyuki Yanagida, Taro Maeda, and Susumu Tachi, "Object/Oriented Displays: A New Type of Display Systems //From Immersive Display to Object/Oriented Displays", from Systems, Man, and Cybernetics, 1999, IEEE SMC '99 Conference.
 Inami, Masahiko, Tachi Laboratory, MEIP Faculty of Engineering, University of Tokyo, "Media 3: The Virtual Hologram", International Conference on Computer Graphics and Interactive Techniques, ACM Siggraph 97 Visual Proceedings: The Art and Interdisciplinary Programs of Siggraph '97.
 "Tamagotchi Connection Instruction Manual", from <http://mimitchi.com/tamaplus/manual.shtml>, copyright Bandai 2004.

* cited by examiner

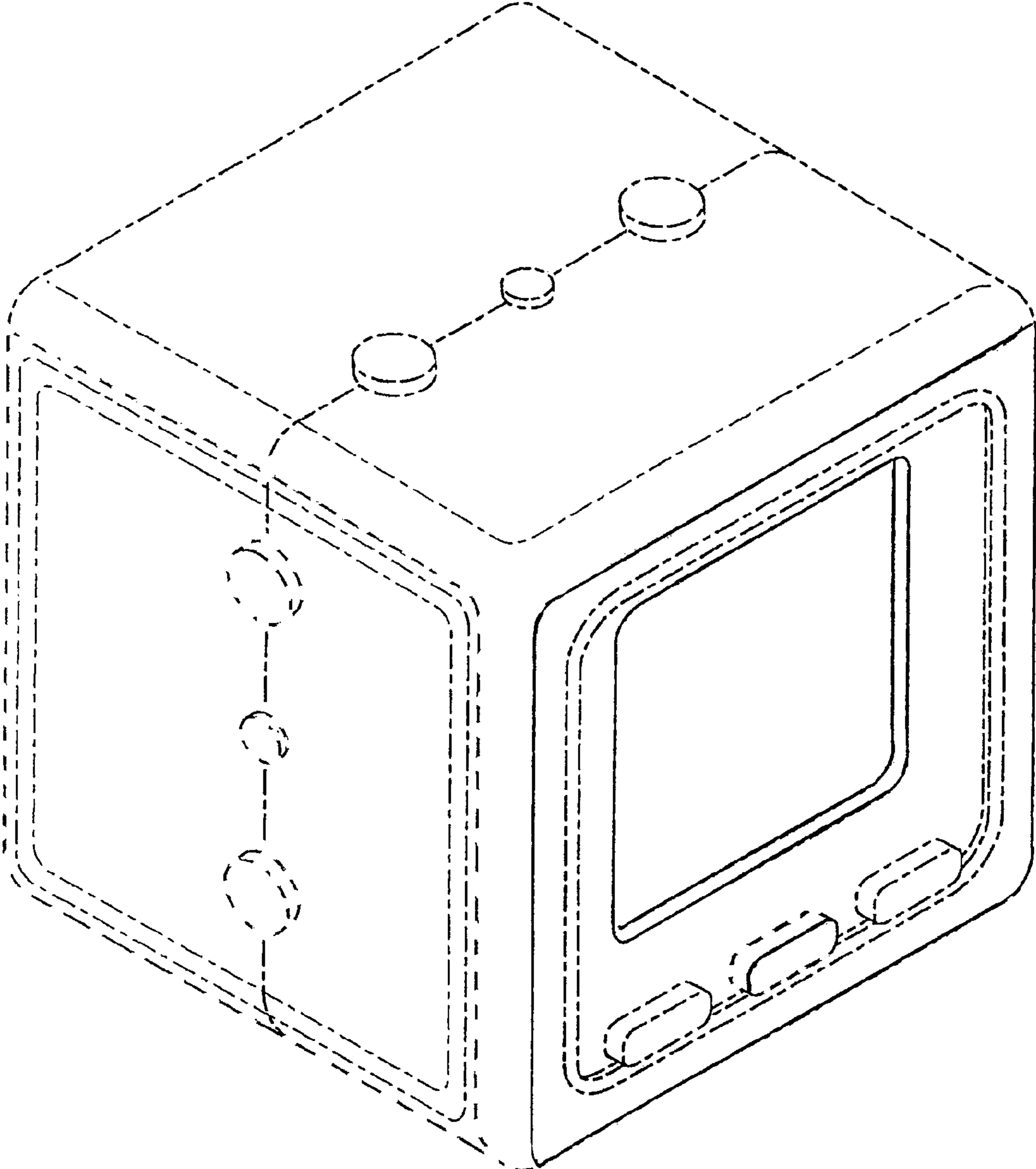


FIG. 1

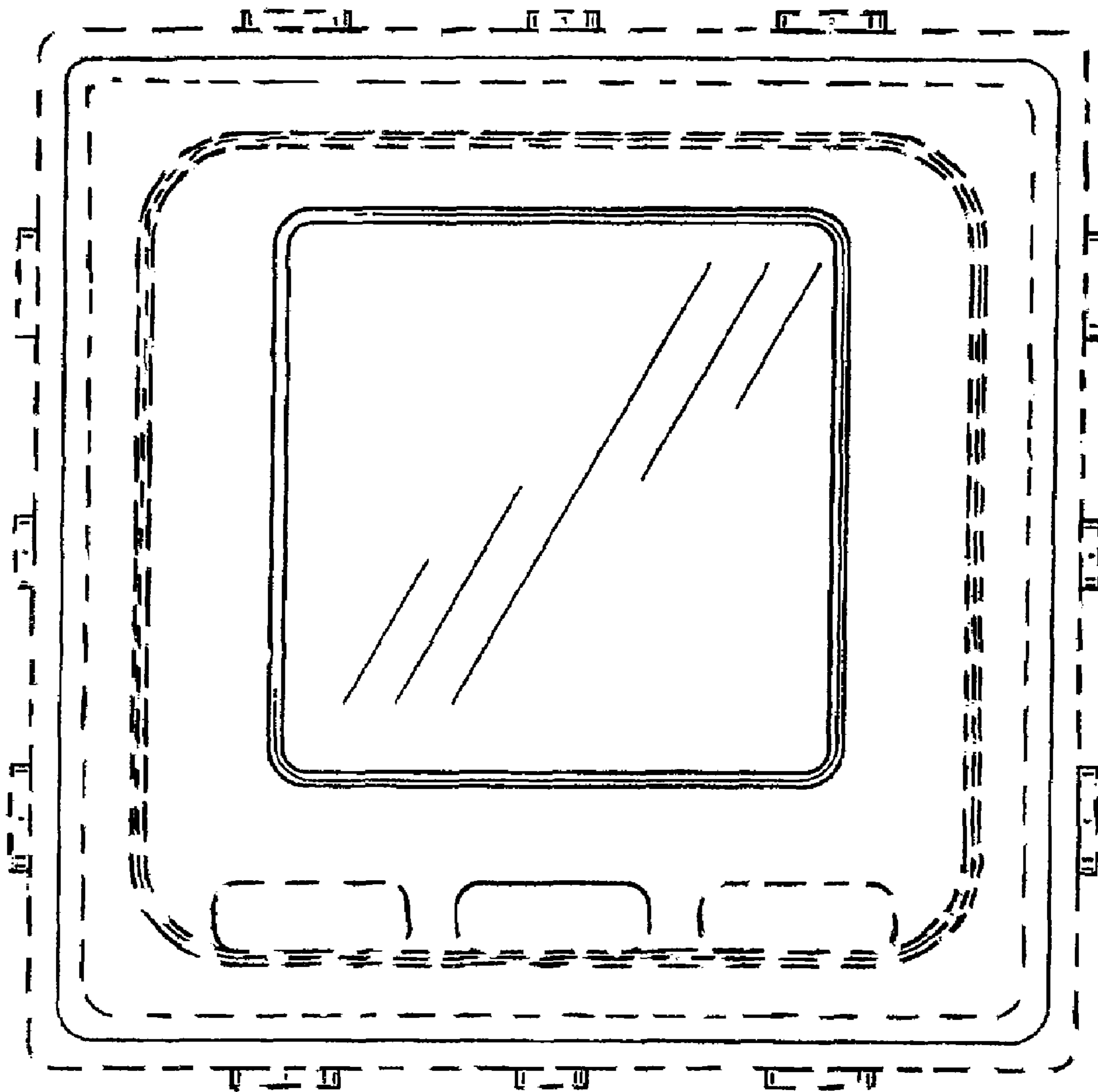


FIG. 2