



US00D585033S

(12) **United States Design Patent**  
**Kaneko**

(10) **Patent No.:** **US D585,033 S**

(45) **Date of Patent:** **\*\* Jan. 20, 2009**

(54) **COLLAPSIBLE DIGITAL ANTENNA WITH TELEVISION**

(75) Inventor: **Takuji Kaneko**, Daito (JP)

(73) Assignee: **Funai Electric Coompany Limited**, Osaka (JP)

(\*\*) Term: **14 Years**

(21) Appl. No.: **29/283,884**

(22) Filed: **Aug. 27, 2007**

(30) **Foreign Application Priority Data**

May 17, 2007 (JP) ..... 2007-013139

(51) **LOC (9) Cl.** ..... **14-03**

(52) **U.S. Cl.** ..... **D14/126; D14/129**

(58) **Field of Classification Search** ..... D14/125-134, D14/239, 371, 136, 374-377, 440, 450, 448, D14/336, 342; 312/7.2; 348/836, 838, 180, 348/184, 325, 739; 341/12; 248/917-924, 248/465; 345/104, 133, 156, 168, 87, 173; 720/605, 669, 600, 655; 369/99, 197; 455/344, 455/347; D21/329, 515, 577, 622, 333, 433, D21/448, 452, 450, 331; D6/477, 479; 273/148 B; 446/484, 175, 356; D10/15, 26  
See application file for complete search history.

(56) **References Cited**

**U.S. PATENT DOCUMENTS**

D494,149 S \* 8/2004 Shih ..... D14/134  
D510,567 S \* 10/2005 Honda ..... D14/126

D512,386 S \* 12/2005 Kita ..... D14/134  
D537,419 S \* 2/2007 McEachern et al. .... D14/126  
D546,299 S \* 7/2007 Honda et al. .... D14/126  
D546,788 S \* 7/2007 Isshiki ..... D14/126  
D553,592 S \* 10/2007 Asanuma ..... D14/134  
D567,201 S \* 4/2008 Profit ..... D14/126  
D570,806 S \* 6/2008 Lee ..... D14/126

\* cited by examiner

*Primary Examiner*—Raphael Barkai

(74) *Attorney, Agent, or Firm*—Sughrue Mion, PLLC

(57) **CLAIM**

The ornamental design for a collapsible digital antenna with television, as shown and described.

**DESCRIPTION**

FIG. 1 is a perspective view of the front and right side of a collapsible digital antenna with television showing my new design;

FIG. 2 is a front elevational view thereof;

FIG. 3 is a rear elevational view thereof;

FIG. 4 is a left side elevational view thereof;

FIG. 5 is a right side elevational view thereof;

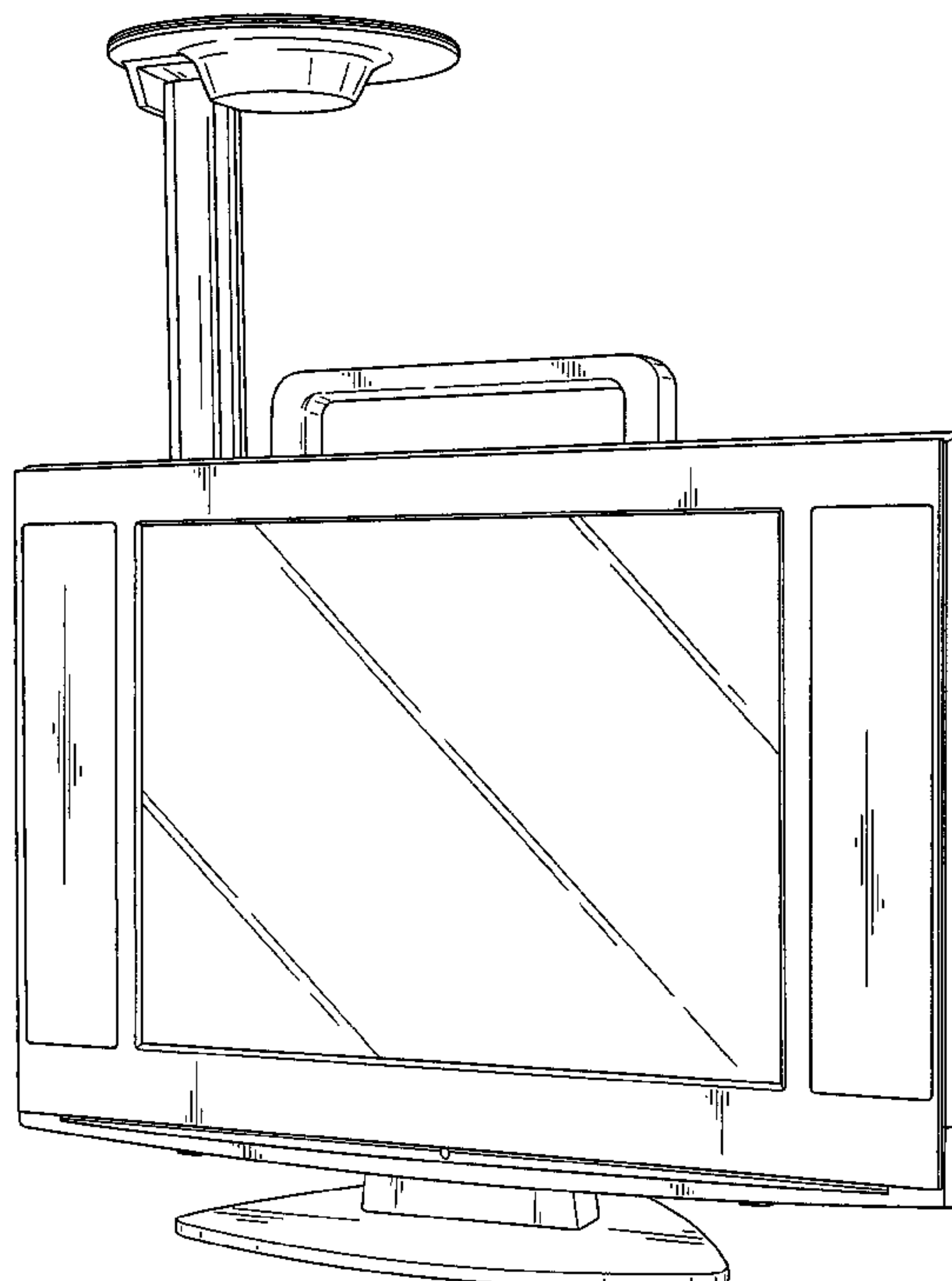
FIG. 6 is a top plan view thereof;

FIG. 7 is a bottom plan view thereof; and,

FIG. 8 is a rear perspective view thereof showing the antenna in a collapsed position.

The portions shown in broken lines are for illustrative purposes only and form no part of the claimed design.

**1 Claim, 6 Drawing Sheets**



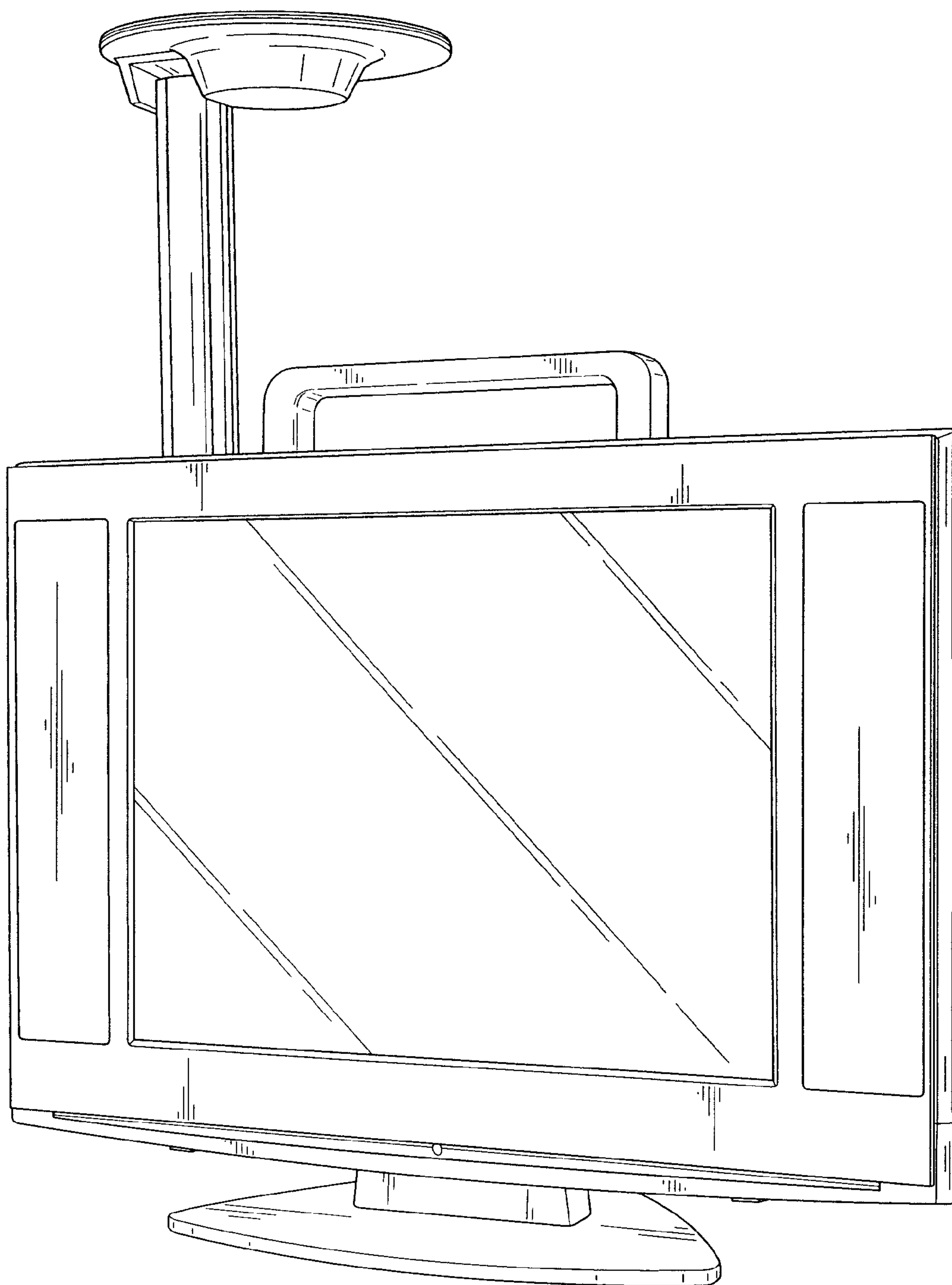
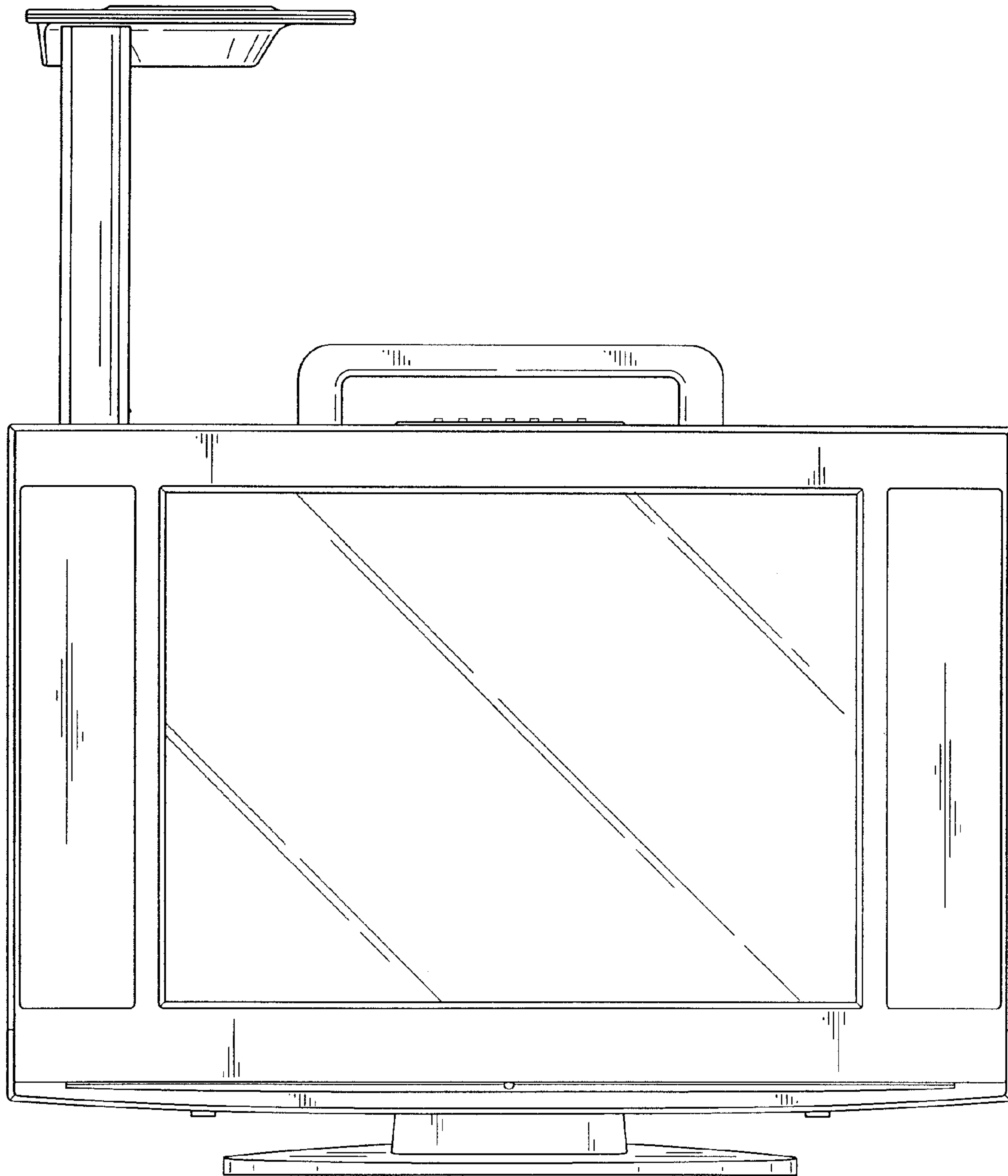


FIG. 1



*FIG. 2*

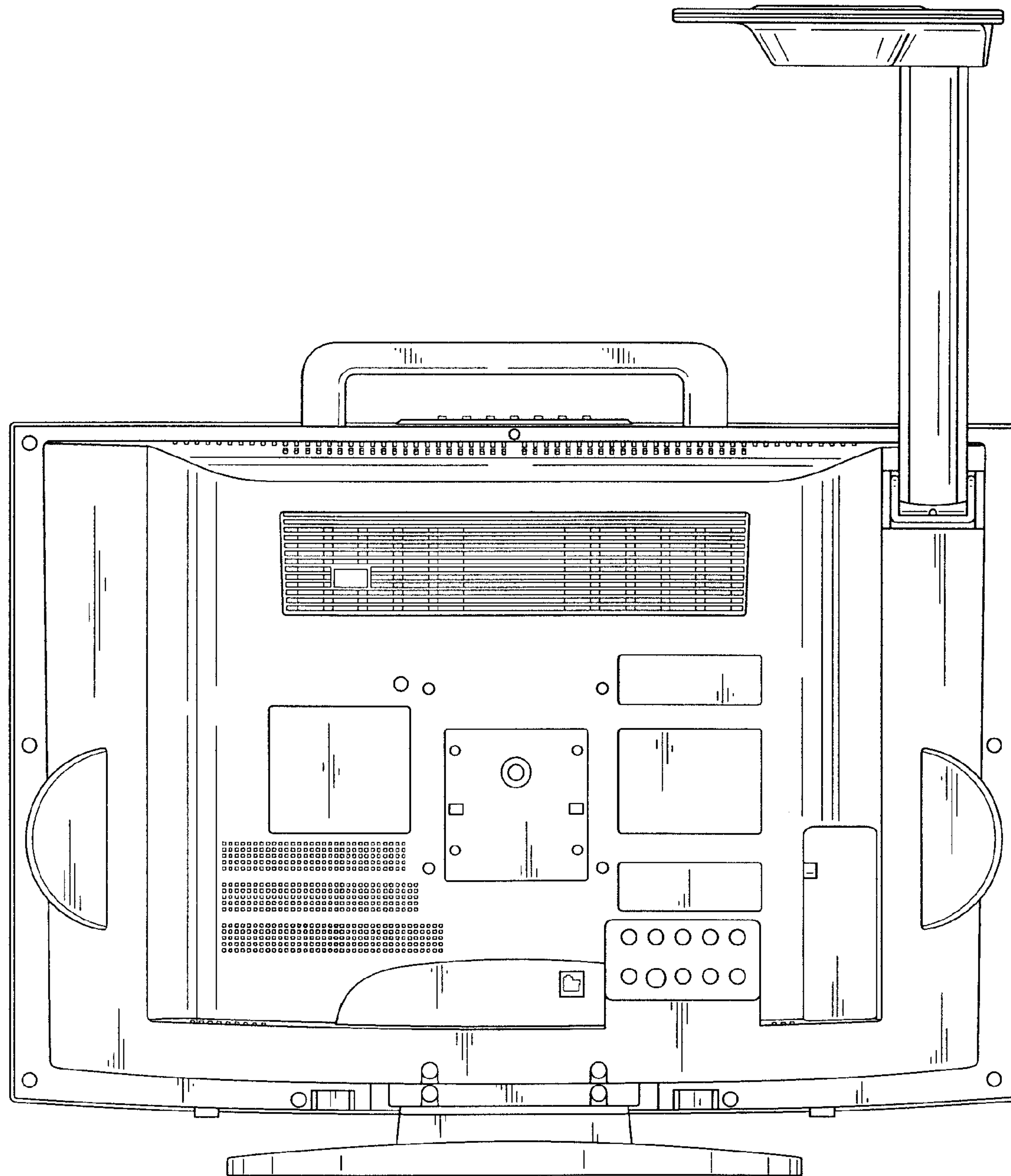


FIG. 3

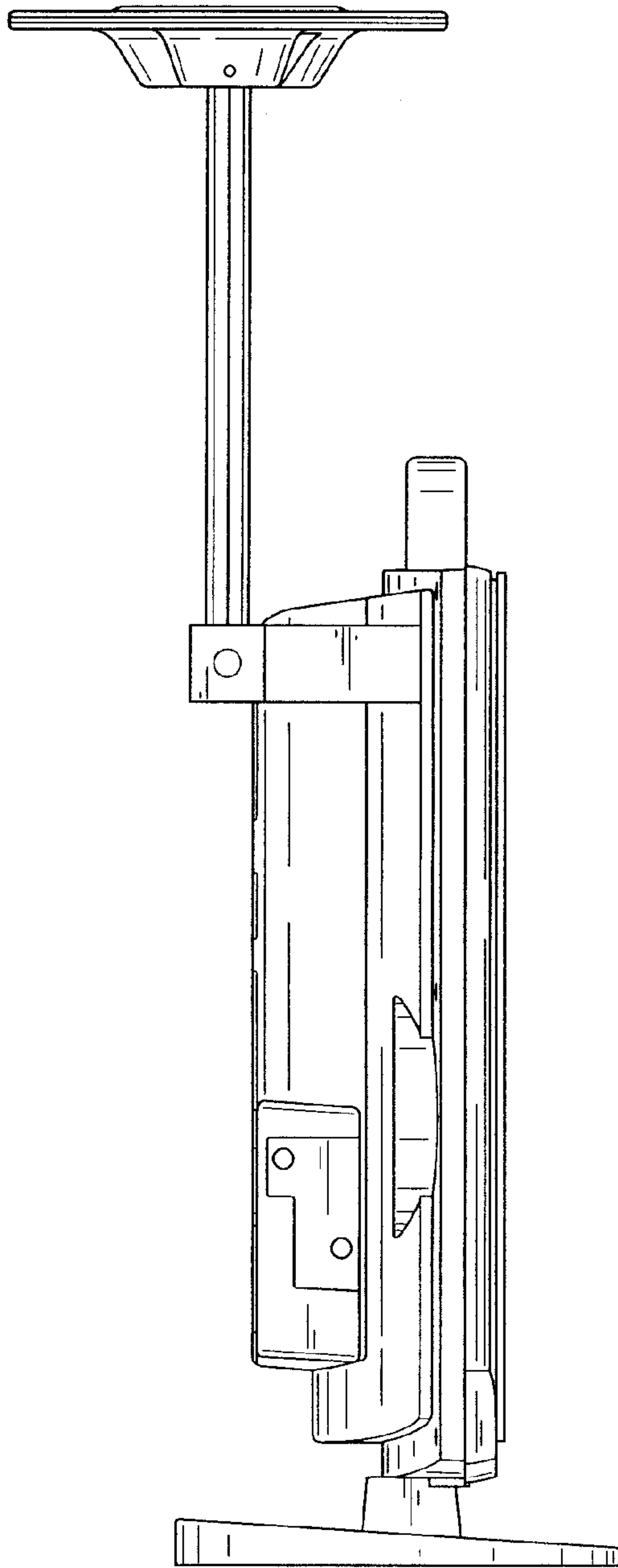


FIG. 4

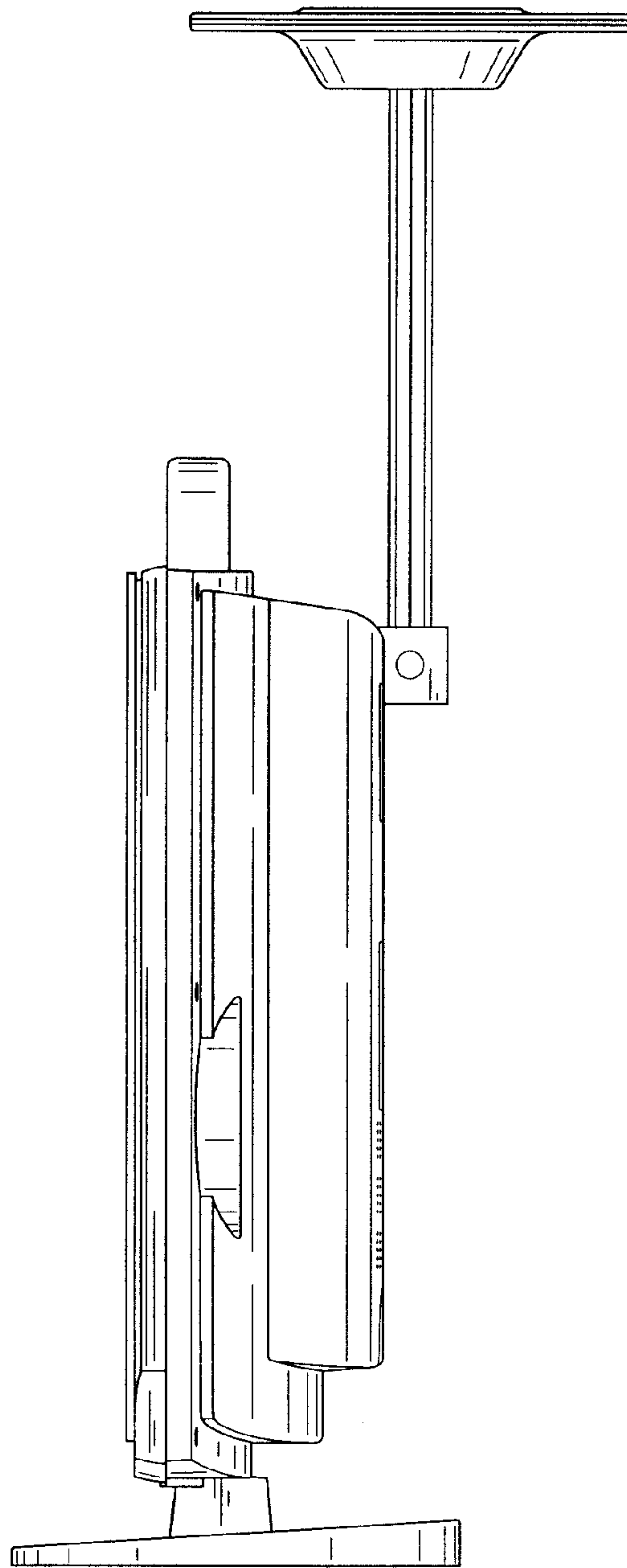


FIG. 5



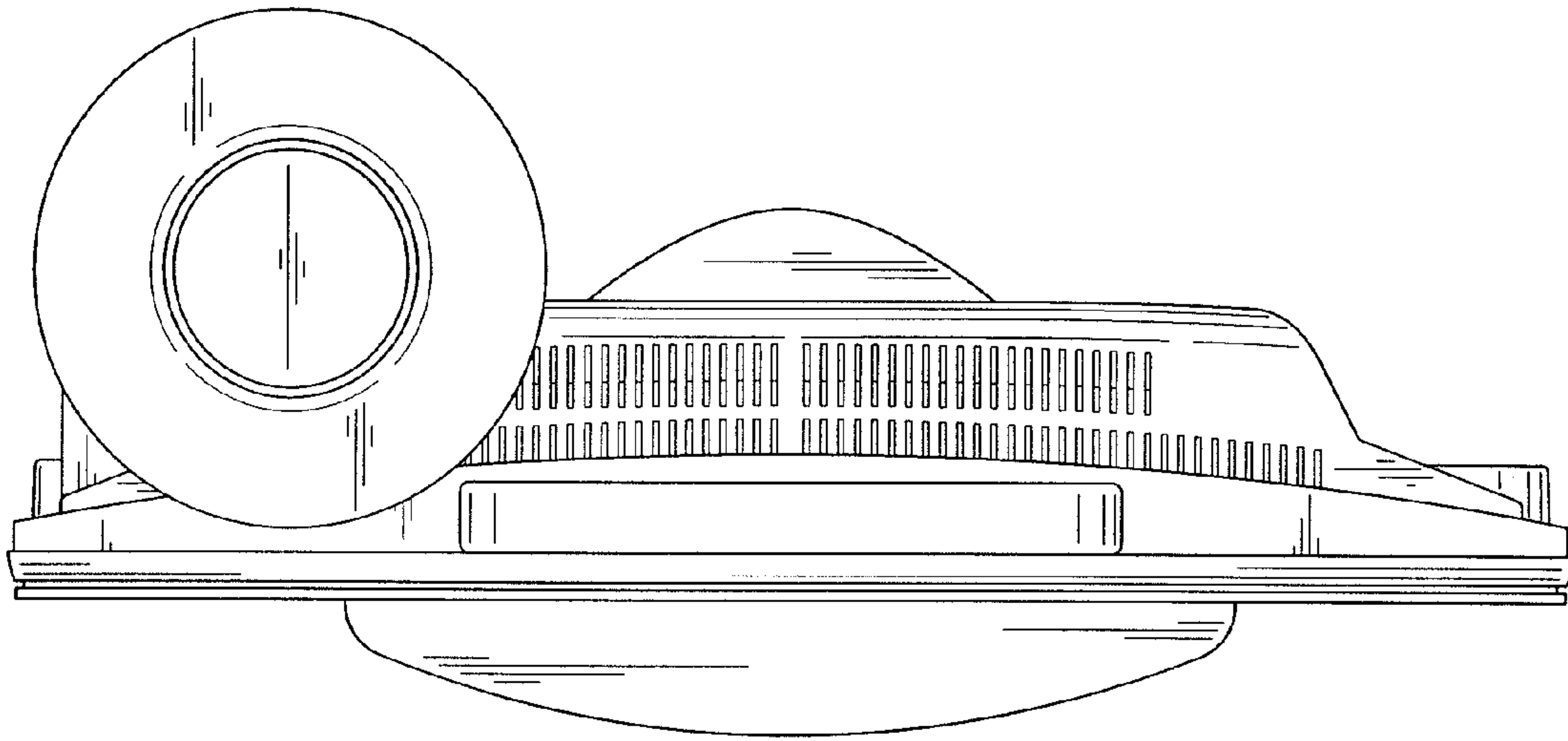


FIG. 6

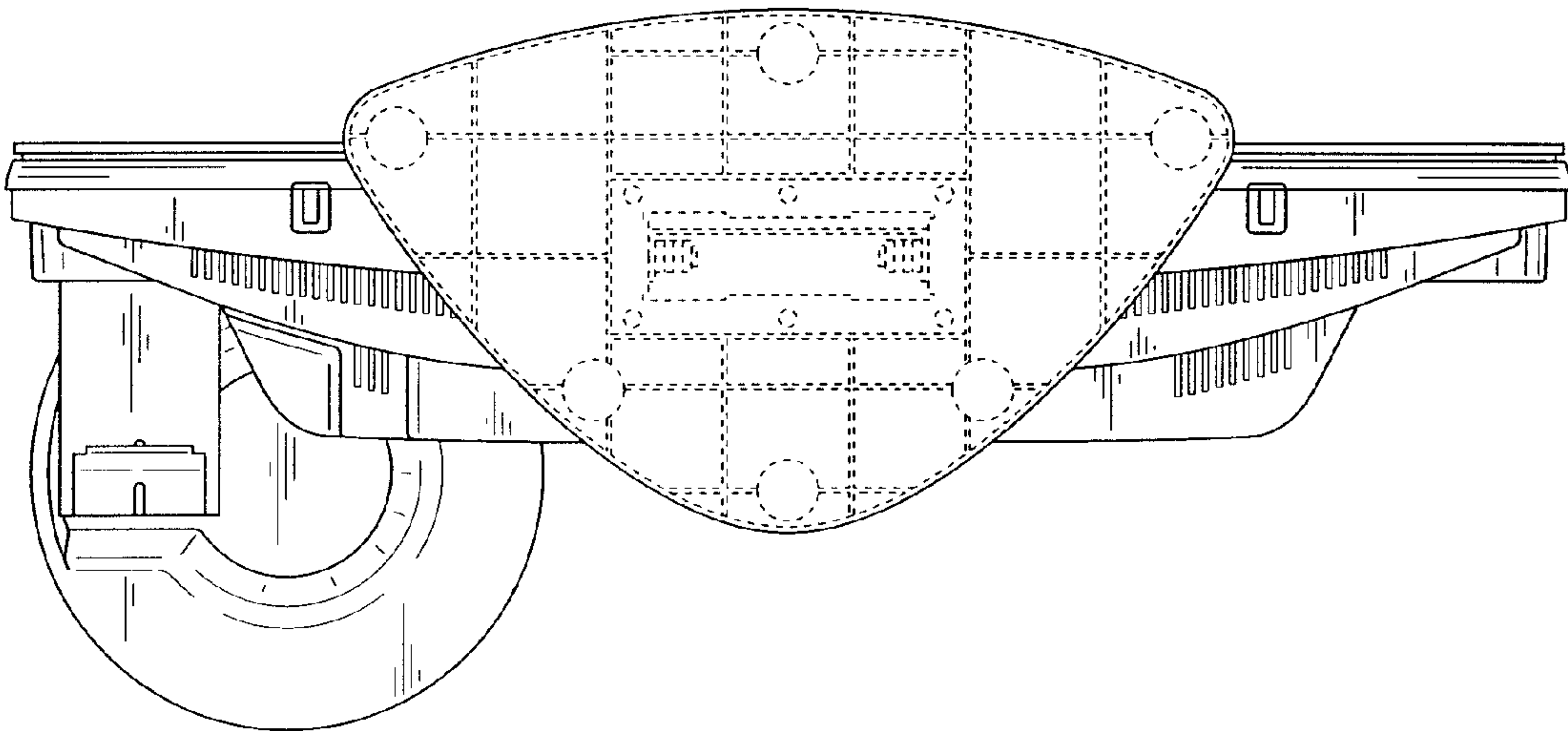


FIG. 7

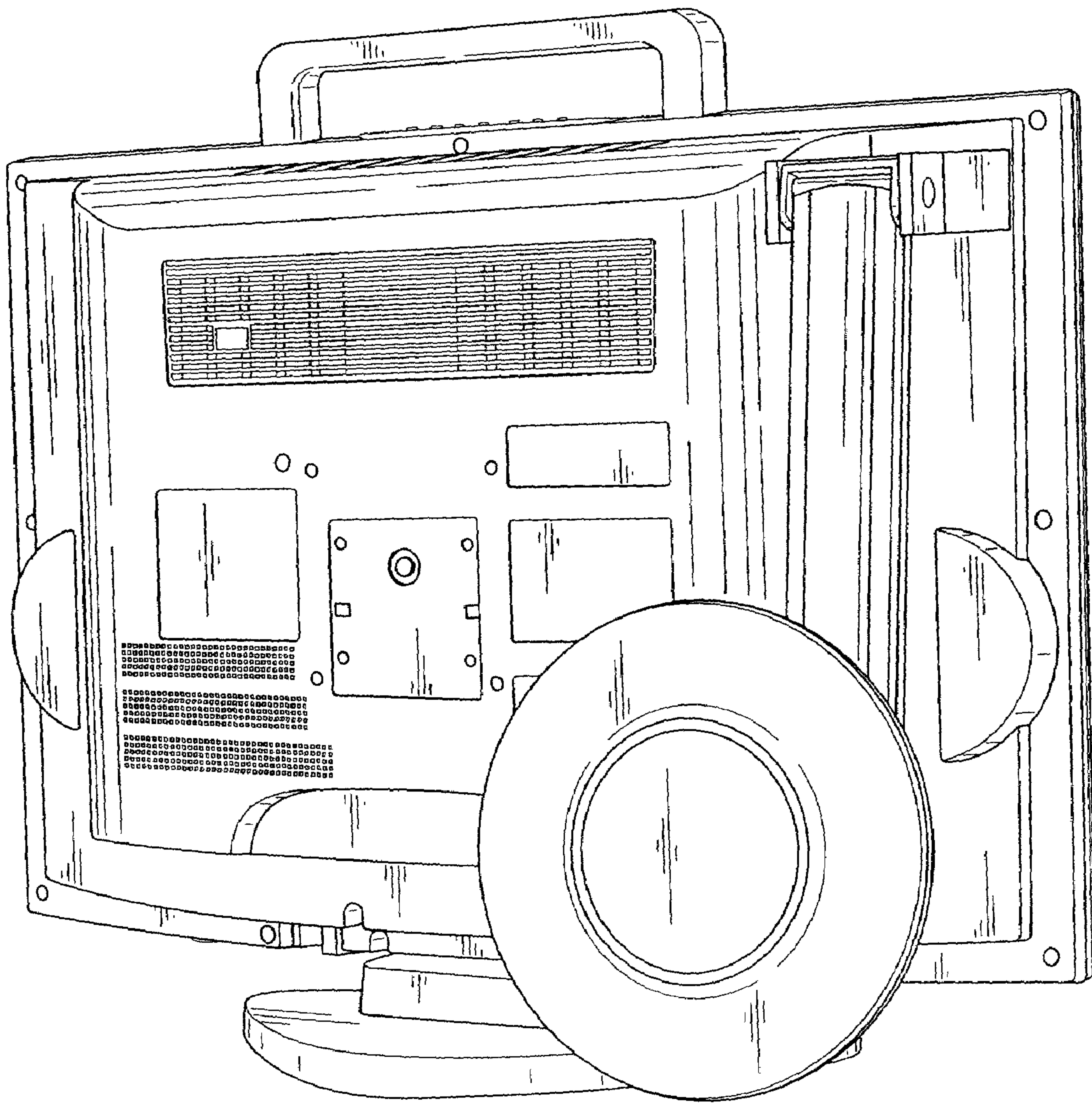


FIG. 8