



US00D585030S

(12) **United States Design Patent**  
**Kudo**

(10) **Patent No.:** **US D585,030 S**  
(45) **Date of Patent:** **\*\* Jan. 20, 2009**

(54) **ELECTRICAL CONNECTOR HOUSING**

(75) Inventor: **Tsutomu Kudo**, Tsukuba (JP)

(73) Assignee: **Tyco Electronics AMP K.K.**,  
Kanagawa-ken (JP)

(\*\*) Term: **14 Years**

(21) Appl. No.: **29/302,565**

(22) Filed: **Jan. 18, 2008**

6,863,549	B2	3/2005	Brunker et al.
D511,496	S	11/2005	Riku
D512,022	S	11/2005	Riku
D514,521	S	2/2006	Riku
D517,014	S	3/2006	Riku
D517,015	S	3/2006	Riku
D517,486	S	3/2006	Riku
D517,487	S	3/2006	Riku
D517,488	S	3/2006	Riku
D517,991	S	3/2006	Riku
D517,992	S	3/2006	Riku
D518,438	S	4/2006	Riku
D518,784	S	4/2006	Riku

**Related U.S. Application Data**

(62) Division of application No. 29/258,741, filed on Apr. 26, 2006, now Pat. No. Des. 564,454.

**Foreign Application Priority Data**

Oct. 28, 2005 (JP) ..... 2005-031696

(51) **LOC (9) Cl.** ..... **13-03**

(52) **U.S. Cl.** ..... **D13/147; D13/146; D13/133**

(58) **Field of Classification Search** ..... D13/123,  
D13/133, 146-147, 154, 184, 199; 439/79,  
439/108, 278, 374, 377, 540.1, 541.5, 660,  
439/607-610, 682, 884, 894

See application file for complete search history.

(56) **References Cited**

**U.S. PATENT DOCUMENTS**

D311,517	S	10/1990	Kameyama et al.
D316,703	S	5/1991	Eto et al.
5,645,436	A	7/1997	Shimizu et al.
D410,629	S	6/1999	Bandura et al.
D426,194	S	6/2000	Ko et al.
D459,704	S	7/2002	Chen
D463,370	S	9/2002	Chen
D463,776	S	10/2002	Chen
6,572,411	B1	6/2003	Aeschbacher et al.
6,666,727	B2	12/2003	Kunno et al.

(Continued)

*Primary Examiner*—Daniel D Bui

(57) **CLAIM**

The ornamental design for an electrical connector housing, as shown and described.

**DESCRIPTION**

FIG. 1 is a front elevation view of an electrical connector housing, showing my new design;

FIG. 2 is a top plan view thereof;

FIG. 3 is a bottom plan view thereof;

FIG. 4 is a right side elevation view thereof;

FIG. 5 is a left side elevation view thereof;

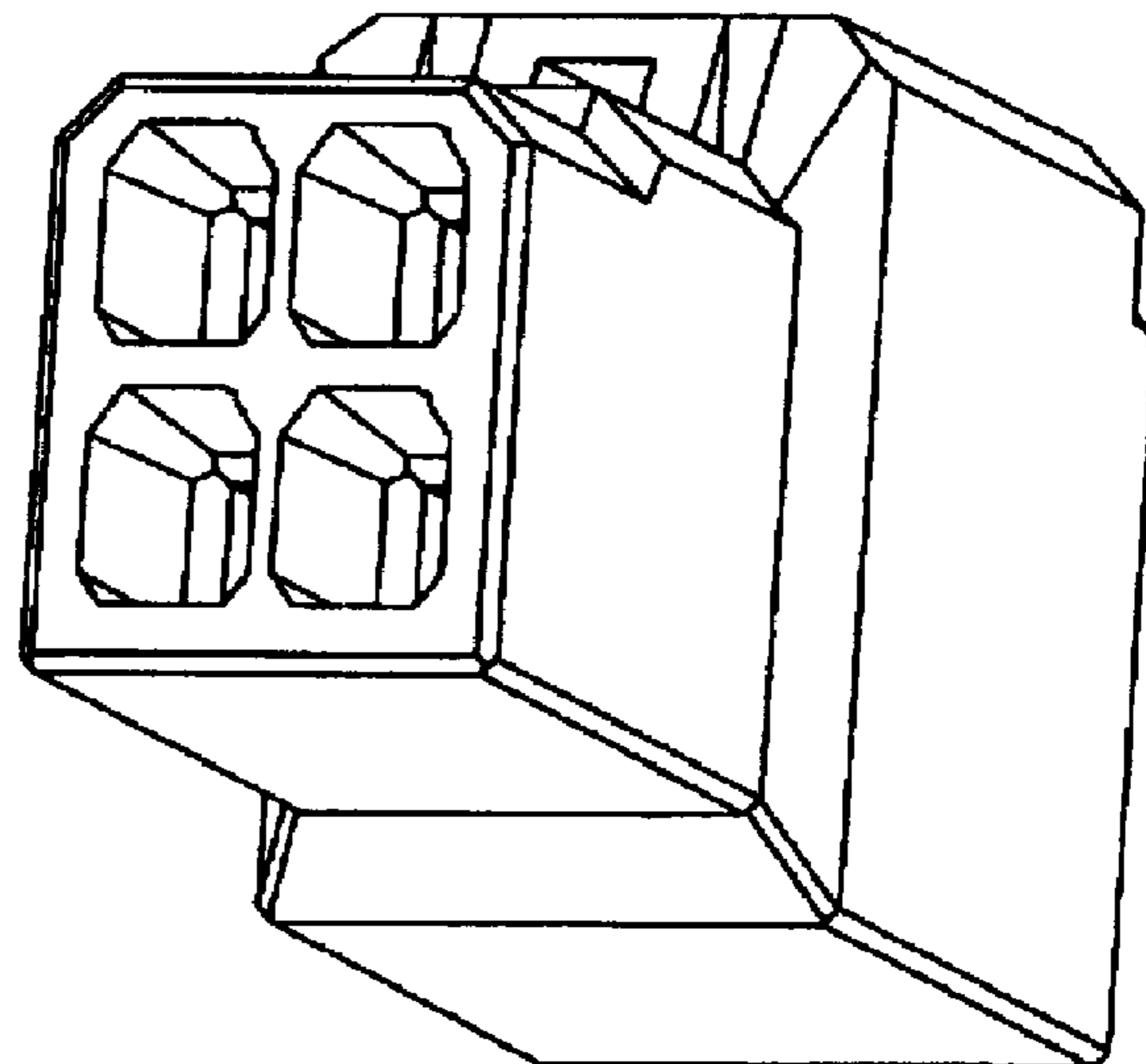
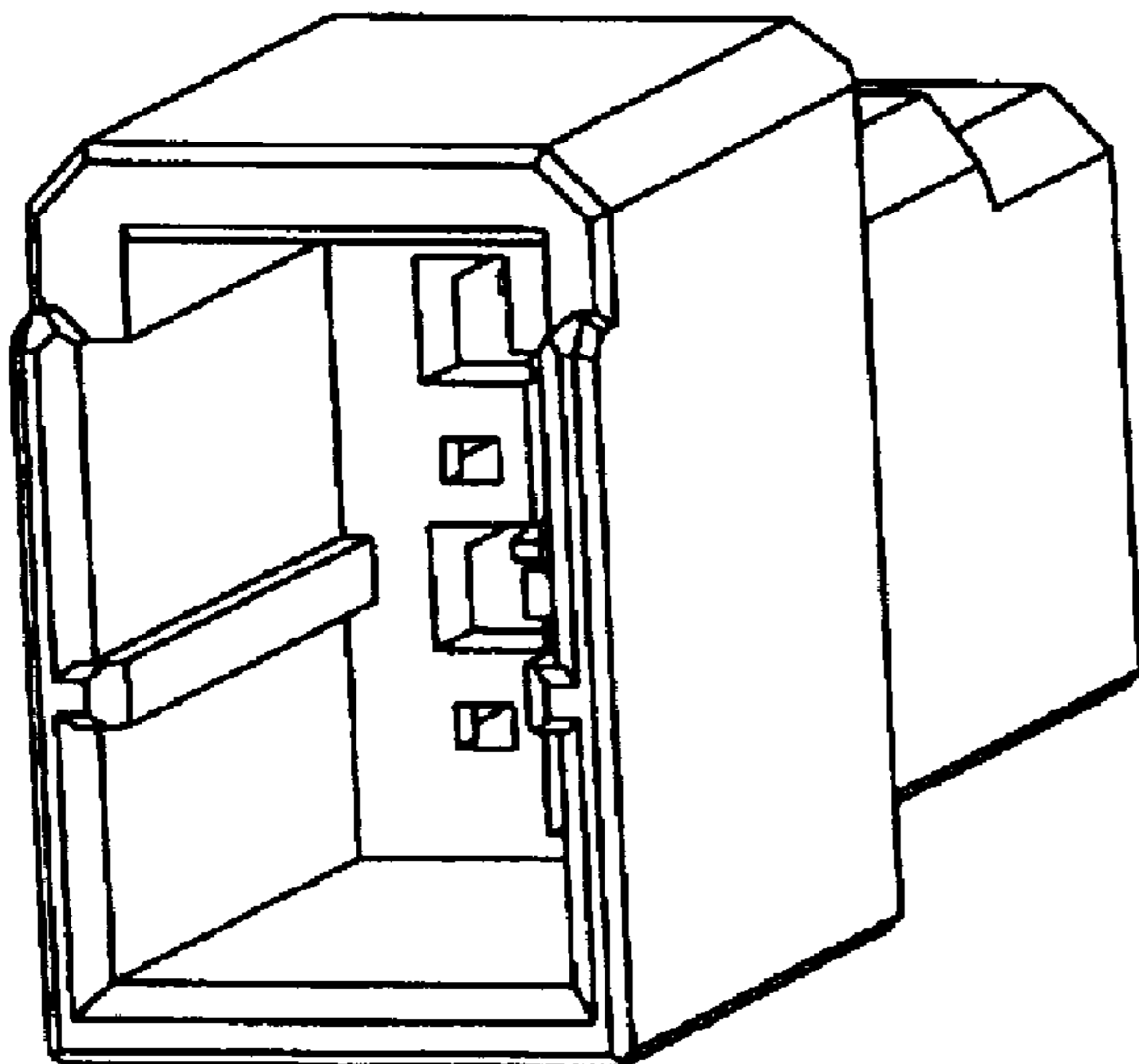
FIG. 6 is a rear elevation view thereof;

FIG. 7 is a top, front and right side perspective view thereof; and,

FIG. 8 is a bottom, rear and left side perspective view thereof.

The broken lines of the internal elements of the connector in FIGS. 1 and 6 are included to show unclaimed subject matter only and form no part of the claimed design.

**1 Claim, 6 Drawing Sheets**



# US D585,030 S

Page 2

---

## U.S. PATENT DOCUMENTS

D518,785 S	4/2006	Riku	D525,941 S	8/2006	Kudo
D518,786 S	4/2006	Riku	D529,444 S	10/2006	Kudo
D519,460 S	4/2006	Riku	D537,788 S	3/2007	Kudo
D519,462 S	4/2006	Kudo	D538,230 S	3/2007	Kudo
D520,454 S	5/2006	Kudo	D538,231 S	3/2007	Kudo
D520,956 S	5/2006	Kudo	D542,736 S	5/2007	Riku
D523,399 S	6/2006	Sakamaki et al.	D550,628 S	9/2007	Whiteman, Jr. et al.
D524,751 S	7/2006	Lee et al.	D552,556 S	10/2007	Sakamoto
D524,755 S	7/2006	Kudo	D552,557 S	10/2007	Sakamoto
			2007/0197063 A1	8/2007	Ngo et al.

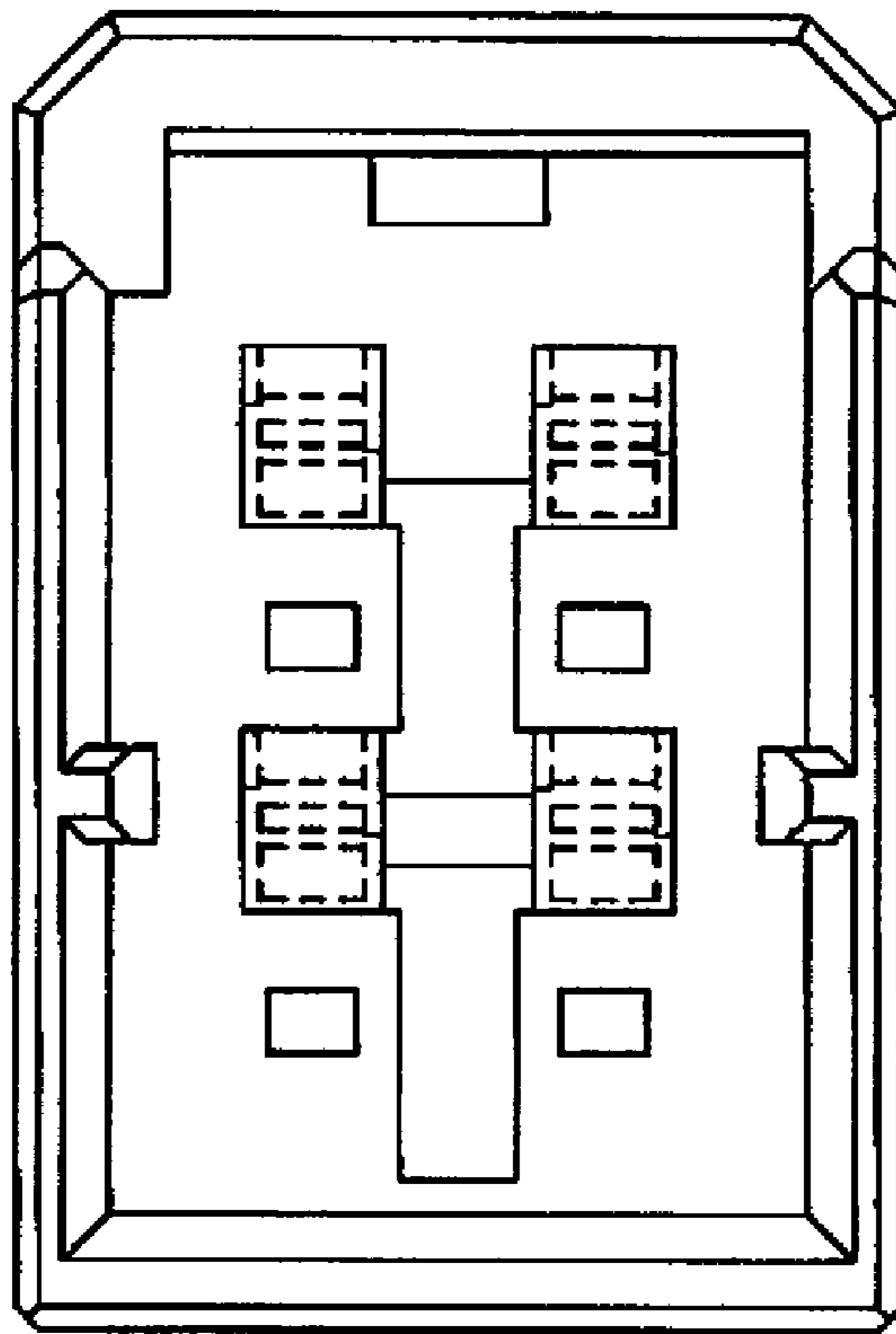


Figure 1

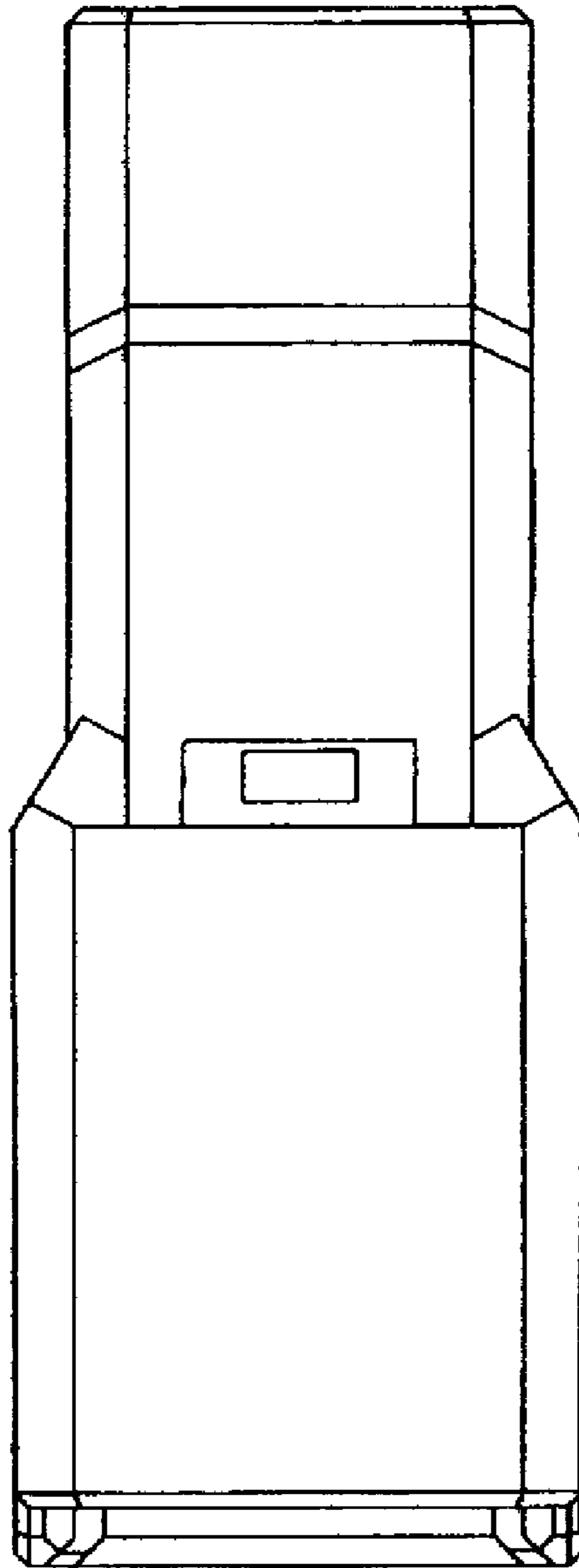


Figure 2

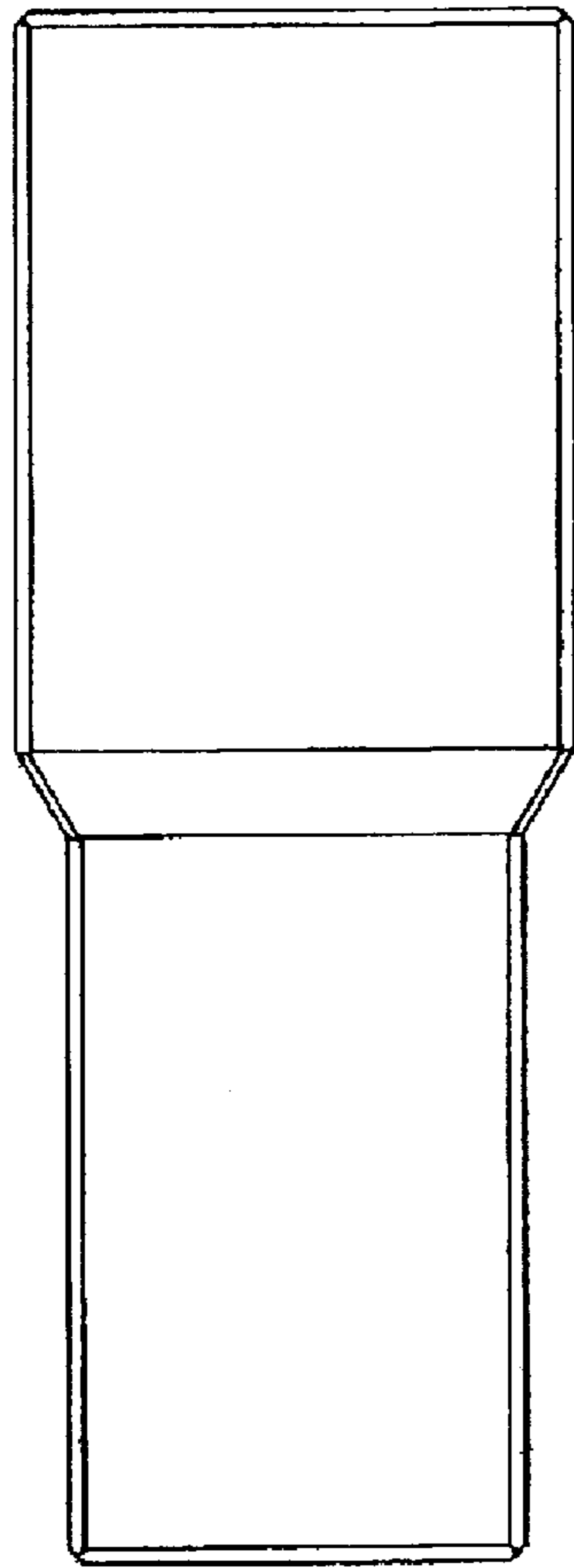


Figure 3

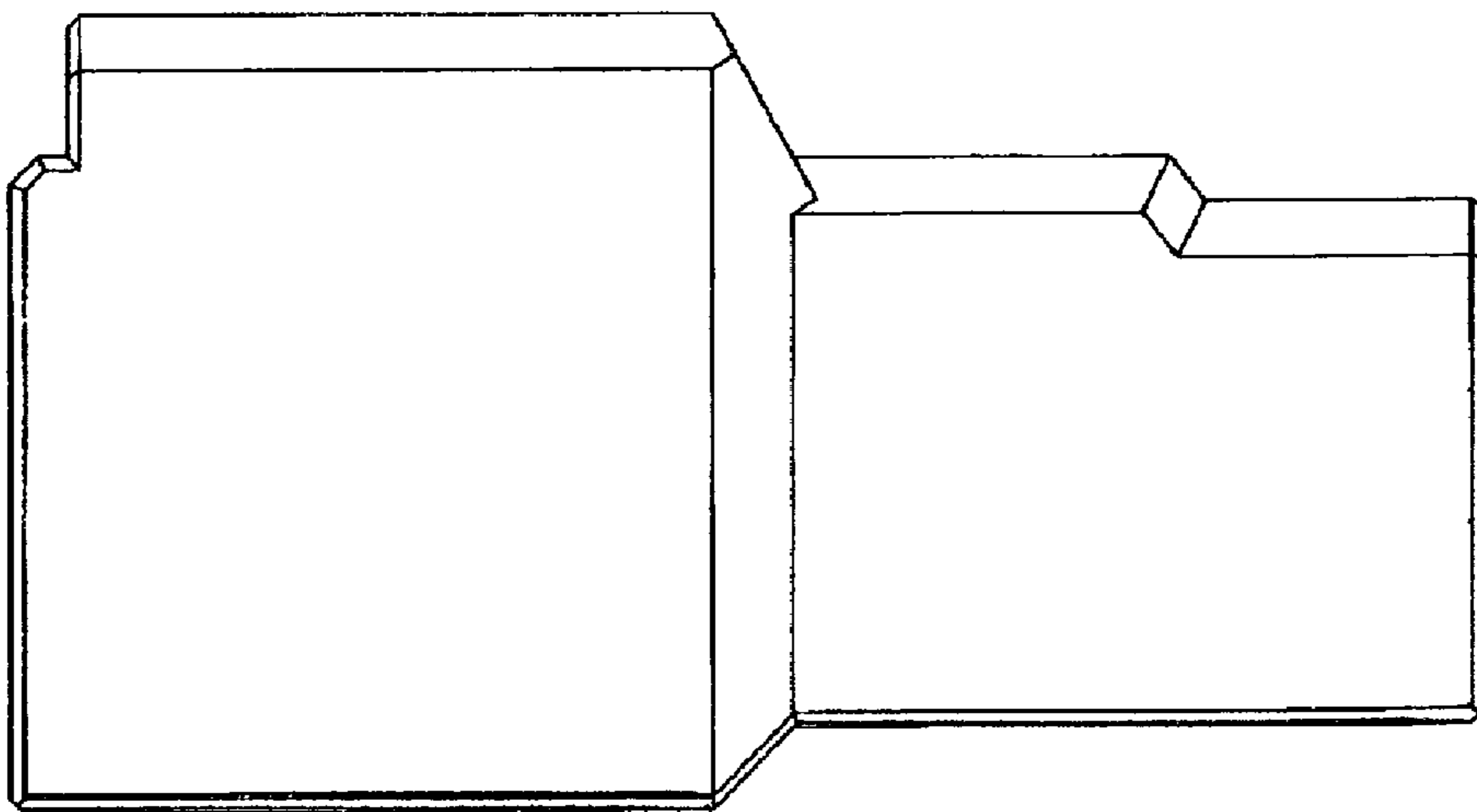


Figure 4

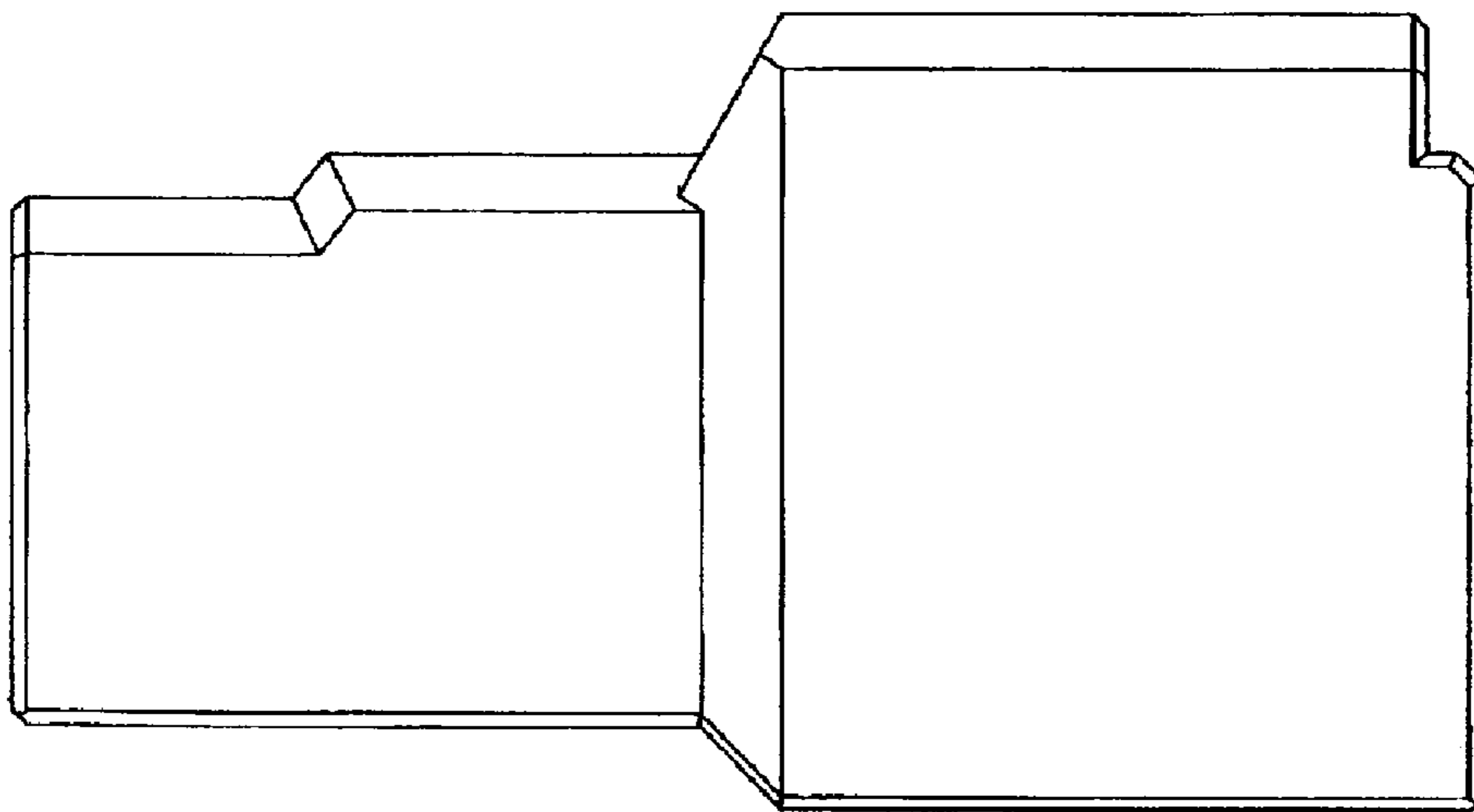


Figure 5

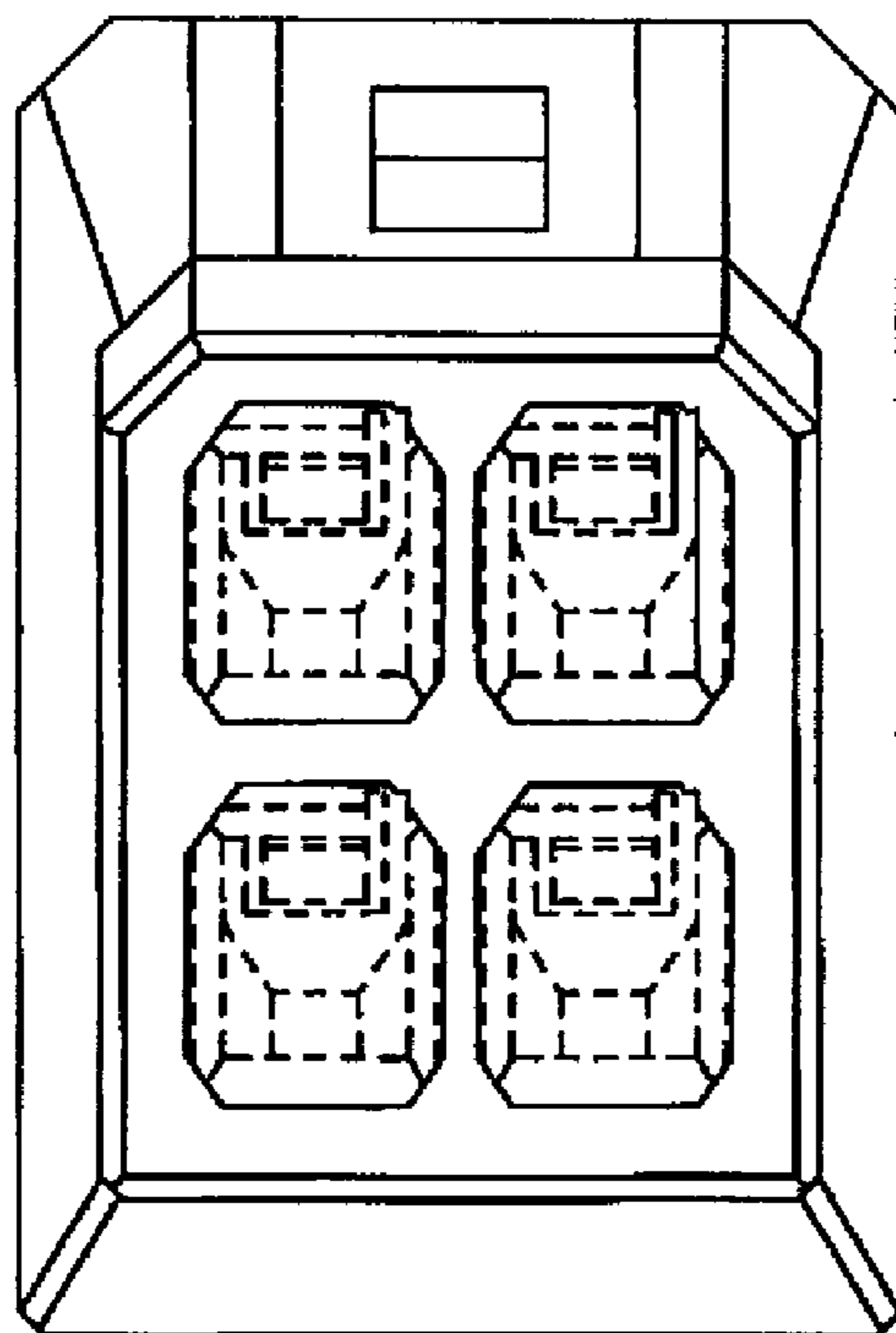


Figure 6

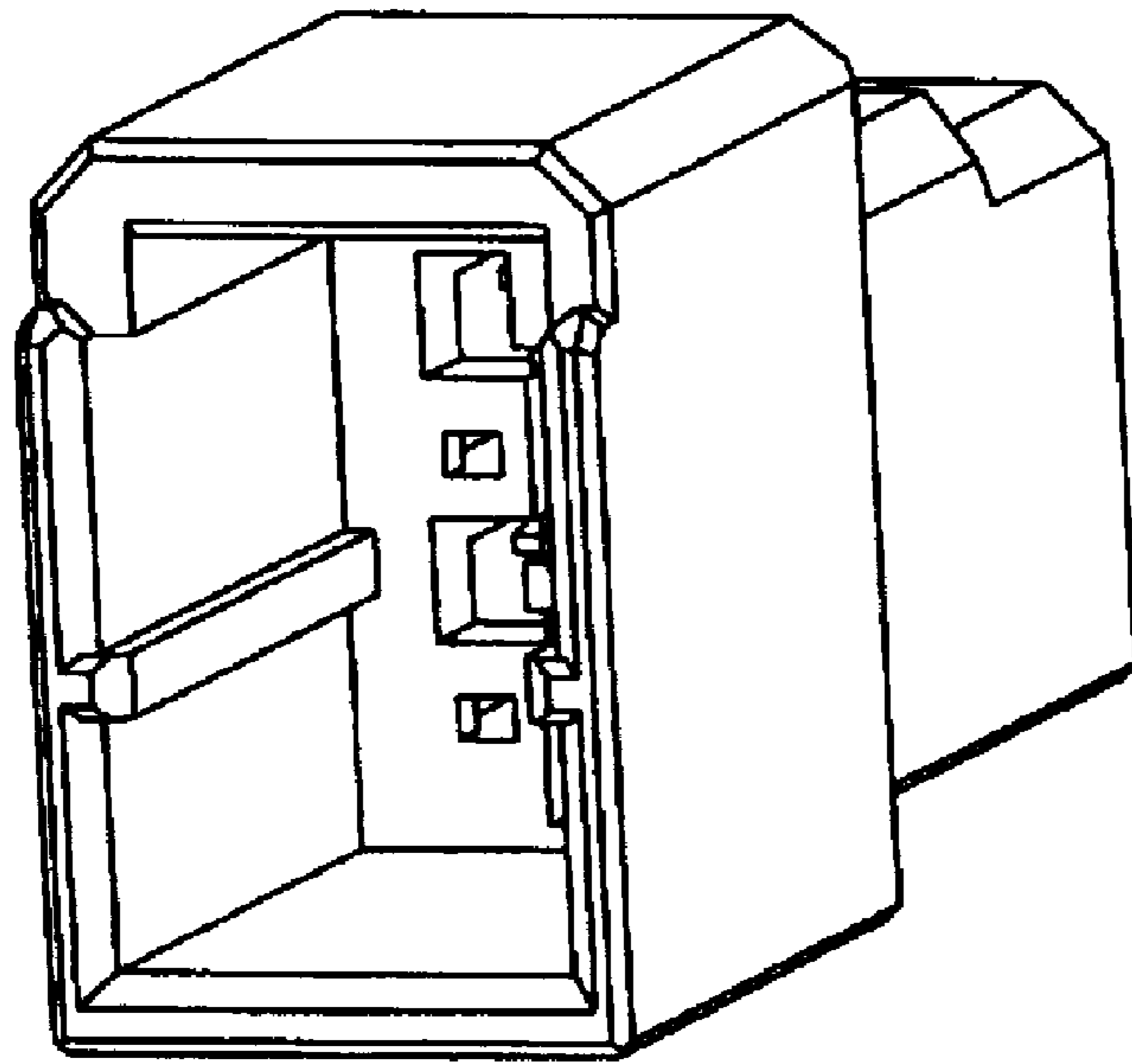


Figure 7

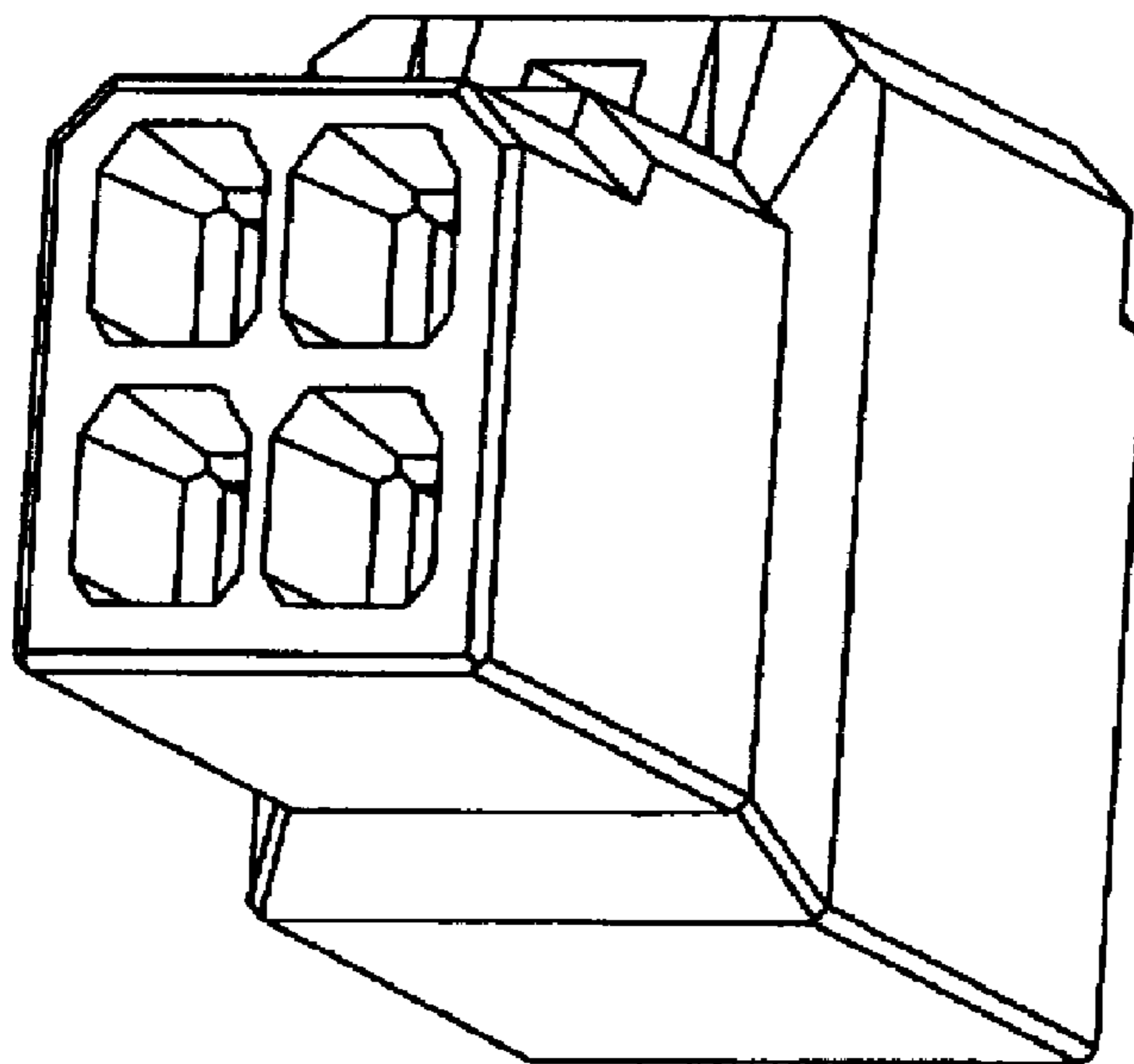


Figure 8