



US00D585028S

(12) **United States Design Patent**
Hung et al.

(10) **Patent No.:** **US D585,028 S**
(45) **Date of Patent:** **** Jan. 20, 2009**

(54) **CONNECTOR**

(75) Inventors: **Pei Chiao Hung**, Tu-Cheng (TW);
Chung Hsin Huang, Tu-Cheng (TW)

(73) Assignee: **Cheng Uei Precision Industry Co., Ltd.**, Taipei Hsien (TW)

(**) Term: **14 Years**

(21) Appl. No.: **29/287,985**

(22) Filed: **Oct. 9, 2007**

(51) **LOC (9) Cl.** **13-03**

(52) **U.S. Cl.** **D13/147**

(58) **Field of Classification Search** D13/146-147,
D13/154, 184; 439/79, 108, 607-610, 660,
439/668, 680

See application file for complete search history.

(56) **References Cited**

U.S. PATENT DOCUMENTS

6,257,914 B1 * 7/2001 Comerci et al. 439/357
D463,372 S * 9/2002 Sato et al. D13/147
D481,359 S * 10/2003 Kuroki et al. D13/147
D485,240 S * 1/2004 Kuroki et al. D13/147

6,830,469 B1 * 12/2004 Doyle et al. 439/247
2001/0004564 A1 * 6/2001 Takagi 439/378

* cited by examiner

Primary Examiner—Daniel D Bui

(74) *Attorney, Agent, or Firm*—Rosenberg, Klein & Lee

(57) **CLAIM**

The ornamental design for a connector, as shown and described.

DESCRIPTION

FIG. 1 is a perspective view of a connector showing our new design;

FIG. 2 is a front elevational view thereof;

FIG. 3 is a rear elevational view thereof;

FIG. 4 is a left side elevational view thereof;

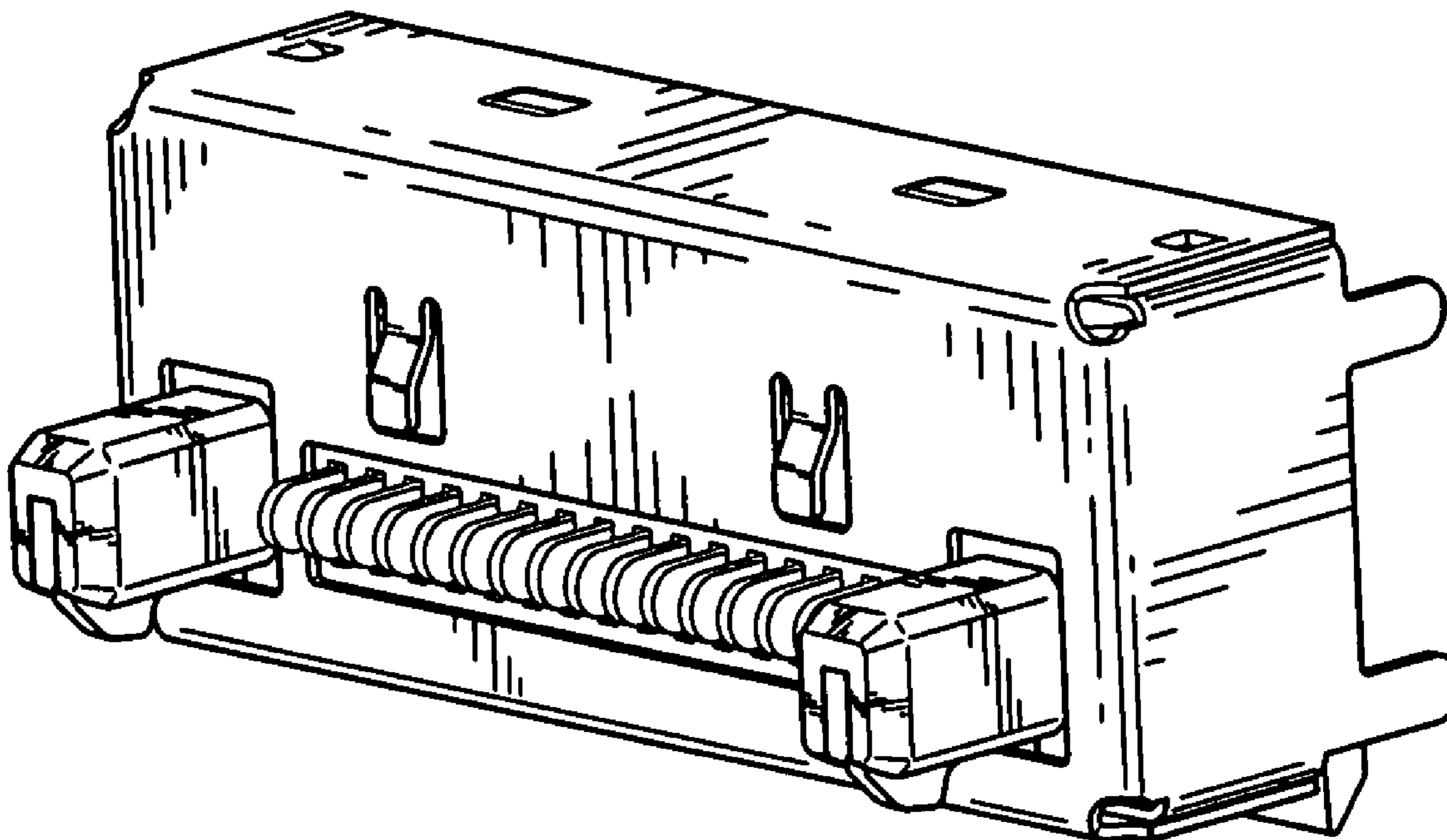
FIG. 5 is a right side elevational view thereof;

FIG. 6 is a top plan view thereof;

FIG. 7 is a bottom plan view thereof; and,

FIG. 8 is another perspective view thereof.

1 Claim, 8 Drawing Sheets



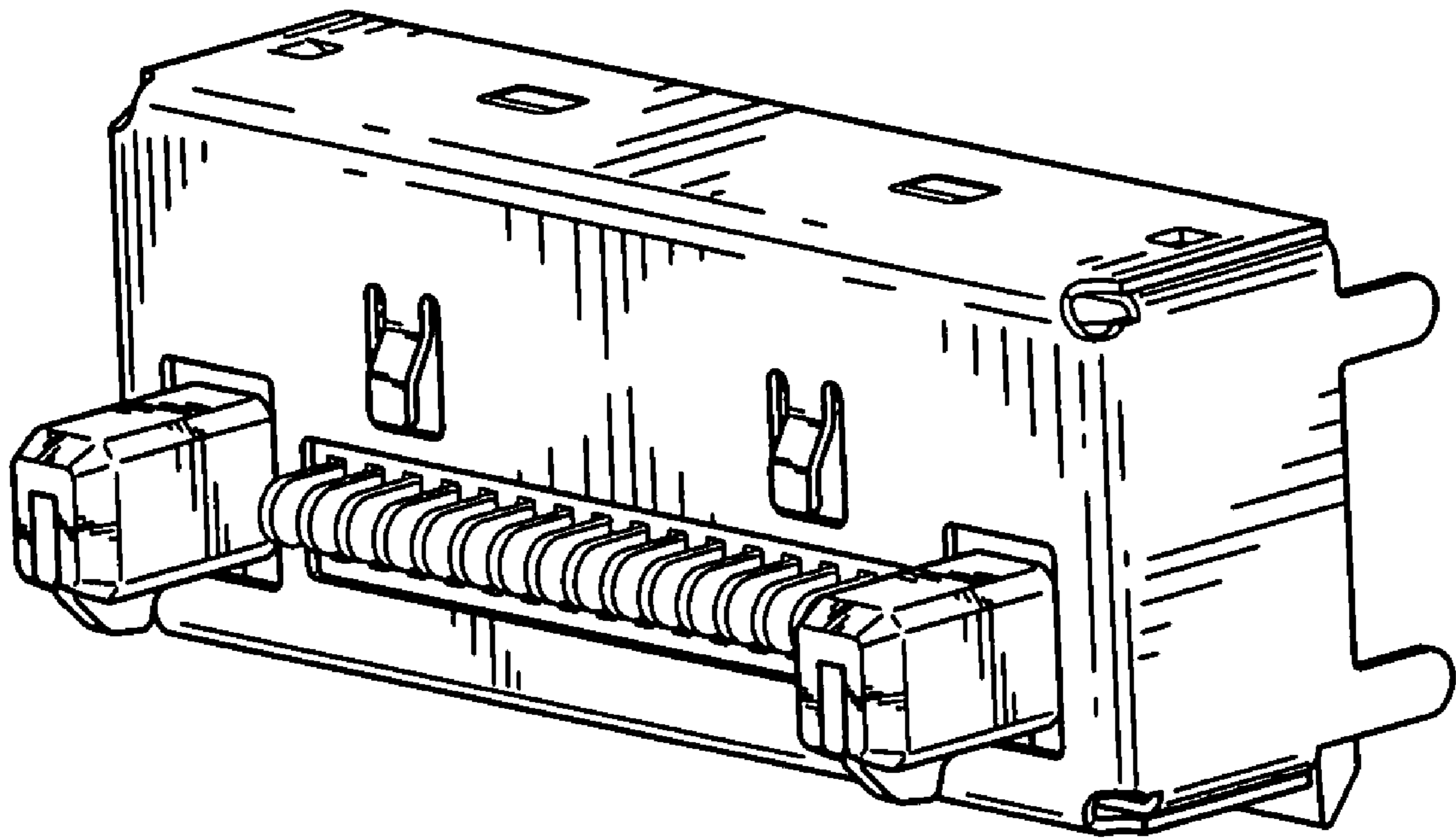


FIG. 1

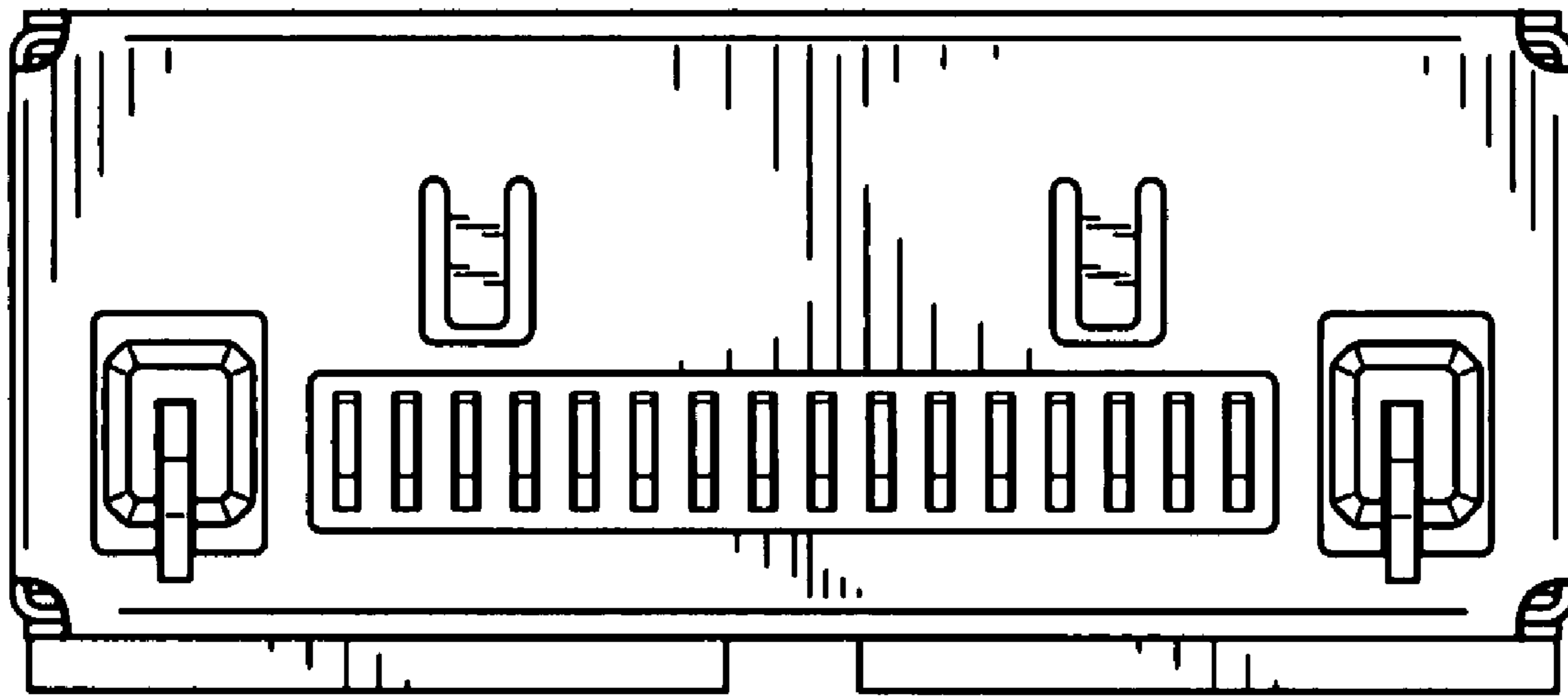


FIG. 2

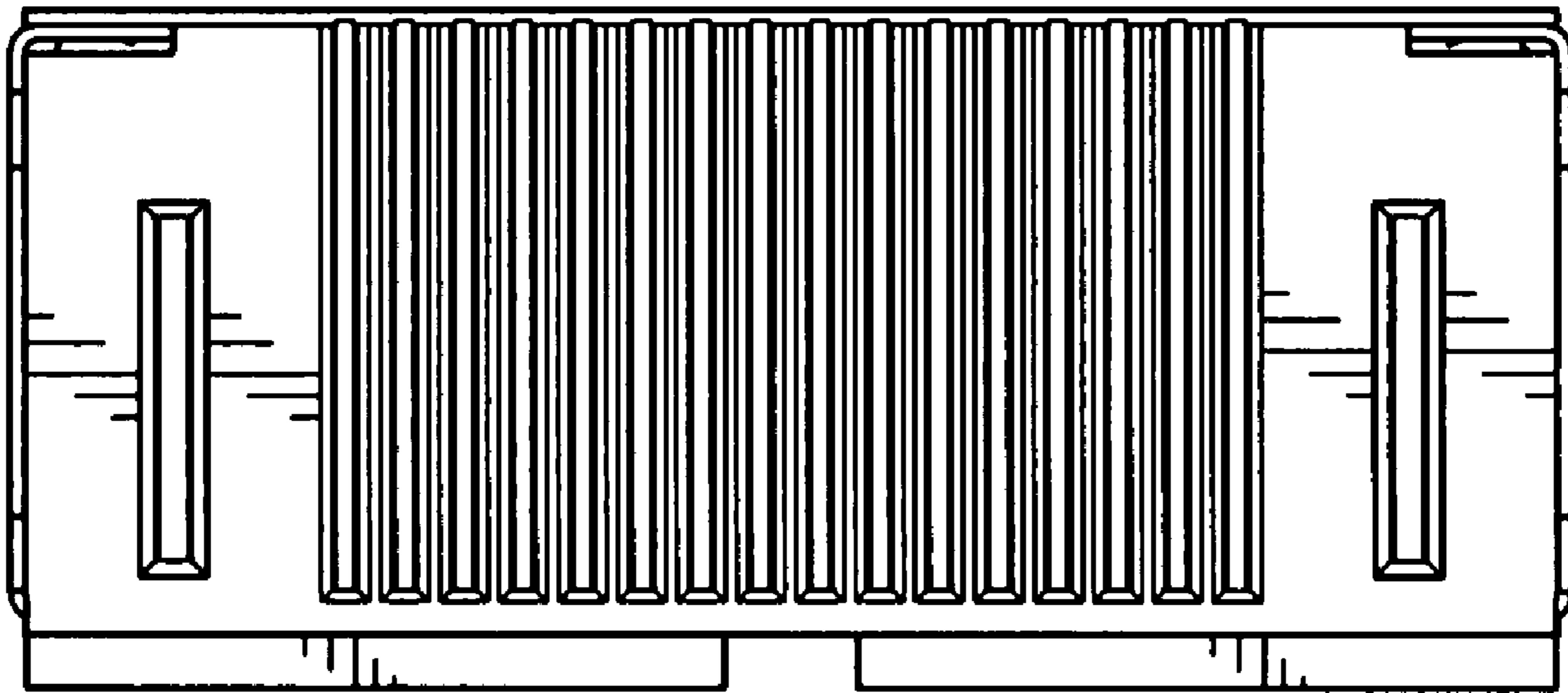


FIG. 3

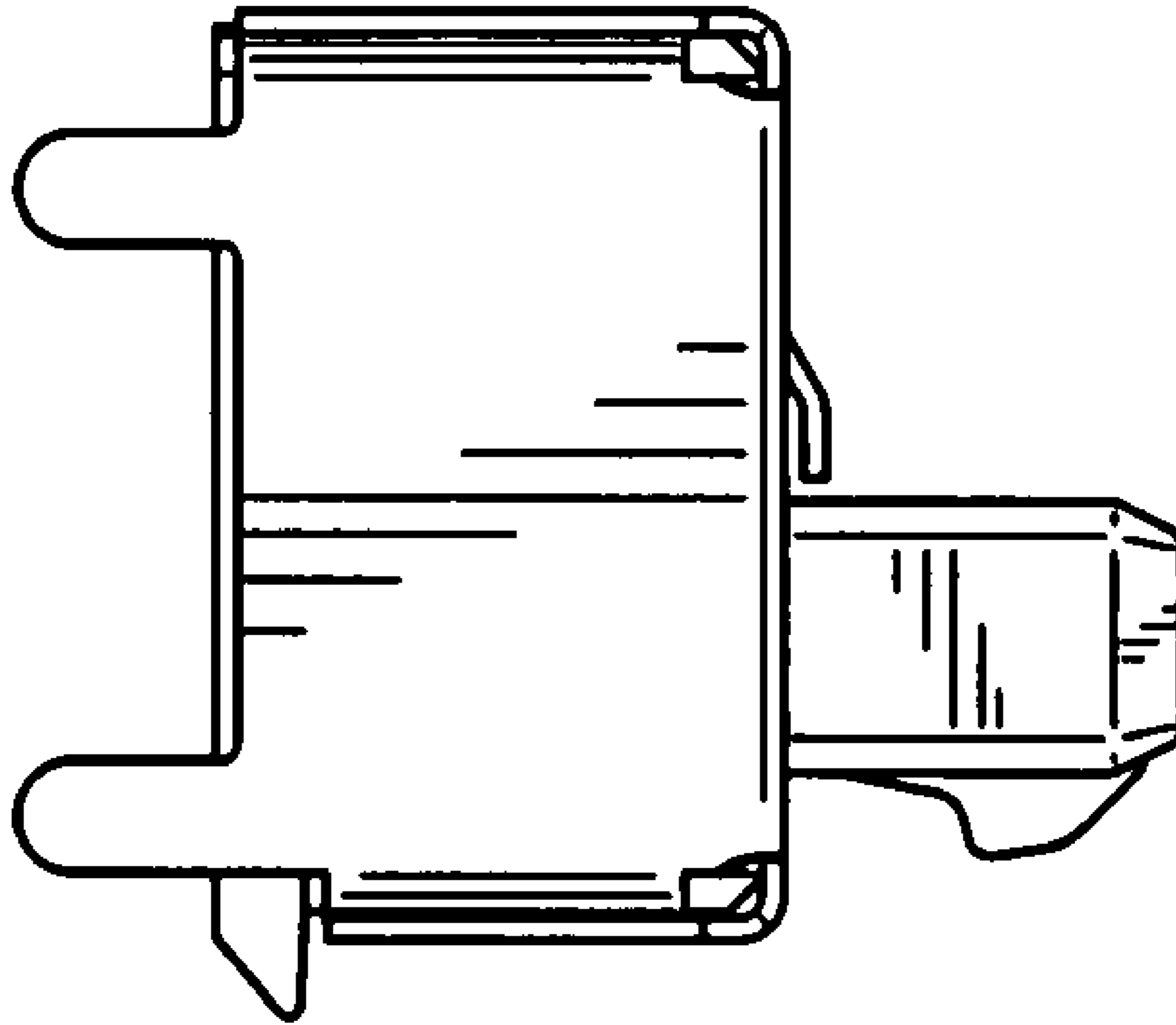


FIG. 4

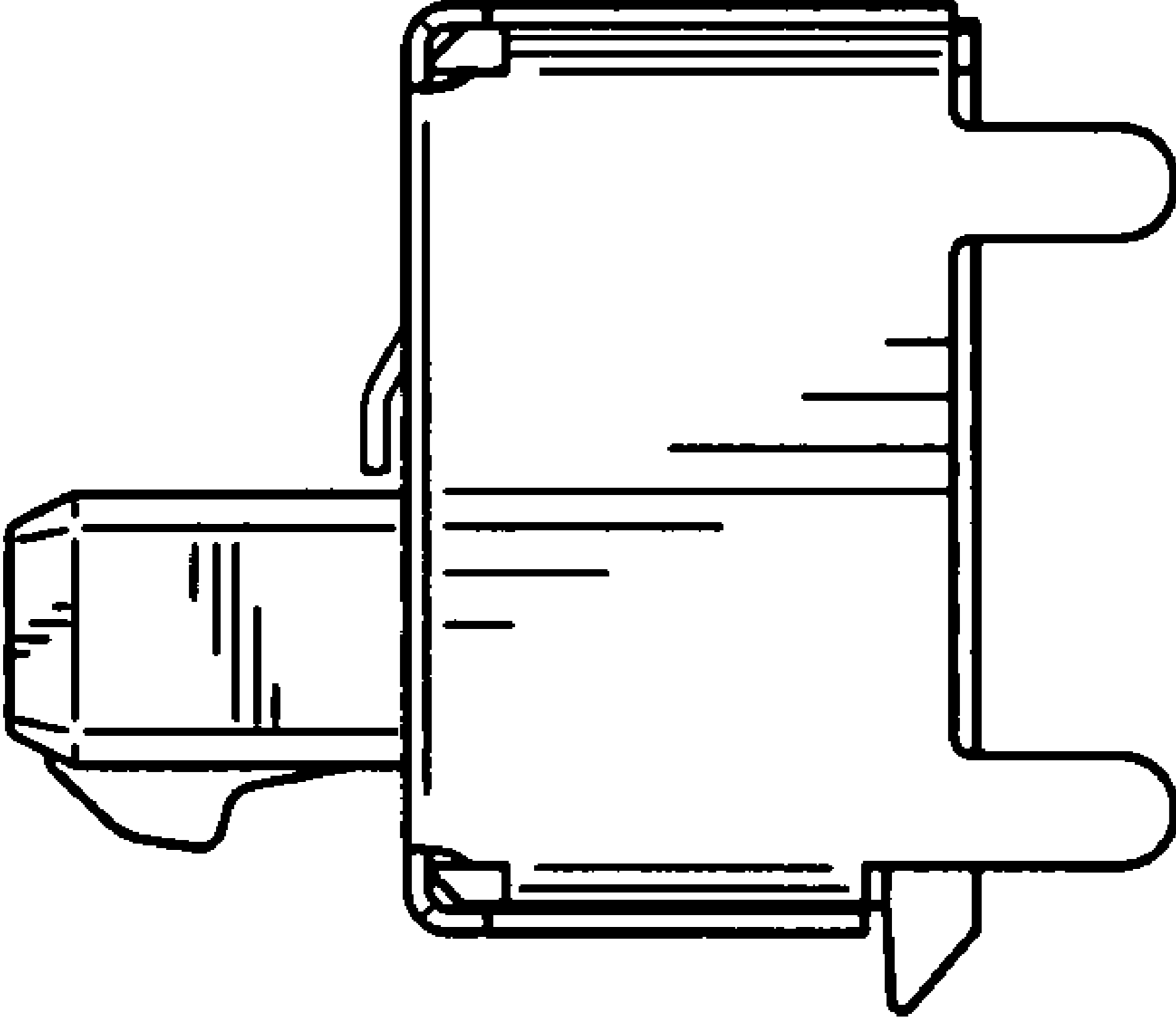


FIG. 5

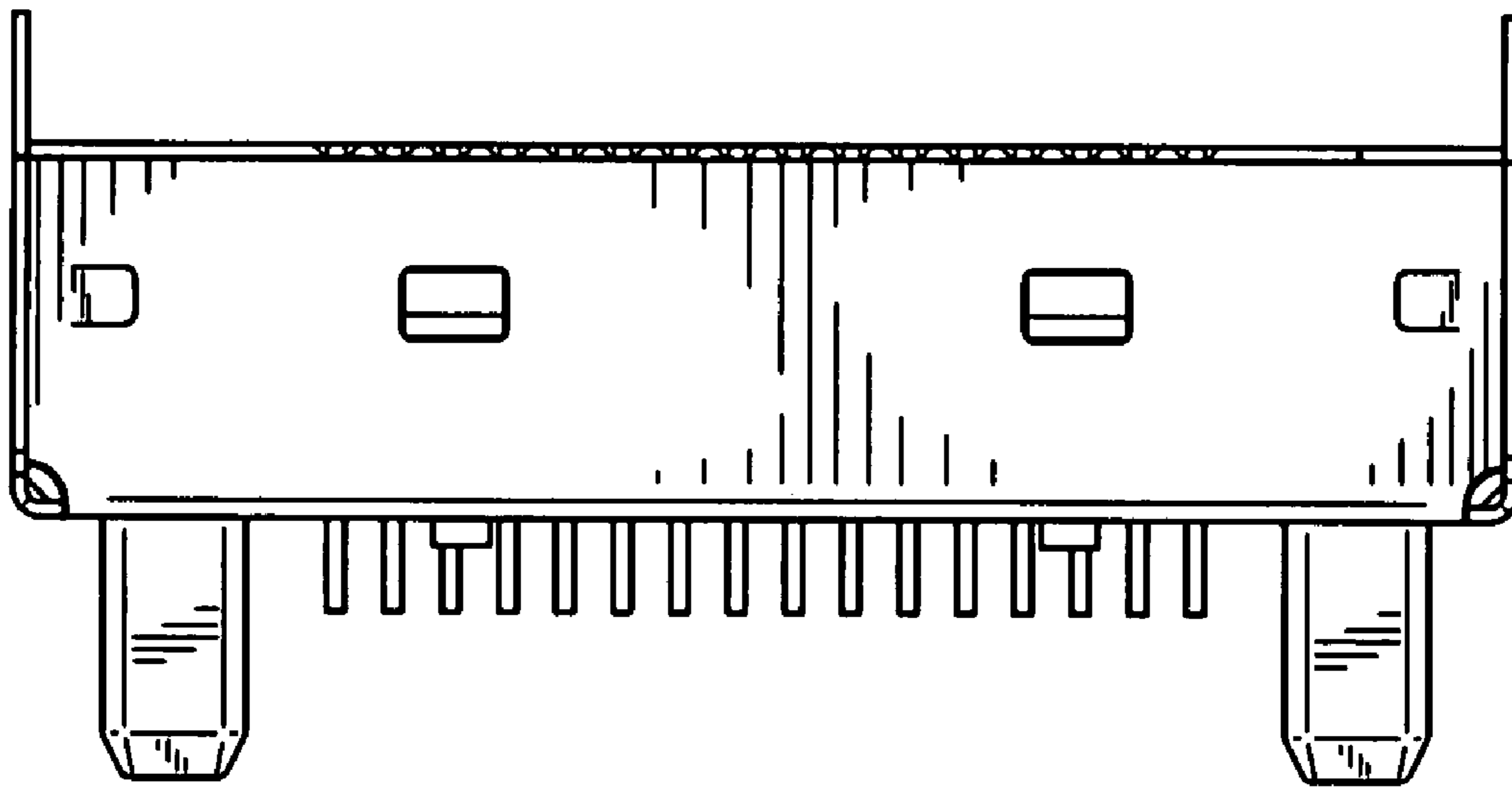


FIG. 6

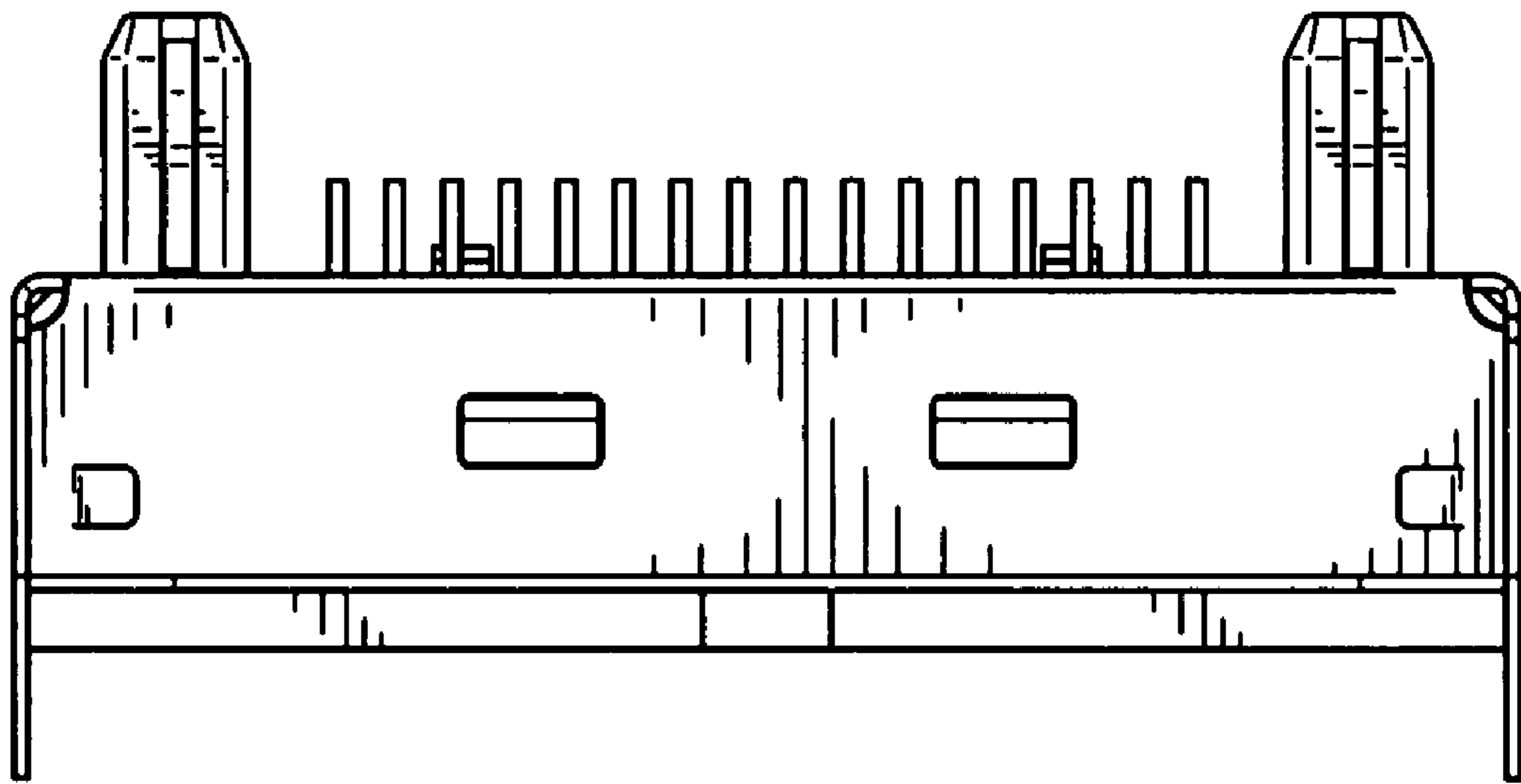


FIG. 7

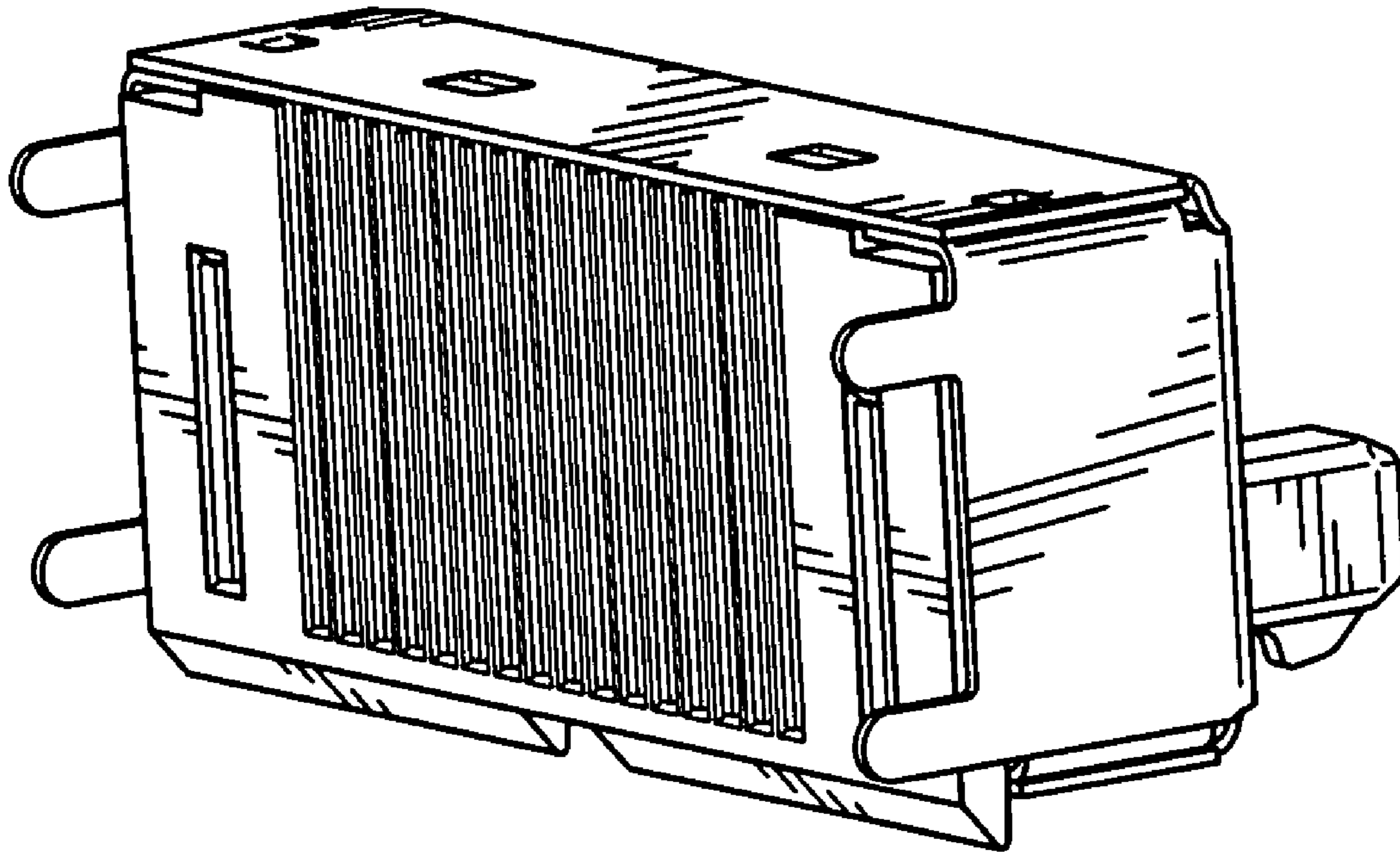


FIG. 8