



US00D585026S

(12) **United States Design Patent**  
**Kok**

(10) **Patent No.:** **US D585,026 S**  
(45) **Date of Patent:** **\*\* Jan. 20, 2009**

(54) **PROJECTOR LAMP CONNECTOR**

(75) Inventor: **Beng Onn Kok**, Jurong Town (SG)

(73) Assignee: **Molex Incorporated**, Lisle, IL (US)

(\*\*) Term: **14 Years**

(21) Appl. No.: **29/272,960**

(22) Filed: **Feb. 22, 2007**

(30) **Foreign Application Priority Data**

Aug. 24, 2006 (SG) ..... D2006/814/G

(51) **LOC (9) Cl.** ..... **13-03**

(52) **U.S. Cl.** ..... **D13/134; D13/133; D13/154**

(58) **Field of Classification Search** ..... D13/133,  
D13/146, 149, 154, 184, 199; 439/248, 357,  
439/680, 723

See application file for complete search history.

(56) **References Cited**

**U.S. PATENT DOCUMENTS**

D296,207 S *	6/1988	Futatsugi et al. ....	D13/134
D474,447 S *	5/2003	Kano .....	D13/133
D475,014 S *	5/2003	Kano .....	D13/133
D527,345 S *	8/2006	Zhang .....	D13/133
D531,120 S *	10/2006	Tamura .....	D13/133
D537,781 S *	3/2007	Tamura .....	D13/133

D544,838 S *	6/2007	Ciancanelli et al. ....	D13/134
D549,649 S *	8/2007	Ciancanelli et al. ....	D13/136
D552,034 S *	10/2007	Hobson et al. ....	D13/133
D561,101 S *	2/2008	Sakamoto .....	D13/133
D564,963 S *	3/2008	Sakamoto .....	D13/133

\* cited by examiner

*Primary Examiner*—Daniel D Bui

(74) *Attorney, Agent, or Firm*—Robert J. Zeitler

(57) **CLAIM**

The ornamental design for a projector lamp connector, as shown and described.

**DESCRIPTION**

FIG. 1 is a front, right side and bottom perspective view of a projector lamp connector, showing my new design;

FIG. 2 is a front elevation view thereof;

FIG. 3 is a rear elevation view thereof;

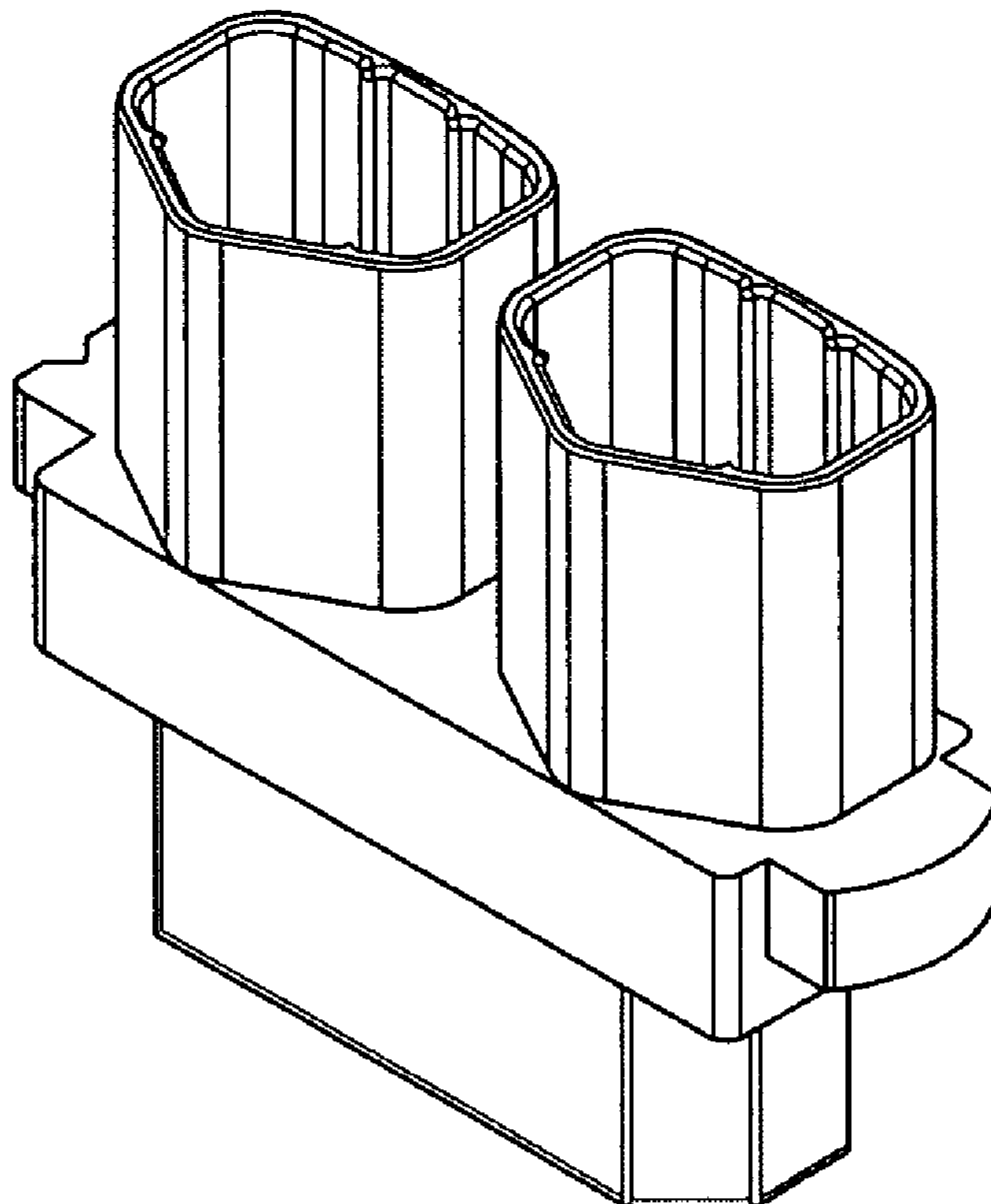
FIG. 4 is a right side elevation view thereof;

FIG. 5 is a left side elevation view thereof; and,

FIG. 6 is a bottom plan view thereof.

The broken line of the internal elements of the connector shown in FIGS. 2 and 3 is unclaimed subject matter and forms no part of the claimed design.

**1 Claim, 2 Drawing Sheets**



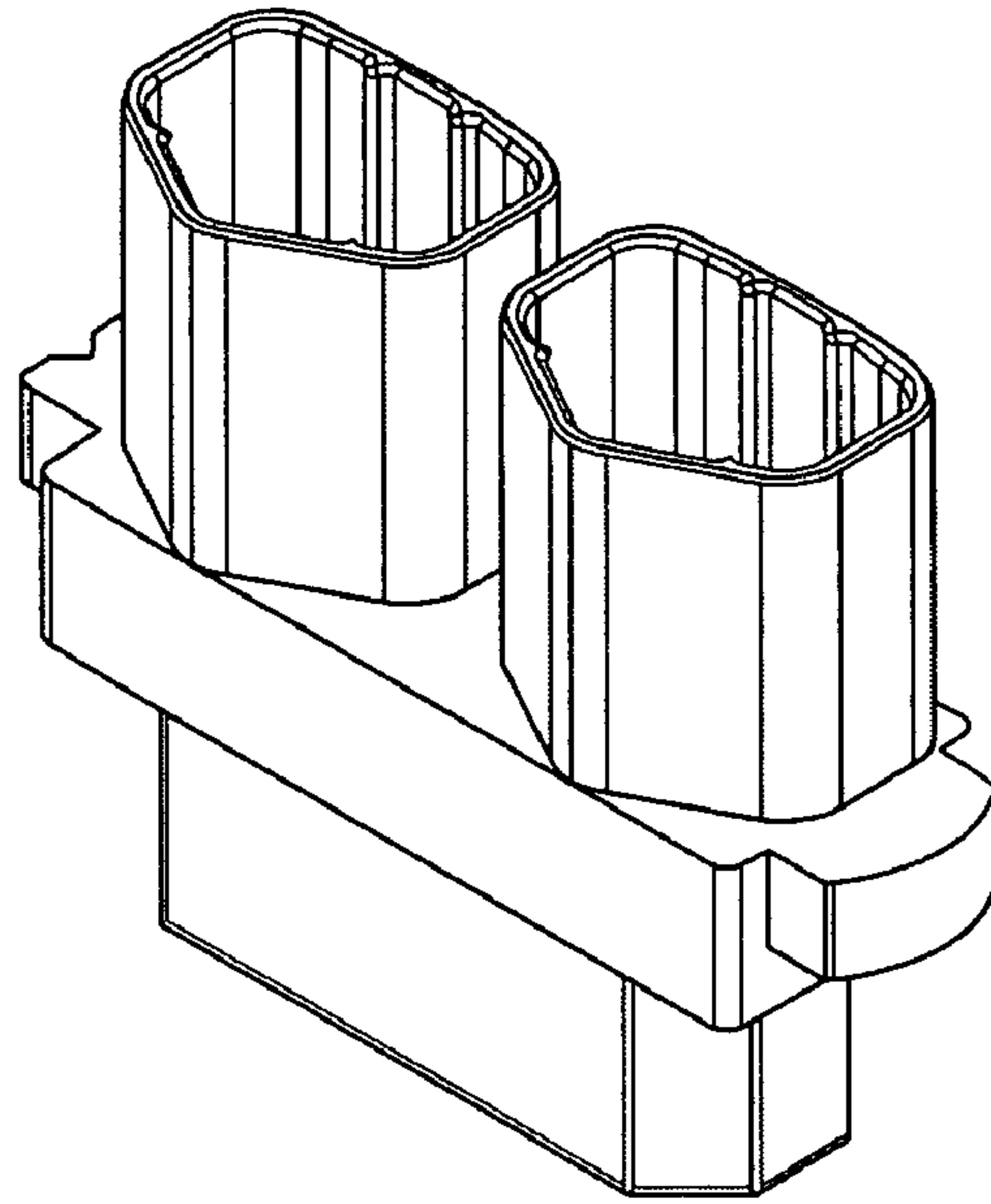


FIG. 1

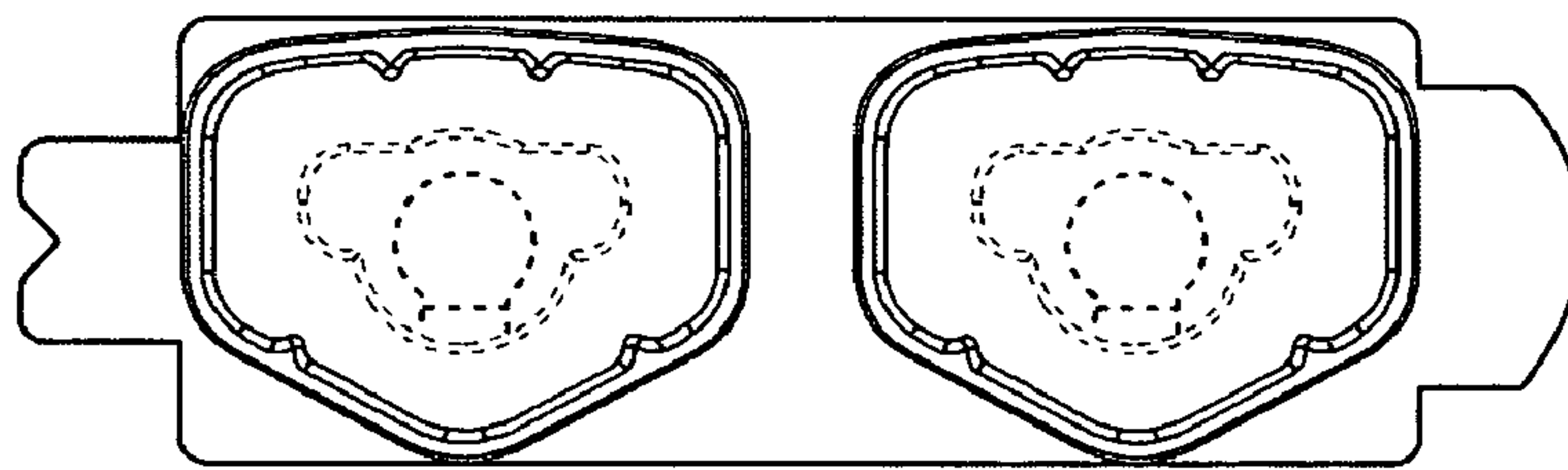


FIG. 2

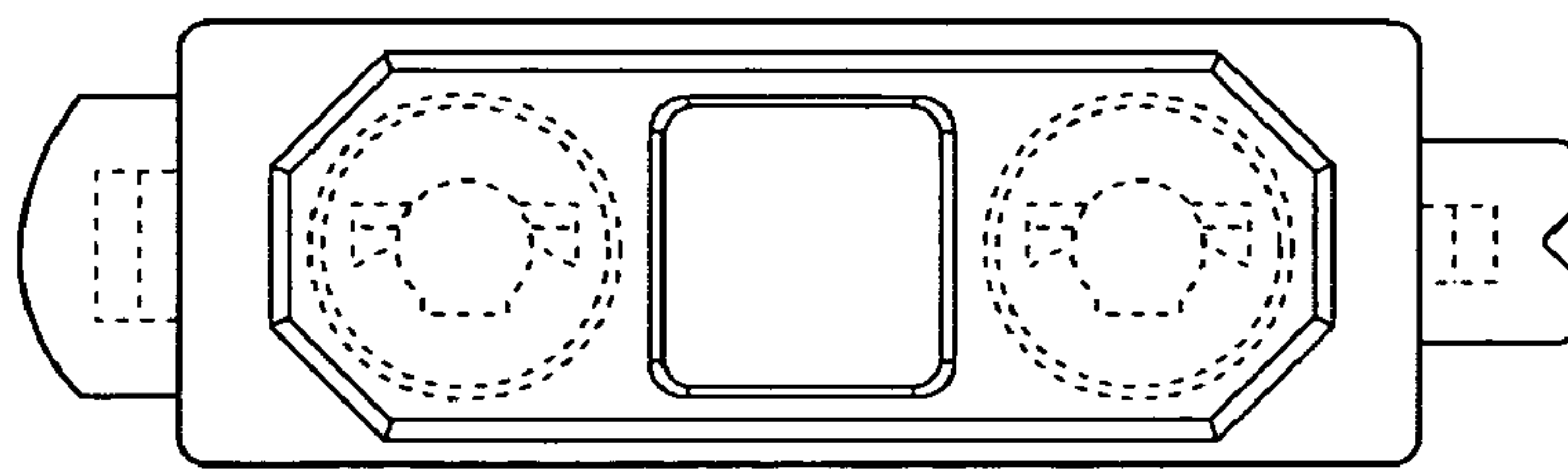


FIG. 3

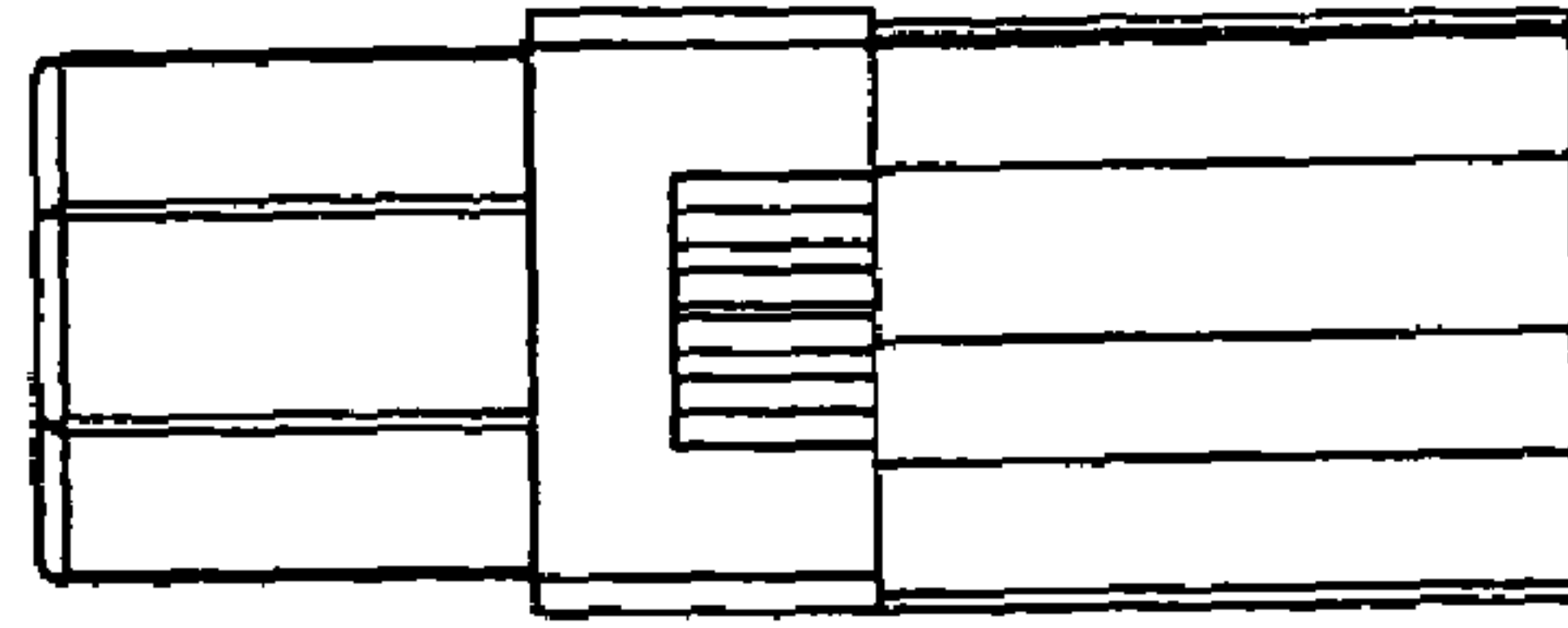


FIG. 4

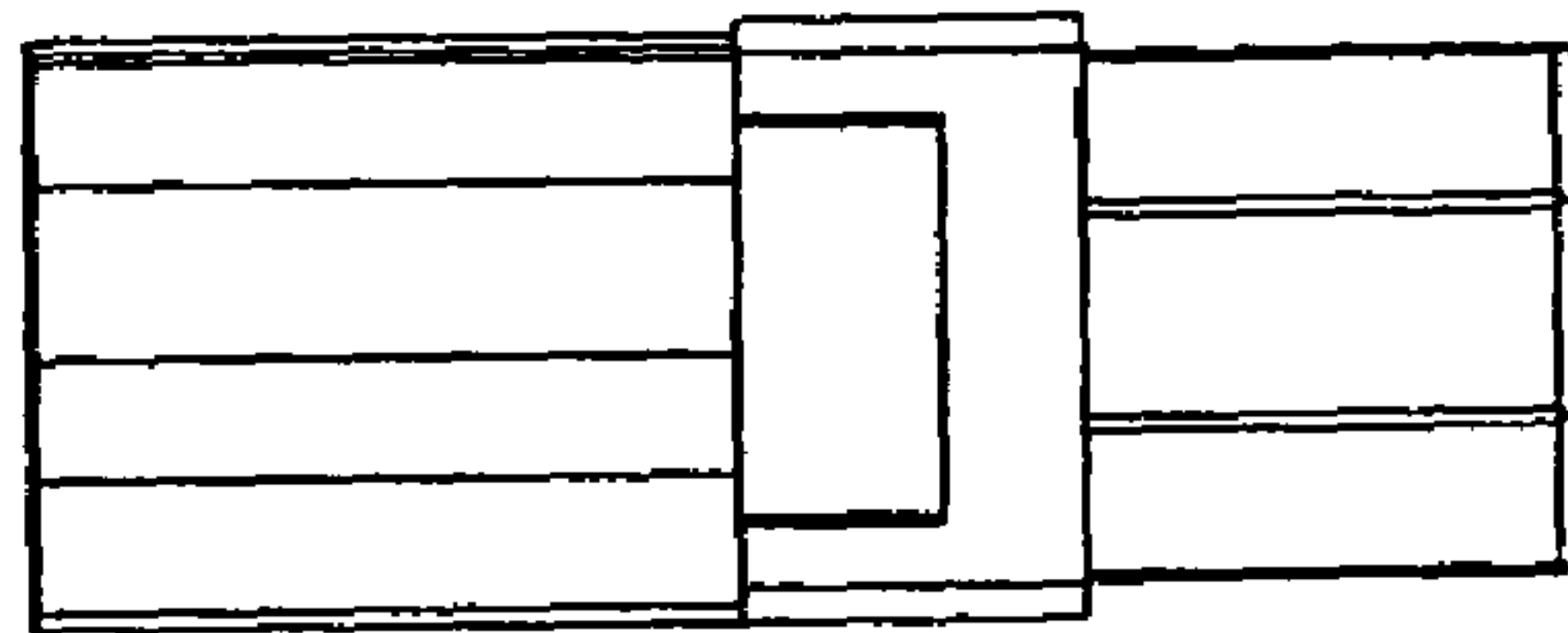


FIG. 5

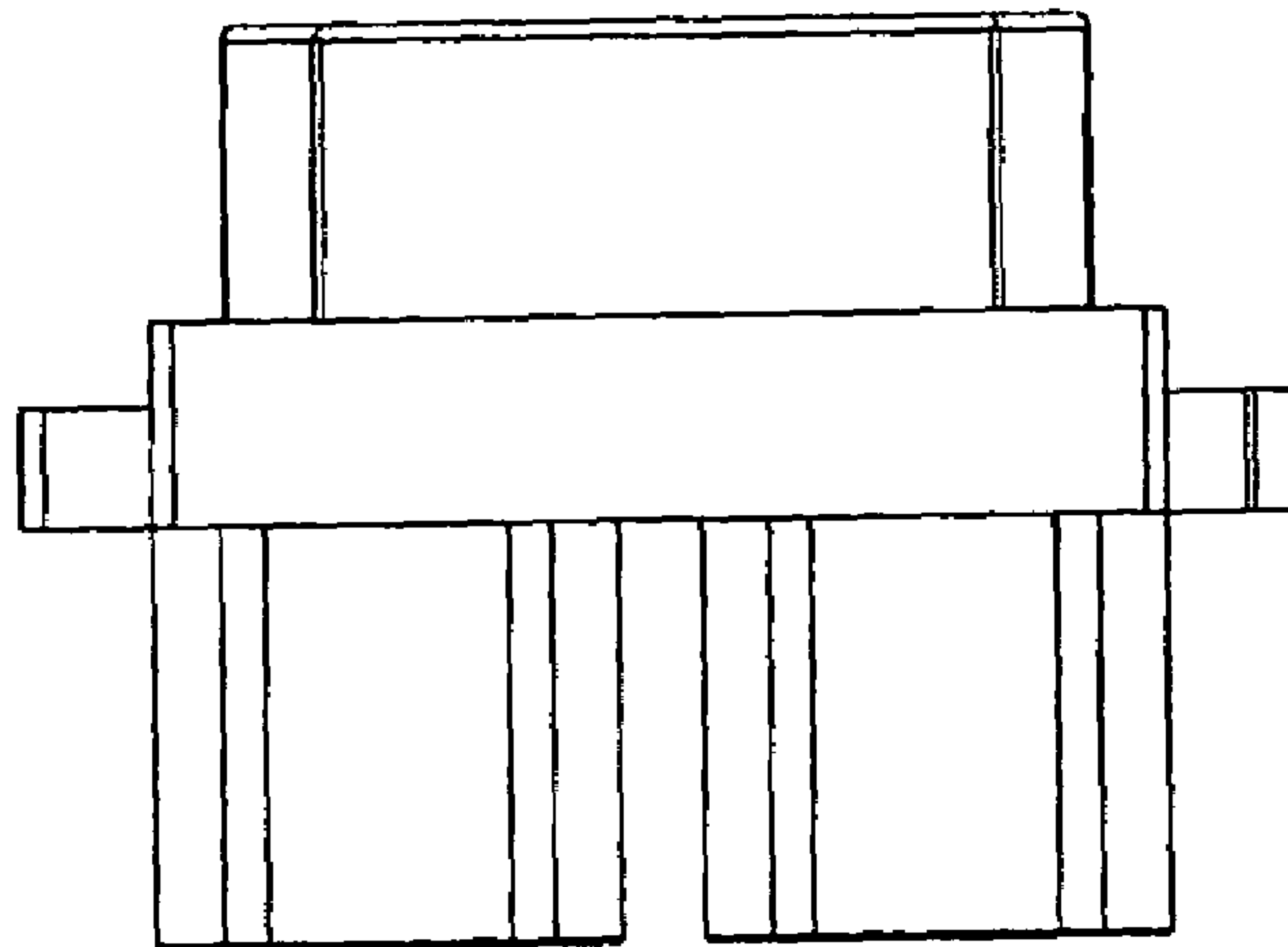


FIG. 6