



US00D585024S

(12) **United States Design Patent**
Kudo

(10) **Patent No.:** **US D585,024 S**
(45) **Date of Patent:** **** Jan. 20, 2009**

(54) **ELECTRICAL CONNECTOR HOUSING**

(75) Inventor: **Tsutomu Kudo**, Tsukuba (JP)

(73) Assignee: **Tyco Electronics AMP K.K.**,
Kanagawa-ken (JP)

(**) Term: **14 Years**

(21) Appl. No.: **29/302,549**

(22) Filed: **Jan. 18, 2008**

Related U.S. Application Data

(62) Division of application No. 29/244,748, filed on Dec. 14, 2005, now Pat. No. Des. 564,452.

(30) **Foreign Application Priority Data**

Jun. 17, 2005 (JP) 2005-017682

(51) **LOC (9) Cl.** **13-03**

(52) **U.S. Cl.** **D13/133; D13/147**

(58) **Field of Classification Search** D13/123,
D13/133, 146-147, 154, 184, 199; 439/79,
439/108, 278, 374, 377, 540.1, 541.5, 660,
439/607-610, 682, 884, 894

See application file for complete search history.

(56) **References Cited**

U.S. PATENT DOCUMENTS

- D311,517 S 10/1990 Kameyama et al.
- D316,703 S 5/1991 Eto et al.
- 5,645,436 A 7/1997 Shimizu et al.
- D410,629 S 6/1999 Bandura et al.
- D426,194 S 6/2000 Ko et al.
- D459,704 S 7/2002 Chen
- D463,370 S 9/2002 Chen
- D463,776 S 10/2002 Chen
- 6,572,411 B1 6/2003 Aeschbacher et al.
- 6,666,727 B2 12/2003 Konno et al.

- D502,922 S 3/2005 Cheng et al.
- 6,863,549 B2 3/2005 Brunker et al.
- D511,496 S 11/2005 Riku
- D512,022 S 11/2005 Riku

(Continued)

FOREIGN PATENT DOCUMENTS

JP 1260796 12/2005

(Continued)

Primary Examiner—Daniel D Bui

(74) *Attorney, Agent, or Firm*—Barley Snyder LLC

(57) **CLAIM**

The ornamental design for an electrical connector housing, as shown and described.

DESCRIPTION

FIG. 1 is a front elevation view of an electrical connector housing, showing my new design;

FIG. 2 is a top plan view thereof;

FIG. 3 is a bottom plan view thereof;

FIG. 4 is a right side elevation view thereof;

FIG. 5 is a left side elevation view thereof;

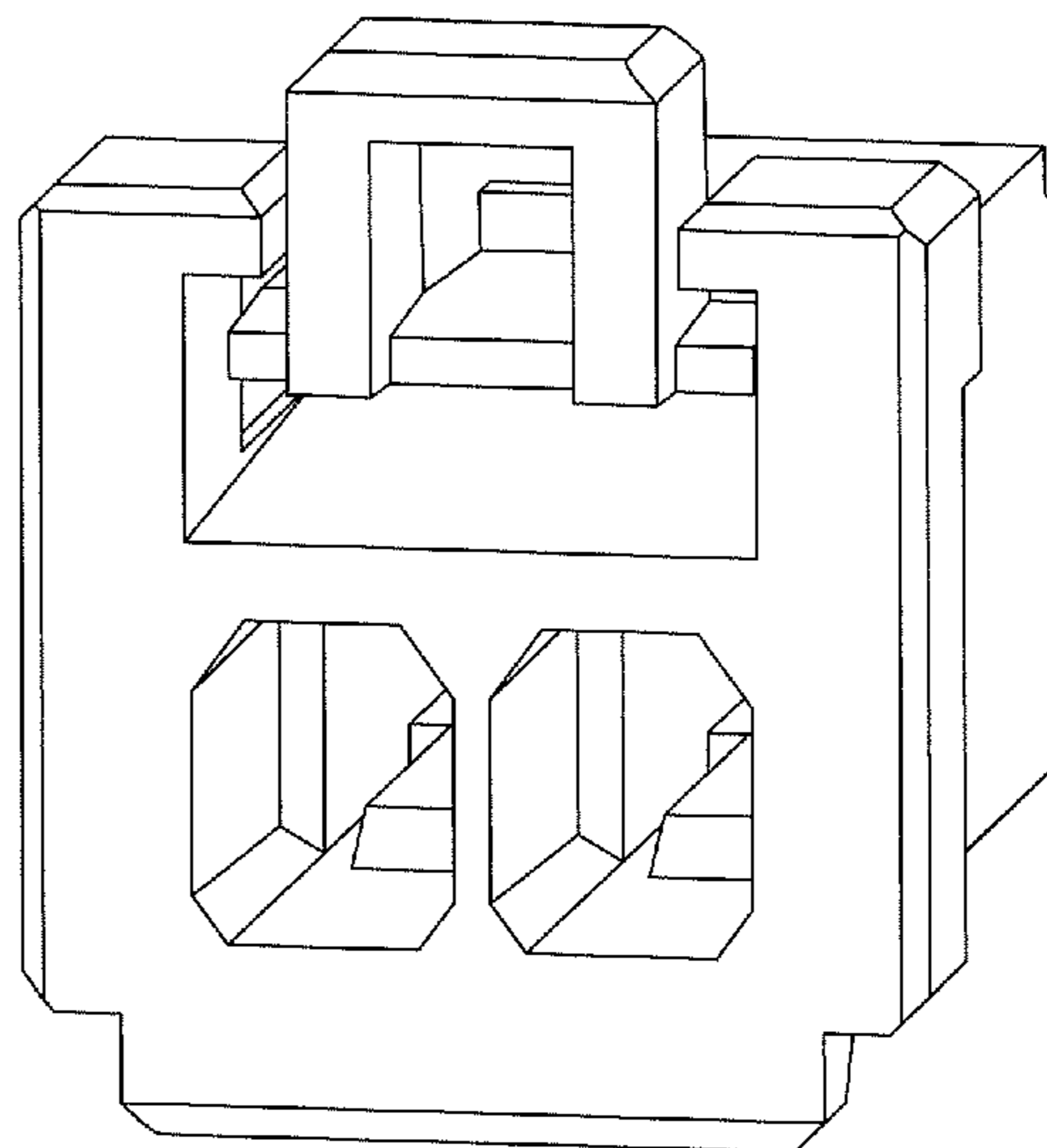
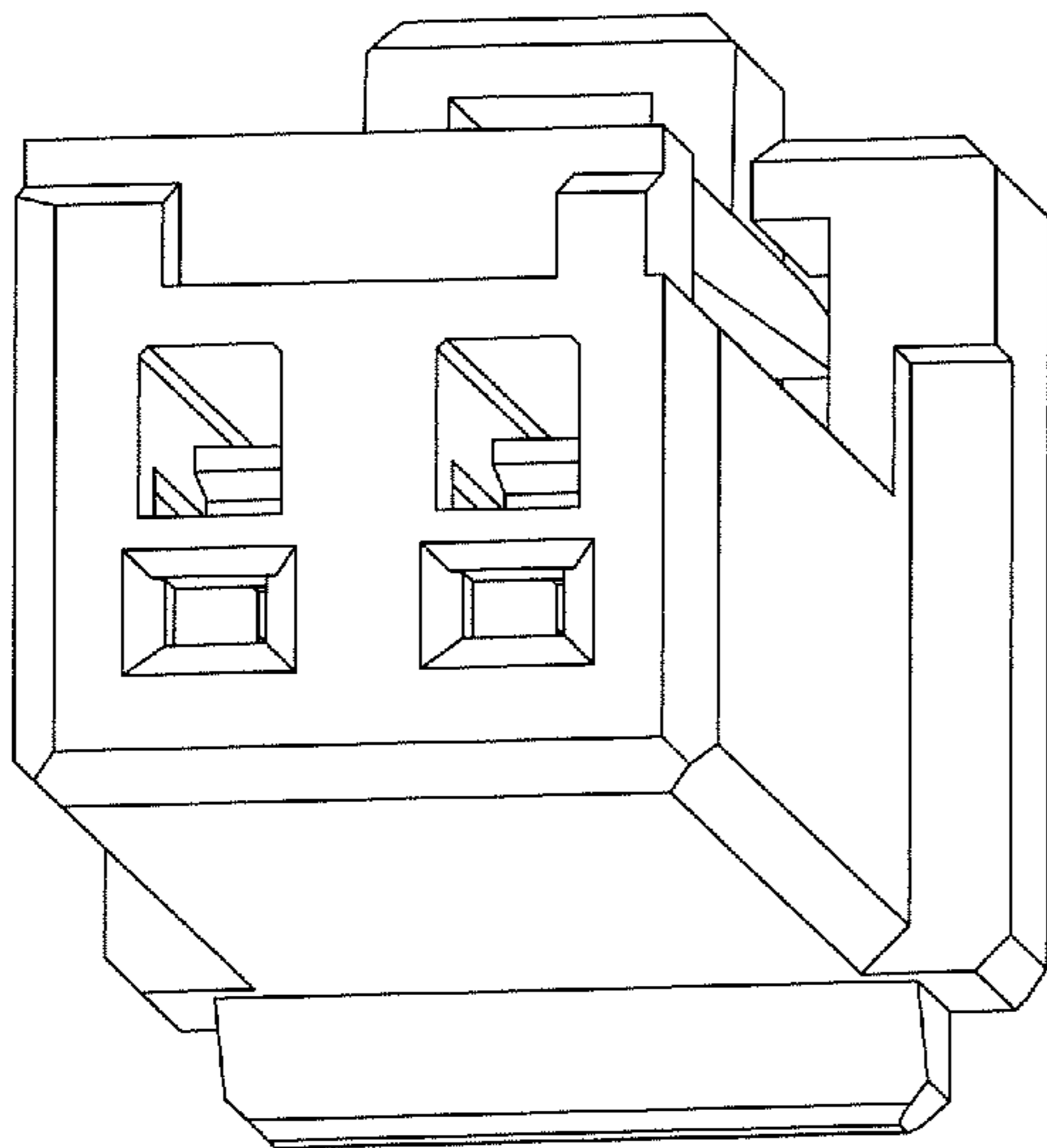
FIG. 6 is a rear elevation view thereof;

FIG. 7 is a bottom, front and right side perspective view thereof; and,

FIG. 8 is a rear, top and left side perspective view thereof.

The broken lines of the internal elements of the connector in FIGS. 1 and 6 are included to show unclaimed subject matter only and form no part of the claimed design.

1 Claim, 8 Drawing Sheets



US D585,024 S

Page 2

U.S. PATENT DOCUMENTS

D514,521 S 2/2006 Riku
D517,014 S 3/2006 Riku
D517,015 S 3/2006 Riku
D517,486 S 3/2006 Riku
D517,487 S 3/2006 Riku
D517,488 S 3/2006 Riku
D517,991 S 3/2006 Riku
D517,992 S 3/2006 Riku
D518,438 S 4/2006 Riku
D518,784 S 4/2006 Riku
D518,785 S 4/2006 Riku
D518,786 S 4/2006 Riku
D519,460 S 4/2006 Riku
D519,462 S 4/2006 Kudo
D520,454 S 5/2006 Riku
D520,956 S 5/2006 Riku

D523,399 S 6/2006 Sakamaki et al.
D524,751 S 7/2006 Lee et al.
D524,755 S 7/2006 Kudo
D525,941 S 8/2006 Kudo
D529,444 S 10/2006 Kudo
D537,788 S 3/2007 Kudo
D538,230 S 3/2007 Kudo
D538,231 S 3/2007 Kudo
D542,736 S 5/2007 Riku
D550,628 S 9/2007 Whiteman, Jr. et al.
D552,556 S 10/2007 Sakamoto
D552,557 S 10/2007 Sakamoto
2007/0197063 A1 8/2007 Ngo et al.

FOREIGN PATENT DOCUMENTS

JP 1261123 12/2005
JP 1261124 12/2005
JP 1261125 12/2005

FIG.1

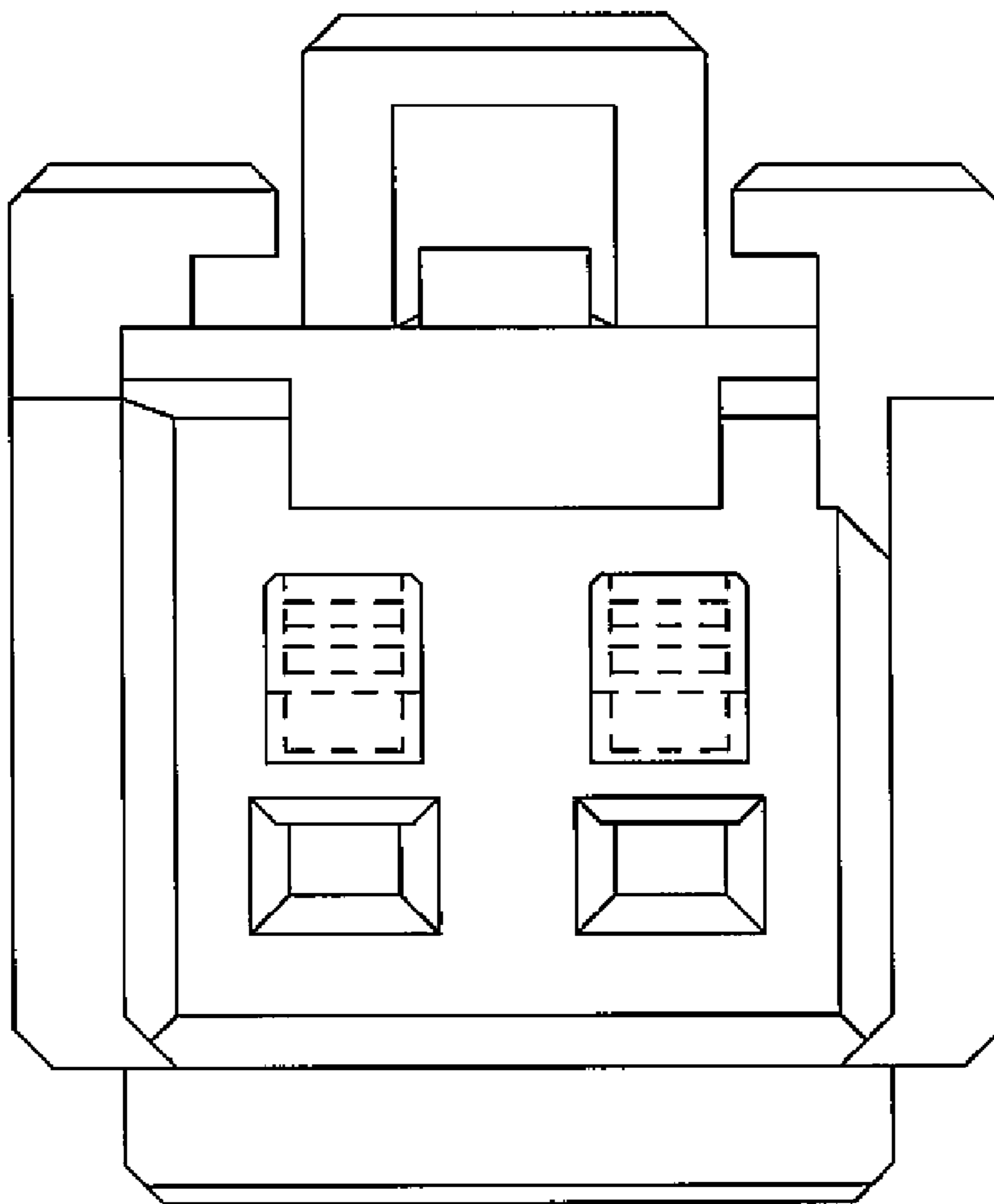


FIG.2

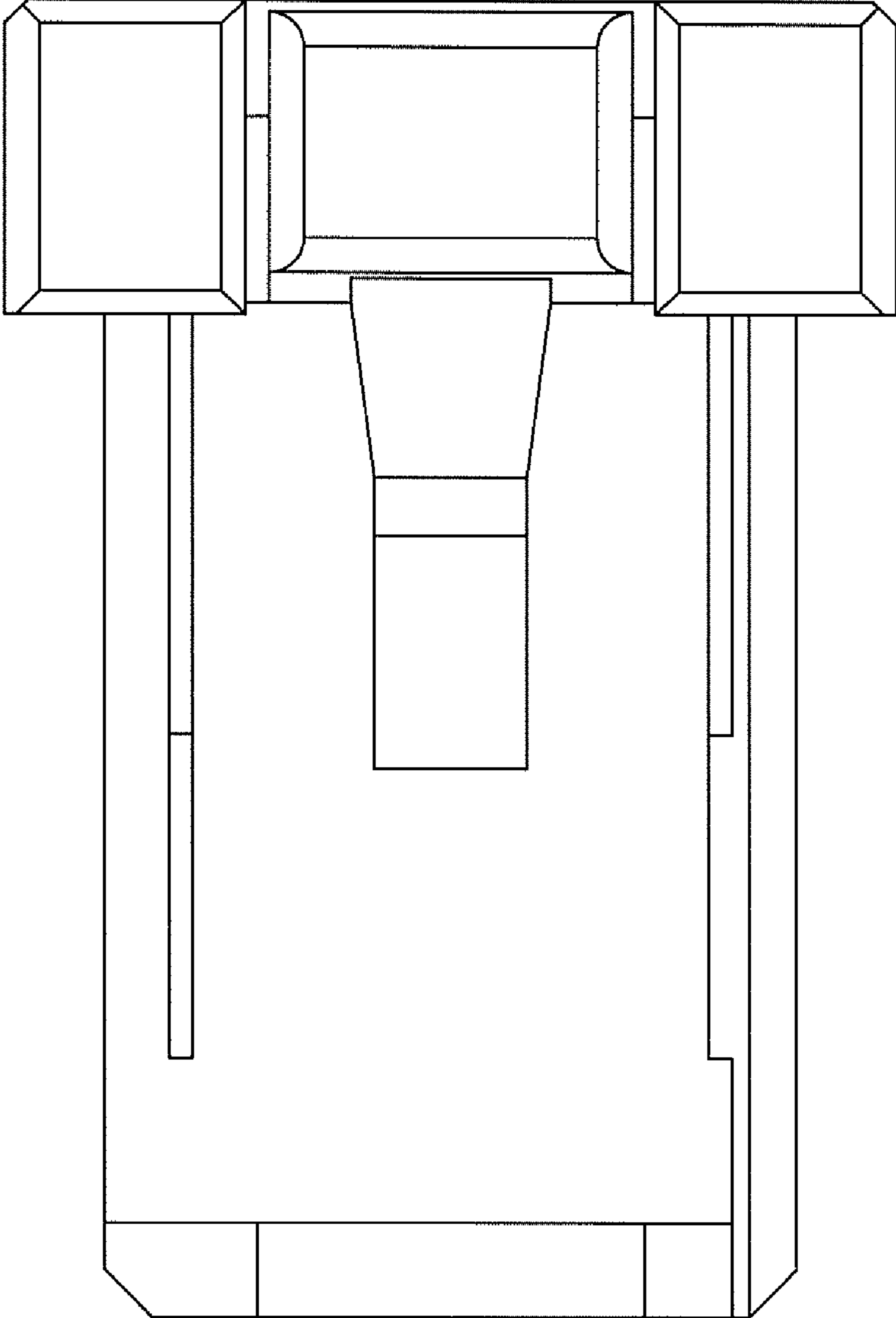


FIG.3

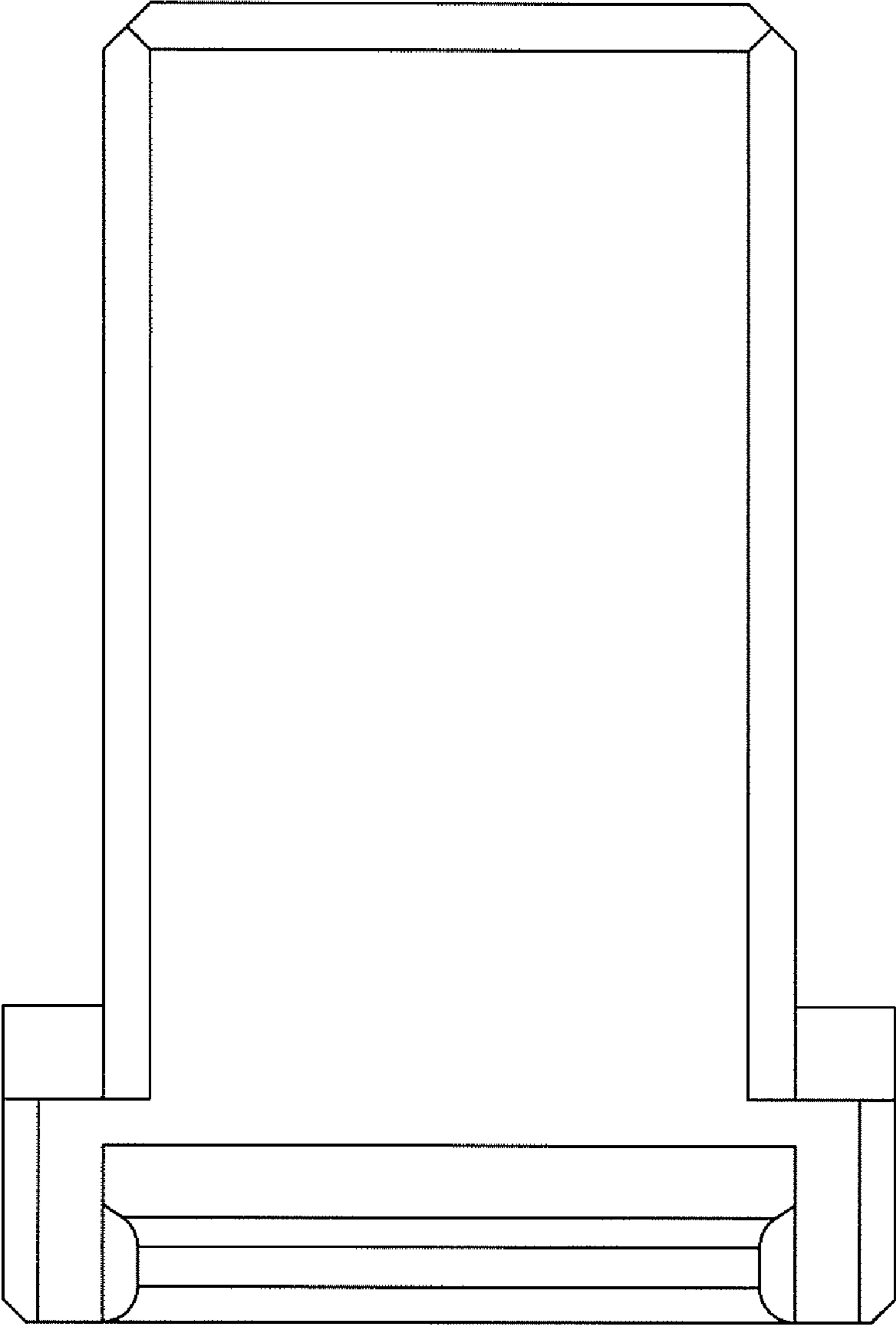


FIG.4

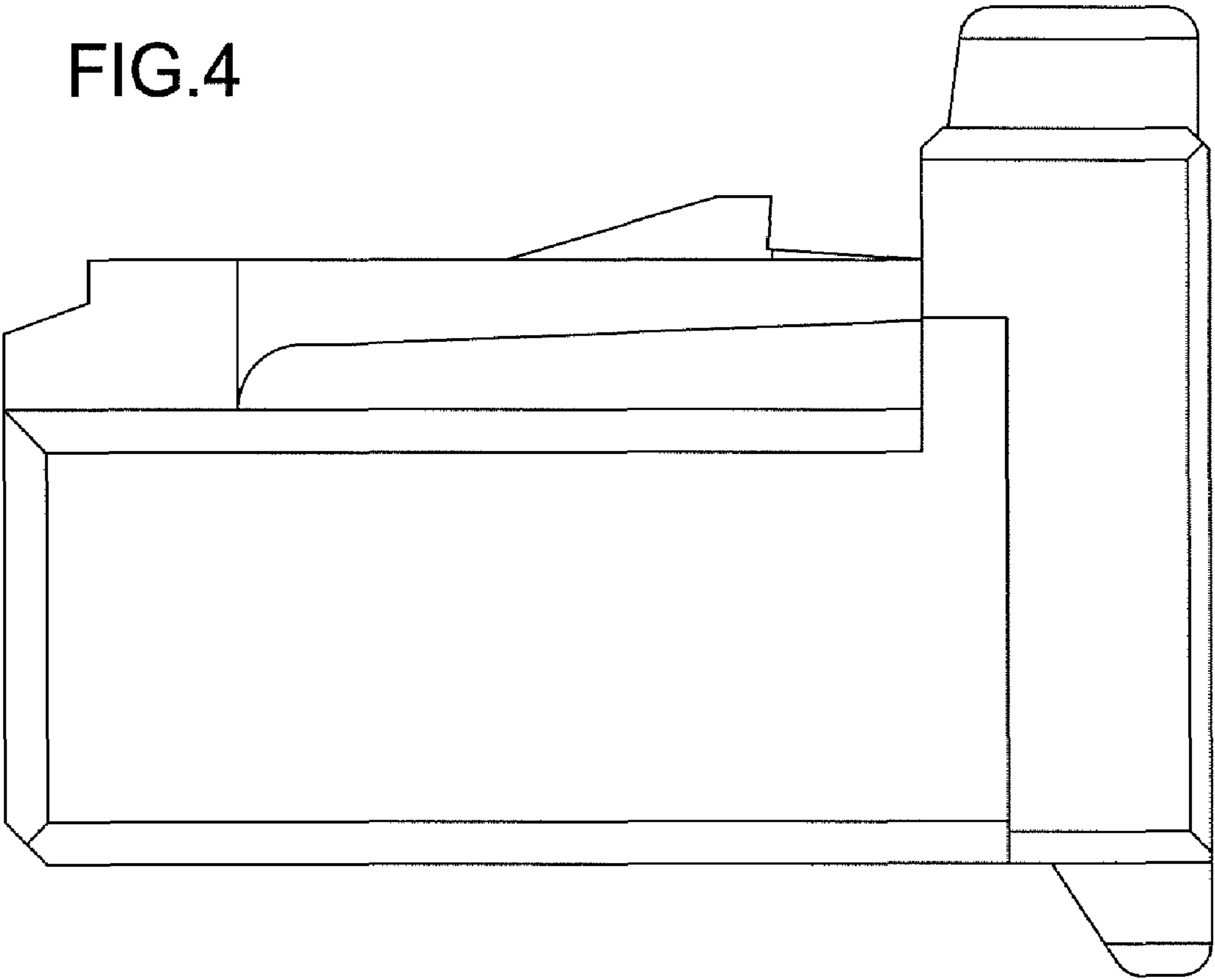


FIG.5

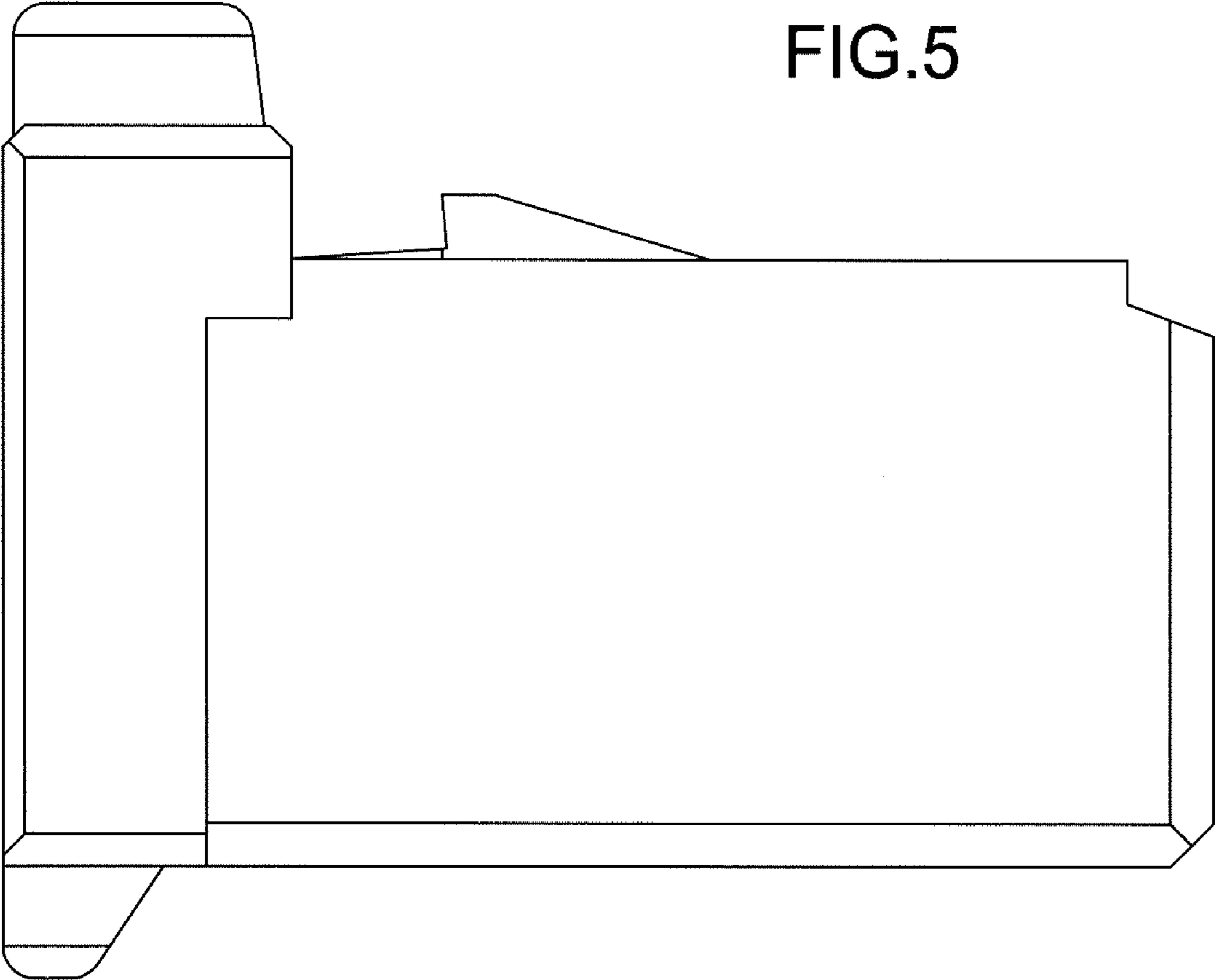


FIG.6

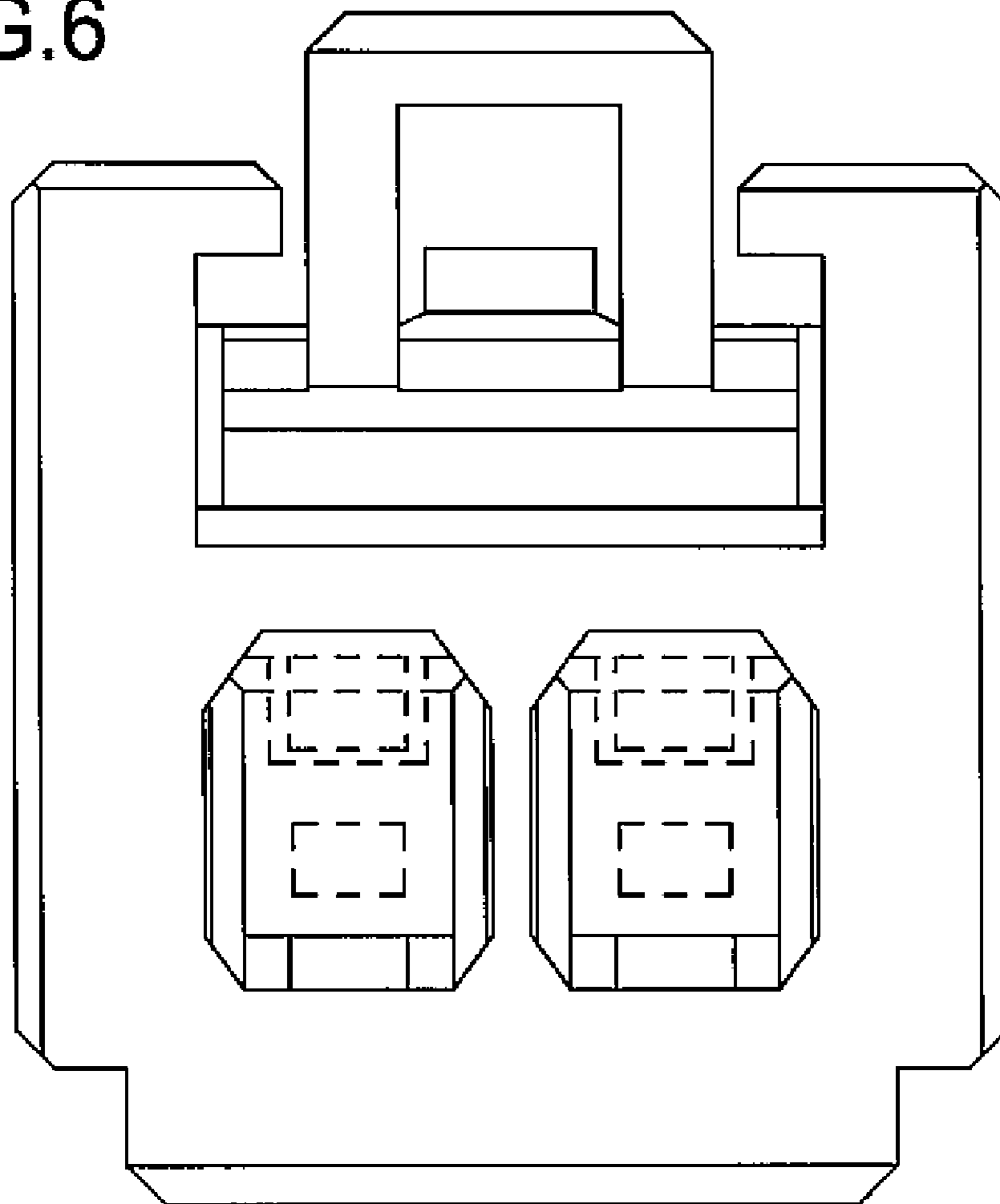


FIG.7

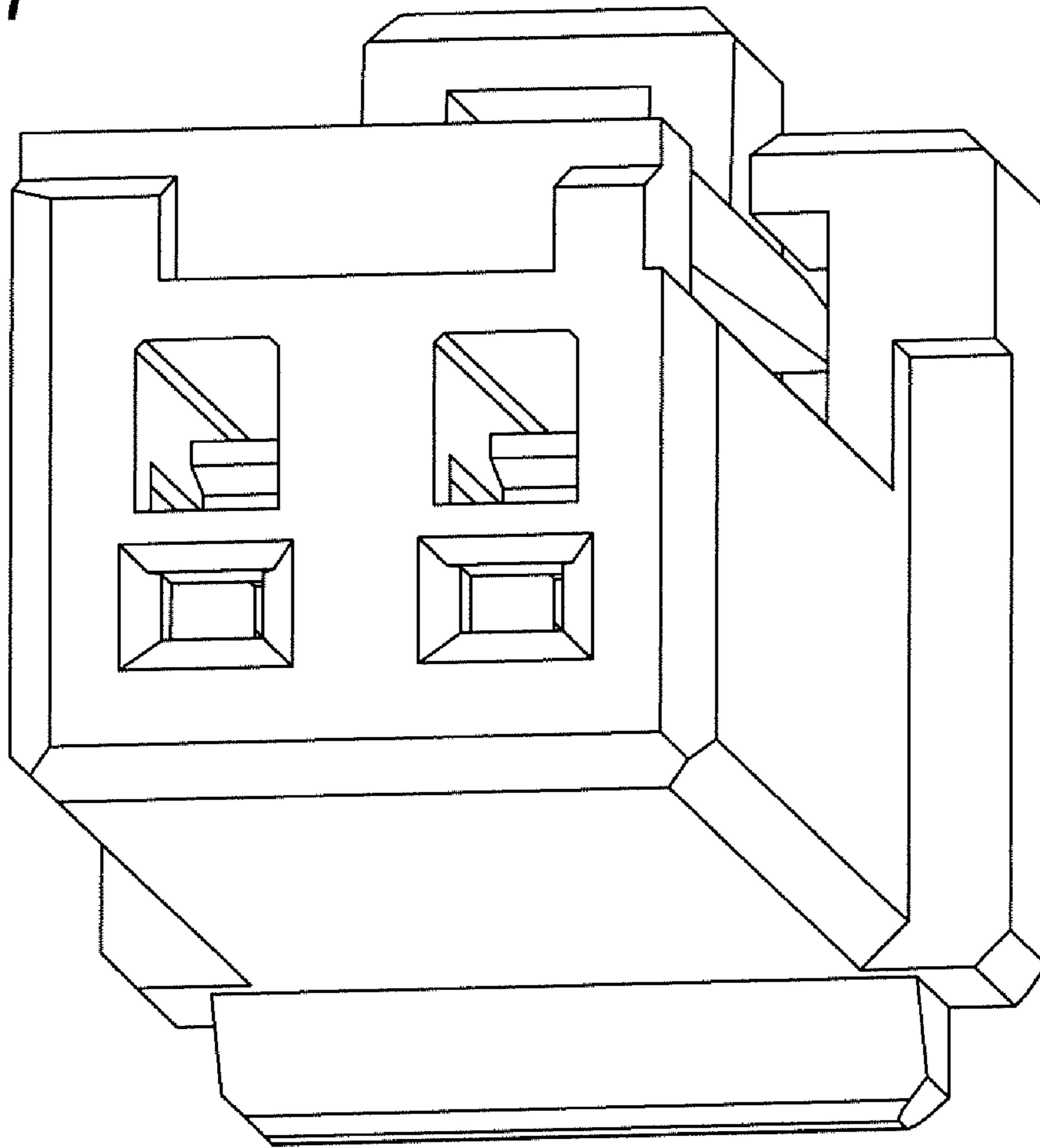


FIG.8

