



US00D585022S

(12) **United States Design Patent**
Akita

(10) **Patent No.:** **US D585,022 S**

(45) **Date of Patent:** **** Jan. 20, 2009**

(54) **POWER SUPPLY ADAPTER**

(75) Inventor: **Miho Akita**, Tokyo (JP)

(73) Assignee: **Sony Corporation**, Tokyo (JP)

(**) Term: **14 Years**

(21) Appl. No.: **29/254,321**

(22) Filed: **Feb. 23, 2006**

(30) **Foreign Application Priority Data**

Aug. 23, 2005 (JP) D2005-024308

(51) **LOC (9) Cl.** **13-03**

(52) **U.S. Cl.** **D13/133**

(58) **Field of Classification Search** D13/133,
D13/137.4, 146, 147; D14/59, 188–198,
D14/156, 157, 168, 169, 265, 137; 361/686,
361/724–725, 824; 364/708.1; 429/3, 163,
429/121; 455/344–351, 3.06; 370/901, 916;
369/1–12; 381/119–121

See application file for complete search history.

(56) **References Cited**

U.S. PATENT DOCUMENTS

D413,574 S 9/1999 Goto
D420,646 S * 2/2000 Liao D13/147
D433,994 S * 11/2000 Jobs et al. D13/110
D443,860 S * 6/2001 Ogasawara D13/146
D535,974 S * 1/2007 Alwicker et al. D14/188

OTHER PUBLICATIONS

Web page “PCGA-AC19V9” http://www.sonymstyle.com/is-bin/INTERSHOP.enfinity/eCS/Store/en/-/UDS/SY_Dis . . . , 1 sheet, Sony (Feb. 2006).

Web page “U2H-K4B” <http://www2.elecom.co.jp/peripheral/usb-hub/u2h-k4b/index.asp>, 1 sheet, Elecom (Feb. 2006).

Web page “GH-UHS104B” <http://www.green-house.co.jp/products/usb20hub/uhs104b.html>, 1 sheet, Green House (Feb. 2006).

Web page “AirMac Express Base Station with AirTunes” <http://store.apple.com/0120-APPLE-1/WebObjects/japanstore.woa/80102/wo/AU5W01Uuao> . . . , 2 sheets, Apple Store (Feb. 2006).

* cited by examiner

Primary Examiner—Daniel D Bui

Assistant Examiner—Thomas J Johannes

(74) *Attorney, Agent, or Firm*—Rader, Fishman & Grauer, PLLC

(57) **CLAIM**

The ornamental design for a power supply adapter, as shown and described.

DESCRIPTION

FIG. 1 is a perspective view of a power supply adapter showing my new design;

FIG. 2 is a front elevational view thereof;

FIG. 3 is a rear elevational view thereof;

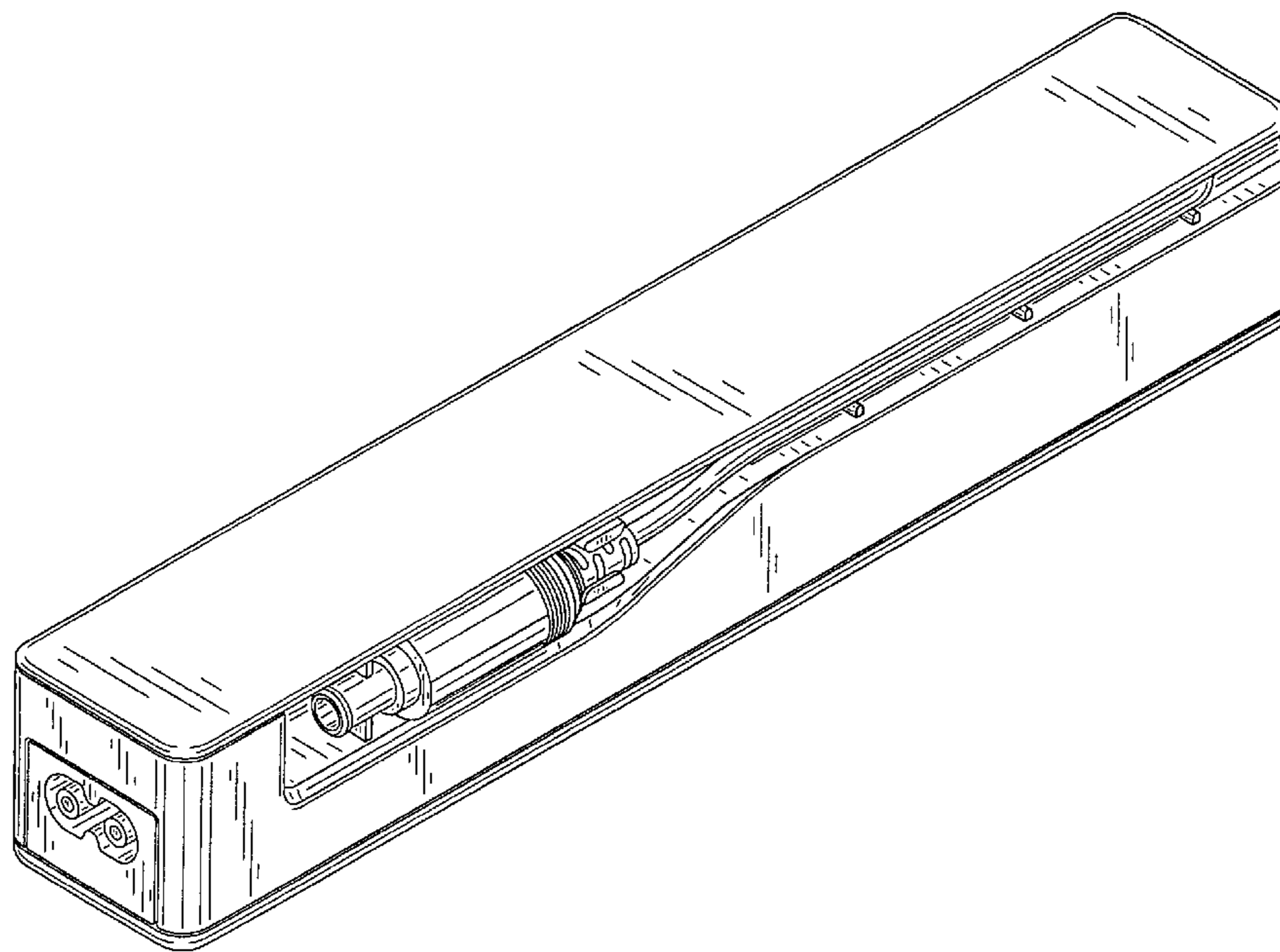
FIG. 4 is a left side elevational view thereof;

FIG. 5 is a right side elevational view thereof;

FIG. 6 is a top plan view thereof; and,

FIG. 7 is a bottom plan view thereof.

1 Claim, 7 Drawing Sheets



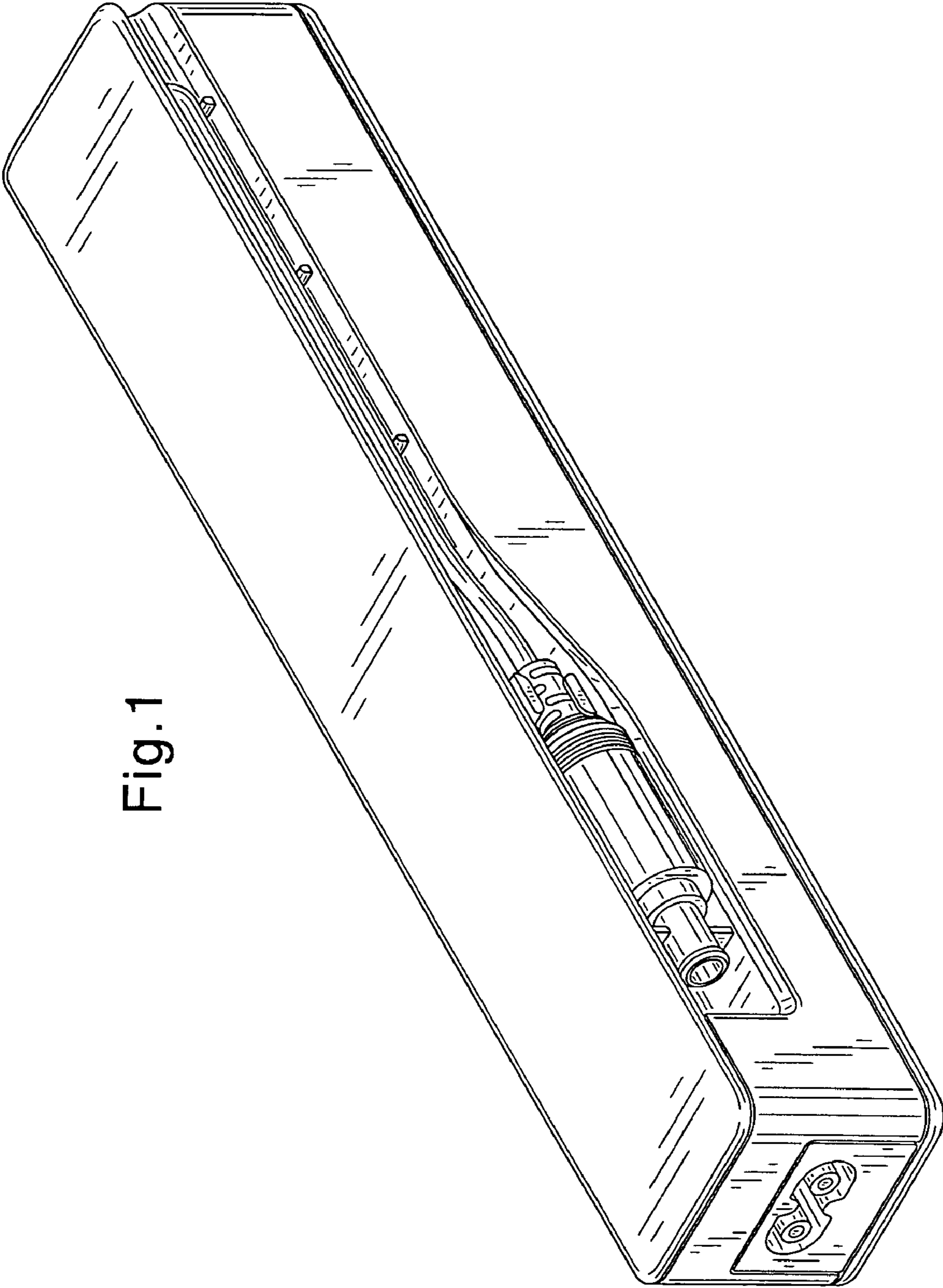


Fig. 1

Fig.2

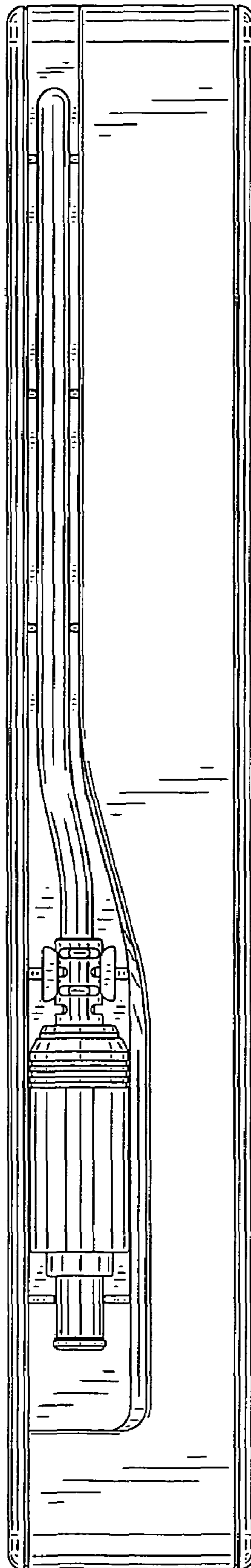


Fig.3

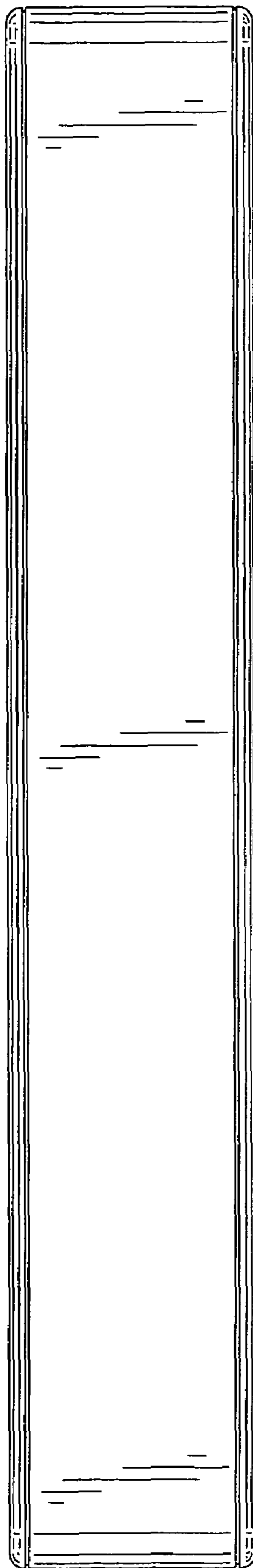


Fig. 4

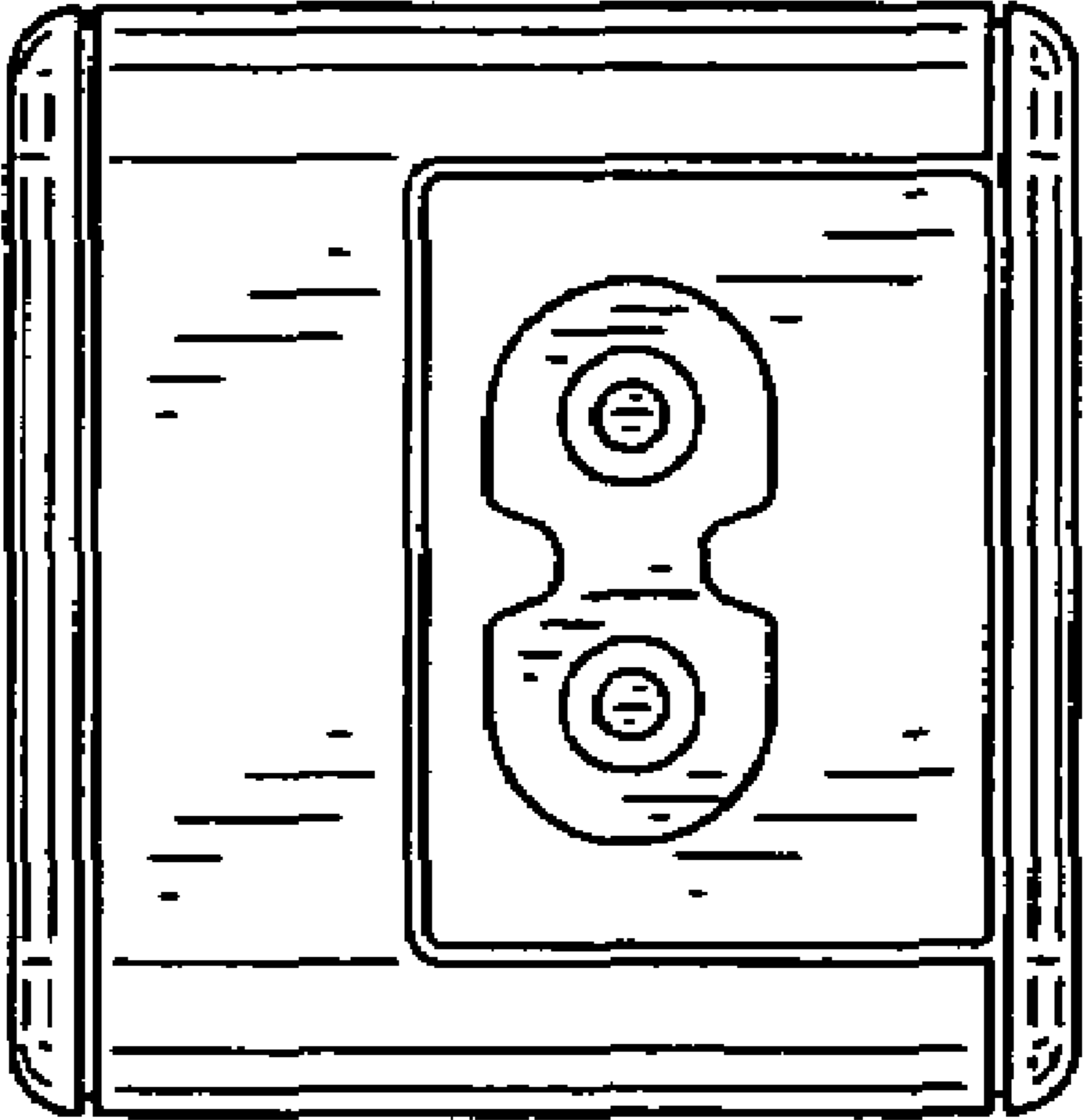


Fig. 5

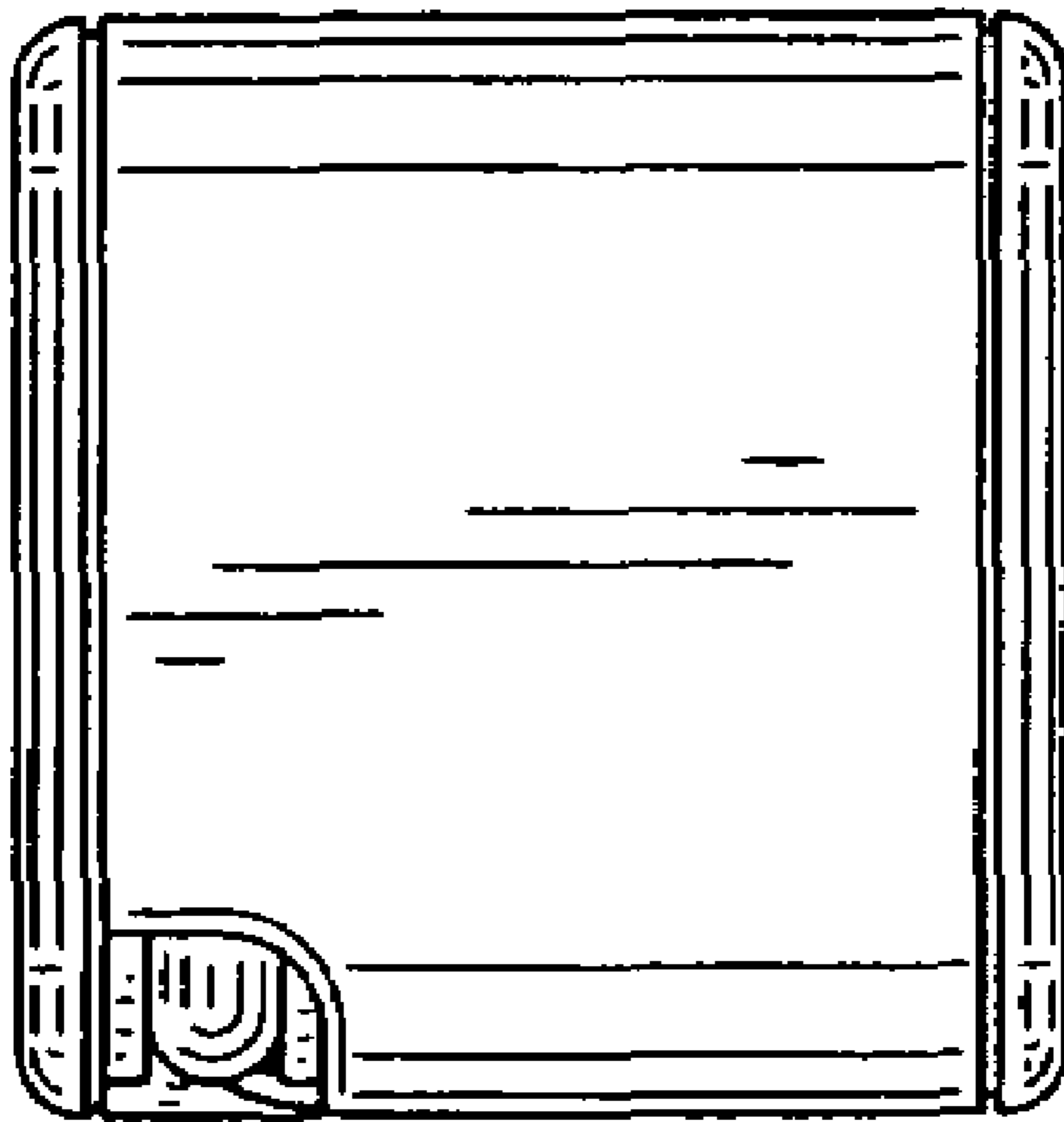


Fig.6

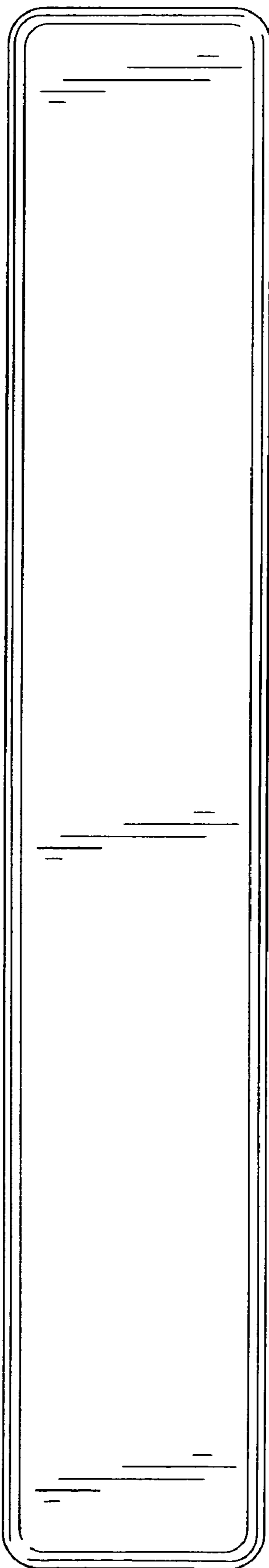


Fig. 7

