



US00D585021S

(12) **United States Design Patent**  
**Surette**

(10) **Patent No.:** **US D585,021 S**

(45) **Date of Patent:** **\*\* Jan. 20, 2009**

(54) **GAS RECOMBINATION CAP**

6,294,282 B1 \* 9/2001 Misra et al. .... 429/54  
D452,343 S \* 12/2001 Pan ..... D26/138

(75) Inventor: **John D. Surette**, Springhill (CA)

(73) Assignee: **Surette Battery Company Ltd.**,  
Springhill, Nova Scotia (CA)

(\*\*) Term: **14 Years**

(21) Appl. No.: **29/284,185**

(22) Filed: **Aug. 31, 2007**

(51) **LOC (9) Cl.** ..... **13-01**

(52) **U.S. Cl.** ..... **D13/119**

(58) **Field of Classification Search** ..... D13/119,  
D13/103, 118, 199; D9/453; D10/80; D12/197;  
D23/260, 262; 220/4.14, 86.1, 254, 288;  
429/53, 54, 57, 86, 96-100, 163, 176  
See application file for complete search history.

(56) **References Cited**

**U.S. PATENT DOCUMENTS**

3,717,275 A \* 2/1973 Willis ..... 215/329  
3,832,238 A \* 8/1974 Marui et al. .... 429/86  
D344,242 S \* 2/1994 Weise et al. .... D10/80  
D348,645 S \* 7/1994 Hitchcock et al. .... D12/197  
D362,900 S \* 10/1995 Miska ..... D23/260  
D397,320 S \* 8/1998 Hoagland, IV ..... D12/197  
5,908,130 A \* 6/1999 Chang ..... 220/254.4  
D418,811 S \* 1/2000 Bunyea et al. .... D13/119  
D422,255 S \* 4/2000 Gonzales ..... D12/197

**OTHER PUBLICATIONS**

Hydrocap-Recombination Vent Cap [online]. Retrieved from the internet Dec. 5, 2007. <http://www.4lots.com/browseproducts/Hydrocap---Recombination-Vent-Cap.HTML>.  
Bulletin 604, Hydrocap Brochure, Surette Battery Company Limited.

\* cited by examiner

*Primary Examiner*—Prabhakar Deshmukh

*Assistant Examiner*—Derrick Holland

(74) *Attorney, Agent, or Firm*—Hamilton, Brook, Smith & Reynolds, P.C.

(57) **CLAIM**

The ornamental design for gas recombination cap, as shown and described.

**DESCRIPTION**

FIG. 1 is a top perspective view of a gas recombination cap.

FIG. 2 is a bottom perspective view of a gas recombination cap.

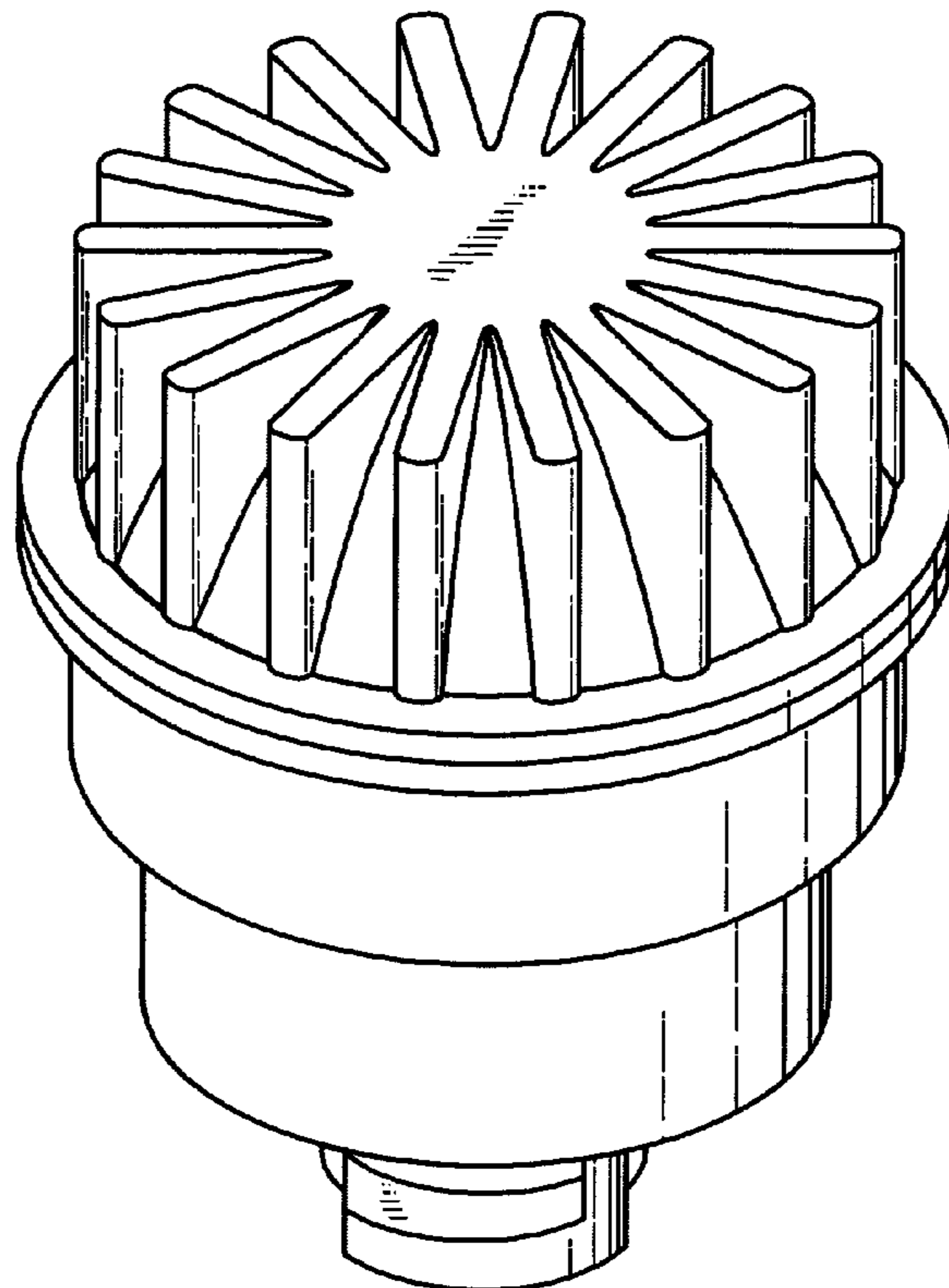
FIG. 3 is a front view of a gas recombination cap.

FIG. 4 is a side view of a gas recombination cap.

FIG. 5 is a top view of a gas recombination cap; and,

FIG. 6 is a bottom view of a gas recombination cap.

**1 Claim, 4 Drawing Sheets**



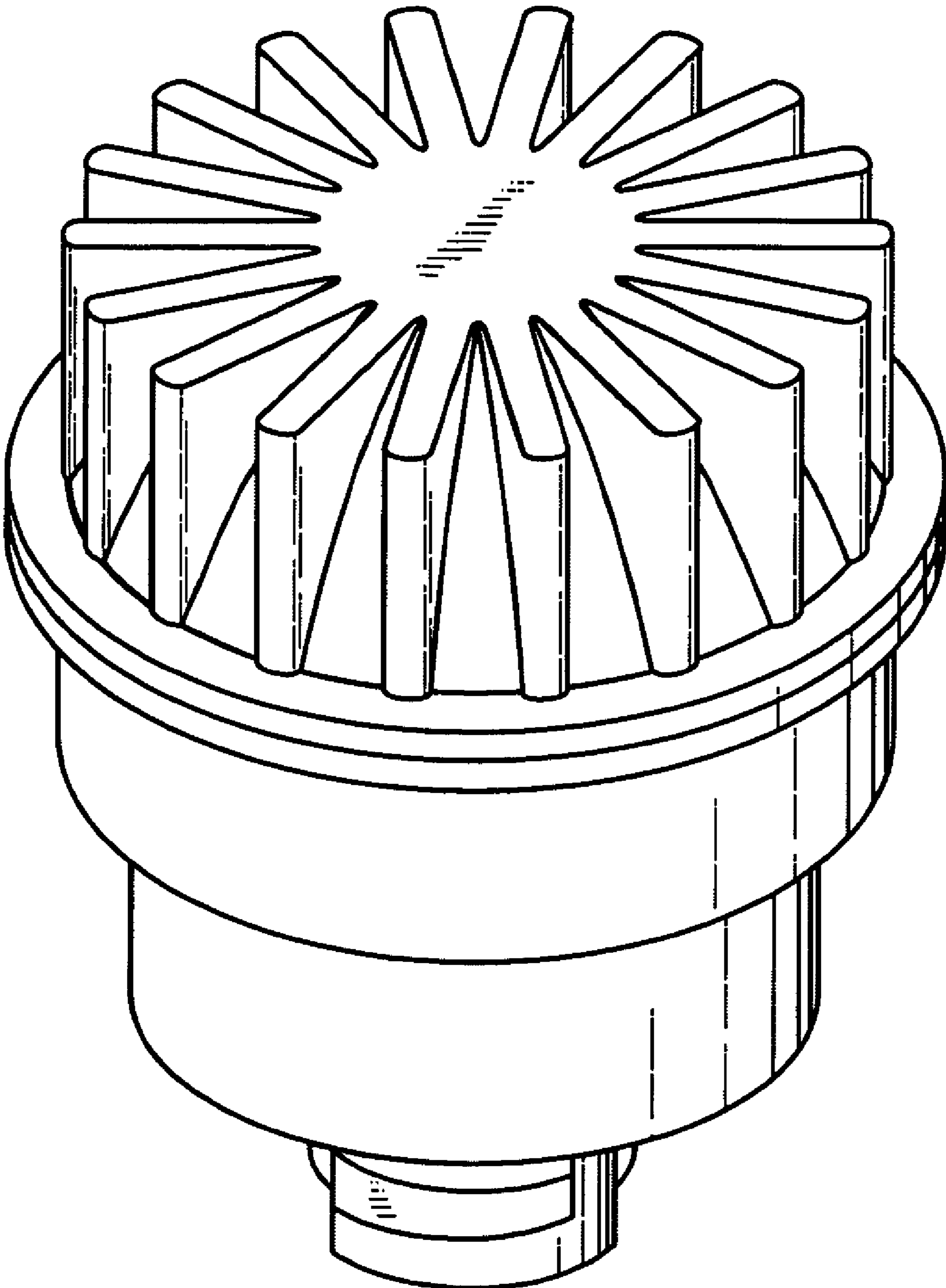


FIG. 1

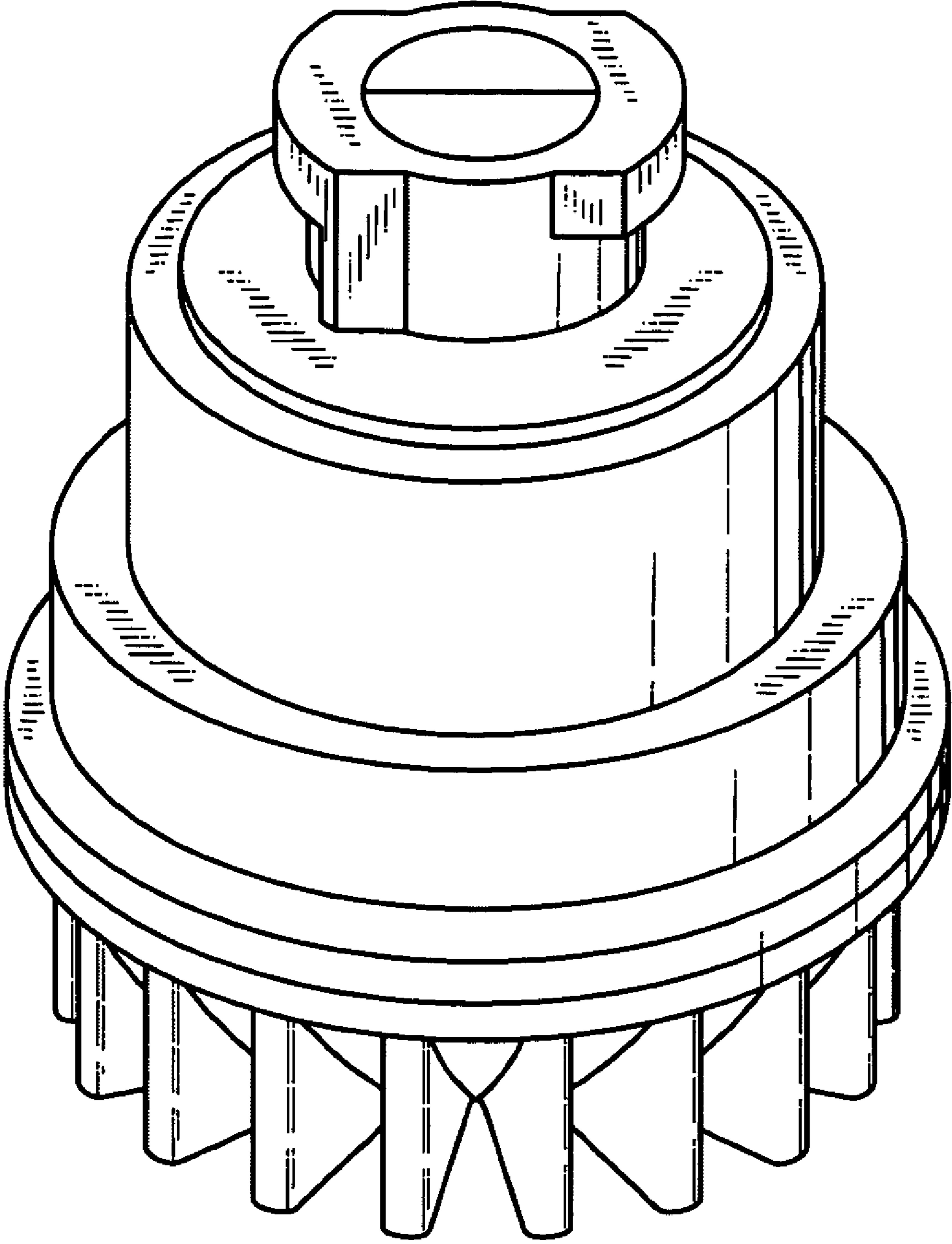


FIG. 2

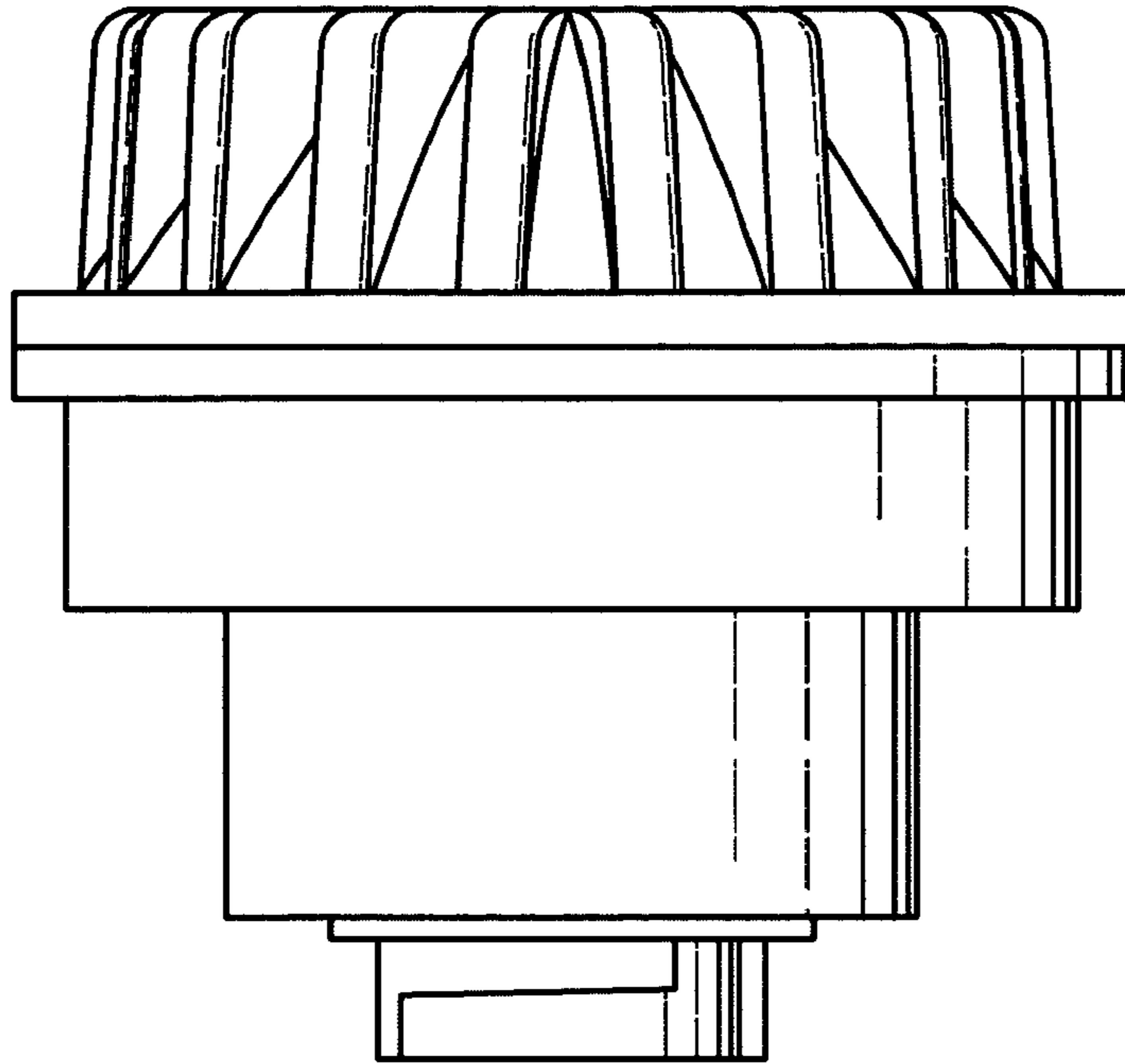


FIG. 3

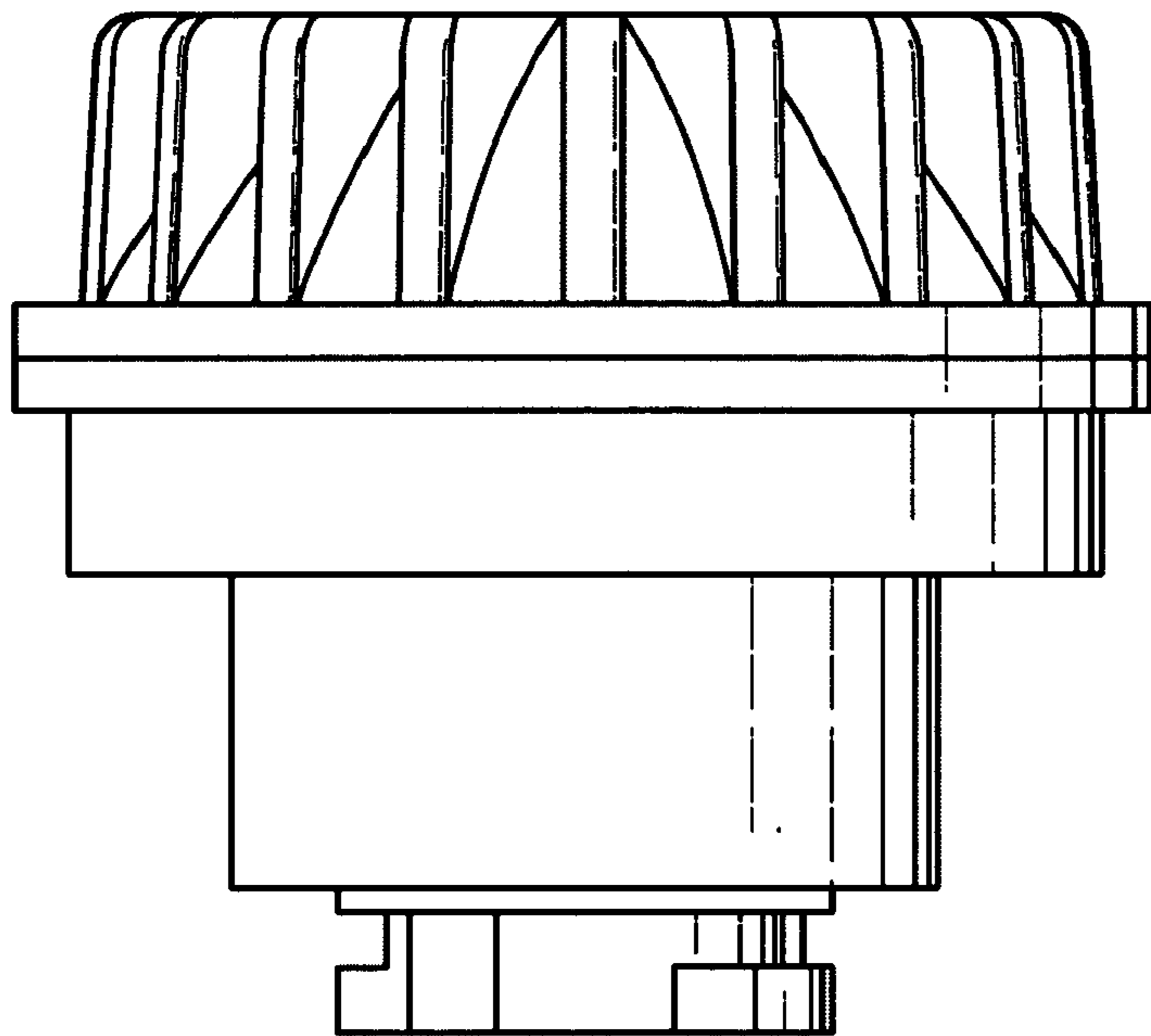


FIG. 4

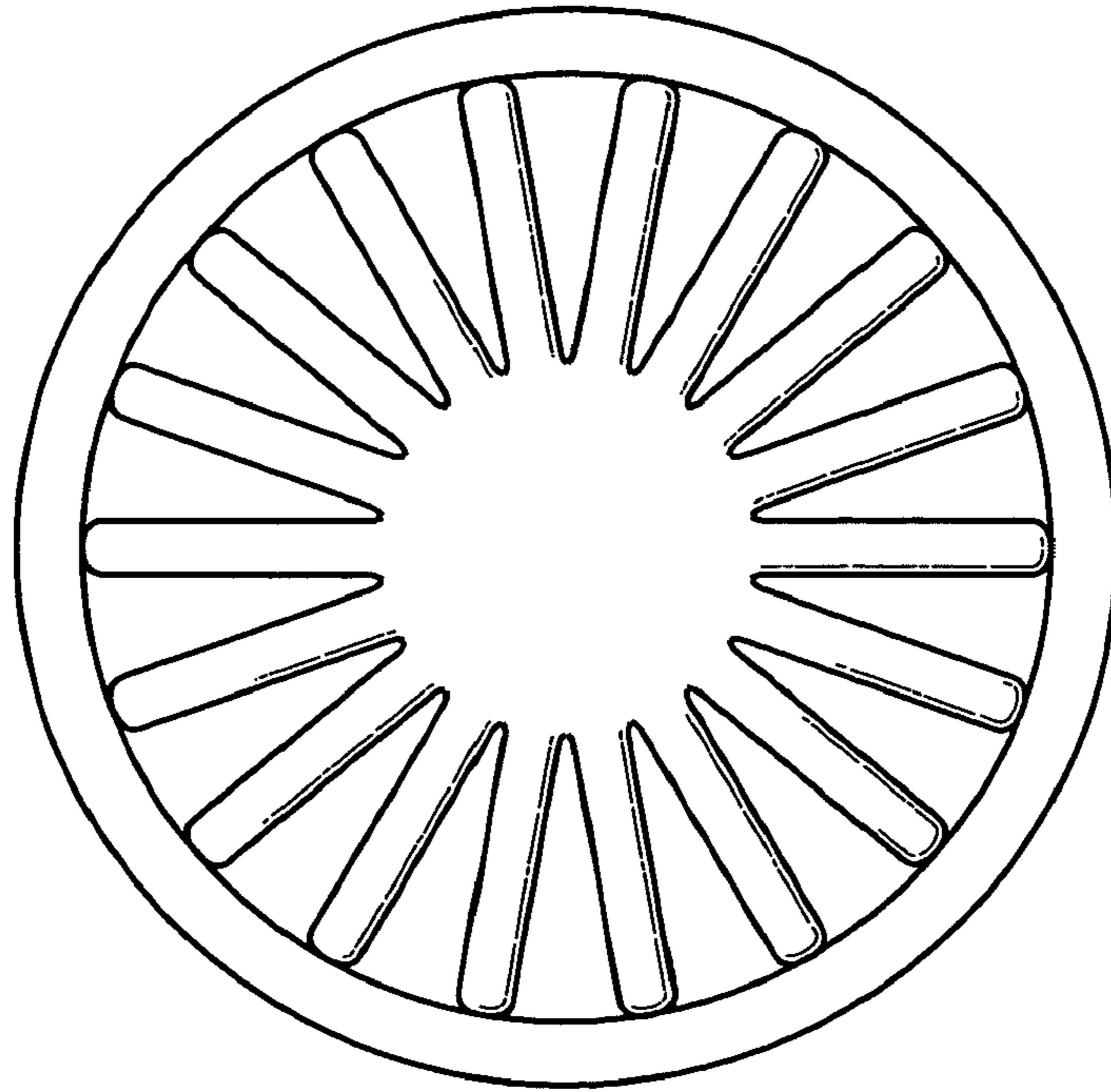


FIG. 5

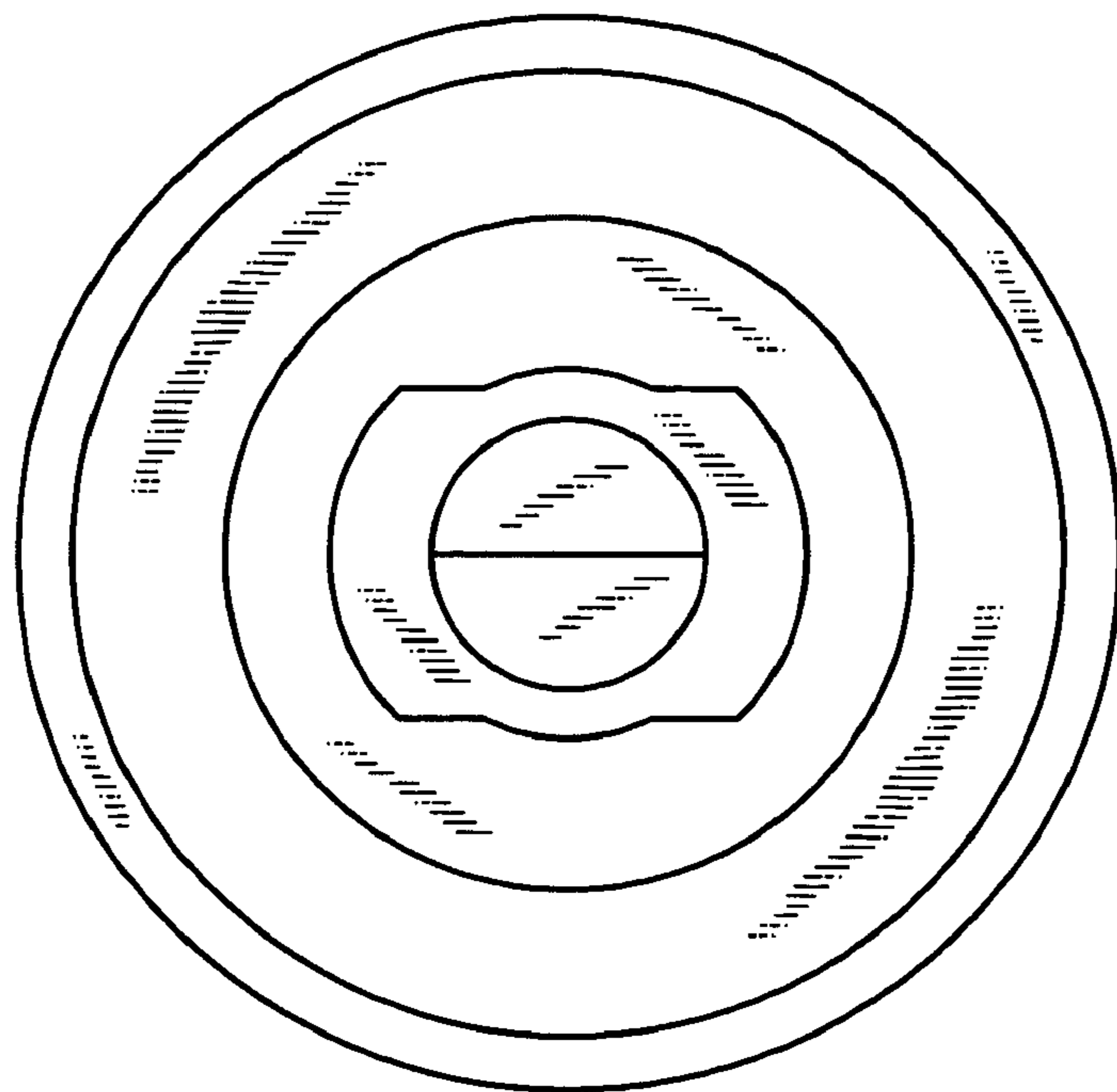


FIG. 6