



US00D585019S

(12) **United States Design Patent**  
**Moser et al.**

(10) **Patent No.:** **US D585,019 S**  
(45) **Date of Patent:** **\*\* Jan. 20, 2009**

(54) **BATTERY PACK**

(76) Inventors: **John Moser**, 5239 E. Waltann La.,  
Scottsdale, AZ (US) 85254; **James**  
**Girard**, 106 N. 6th St., Suite 207, Boise,  
ID (US) 83702

(\*\*) Term: **14 Years**

(21) Appl. No.: **29/296,807**

(22) Filed: **Oct. 29, 2007**

(51) **LOC (9) Cl.** ..... **13-02**

(52) **U.S. Cl.** ..... **D13/103**

(58) **Field of Classification Search** ..... D13/102–106,  
D13/110, 118–119, 184; 429/96–100, 163,  
429/176

See application file for complete search history.

(56) **References Cited**

**U.S. PATENT DOCUMENTS**

D283,888 S *	5/1986	Claxton et al. ....	D13/103
D300,132 S *	3/1989	Culbertson et al. ....	D13/103
D346,584 S *	5/1994	Taniguchi .....	D13/119
D348,044 S *	6/1994	Alexandres et al. ....	D13/103
D349,094 S *	7/1994	Alexandres et al. ....	D13/103
D368,316 S *	3/1996	Jansson .....	D26/39
D379,795 S *	6/1997	Pitzen et al. ....	D13/103
D390,187 S *	2/1998	Urvoy .....	D13/103

D400,493 S *	11/1998	Witkowski et al. ....	D13/103
D412,153 S *	7/1999	Chen .....	D13/103
6,007,941 A *	12/1999	Hermann et al. ....	429/99
D488,138 S *	4/2004	Parsadayan et al. ....	D13/184
D568,240 S *	5/2008	Haydvoegel .....	D13/103

\* cited by examiner

*Primary Examiner*—Jennifer Rivard

*Assistant Examiner*—Rosemary K Tarcza

(74) *Attorney, Agent, or Firm*—Michael C. Cesarano;  
Feldman Gale, P.A.

(57) **CLAIM**

We claim the ornamental design for the battery pack, as shown.

**DESCRIPTION**

FIG. 1 is a rear perspective view of the battery pack

FIG. 2 is a top plan view of the battery pack

FIG. 3 is a front perspective view of the battery pack

FIG. 4 is a bottom plan view of the battery pack

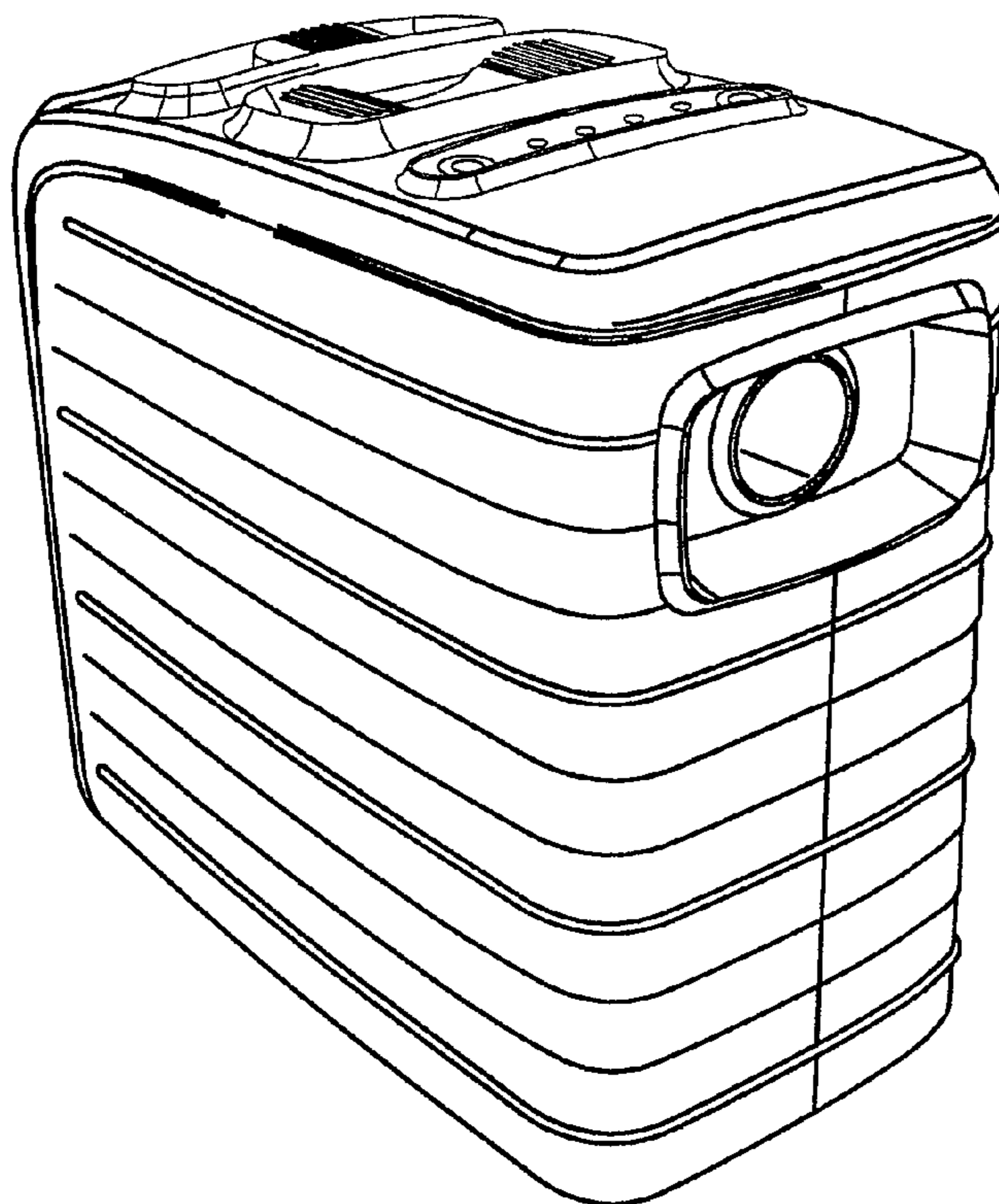
FIG. 5 is a left elevational view of the battery pack

FIG. 6 is a rear elevational view of the battery pack

FIG. 7 is a right elevational view of the battery pack; and,

FIG. 8 is a front elevational view of the battery pack.

**1 Claim, 8 Drawing Sheets**



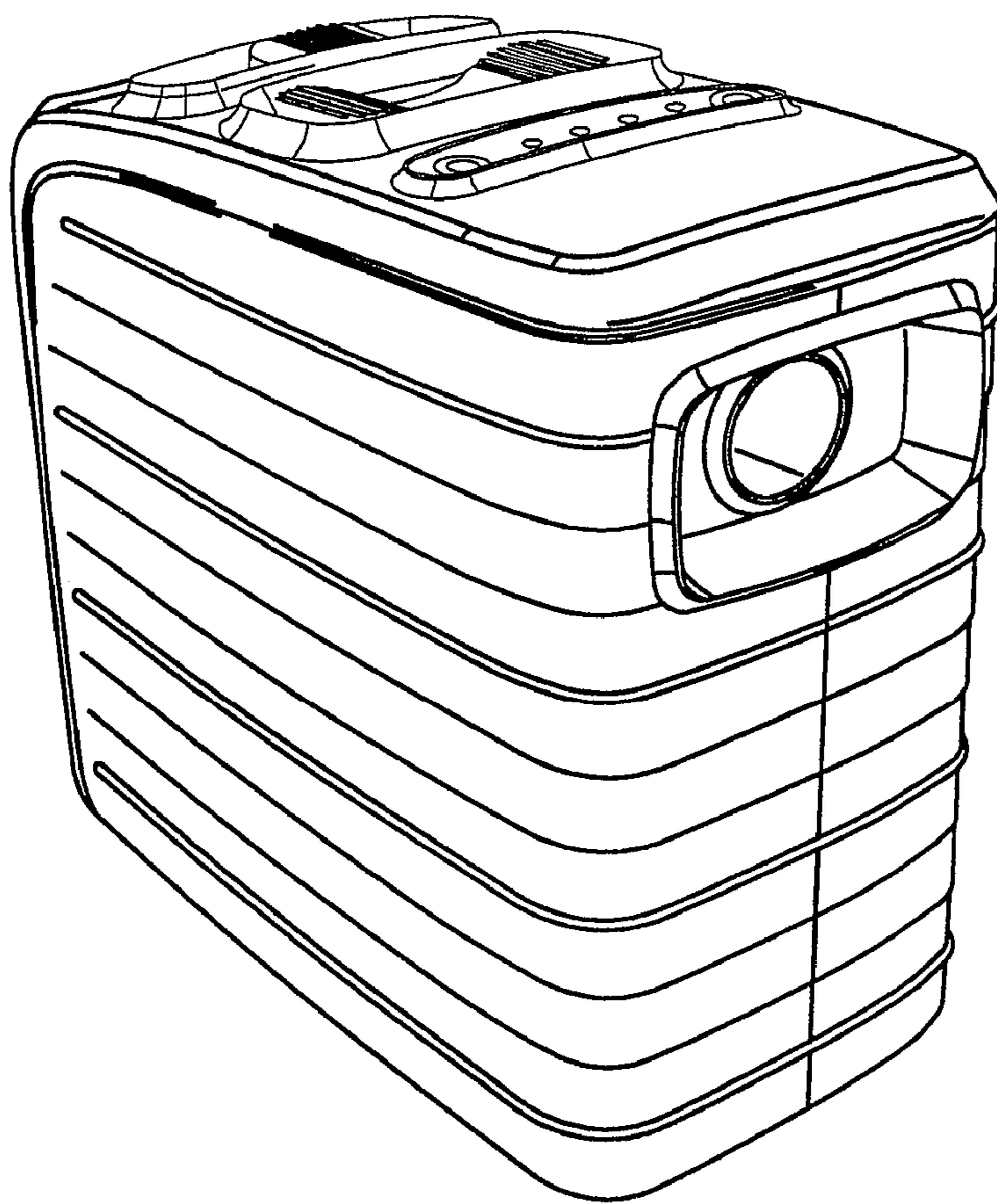


FIG. 1

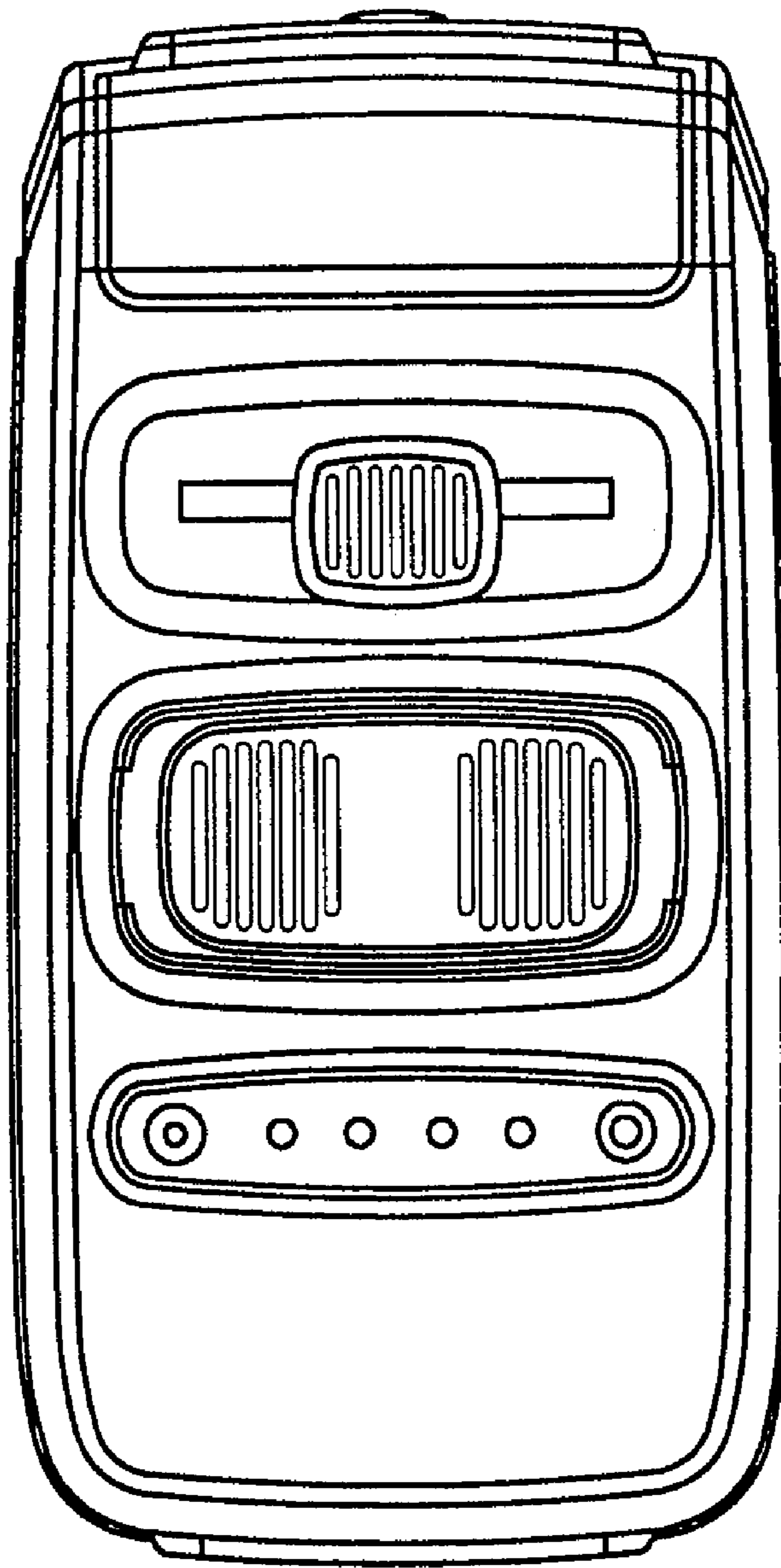


FIG. 2

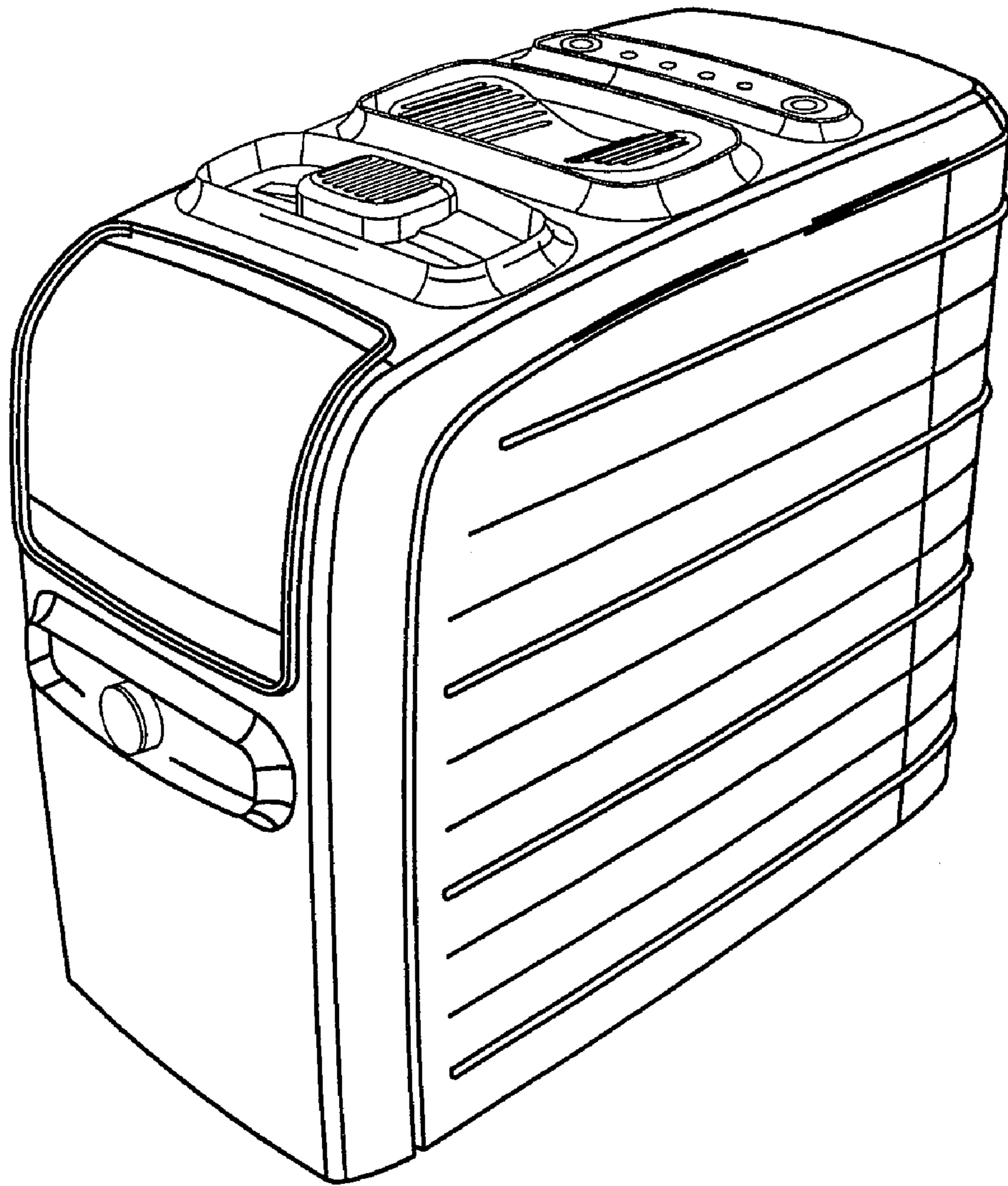


FIG. 3

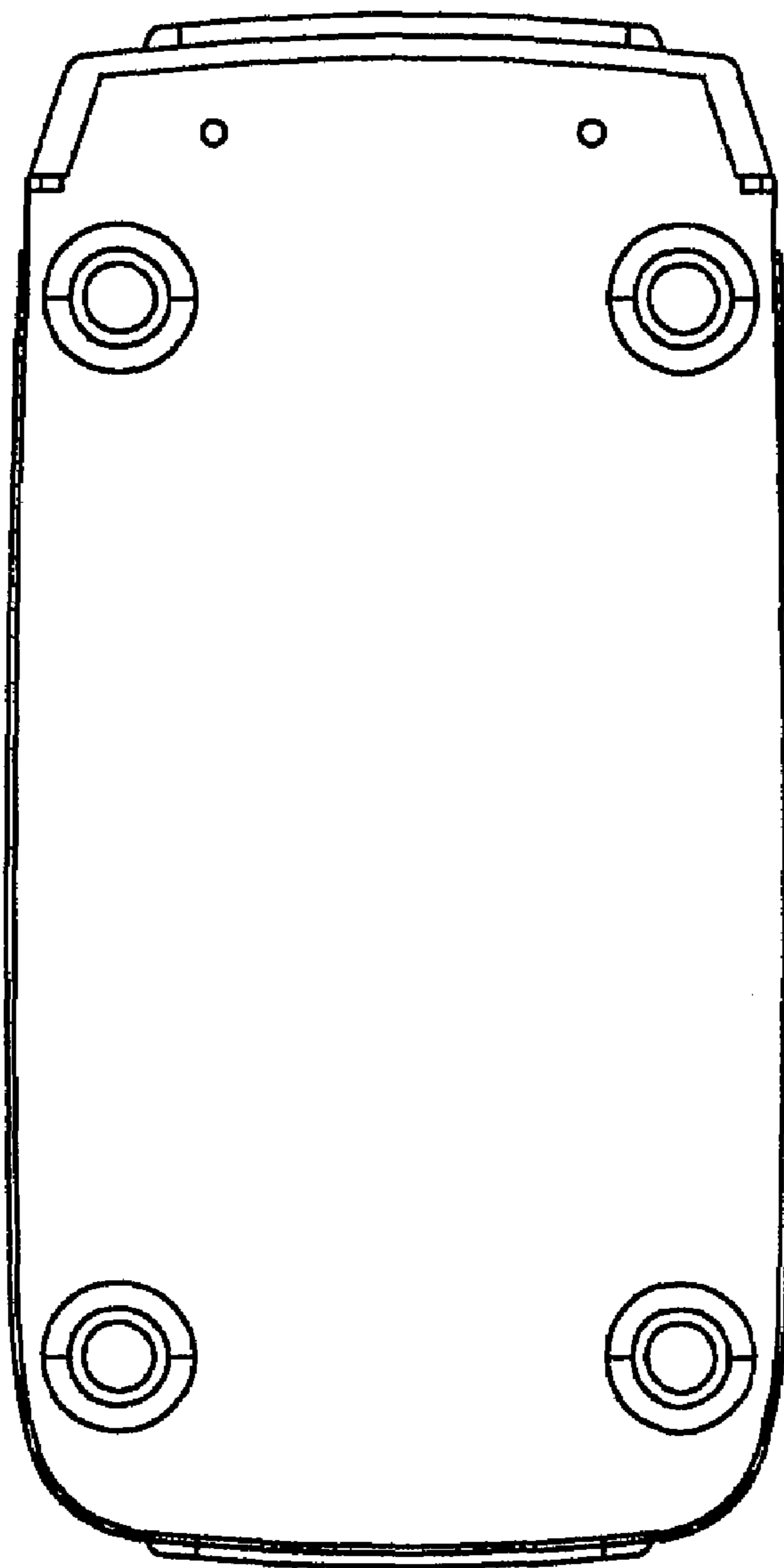


FIG. 4



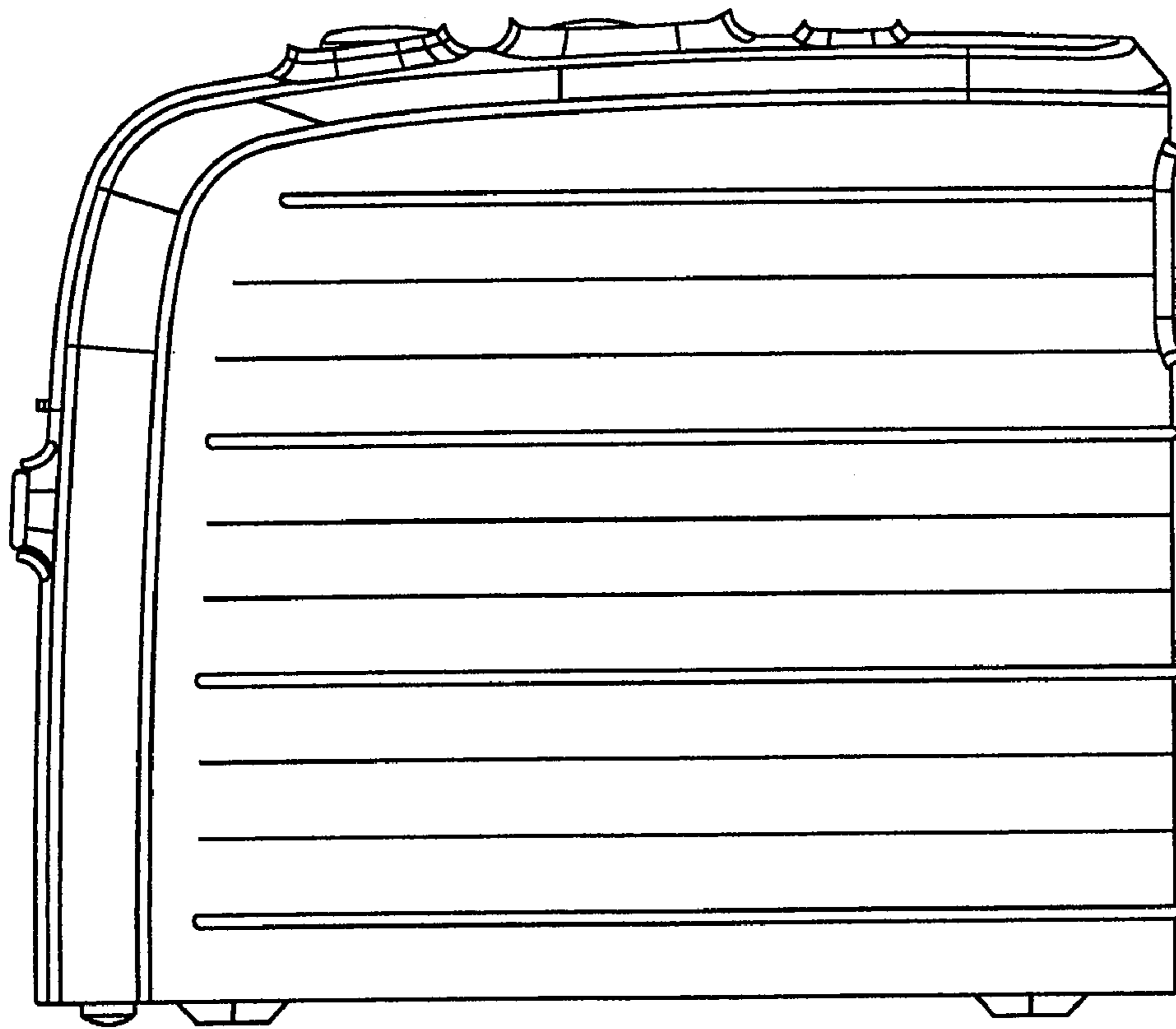


FIG. 5

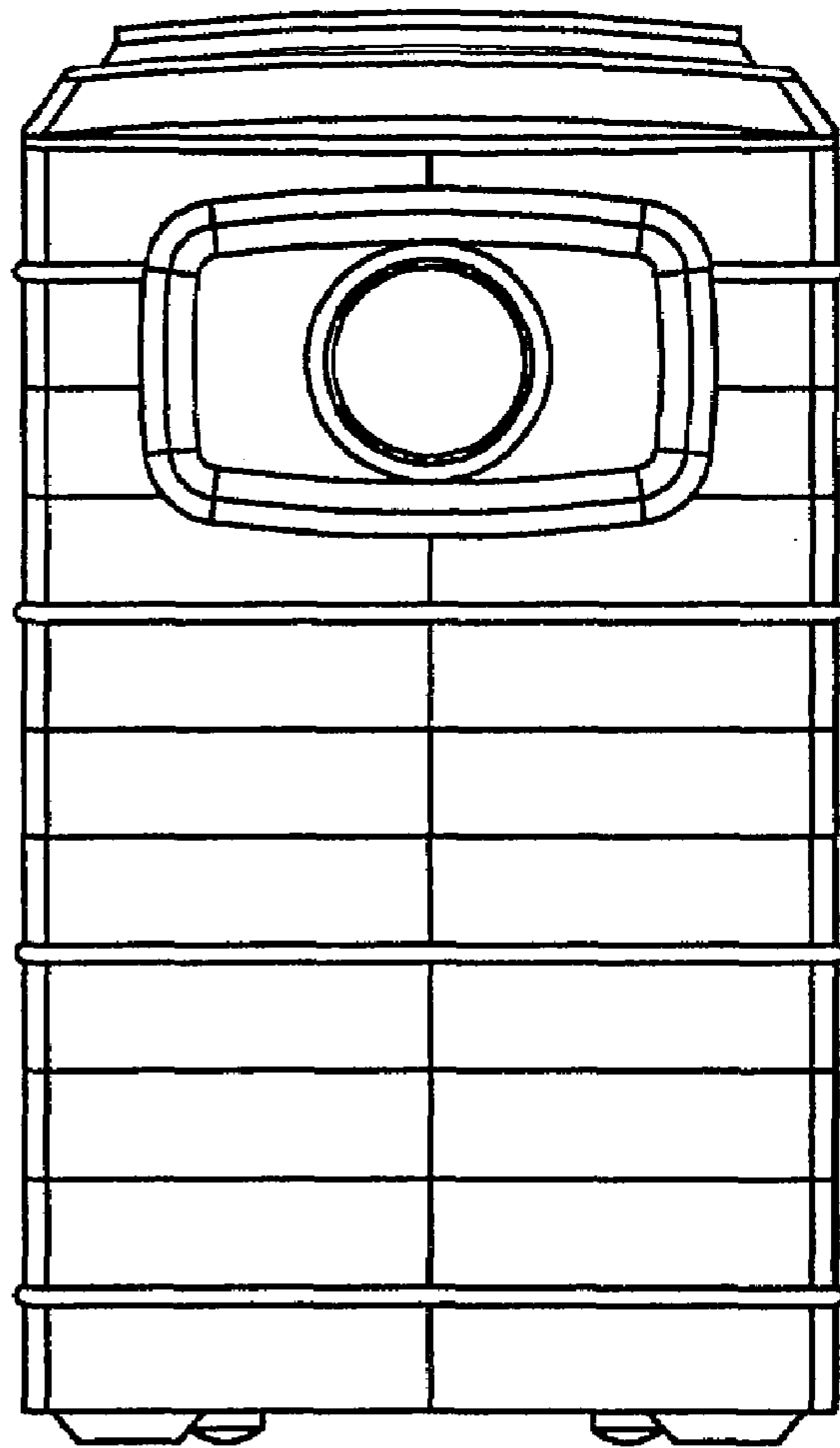


FIG. 6

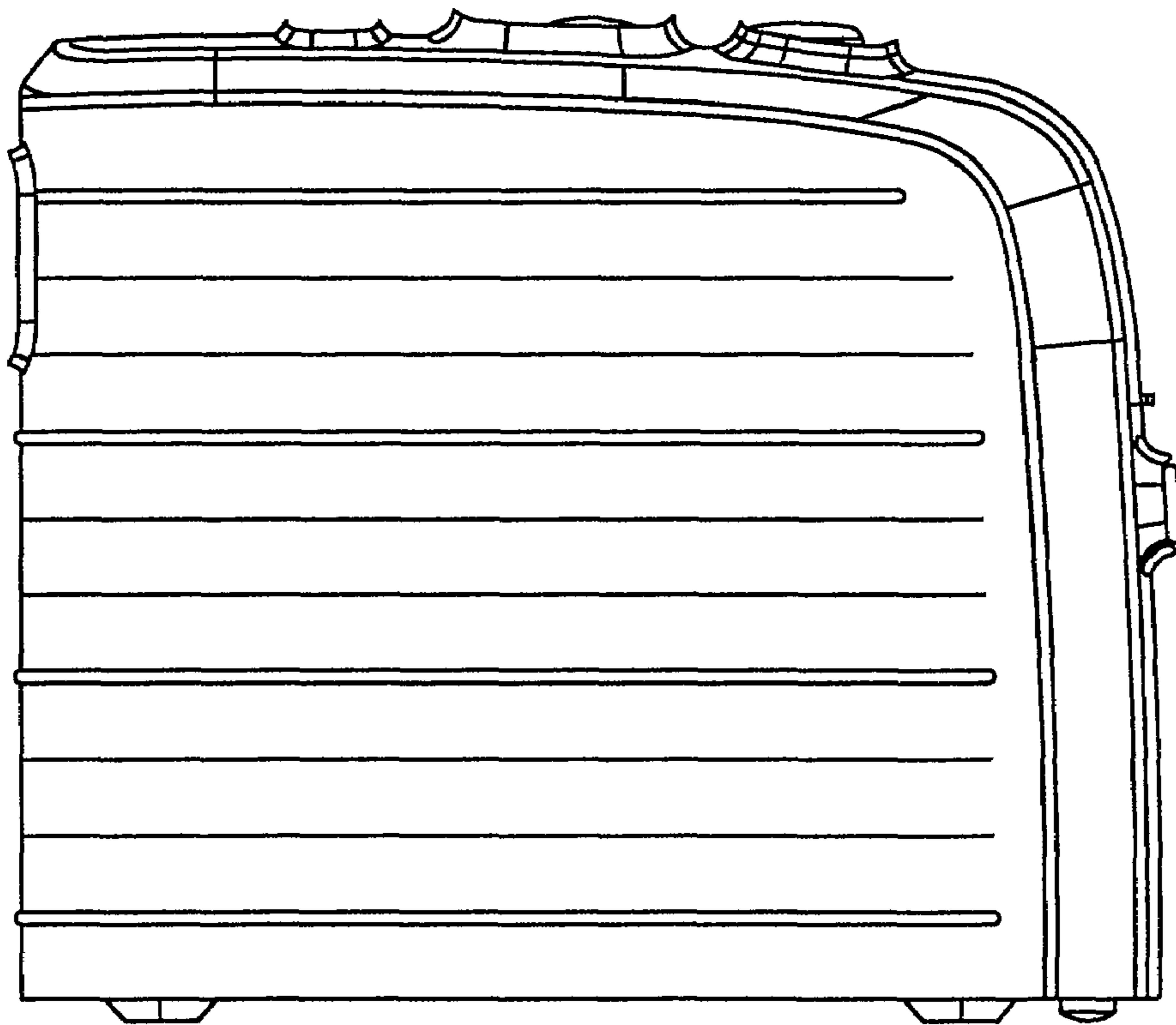


FIG. 7



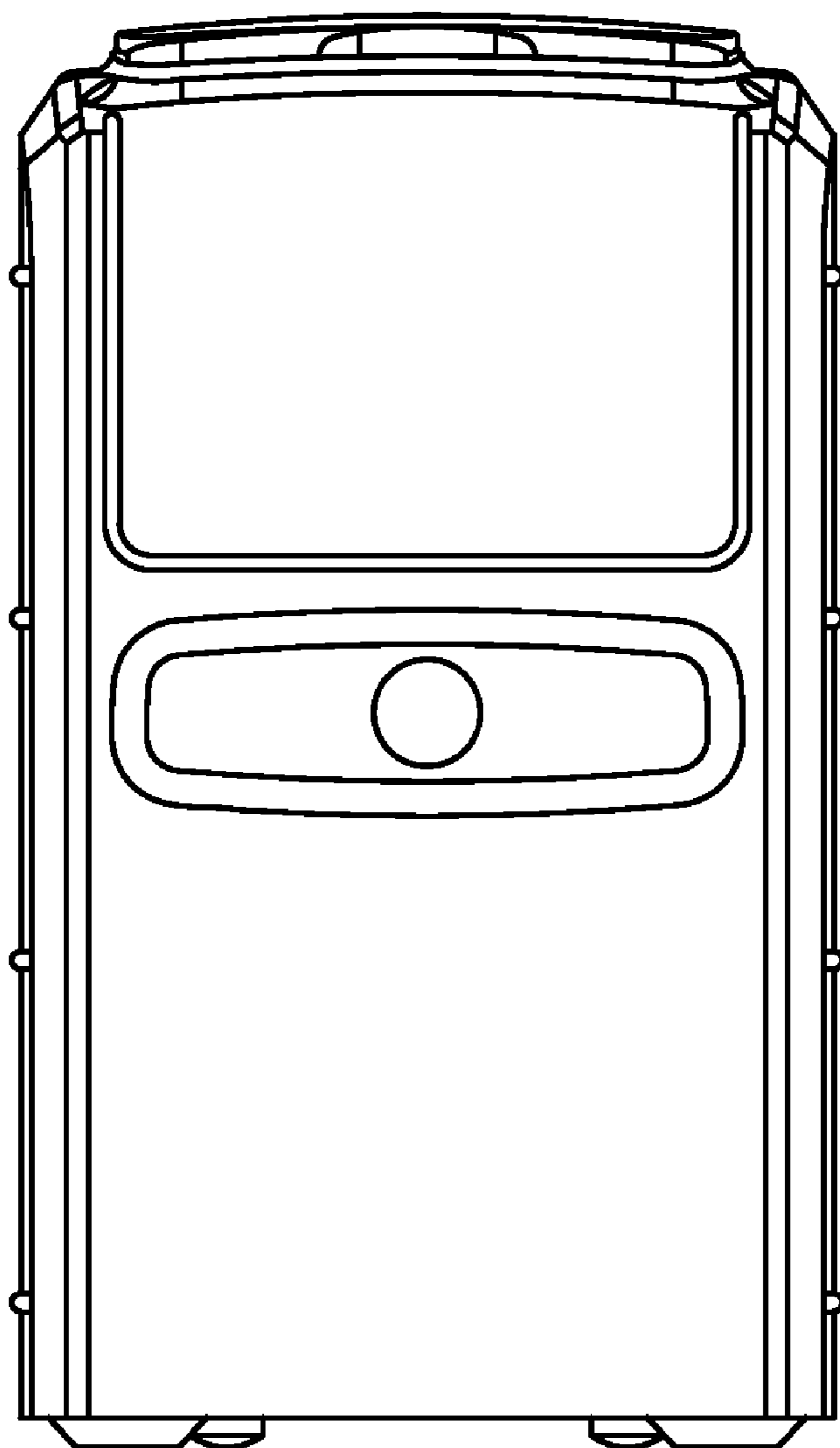


FIG. 8