



US00D585016S

(12) **United States Design Patent**
Weimer et al.

(10) **Patent No.:** **US D585,016 S**
(45) **Date of Patent:** **** Jan. 20, 2009**

(54) **TIRE SIDEWALL**
(75) Inventors: **Andrew Frederick Weimer**, Akron, OH (US); **Jonathan James Shondel**, Massillon, OH (US)

(73) Assignee: **The Goodyear Tire & Rubber Company**, Akron, OH (US)

(**) Term: **14 Years**

(21) Appl. No.: **29/322,724**

(22) Filed: **Aug. 11, 2008**

(51) **LOC (9) Cl.** **12-15**

(52) **U.S. Cl.** **D12/605**

(58) **Field of Classification Search** D12/500-501, D12/544, 579, 600, 605; 152/523-524, DIG. 12, 152/555

See application file for complete search history.

(56) **References Cited**

U.S. PATENT DOCUMENTS

D373,751 S	9/1996	Barrese	D12/152
D385,834 S	11/1997	Ratliff, Jr.	D12/152
D450,034 S	11/2001	Kajikawa	D12/15
D492,648 S	7/2004	Maxwell et al.	D12/15
D500,013 S	12/2004	Maxwell et al.	D12/15
D503,146 S	* 3/2005	Maxwell et al.	D12/605

D506,435 S	6/2005	Maxwell et al.	D12/15
D517,003 S	3/2006	Shondel	D12/605
D540,740 S	4/2007	Maxwell et al.	D12/605
D542,219 S	* 5/2007	Shondel et al.	D12/605
D547,261 S	* 7/2007	Shondel et al.	D12/605
D550,149 S	9/2007	Shondel	D12/605
D552,536 S	* 10/2007	Shondel	D12/605
D561,089 S	* 2/2008	Maxwell	D12/605

* cited by examiner

Primary Examiner—Stacia Cadmus

(74) *Attorney, Agent, or Firm*—Richard B. O’Planick

(57) **CLAIM**

The ornamental design for a tire sidewall, as shown and described.

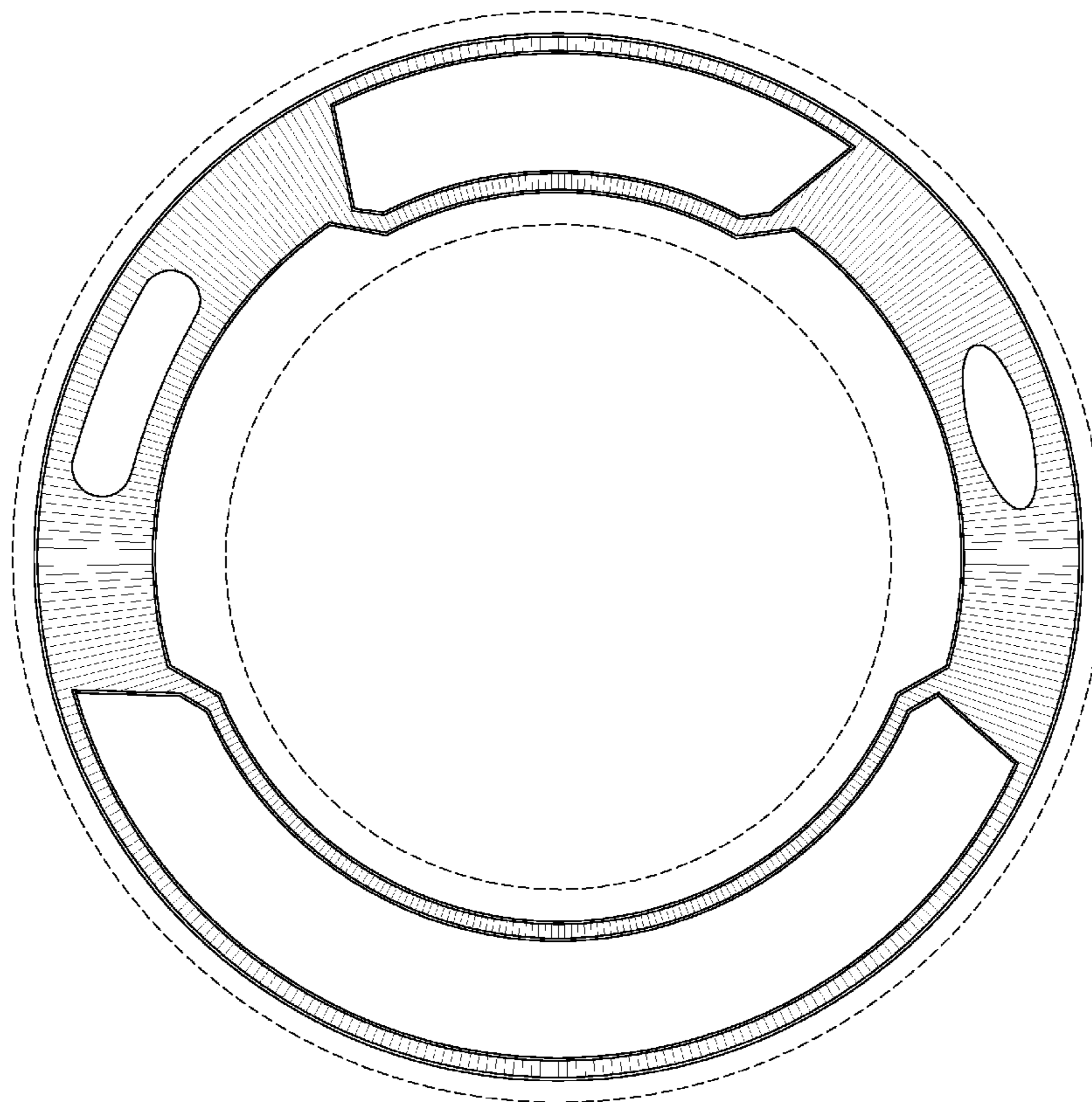
DESCRIPTION

FIG. 1 is a front elevational view of a tire sidewall showing our new design; and,

FIG. 2 is a front elevational view of a second embodiment thereof showing the disclaimed portions of FIG. 1 in solid lines.

In the drawings, the broken lines defining the sidewall, inner bead and the peripheral boundary between the claimed tire tread and the unclaimed sidewall depict environmental subject matter that forms no part of the claimed design.

1 Claim, 2 Drawing Sheets



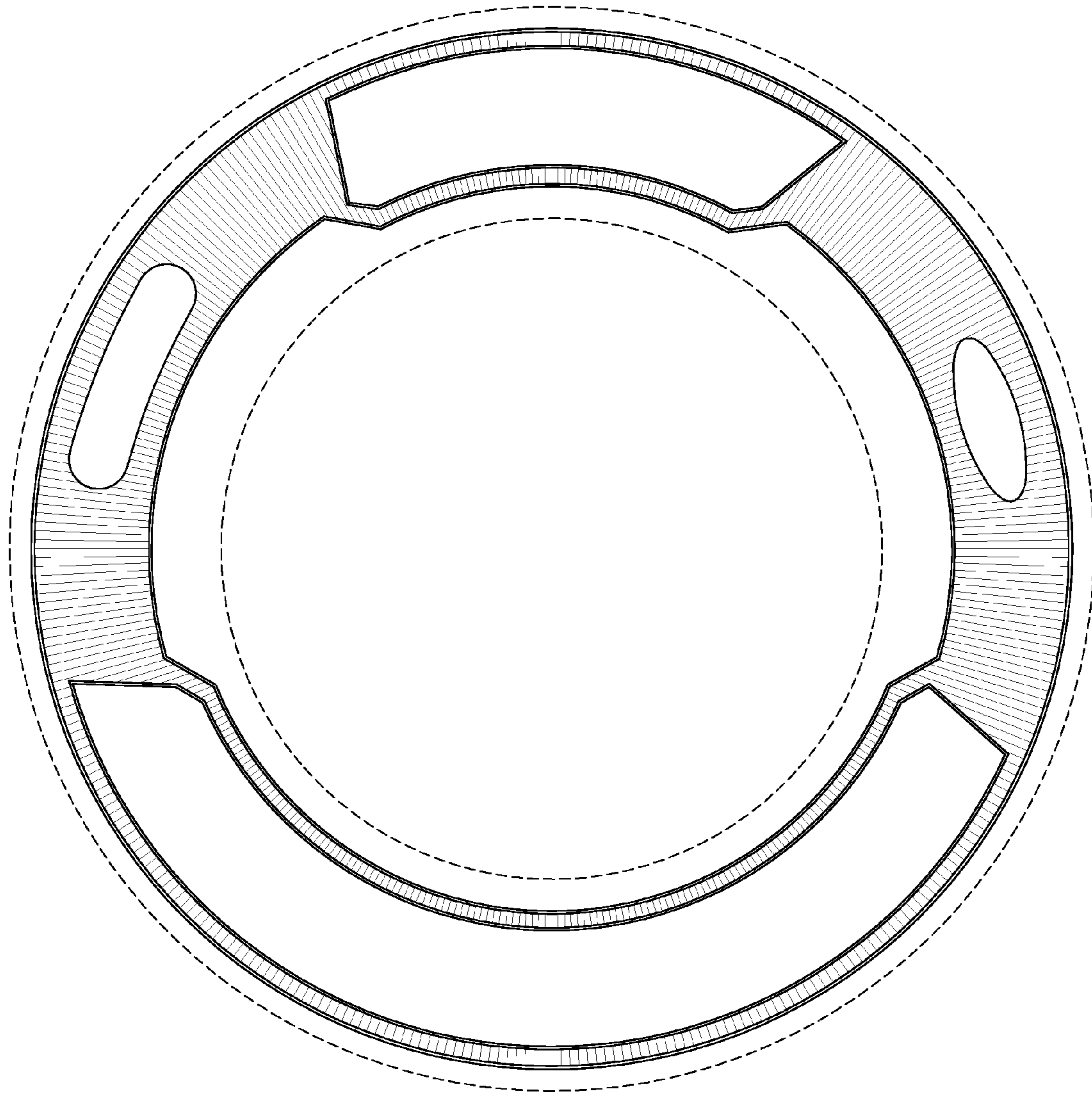


FIG-1

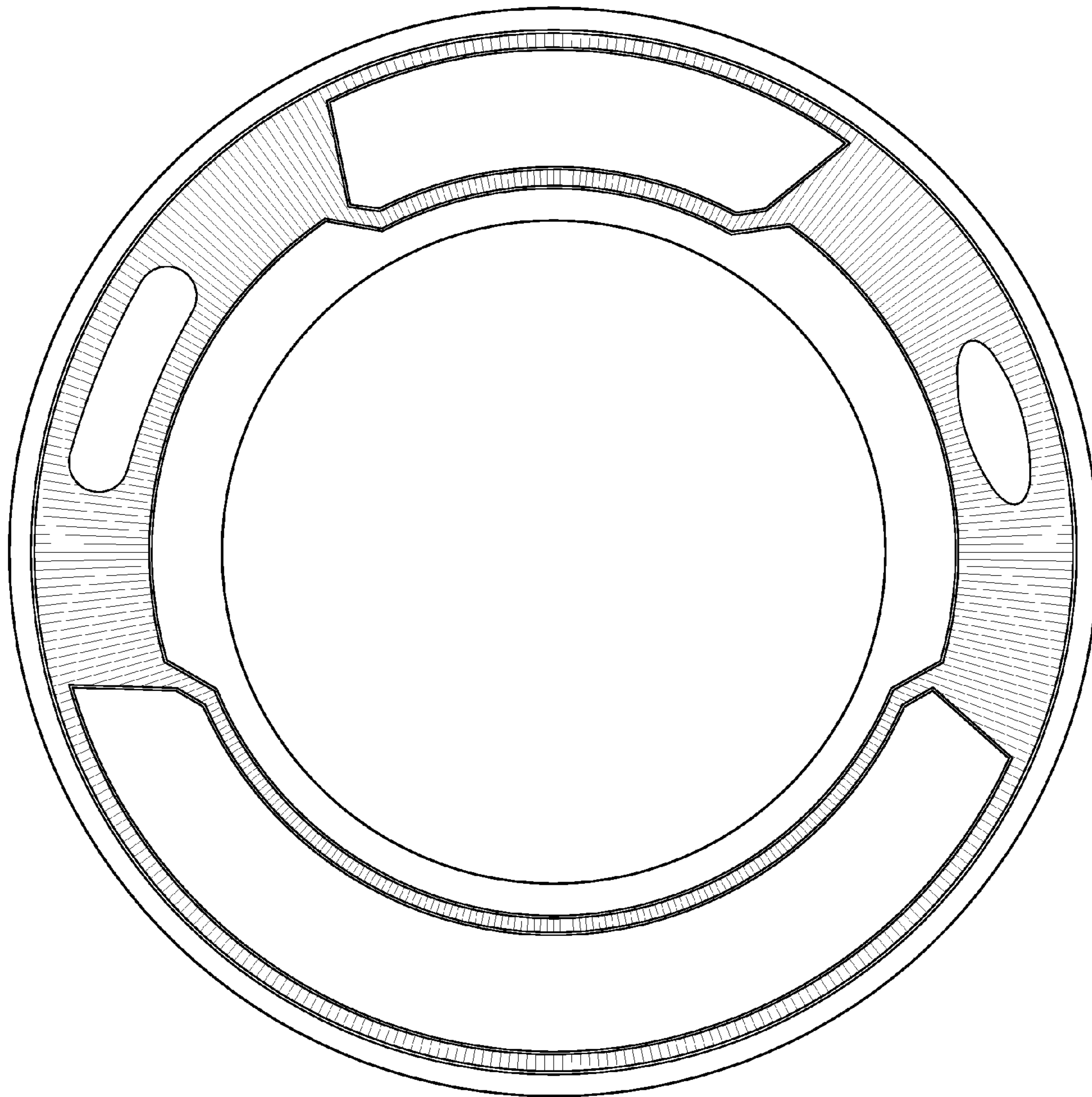


FIG-2