



US00D585013S

(12) **United States Design Patent**
Schmid et al.

(10) **Patent No.:** **US D585,013 S**
(45) **Date of Patent:** **** Jan. 20, 2009**

(54) **THROTTLE FOR A WATERCRAFT**

(75) Inventors: **Juergen Schmid**, Ammerbuch (DE);
Harald Brielmayer-Pomino, Markdorf
(DE)

(73) Assignee: **MTU Friedrichshafen GmbH**,
Friedrichshafen (DE)

(**) Term: **14 Years**

(21) Appl. No.: **29/305,729**

(22) Filed: **Mar. 27, 2008**

(30) **Foreign Application Priority Data**

Sep. 27, 2007 (DE) 4 07 04 859

(51) **LOC (9) Cl.** **12-06**

(52) **U.S. Cl.** **D12/317**

(58) **Field of Classification Search** D12/300,
D12/301, 303–315, 317, 318, 174, 178–180;
D13/162, 134, 168, 169, 173; D10/15, 18,
D10/47, 49; 74/469, 473, 473.12, 473.19,
74/473.2, 480 B, 491; 440/84–87; D18/51;
D14/218

See application file for complete search history.

(56) **References Cited**

U.S. PATENT DOCUMENTS

D304,304 S * 10/1989 Charet et al. D10/15
D337,588 S * 7/1993 Cruz et al. D14/218

D352,506 S * 11/1994 Kawamoto et al. D14/218
D365,104 S * 12/1995 Ko D14/218
D370,448 S * 6/1996 McCoy et al. D12/180
D406,141 S * 2/1999 Hill D14/218
D412,125 S * 7/1999 Couch et al. D10/49
D453,010 S * 1/2002 Schweer D12/174
D465,802 S * 11/2002 Maniura et al. D18/51
D546,781 S * 7/2007 Marchetto et al. D13/168
D552,040 S * 10/2007 Girard D13/162
D562,745 S * 2/2008 Schowalter D12/179

* cited by examiner

Primary Examiner—Holly H Baynham

Assistant Examiner—Cynthia M Chin

(74) *Attorney, Agent, or Firm*—Burr & Brown

(57) **CLAIM**

The ornamental design for a throttle for a watercraft, as shown and described.

DESCRIPTION

FIG. 1 is front perspective view of a throttle for a watercraft illustrating our new design;

FIG. 2 a front elevational view thereof;

FIG. 3 is a rear elevational view thereof;

FIG. 4 is a right side elevational view thereof;

FIG. 5 is a left side elevational view thereof;

FIG. 6 is a top plan view thereof; and,

FIG. 7 is a bottom plan view thereof.

1 Claim, 4 Drawing Sheets

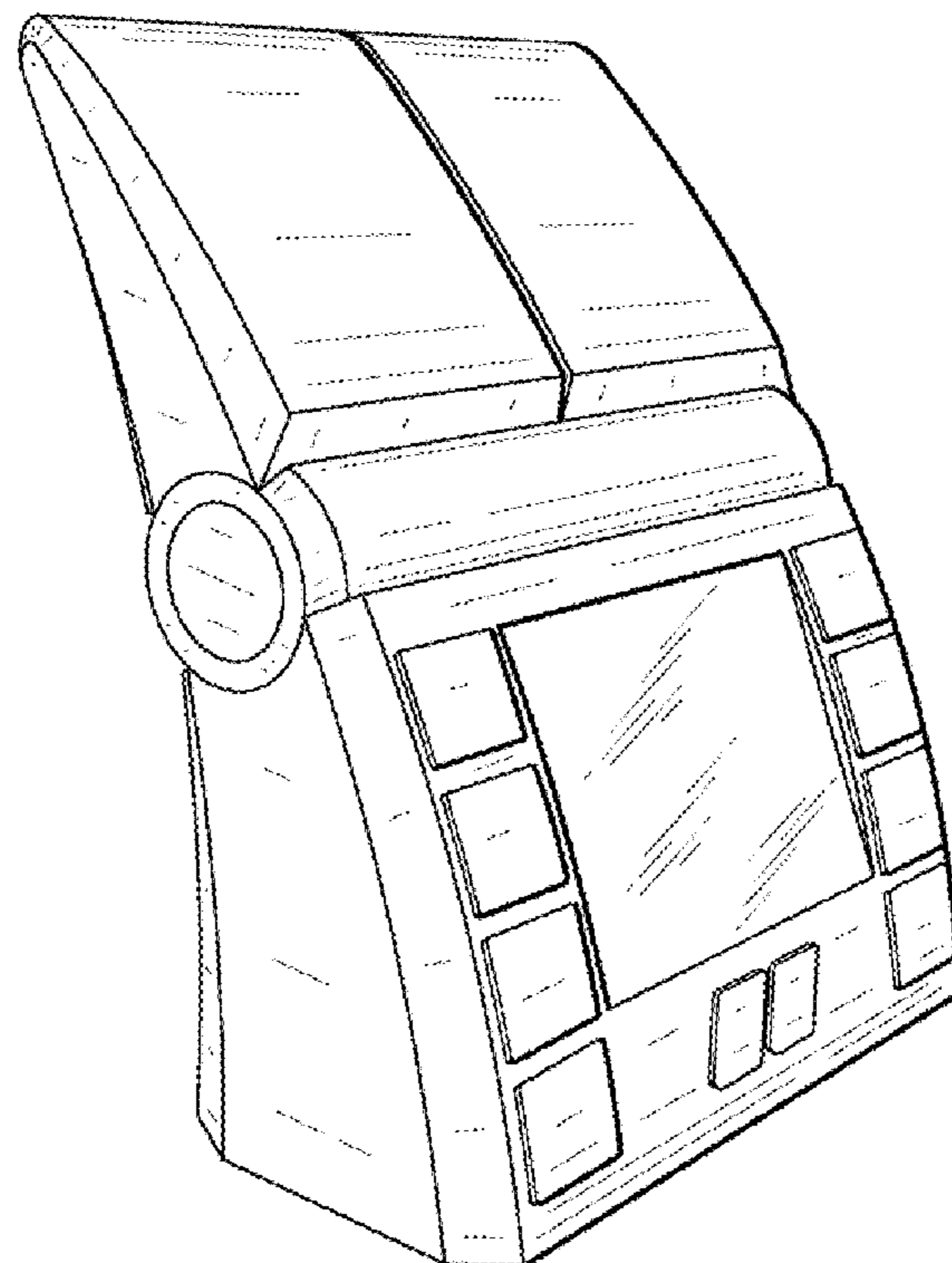


FIG. 1

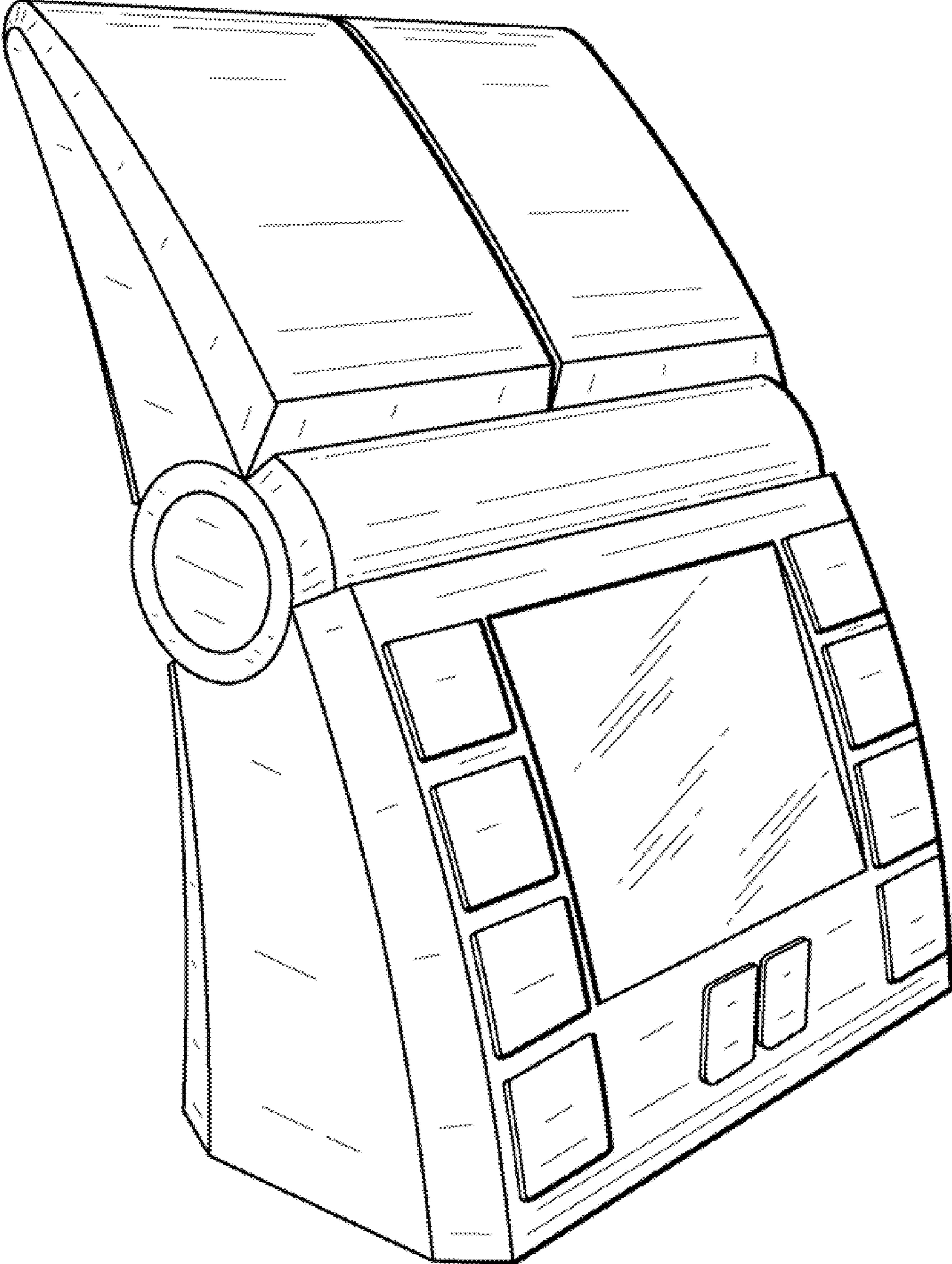


FIG. 2



FIG. 3

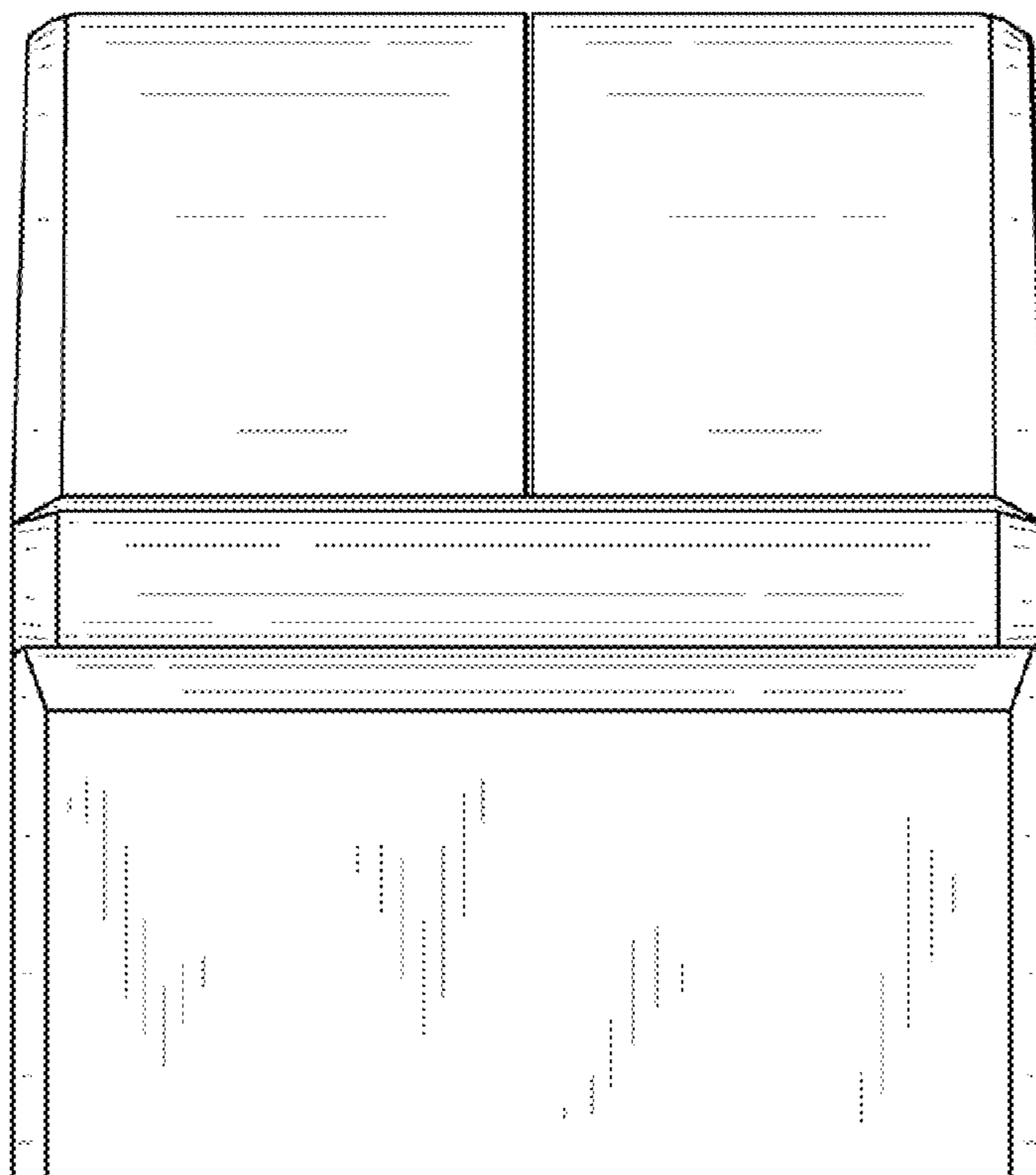


FIG. 4

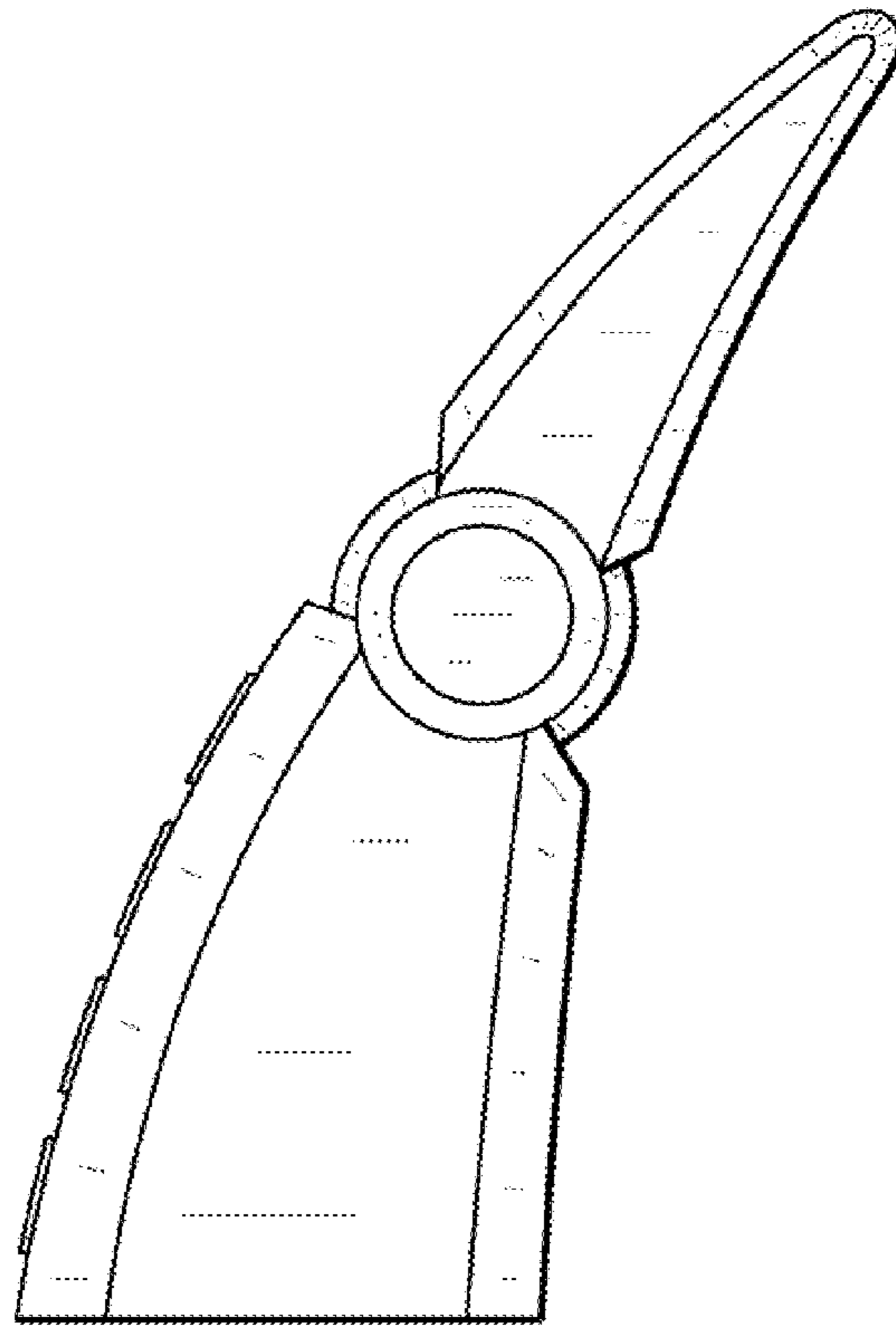


FIG. 5

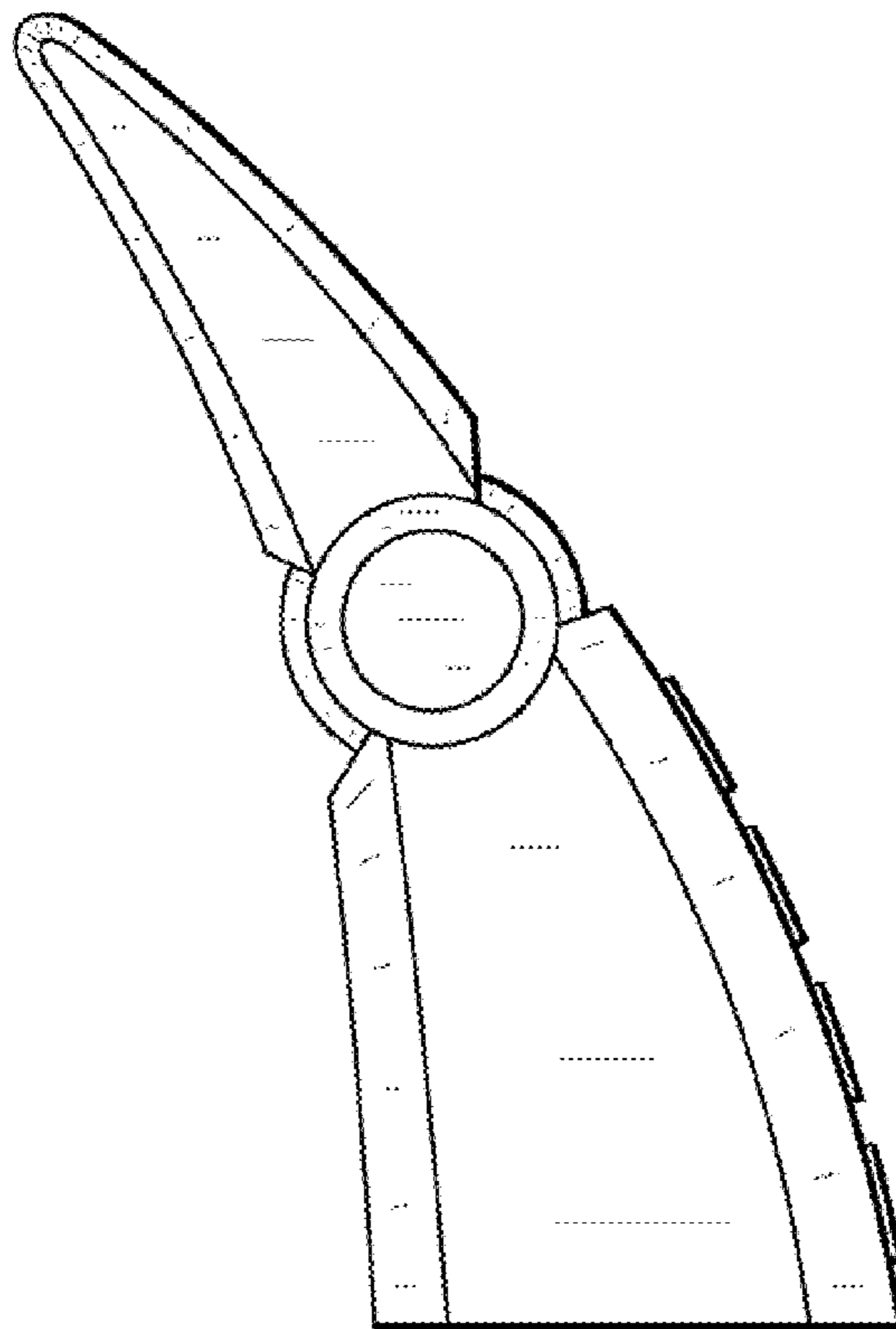


FIG. 6

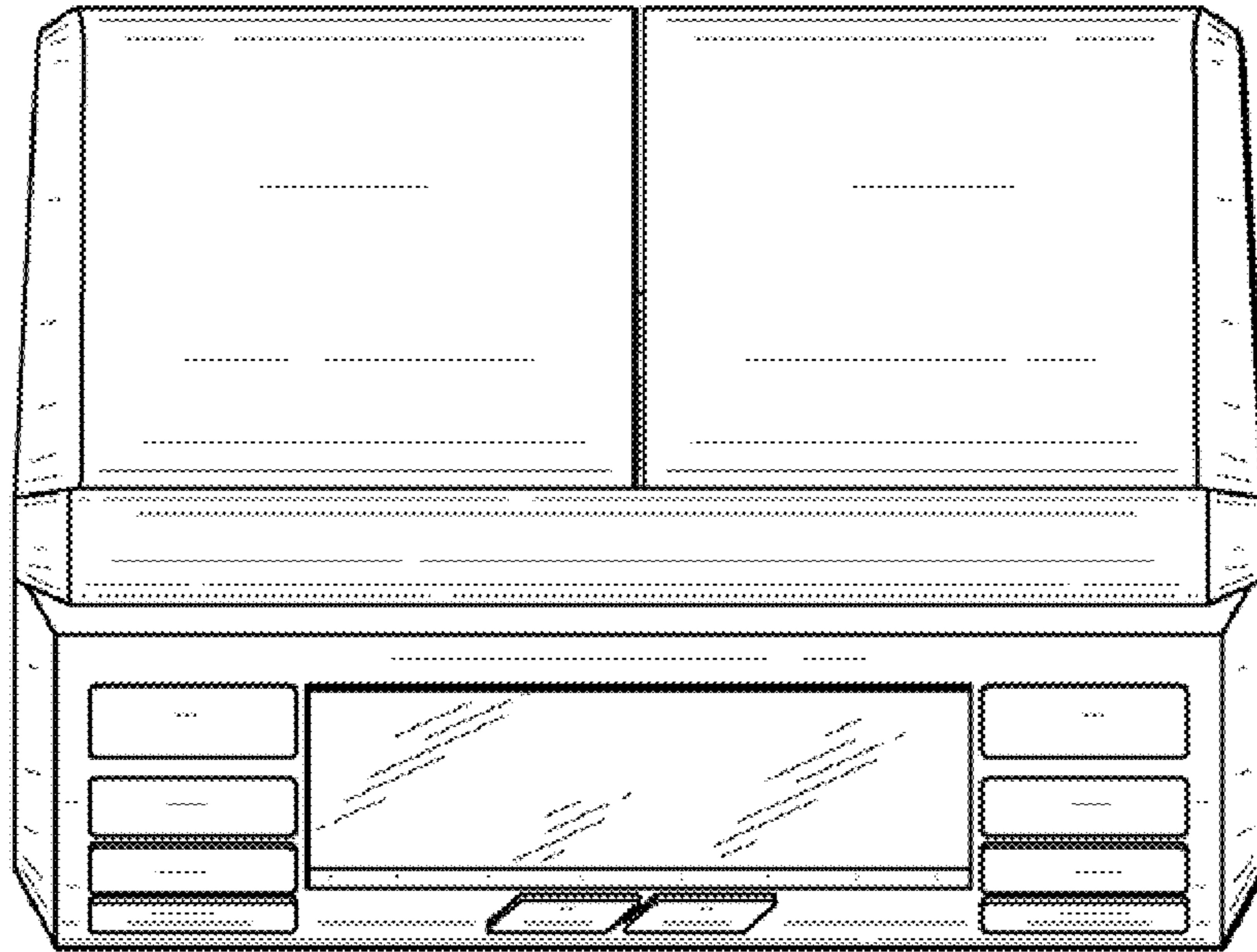


FIG. 7

