

US00D585011S

(12) **United States Design Patent**  
**Ziaylek**

(10) **Patent No.:** **US D585,011 S**  
(45) **Date of Patent:** **\*\* Jan. 20, 2009**

(54) **LADDER STORING APPARATUS FOR USE WITH AN EMERGENCY VEHICLE**

(76) Inventor: **Michael P. Ziaylek**, 15 Cold Spring Ave., Yardley, PA (US) 19067

(\*\*) Term: **14 Years**

(21) Appl. No.: **29/294,078**

(22) Filed: **Dec. 21, 2007**

(51) **LOC (9) Cl.** ..... **12-06**

(52) **U.S. Cl.** ..... **D12/223**

(58) **Field of Classification Search** ..... D12/223, D12/13, 400; 182/127

See application file for complete search history.

(56) **References Cited**

U.S. PATENT DOCUMENTS

3,411,607	A *	11/1968	Often	.....	182/76
5,024,293	A *	6/1991	Yang et al.	.....	182/93
5,791,857	A *	8/1998	Ziaylek, Jr. et al.	.....	414/462
7,137,479	B2 *	11/2006	Ziaylek et al.	.....	182/127
2006/0076189	A1 *	4/2006	Ziaylek et al.	.....	182/127
2007/0062991	A1 *	3/2007	Long	.....	224/402
2007/0119655	A1 *	5/2007	Caudill	.....	182/97
2007/0240936	A1 *	10/2007	Brookshire et al.	.....	182/127

\* cited by examiner

*Primary Examiner*—Holly H Baynham

*Assistant Examiner*—Sheryl Lane

(74) *Attorney, Agent, or Firm*—Sperry, Zoda & Kane

(57) **CLAIM**

I claim the ornamental design for a ladder storing apparatus for use with an emergency vehicle, as shown and described.

**DESCRIPTION**

FIG. 1 is a three-quarter front/side perspective embodying my new design;

FIG. 2 is a front plan view shown in the deployed position;

FIG. 3 is rear plan view shown in the deployed position;

FIG. 4 is a side plan view from the left of FIG. 2 in the deployed position;

FIG. 5 is a side plan view from the right of FIG. 2 in the deployed position;

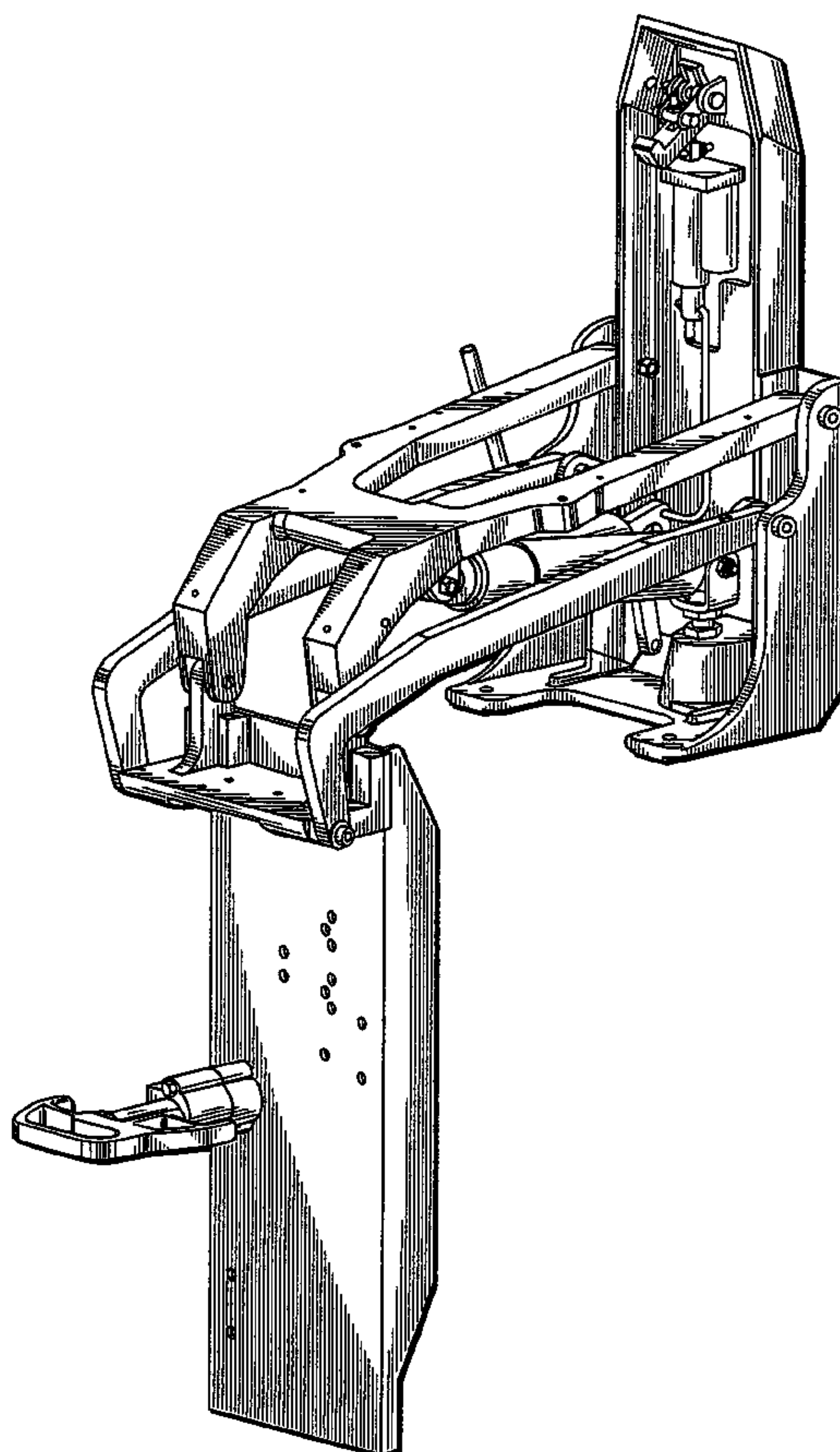
FIG. 6 is top plan;

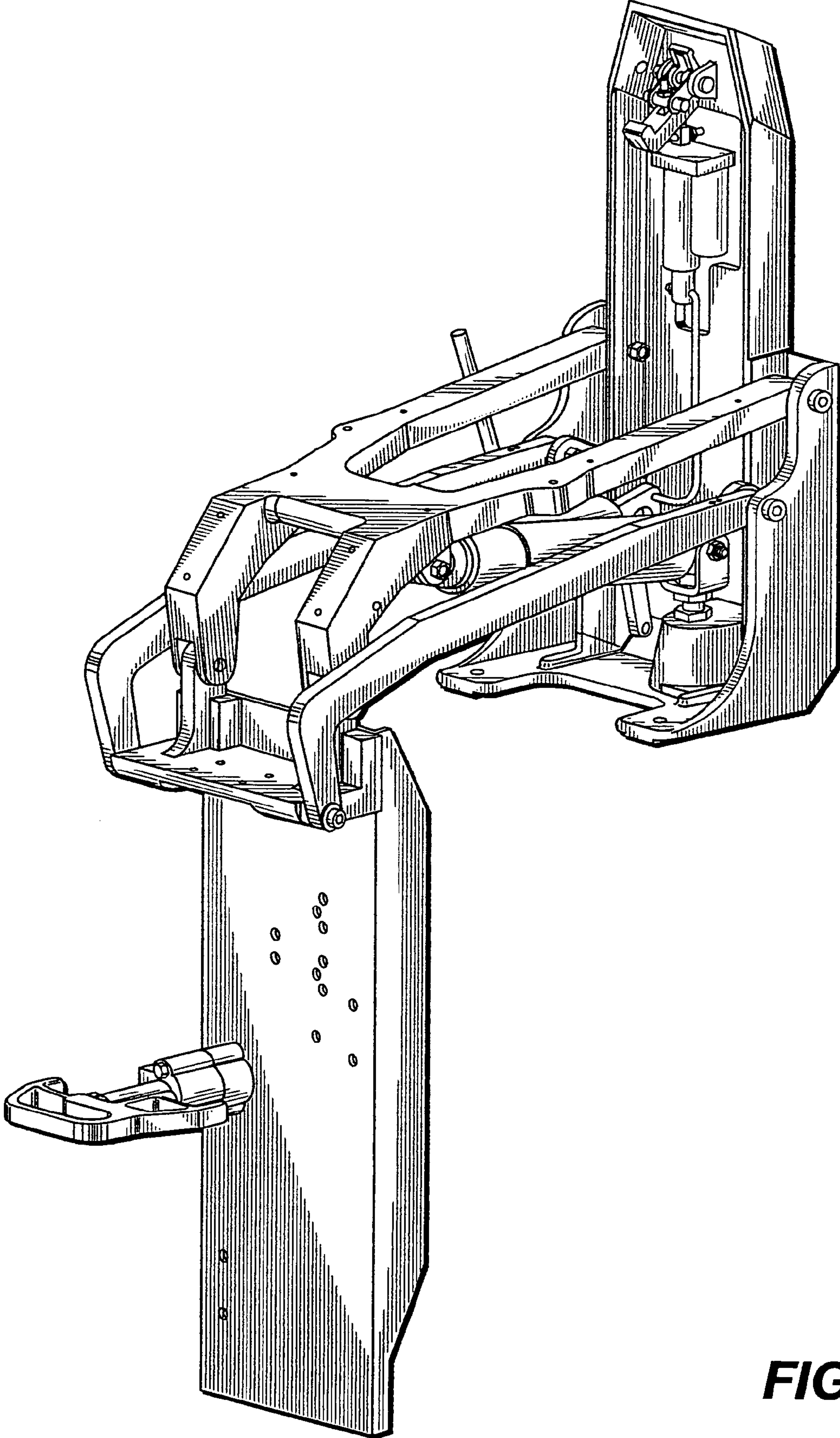
FIG. 7 is a bottom plan;

FIG. 8 is the same configuration shown in FIG. 2 but shown in the collapsed or storage position; and,

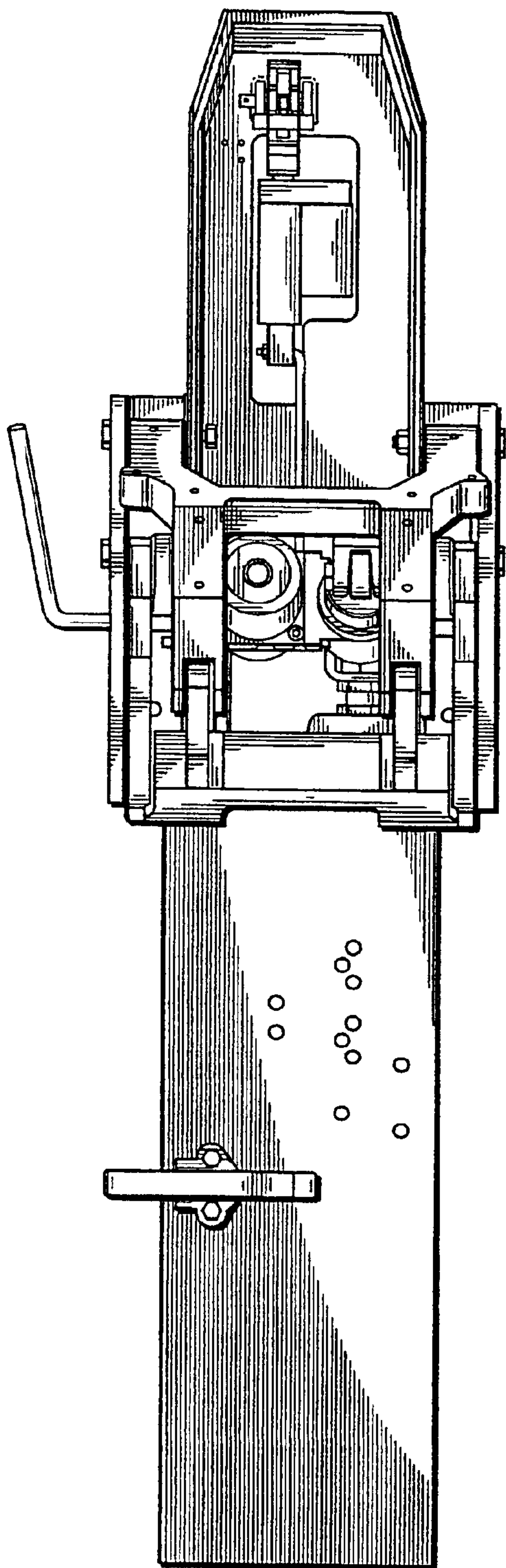
FIG. 9 is similar to FIG. 5 but shown in the storage position.

**1 Claim, 6 Drawing Sheets**

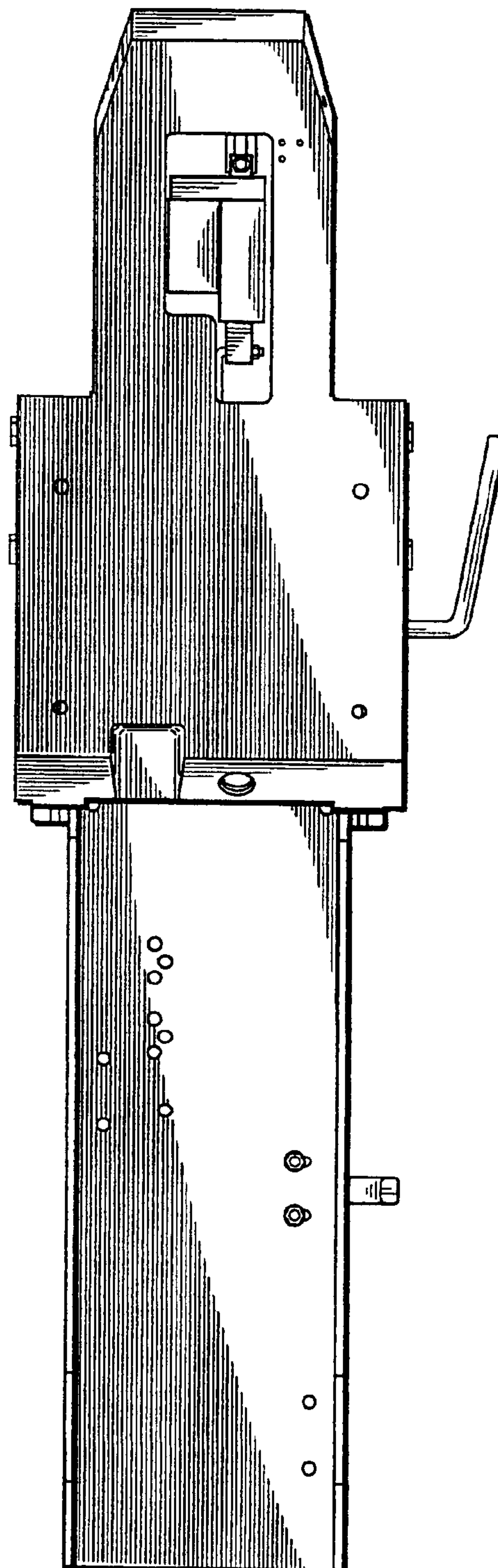




**FIG. 1**

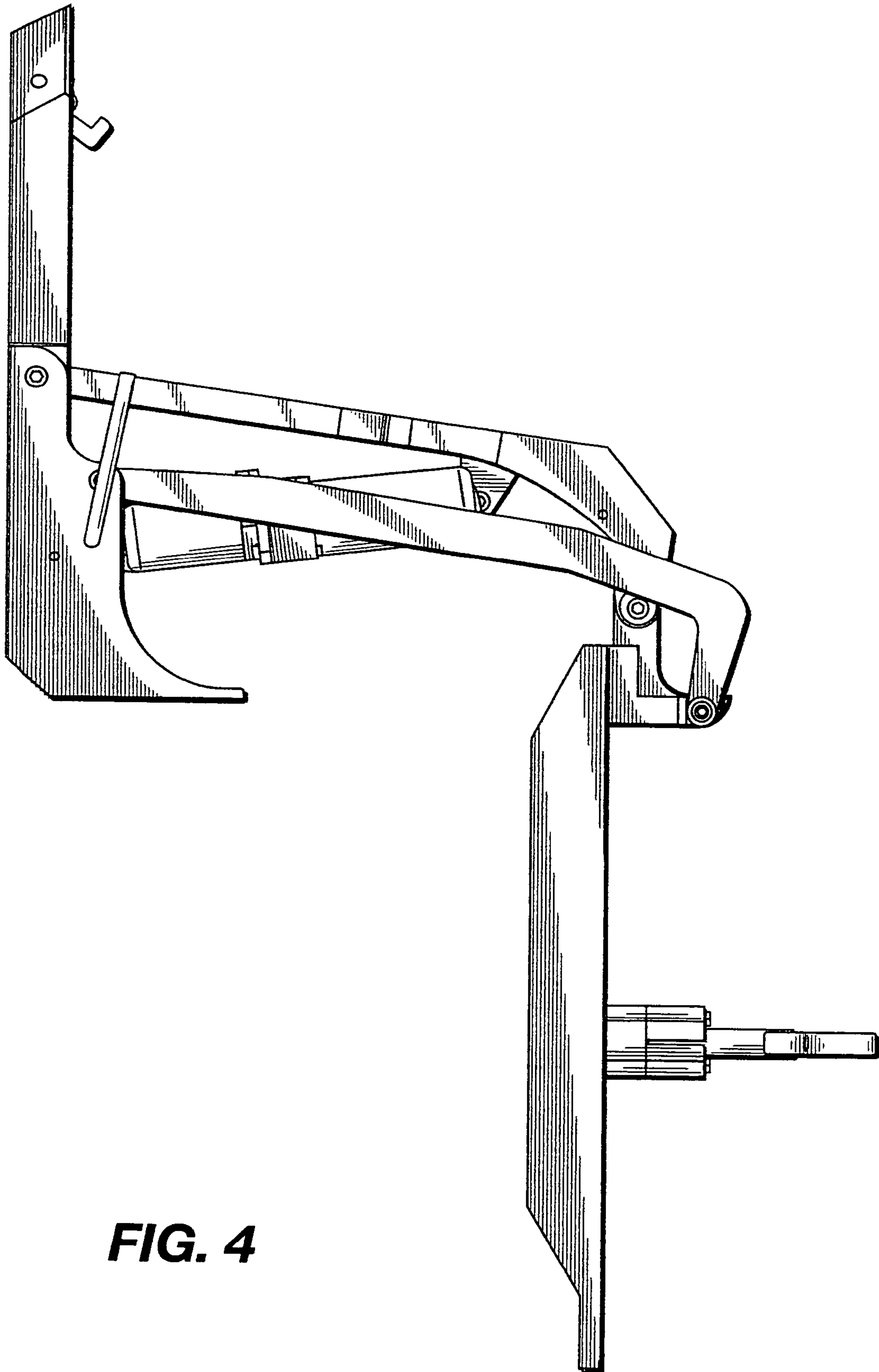


**FIG. 2**

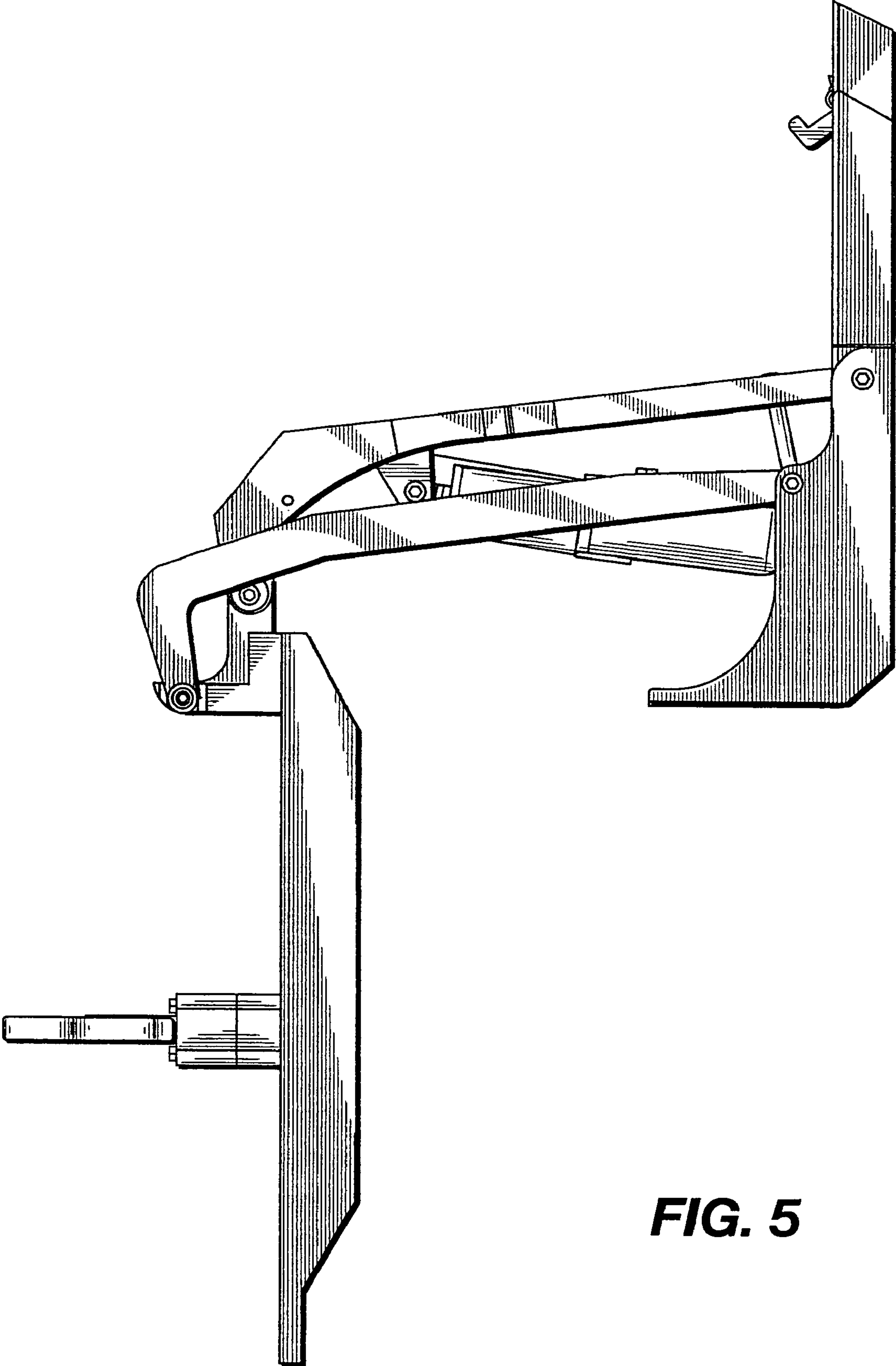


**FIG. 3**

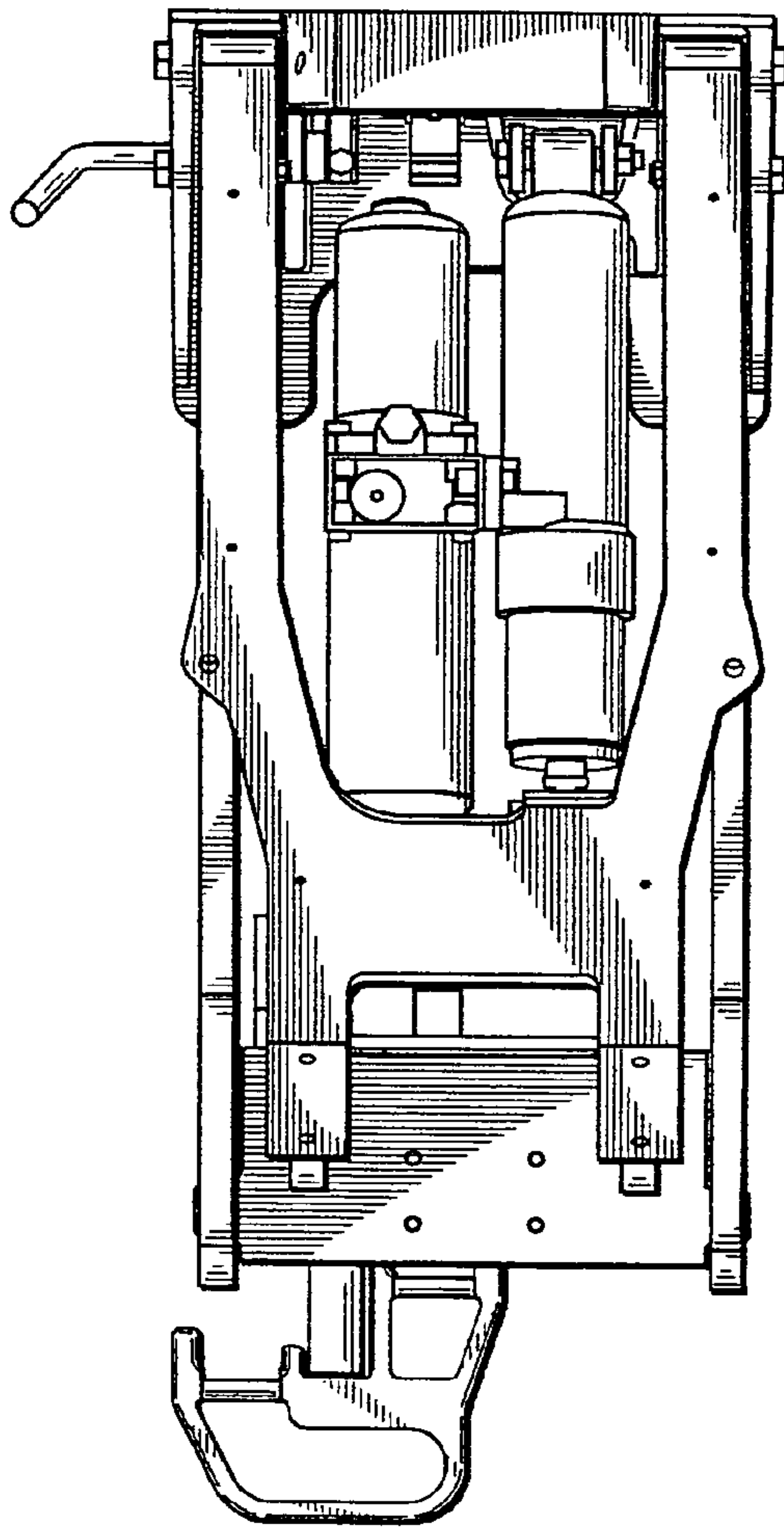




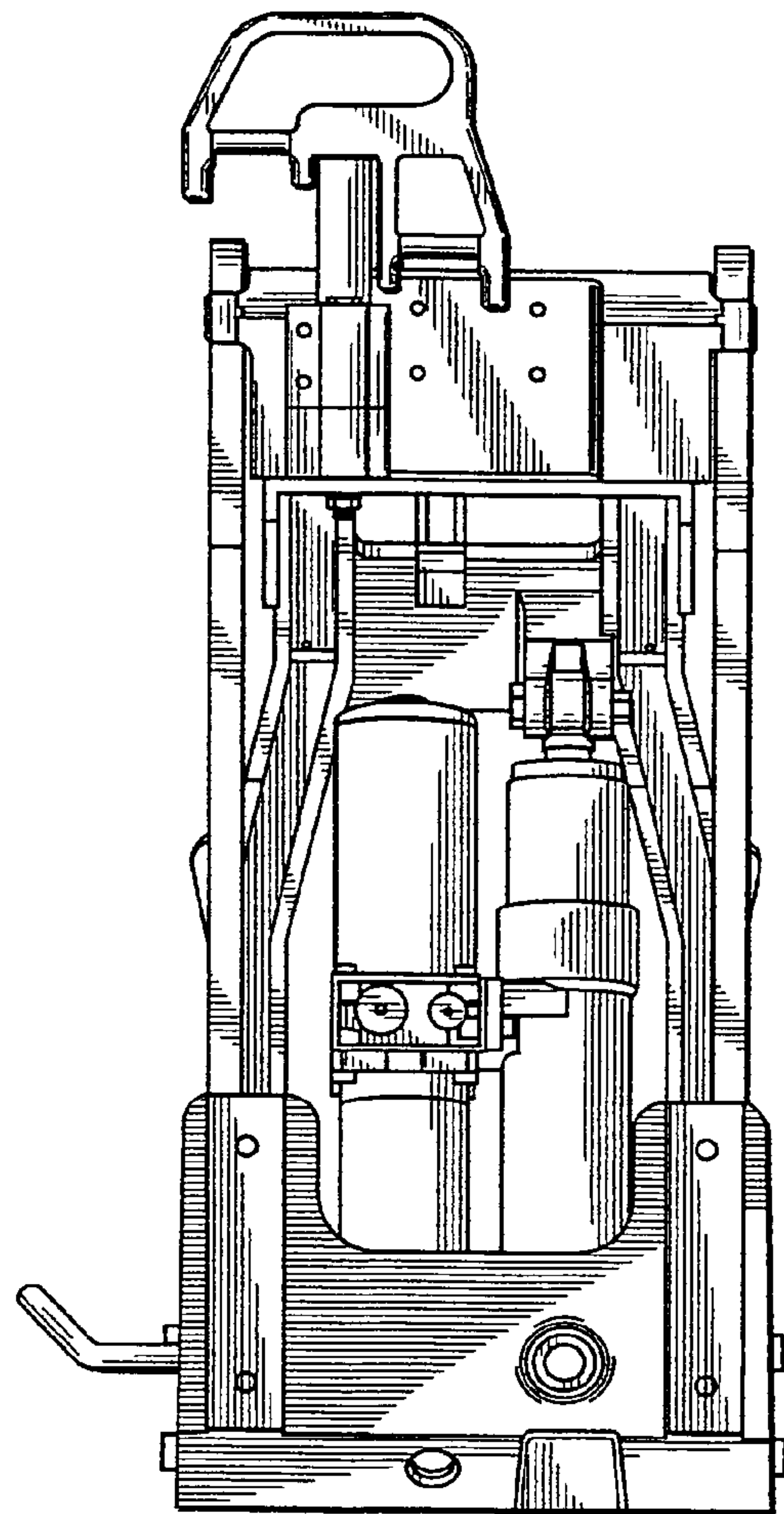
**FIG. 4**



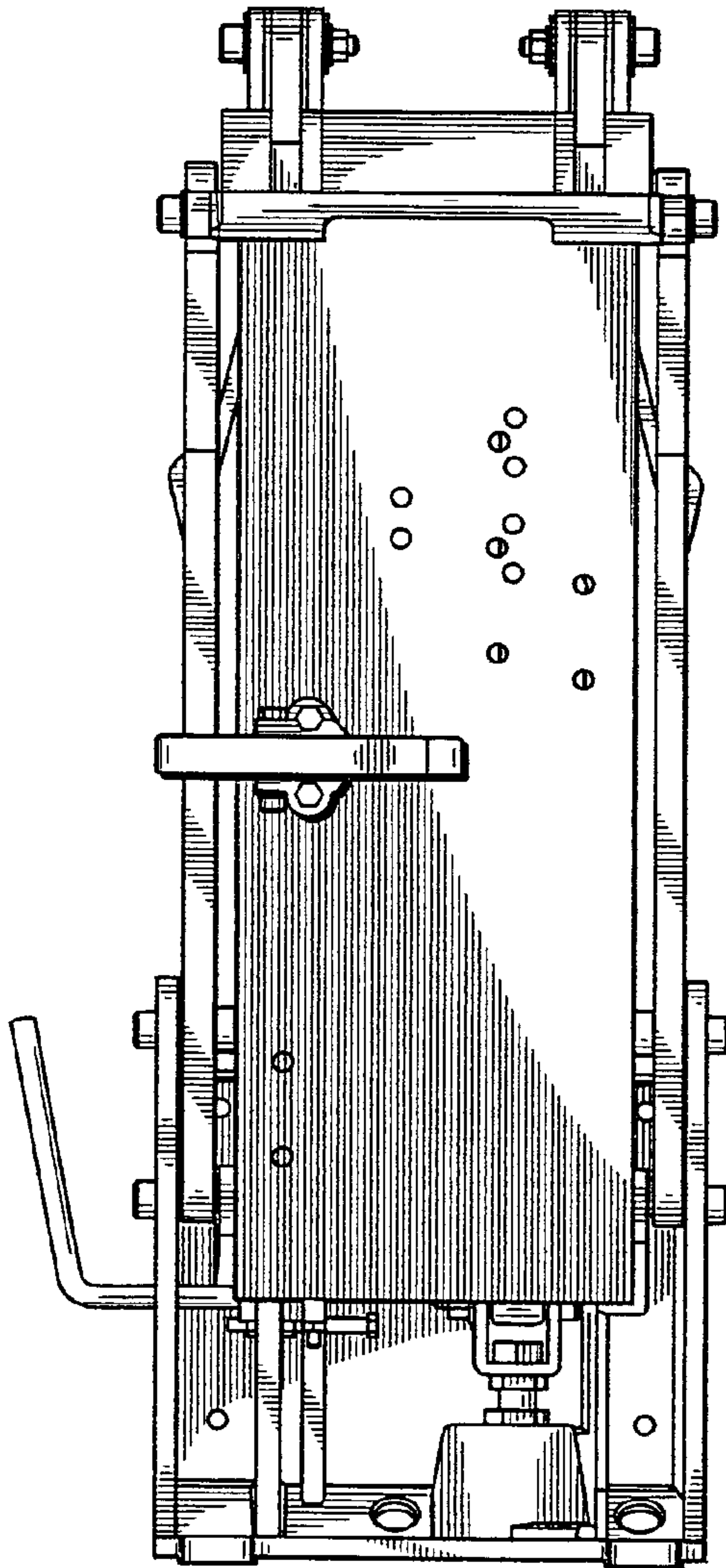
**FIG. 5**



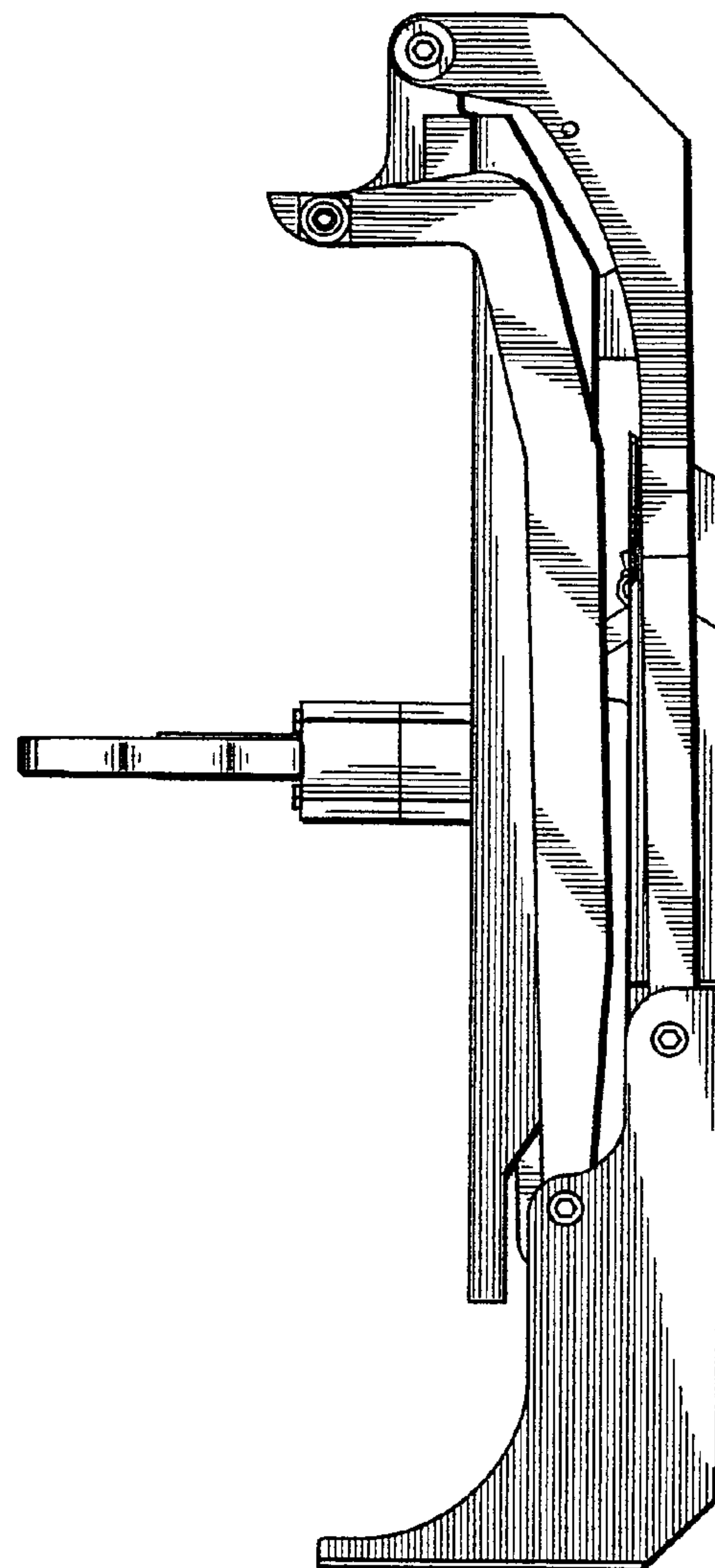
**FIG. 6**



**FIG. 7**



**FIG. 8**



**FIG. 9**