



US00D585010S

(12) **United States Design Patent**
Pollmann

(10) **Patent No.:** **US D585,010 S**
(45) **Date of Patent:** **** Jan. 20, 2009**

(54) **WHEEL OR WHEEL COVER**

(75) Inventor: **Gert Pollmann**, Boehmfeld (DE)

(73) Assignee: **Daimler AG**, Stuttgart (DE)

(**) Term: **14 Years**

(21) Appl. No.: **29/309,422**

(22) Filed: **Aug. 14, 2008**

(30) **Foreign Application Priority Data**

Feb. 22, 2008 (EM) 000884077-0003

(51) **LOC (9) Cl.** **12-16**

(52) **U.S. Cl.** **D12/211**

(58) **Field of Classification Search** D12/204-213;
301/37.101, 64.101, 65, 64.201

See application file for complete search history.

(56) **References Cited**

U.S. PATENT DOCUMENTS

D500,005 S * 12/2004 van Hooydonk D12/211
D516,991 S * 3/2006 Guevara D12/211
D526,948 S * 8/2006 Truebsbach D12/211
D527,333 S * 8/2006 Blasi D12/211

D531,949 S * 11/2006 Arora D12/209
D533,128 S * 12/2006 Aydin D12/209
D533,827 S * 12/2006 Aydin D12/211
D535,603 S * 1/2007 Guevara D12/209
D546,748 S * 7/2007 Young D12/211
D560,588 S * 1/2008 Cheng D12/209
D569,323 S * 5/2008 Laengerer D12/211
D572,186 S * 7/2008 Viandante D12/211

* cited by examiner

Primary Examiner—Stacia Cadmus

(74) *Attorney, Agent, or Firm*—Crowell & Moring LLP

(57) **CLAIM**

The ornamental design for a wheel or wheel cover, as shown and described.

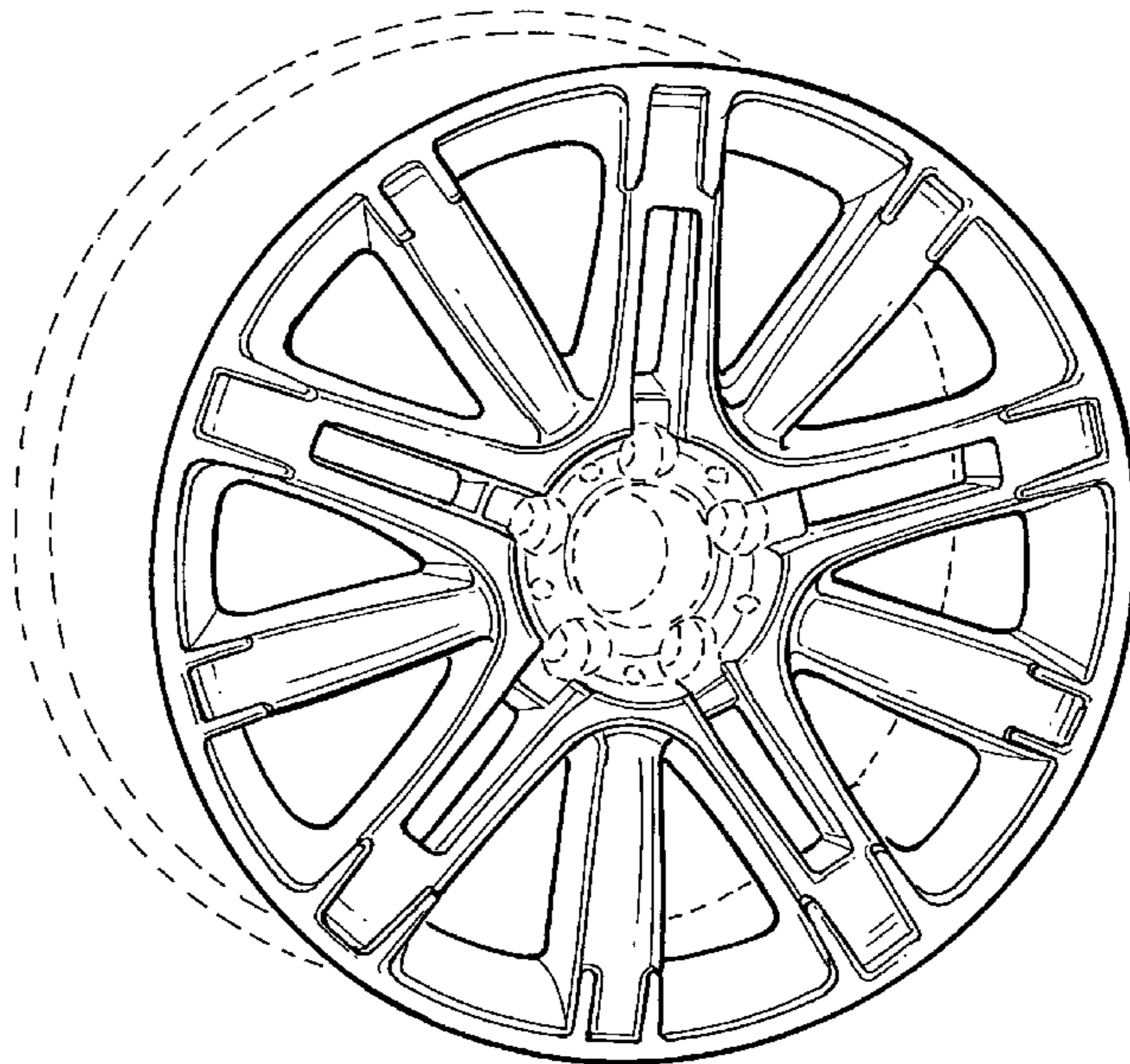
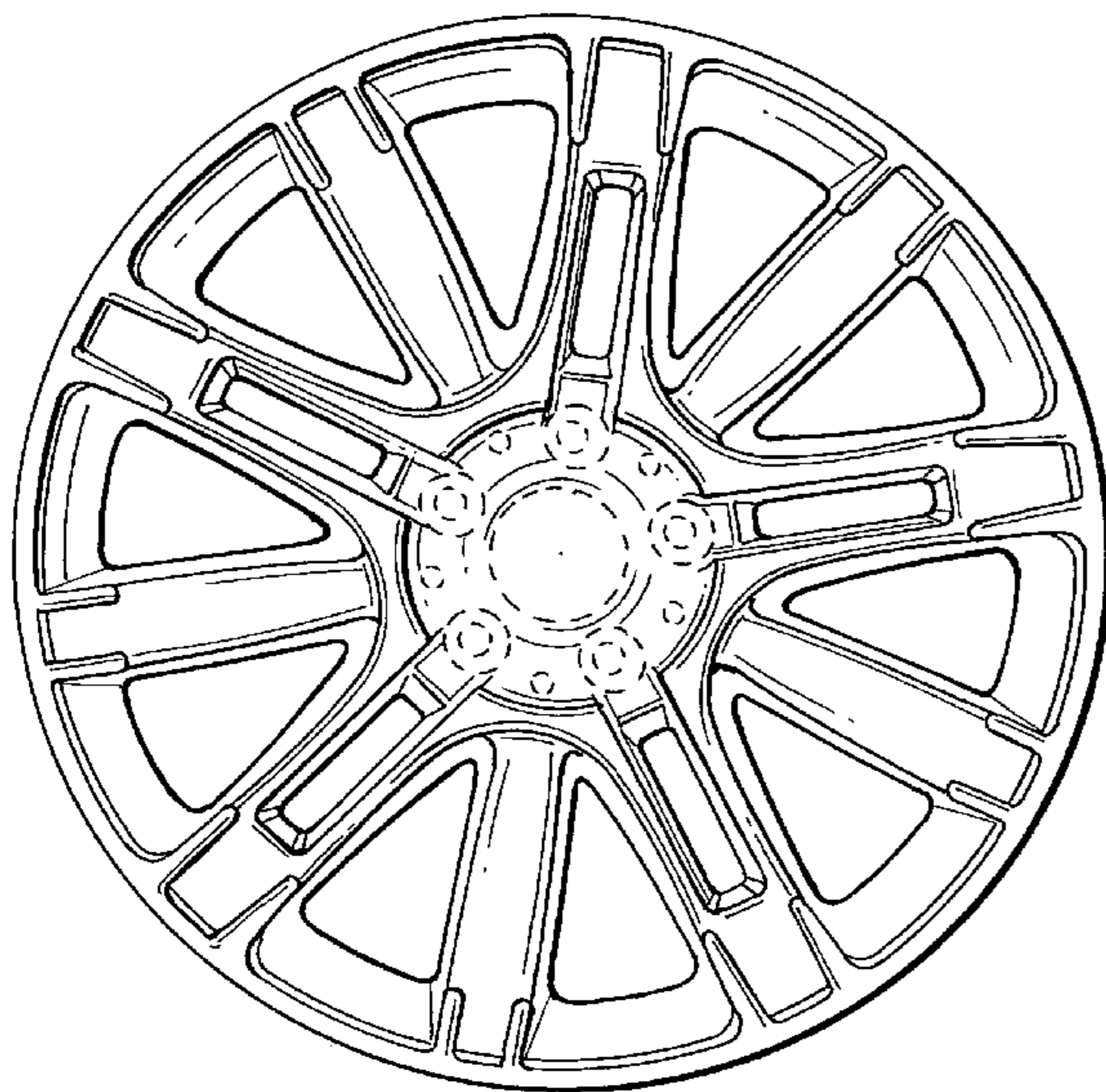
DESCRIPTION

FIG. 1 is a front view of a wheel or wheel cover according to my novel design; and,

FIG. 2 is a perspective view thereof.

The broken line showing of the rear portion of the wheel rim and the central hub area is included for the purpose of illustrating environment and forms no part of the claimed design.

1 Claim, 1 Drawing Sheet



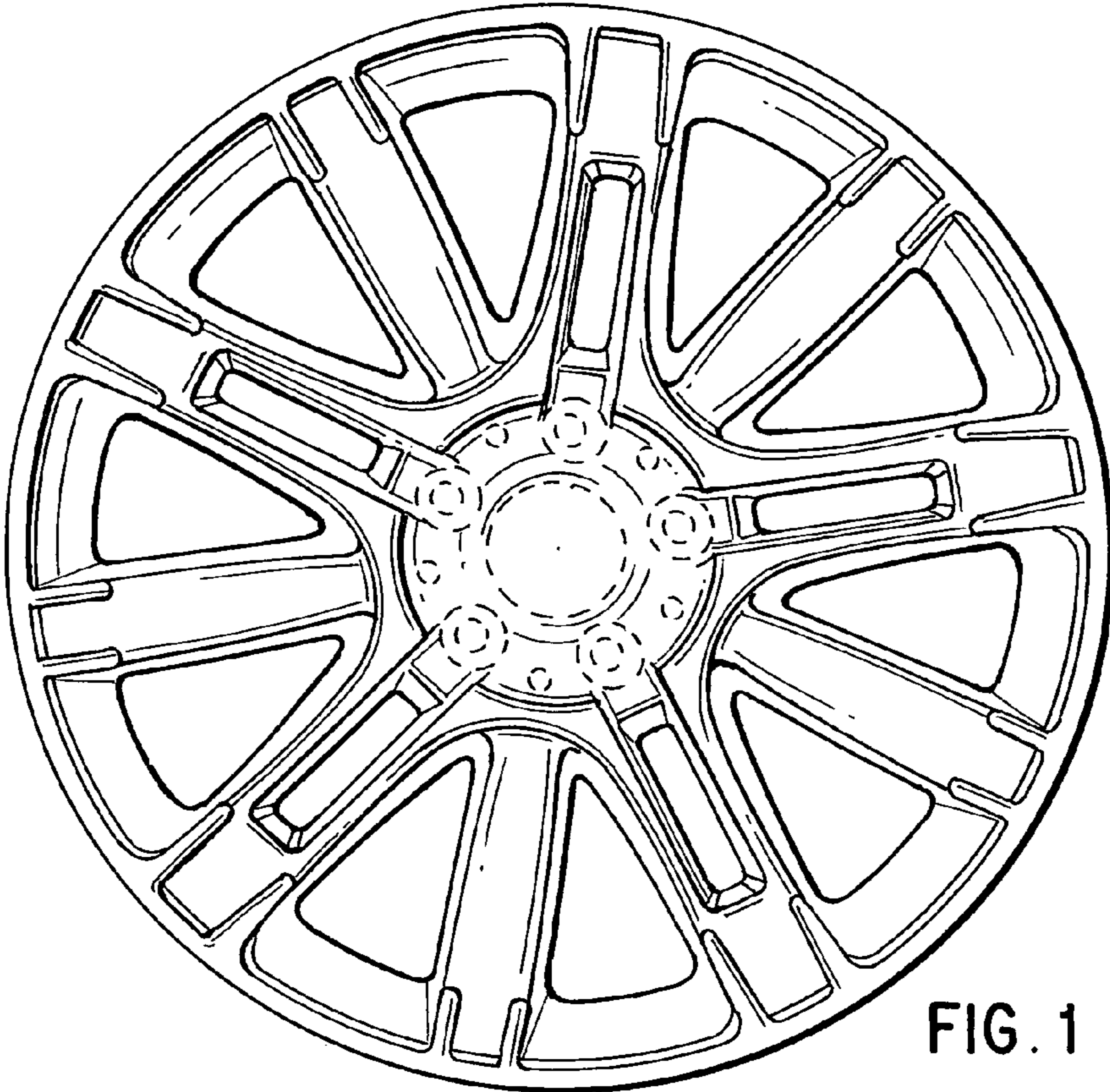


FIG. 1

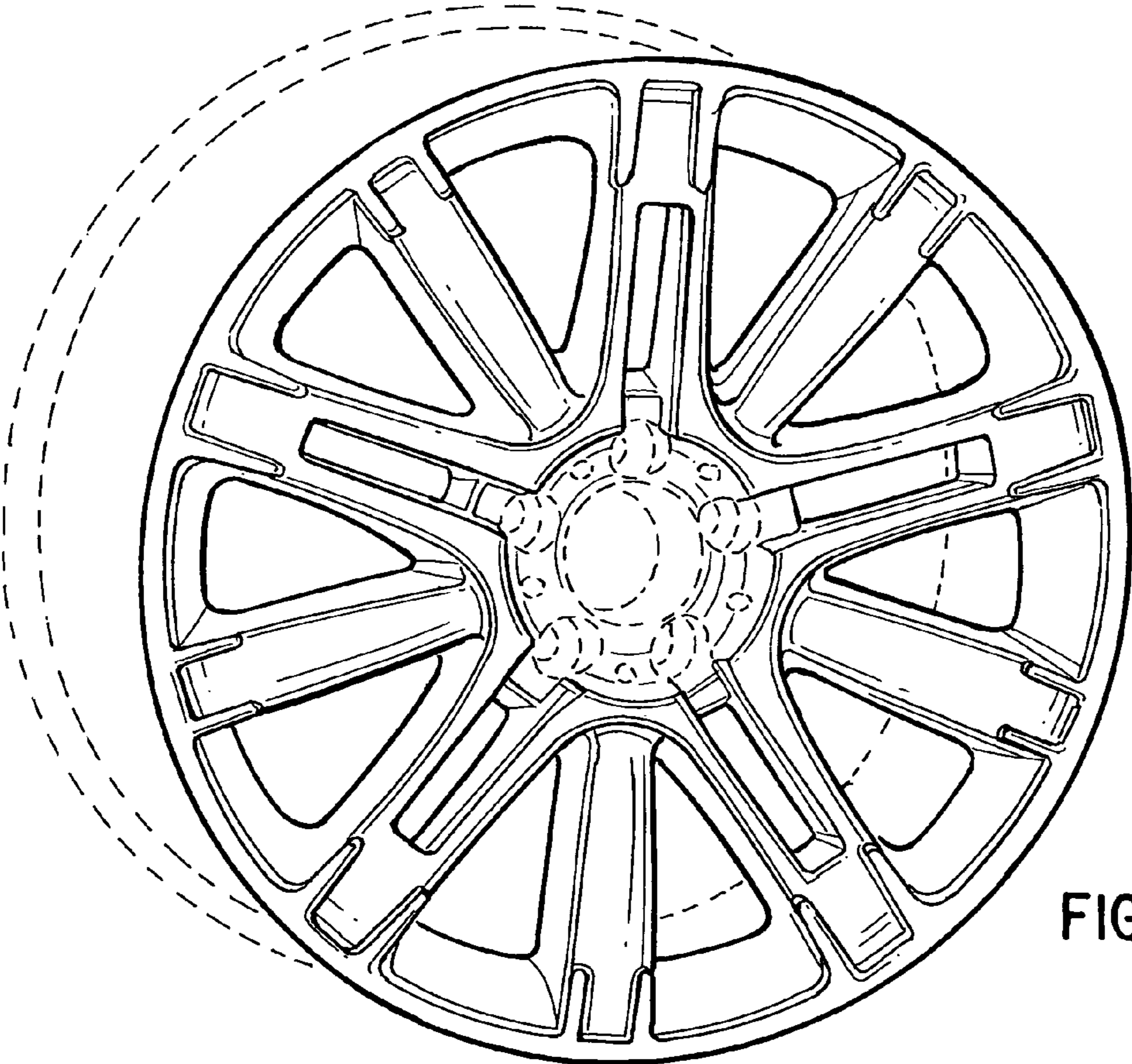


FIG. 2